



US00D768488S

(12) **United States Design Patent** (10) **Patent No.:** **US D768,488 S**  
**Gorsic** (45) **Date of Patent:** **\*\* Oct. 11, 2016**

(54) **DEVICE TO ENABLE DRINKING FROM A CAN**

(71) Applicant: **Canper d.o.o.**, Ptuj (SI)

(72) Inventor: **Bojan Gorsic**, Kranj (SI)

(73) Assignee: **Canper d.o.o.**, Ptuj (SI)

(\*\*) Term: **14 Years**

(21) Appl. No.: **29/510,695**

(22) Filed: **Dec. 2, 2014**

(30) **Foreign Application Priority Data**

Jun. 16, 2014 (WO) ..... 820183901

(51) **LOC (10) Cl.** ..... **07-01**

(52) **U.S. Cl.**  
USPC ..... **D9/447; D7/398; D7/396.2; D7/392**

(58) **Field of Classification Search**  
USPC ..... **D7/396.2, 510, 511, 300.2, 398, 397, D7/392, 300; D9/435, 447; 220/713, 731, 220/287; 215/387, 389**  
CPC ..... **A47G 19/2211**  
See application file for complete search history.

(56) **References Cited**

**U.S. PATENT DOCUMENTS**

4,579,257 A \* 4/1986 Brandlein ..... B65D 25/48  
220/285  
4,679,702 A \* 7/1987 Maccarone ..... B65D 25/48  
220/717  
4,703,873 A \* 11/1987 Geren ..... B65D 47/147  
220/740  
4,961,510 A \* 10/1990 Dvoracek ..... B65D 25/48  
220/258.2  
5,088,614 A \* 2/1992 Dumestre ..... B65D 43/0212  
220/254.3

5,467,888 A \* 11/1995 Brandstrom ..... B65D 25/48  
220/319  
5,720,408 A \* 2/1998 Schmid ..... B65D 25/48  
215/319  
D460,359 S \* 7/2002 Olsen ..... D9/447  
D464,262 S \* 10/2002 Drennow ..... D9/446  
D469,992 S \* 2/2003 Lasota ..... D6/710  
7,431,175 B2 \* 10/2008 Heilos ..... A47G 19/2272  
215/389  
D629,243 S \* 12/2010 Meyl ..... D7/305  
D630,510 S \* 1/2011 Yacktman ..... D9/447  
D637,079 S \* 5/2011 Brown ..... D9/447  
8,511,507 B1 \* 8/2013 Malik ..... B65D 81/366  
220/703  
D690,596 S \* 10/2013 Logue ..... D9/447  
D696,942 S \* 1/2014 Kim ..... D9/447

(Continued)

*Primary Examiner* — Marianne Pandozzi

(74) *Attorney, Agent, or Firm* — Studebaker & Brackett PC

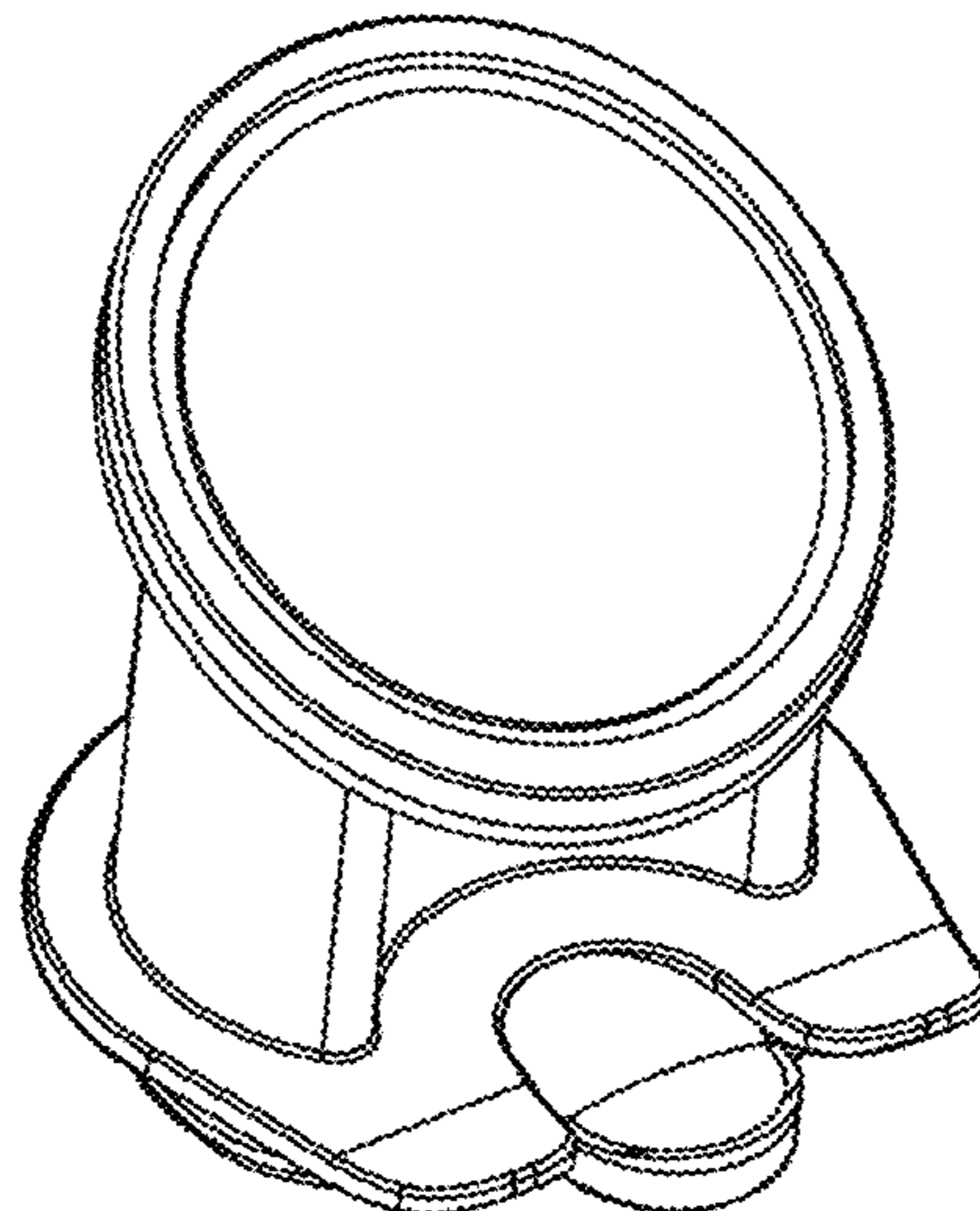
(57) **CLAIM**

The ornamental design for a device to enable drinking from a can, as shown and described.

**DESCRIPTION**

FIG. 1 is a perspective view of a device to enable drinking from a can showing my new design;  
 FIG. 2 is a side view of the upper piece shown in FIG. 1 with the lower piece removed for ease of illustration;  
 FIG. 3 is a side view of the lower piece shown in FIG. 1 with the upper piece removed for ease of illustration;  
 FIG. 4 is a bottom view of the piece shown in FIG. 2;  
 FIG. 5 is a bottom view of the piece shown in FIG. 3;  
 FIG. 6 is a front view of the piece shown in FIG. 2;  
 FIG. 7 is a front view of the piece shown in FIG. 3;  
 FIG. 8 is a rear view of the piece shown in FIG. 2;  
 FIG. 9 is a rear view of the piece shown in FIG. 3;  
 FIG. 10 is a top plan view of the piece shown in FIG. 2; and,  
 FIG. 11 is a top plan view of the piece shown in FIG. 3.

**1 Claim, 6 Drawing Sheets**



# US D768,488 S

Page 2

---

(56)

## References Cited

### U.S. PATENT DOCUMENTS

8,881,938 B2 *	11/2014	Brannock	.....	B65D 47/06
				215/387
D749,949 S *	2/2016	Bruining	.....	D9/447
D702,557 S *	4/2014	Beardsley	.....	D7/317

\* cited by examiner

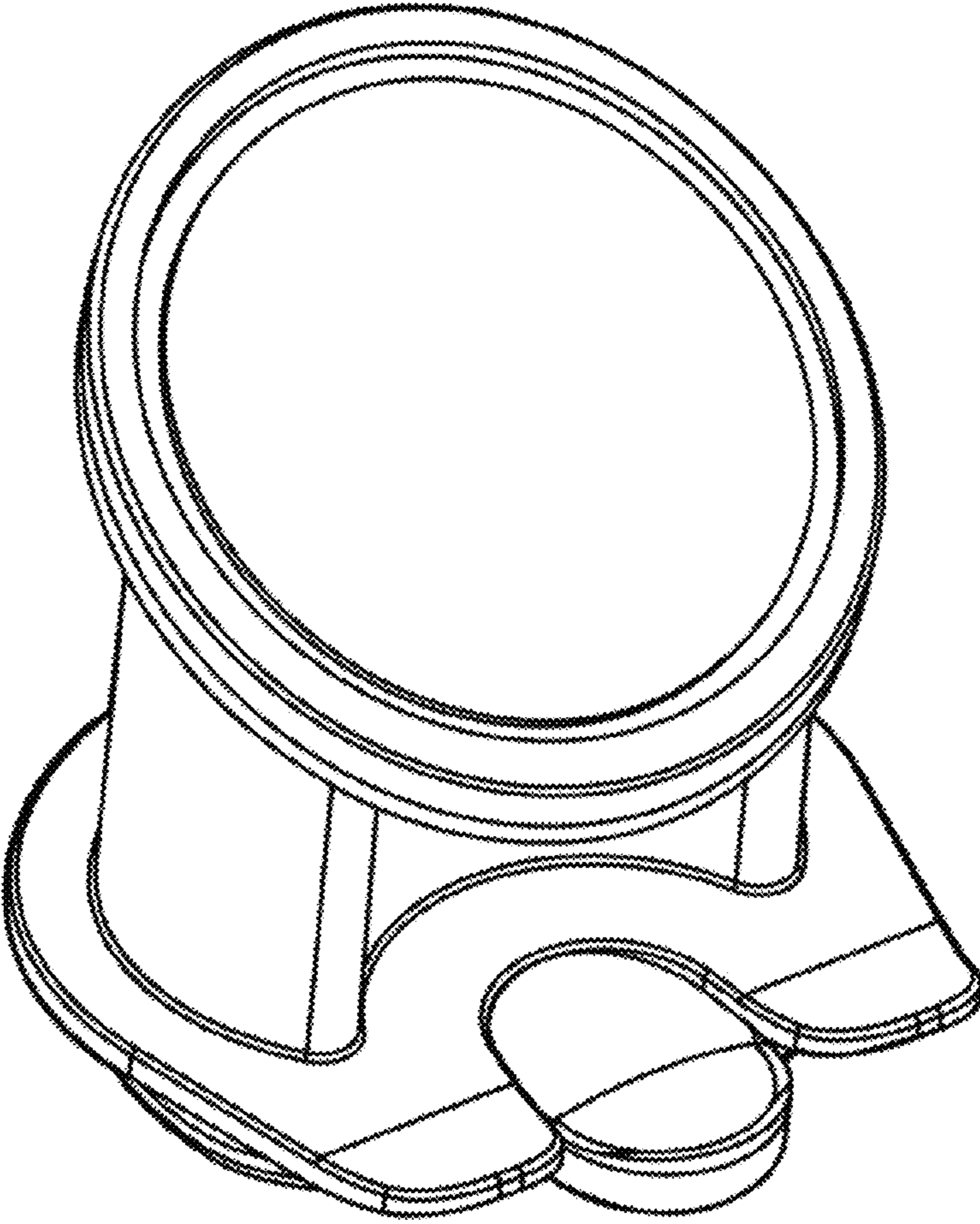


FIG. 1

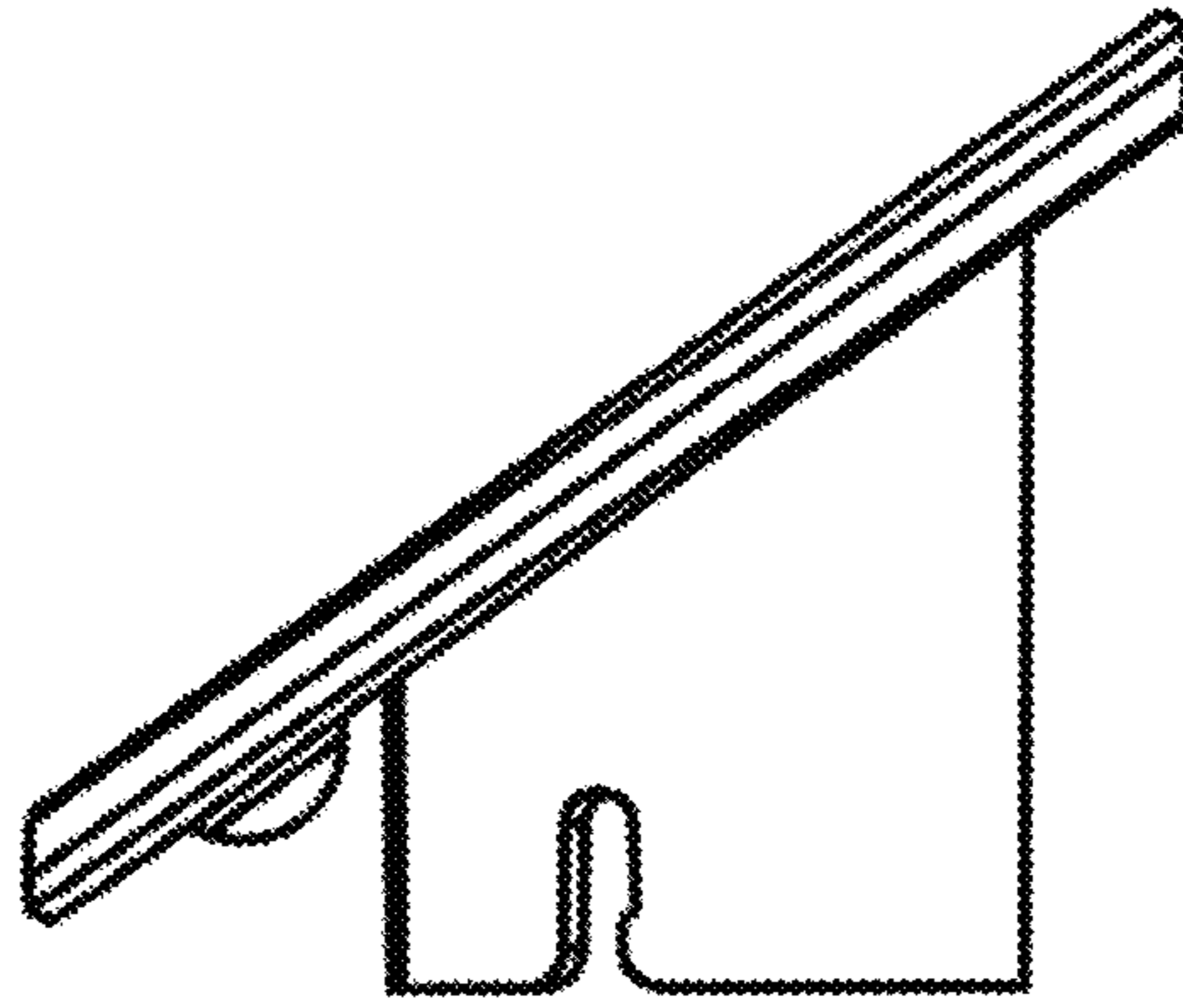


FIG. 2

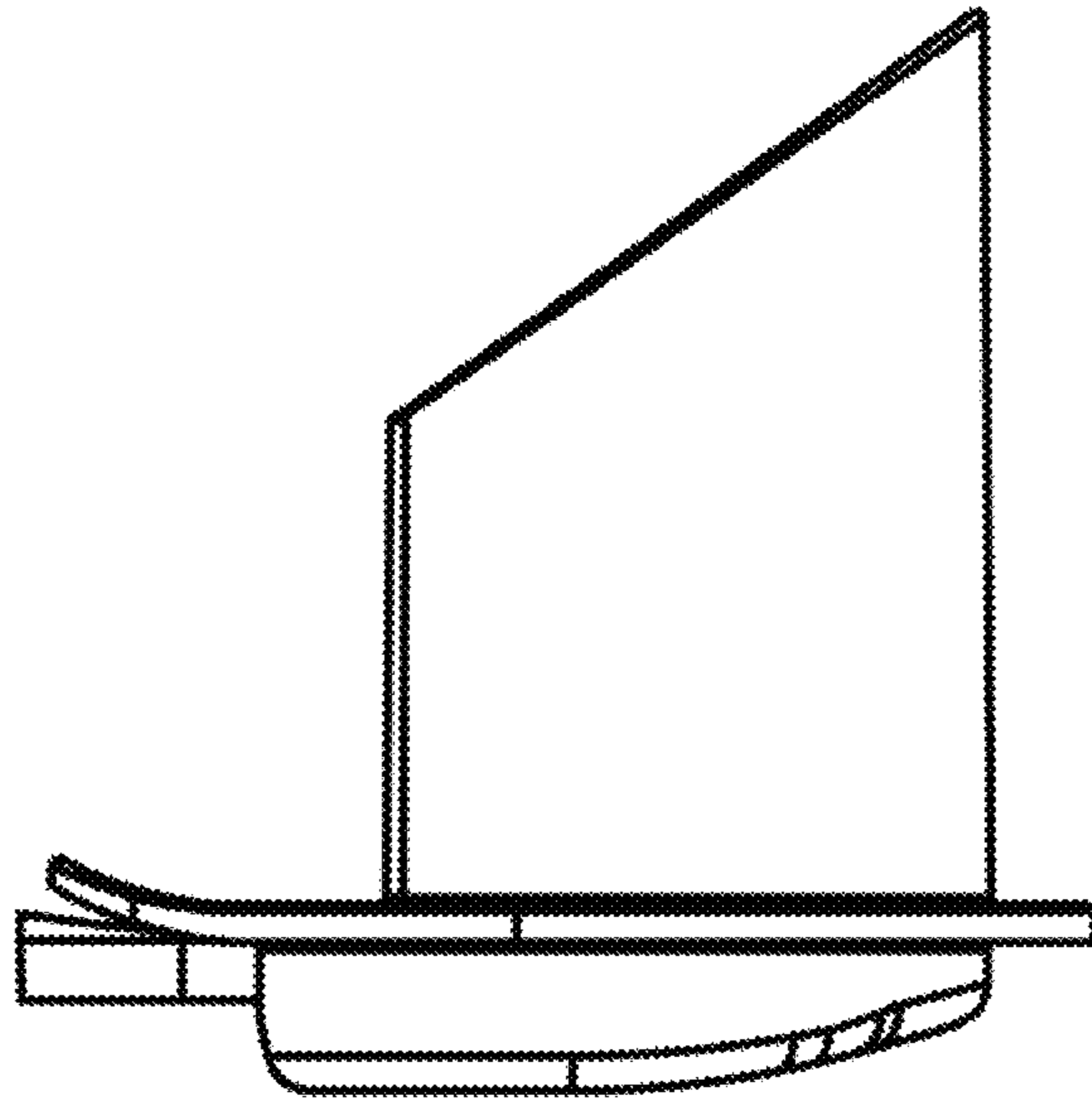


FIG. 3

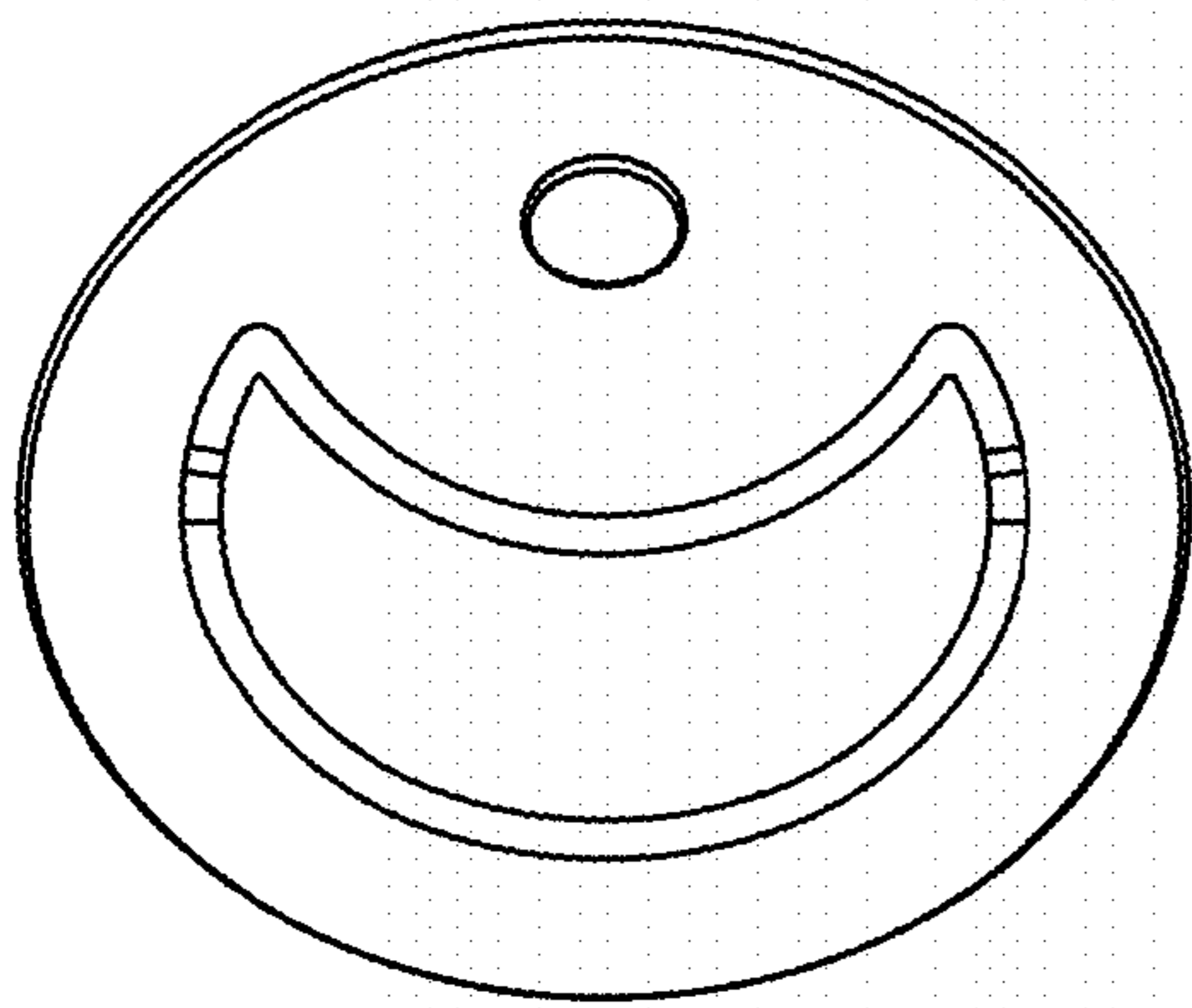


FIG. 4

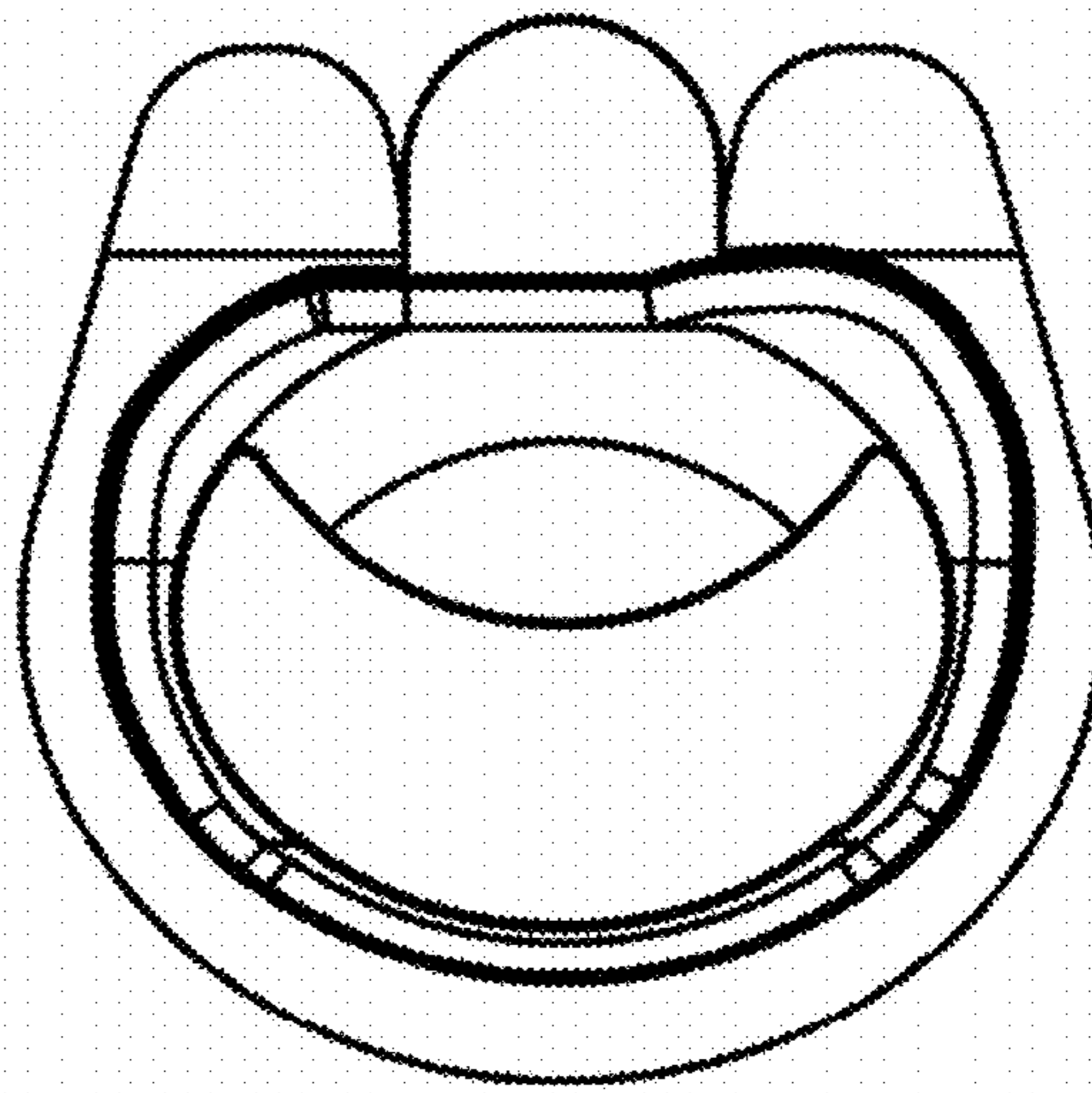


FIG. 5

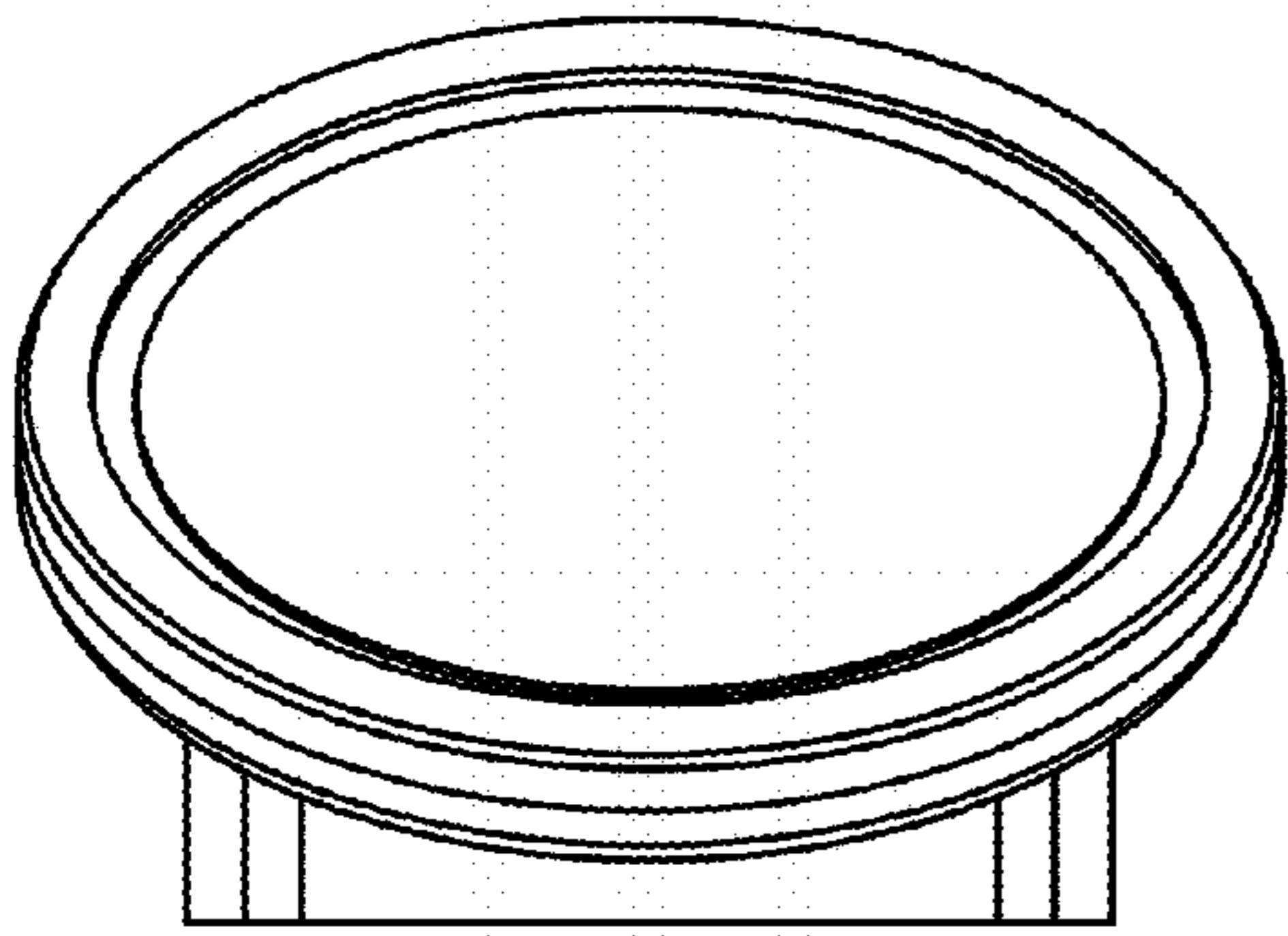


FIG. 6

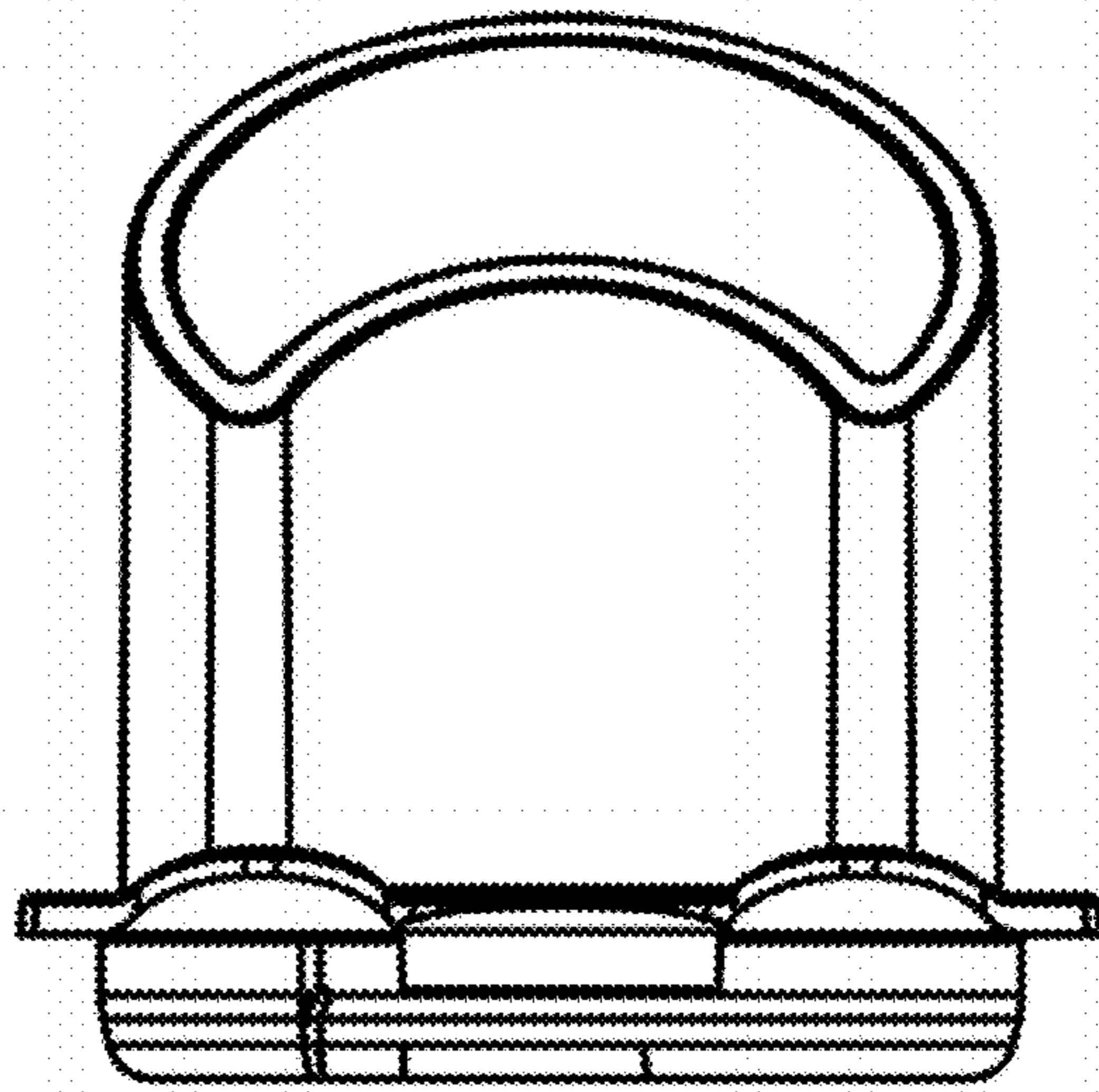


FIG. 7

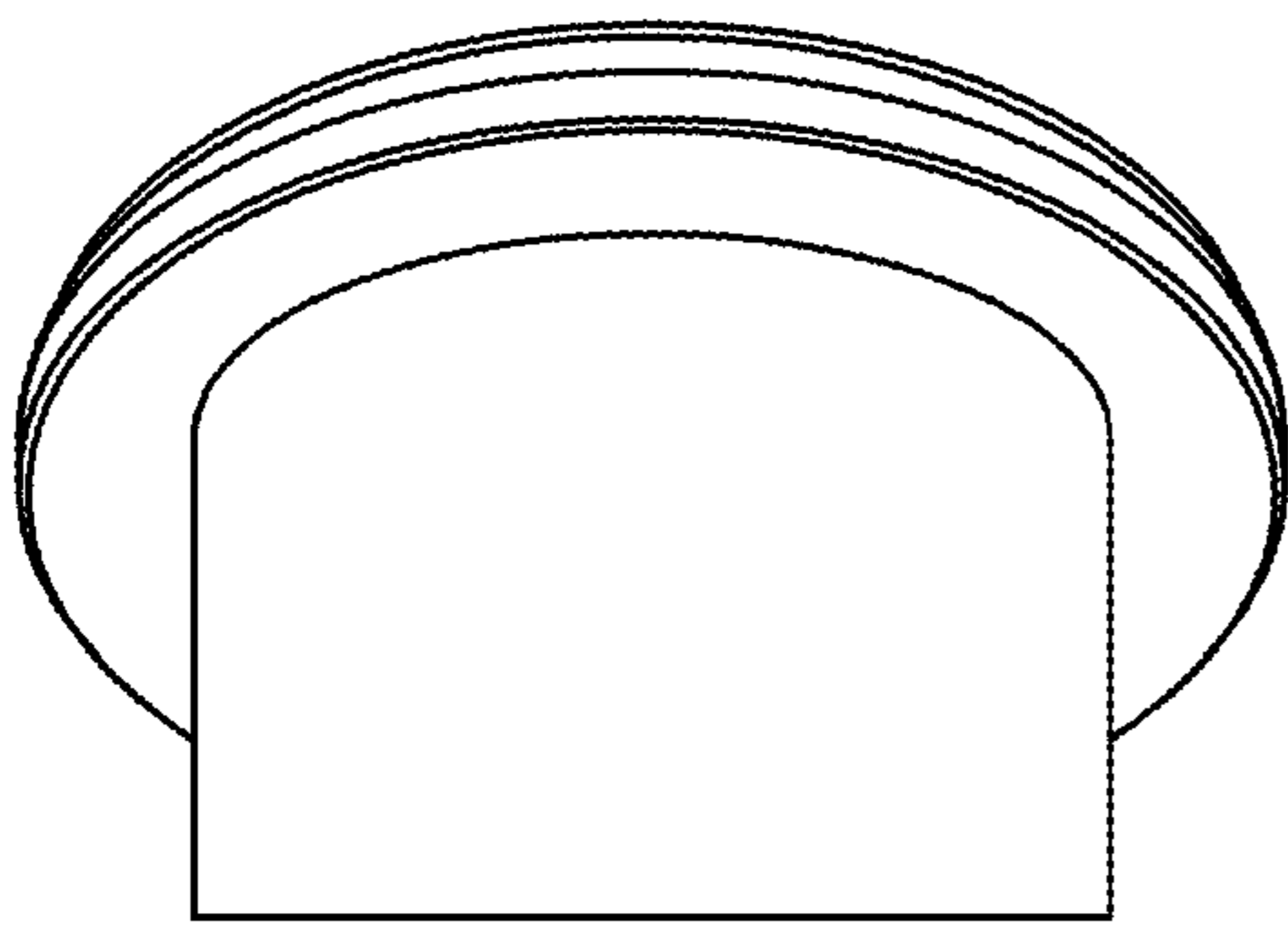


FIG. 8

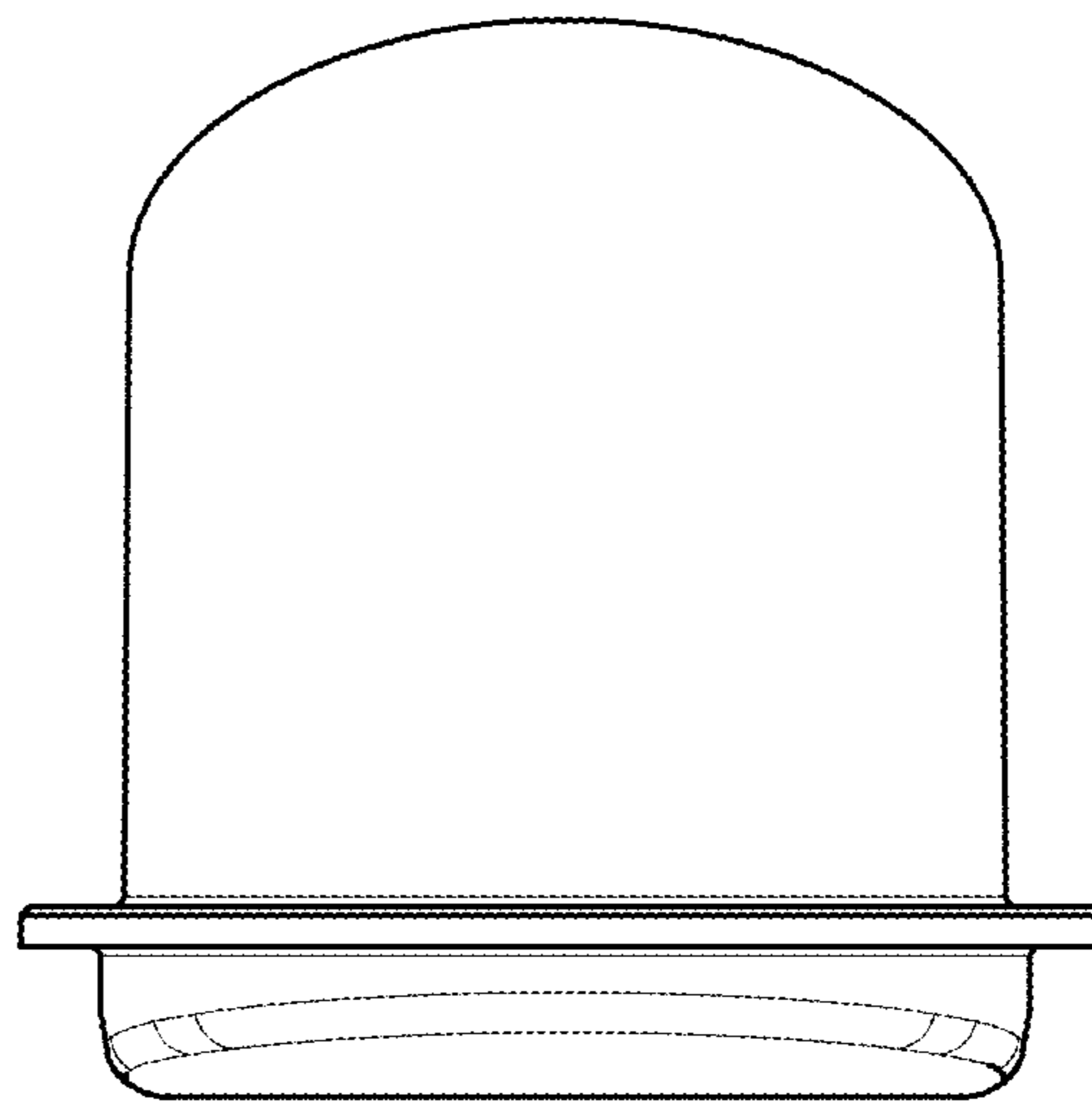


FIG. 9

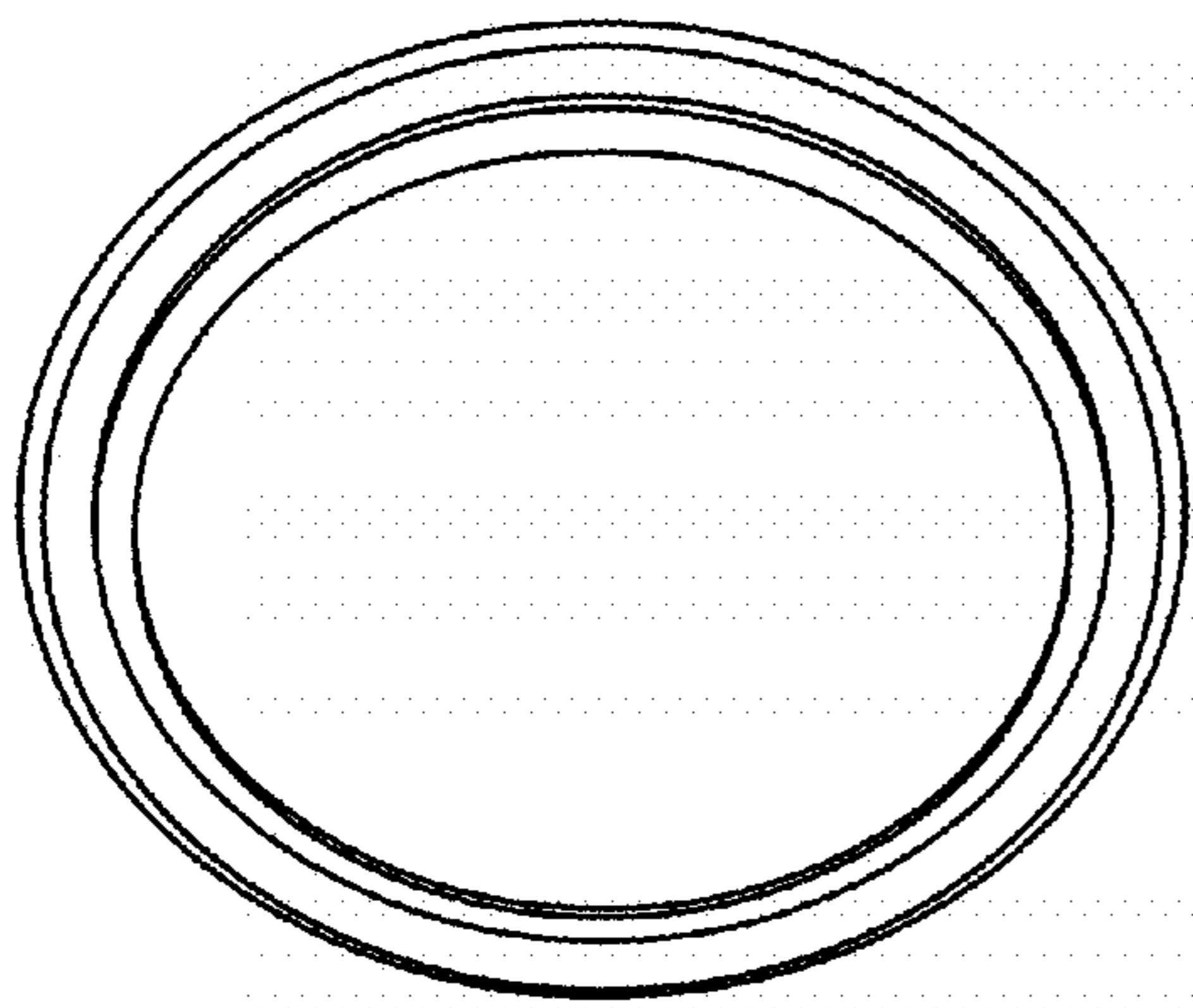


FIG. 10

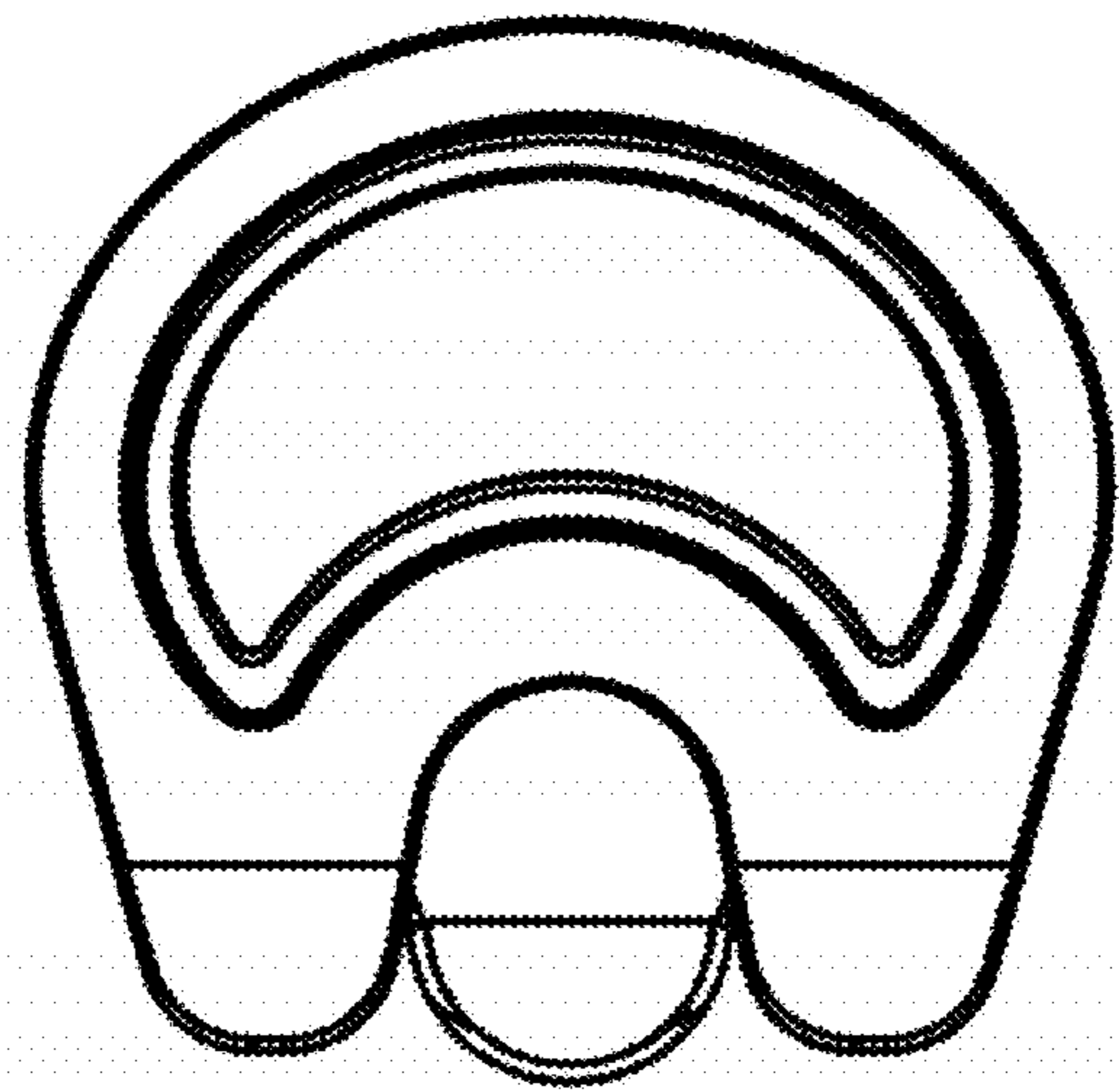


FIG. 11