

US00D768484S

(12) **United States Design Patent** (10) **Patent No.:** **US D768,484 S**
Marina et al. (45) **Date of Patent:** **** Oct. 11, 2016**

(54) **BOTTLE**
(71) Applicant: **PepsiCo, Inc.**, Purchase, NY (US)
(72) Inventors: **Carlos Hernan Marina**, Deerfield Beach, FL (US); **Tucker Hamilton Fort**, New York, NY (US); **Morris Elijah Worden, IV**, New York, NY (US); **Joey Miguel Zeledón**, New York, NY (US)

D289,259 S 4/1987 Strand
D298,592 S 11/1988 Stoop
D313,176 S 12/1990 Okuda et al.
D316,035 S 4/1991 Pepitone
D350,460 S 9/1994 Picozza et al.
5,385,326 A 1/1995 Bidwell
5,626,250 A 5/1997 Dorazio
5,671,586 A 9/1997 Weder
D392,032 S 3/1998 Zaragoza et al.
D410,364 S 6/1999 Ramirez et al.
D414,238 S 9/1999 Kupperman
D420,850 S * 2/2000 Endres D7/396.6

(73) Assignee: **PepsiCo, Inc.**, Purchase, NY (US)

(Continued)

(**) Term: **14 Years**

FOREIGN PATENT DOCUMENTS

(21) Appl. No.: **29/500,942**

WO 2013103589 A1 7/2013

(22) Filed: **Aug. 29, 2014**

Primary Examiner — Robert M Spear

(51) **LOC (10) Cl.** **09-07**

Assistant Examiner — Darcey E Heflin

(52) **U.S. Cl.**

(74) *Attorney, Agent, or Firm* — Sterne, Kessler, Goldstein & Fox P.L.L.C.

USPC **D9/443**

(58) **Field of Classification Search**

(57) **CLAIM**

USPC D7/387, 396.6, 397, 398, 513; D9/418, D9/434-436, 439, 440, 443, 444, 447, 449, D9/454, 455, 499, 738; 215/6, 12.1, 370, 215/372, 386

The ornamental design for a bottle, as shown and described.

CPC B65D 51/2807

DESCRIPTION

See application file for complete search history.

FIG. 1 is a top, front, left perspective view of a bottle showing our new design;
FIG. 2 is a top, right, rear perspective view thereof;
FIG. 3 is a front view thereof;
FIG. 4 is a rear view thereof;
FIG. 5 is a right side view thereof;
FIG. 6 is a left side view thereof;
FIG. 7 is a top view thereof; and,
FIG. 8 is an enlarged, partial, top, front, left perspective view thereof.

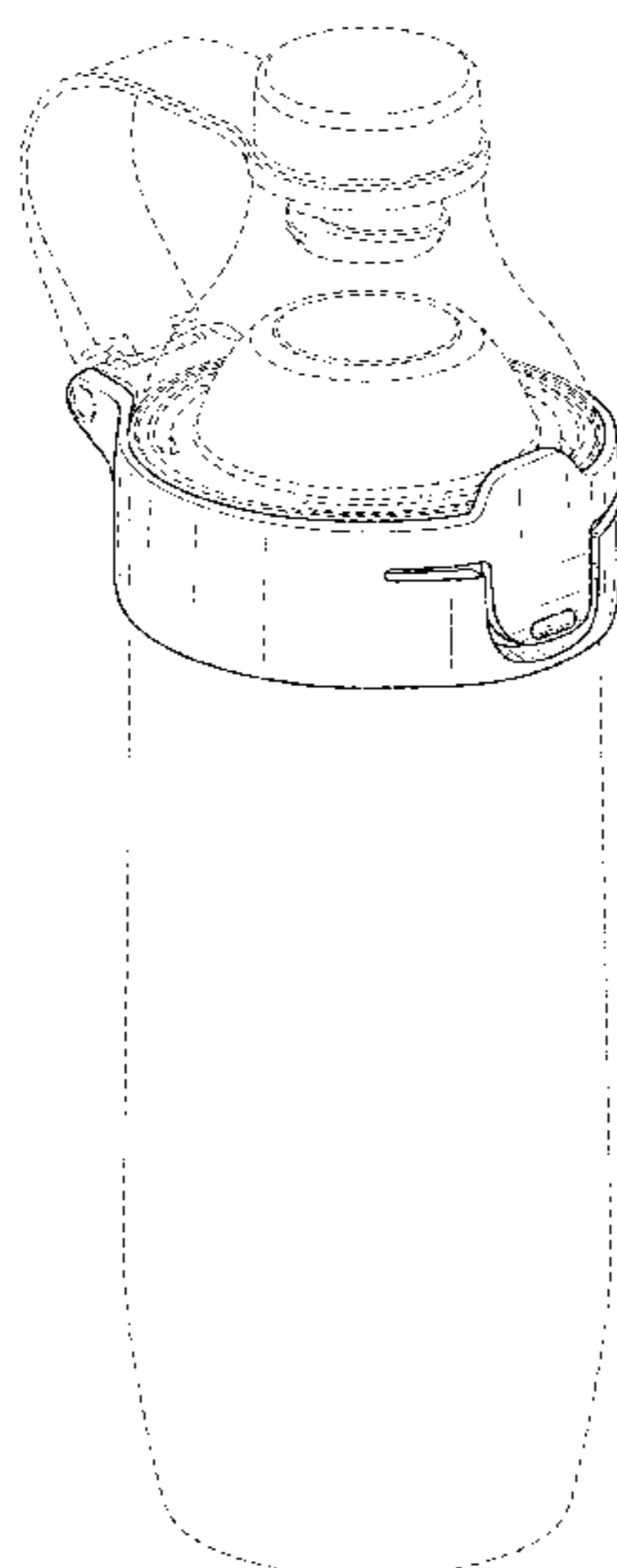
(56) **References Cited**

U.S. PATENT DOCUMENTS

D28,746 S * 5/1898 Blount D9/434
D30,094 S * 1/1899 Busch D9/434
2,073,636 A 3/1937 Holoubek
D105,671 S 8/1937 Noble
2,930,408 A 3/1960 Stevens
2,981,431 A 4/1961 Schluttig
3,369,691 A 2/1968 Wei
D232,915 S 9/1974 Becker
D235,193 S 5/1975 Bryant
4,346,495 A 8/1982 Lin
D278,033 S 3/1985 Borkan et al.

The dashed broken lines show portions of the bottle that form no part of the claimed design. The dot-dash broken lines show claim boundaries that form no part of the claimed design.

1 Claim, 8 Drawing Sheets



(56)

References Cited

U.S. PATENT DOCUMENTS

6,105,799 A 8/2000 Takagawa
 6,142,366 A 11/2000 Sagel
 6,405,675 B1 6/2002 Mills
 6,409,035 B1 6/2002 Darr et al.
 6,460,759 B1 10/2002 Lowry et al.
 D470,050 S * 2/2003 Renz et al. D9/434
 D474,978 S 5/2003 Varlet
 D516,915 S 3/2006 Gaines
 D519,396 S * 4/2006 Migliorati D11/4
 D532,305 S 11/2006 Fellows et al.
 D536,582 S 2/2007 Roth et al.
 D539,136 S 3/2007 Limber
 D567,021 S 4/2008 Bach et al.
 D569,685 S 5/2008 Liu
 D572,077 S * 7/2008 Duke D7/387
 D581,278 S 11/2008 Shibata et al.
 D588,870 S 3/2009 Rasmussen
 D600,973 S * 9/2009 Lane D7/396.2
 D610,009 S 2/2010 Prufer
 D622,835 S 8/2010 Mendheim
 D625,183 S * 10/2010 Bartsch et al. D9/434
 D626,415 S 11/2010 Kolano
 D629,693 S 12/2010 Rica
 D647,364 S 10/2011 Audette et al.
 D650,677 S 12/2011 Wurster et al.
 D657,665 S * 4/2012 Rivera et al. D9/434
 D661,549 S 6/2012 Kemper et al.

D668,150 S 10/2012 Crapser et al.
 D671,410 S 11/2012 Asakawa
 D675,102 S 1/2013 Crowe
 D676,717 S 2/2013 Ceder
 8,365,913 B2 2/2013 Ceder
 8,365,941 B2 2/2013 Mayer
 D684,065 S 6/2013 Wiseman
 D688,531 S 8/2013 Ceder
 D689,375 S 9/2013 Garner
 8,579,149 B2 11/2013 Henke et al.
 8,584,879 B2 11/2013 Melrose et al.
 D697,431 S 1/2014 Baker et al.
 D699,578 S 2/2014 Marina et al.
 D701,767 S 4/2014 Marina et al.
 D702,492 S 4/2014 Marina et al.
 D703,000 S 4/2014 Marina et al.
 D703,487 S 4/2014 Marina et al.
 D709,387 S 7/2014 Marina et al.
 D710,703 S 8/2014 Marina et al.
 D712,268 S 9/2014 Marina et al.
 D727,171 S * 4/2015 Marina et al. D9/738
 D730,111 S * 5/2015 Beller D7/387
 D730,729 S * 6/2015 George D9/435
 D730,734 S * 6/2015 Rapparini D9/454
 2004/0124192 A1 7/2004 Teller
 2007/0084821 A1 4/2007 Bysick et al.
 2010/0055252 A1 3/2010 Marina et al.
 2011/0166910 A1 * 7/2011 Marina et al. 705/7.29
 2012/0183657 A1 7/2012 Marina et al.
 2013/0103589 A1 4/2013 Cragun et al.

* cited by examiner

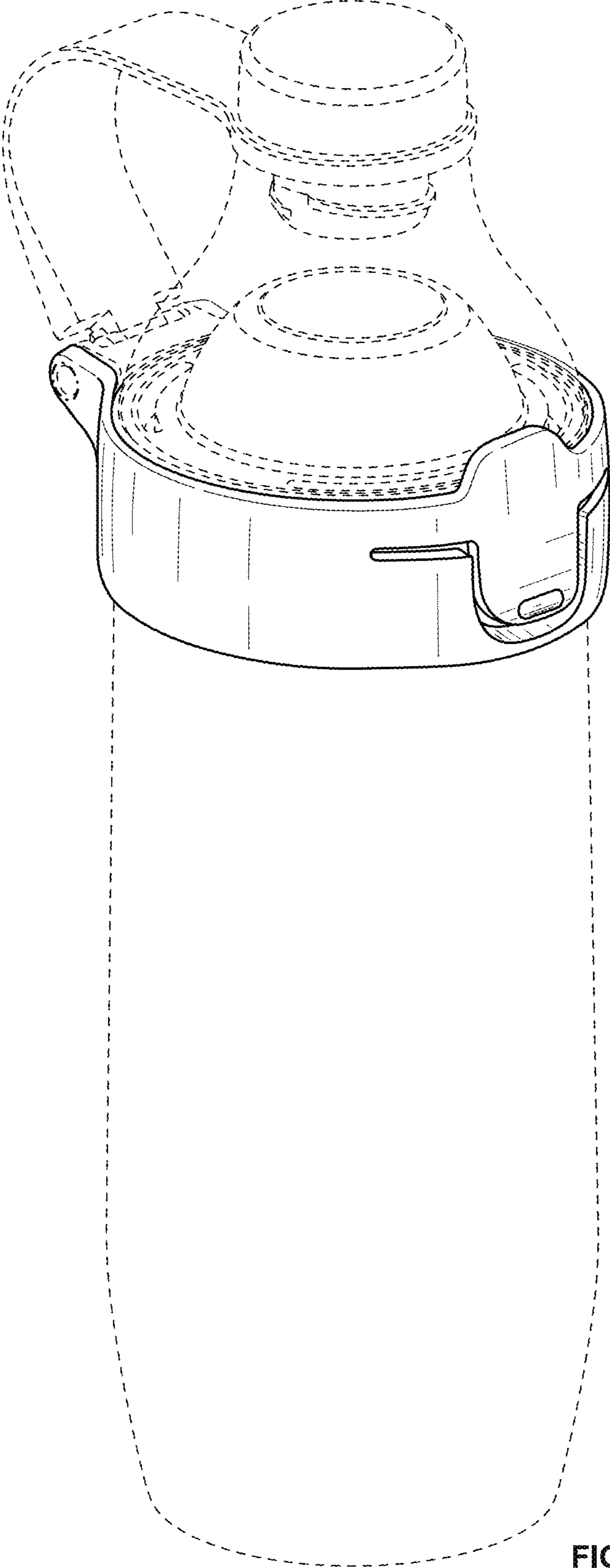


FIG. 1

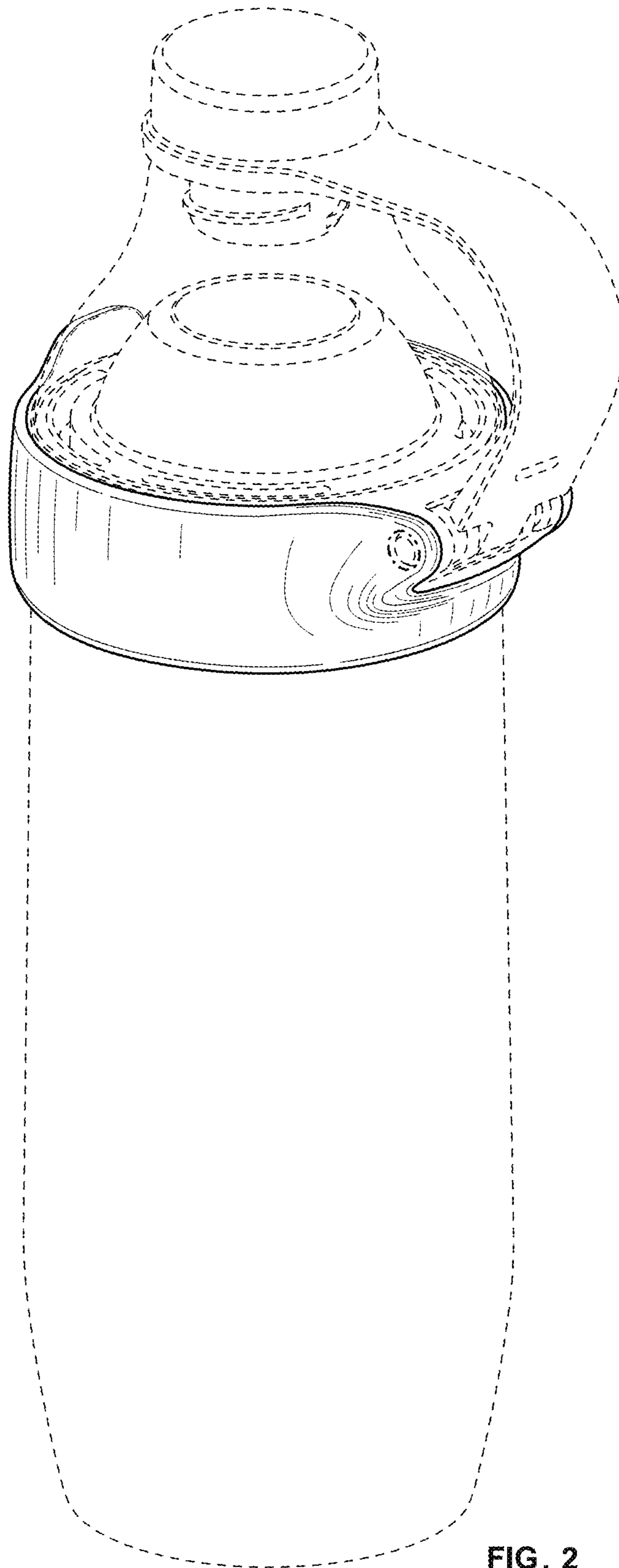


FIG. 2

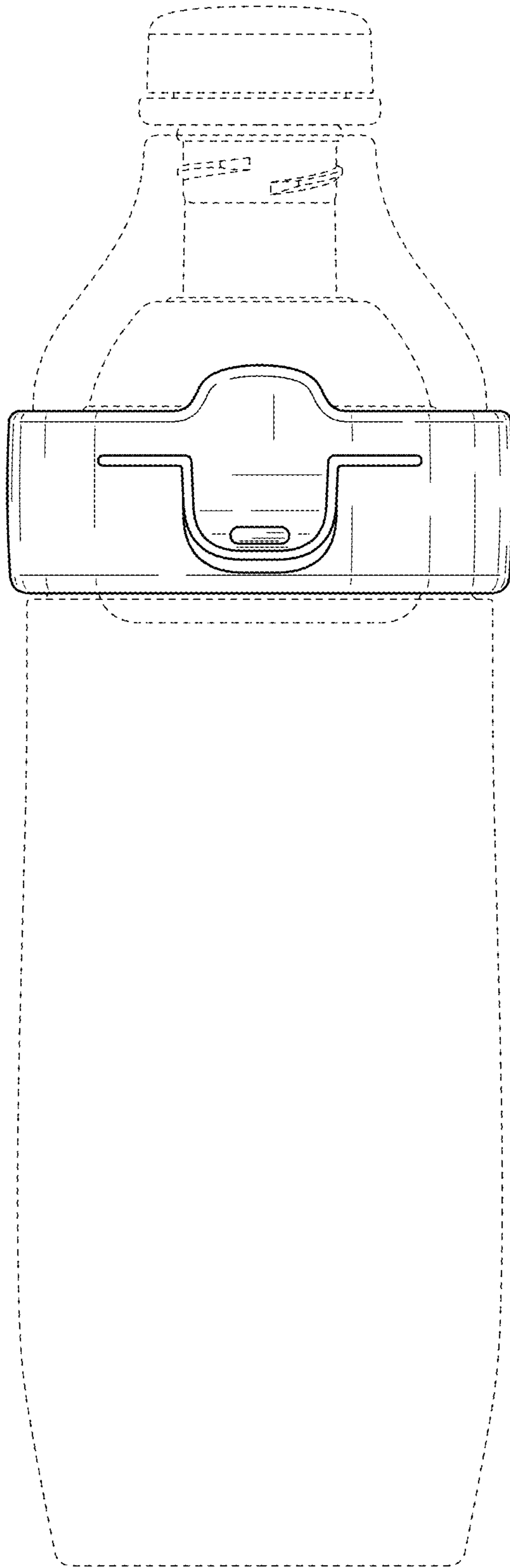


FIG. 3

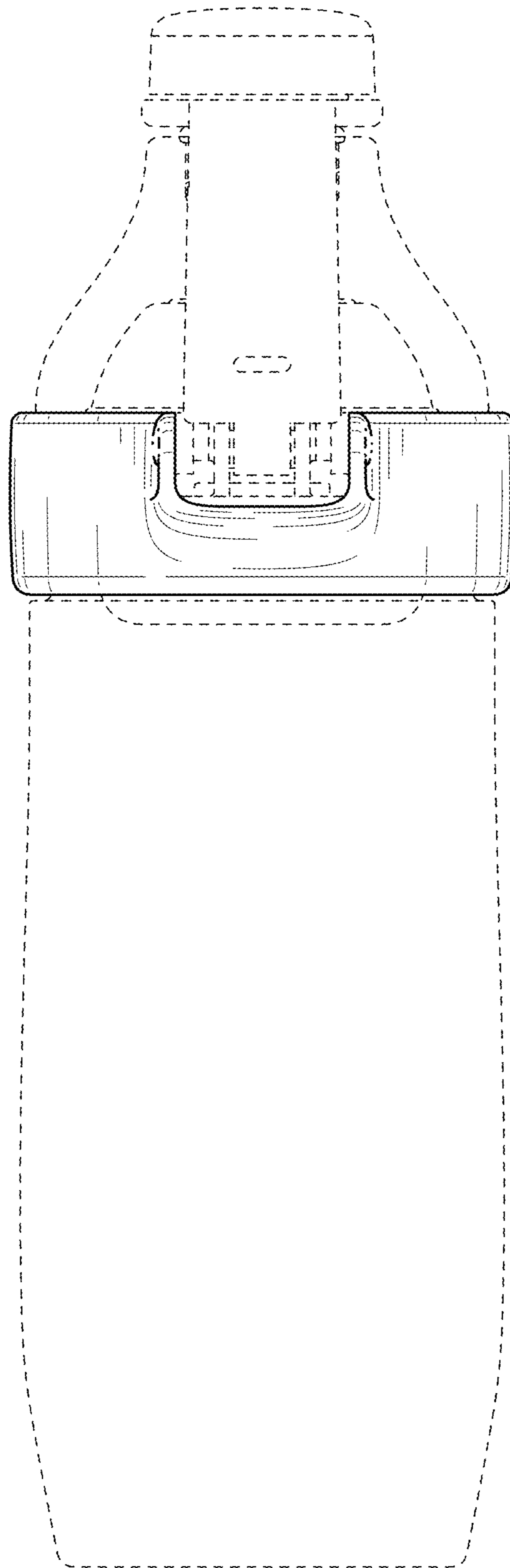


FIG. 4

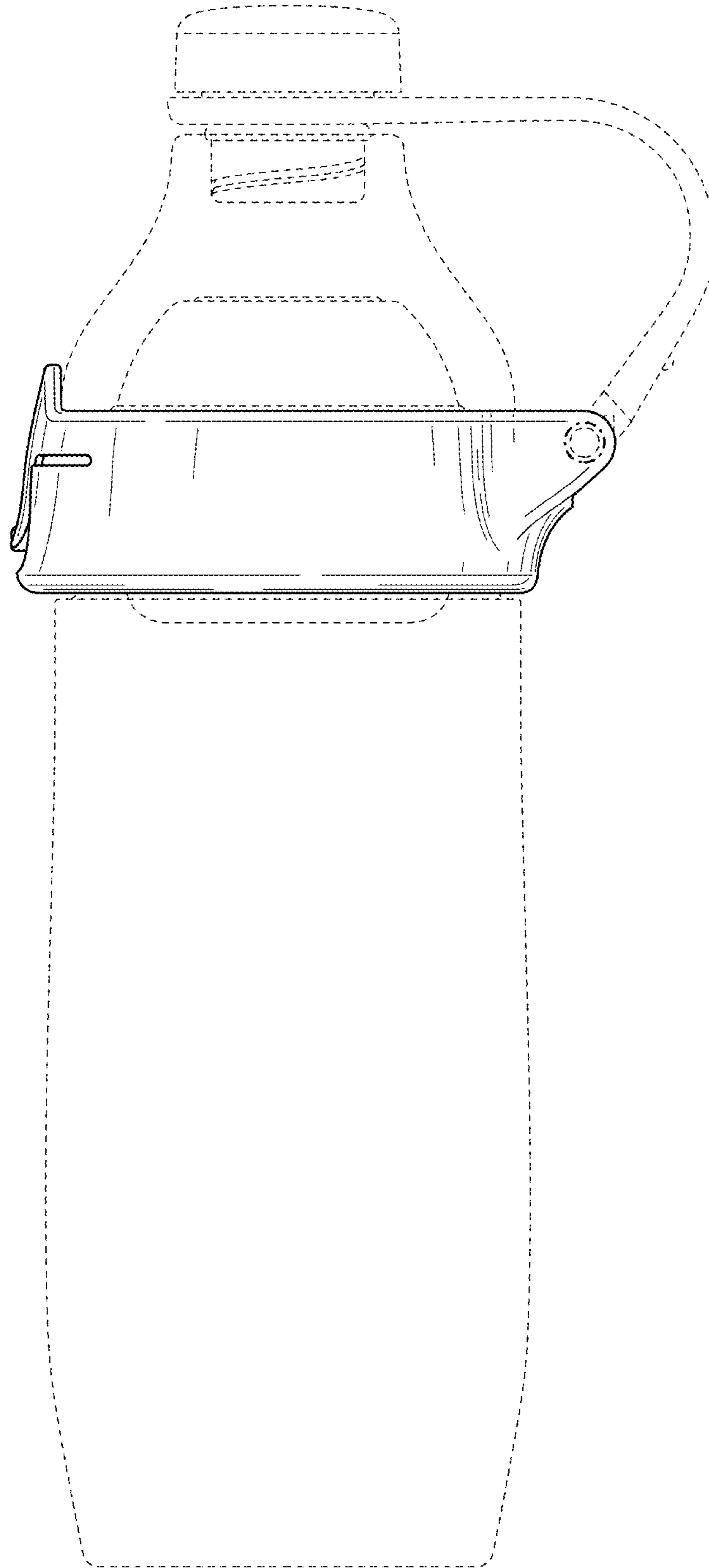


FIG. 5

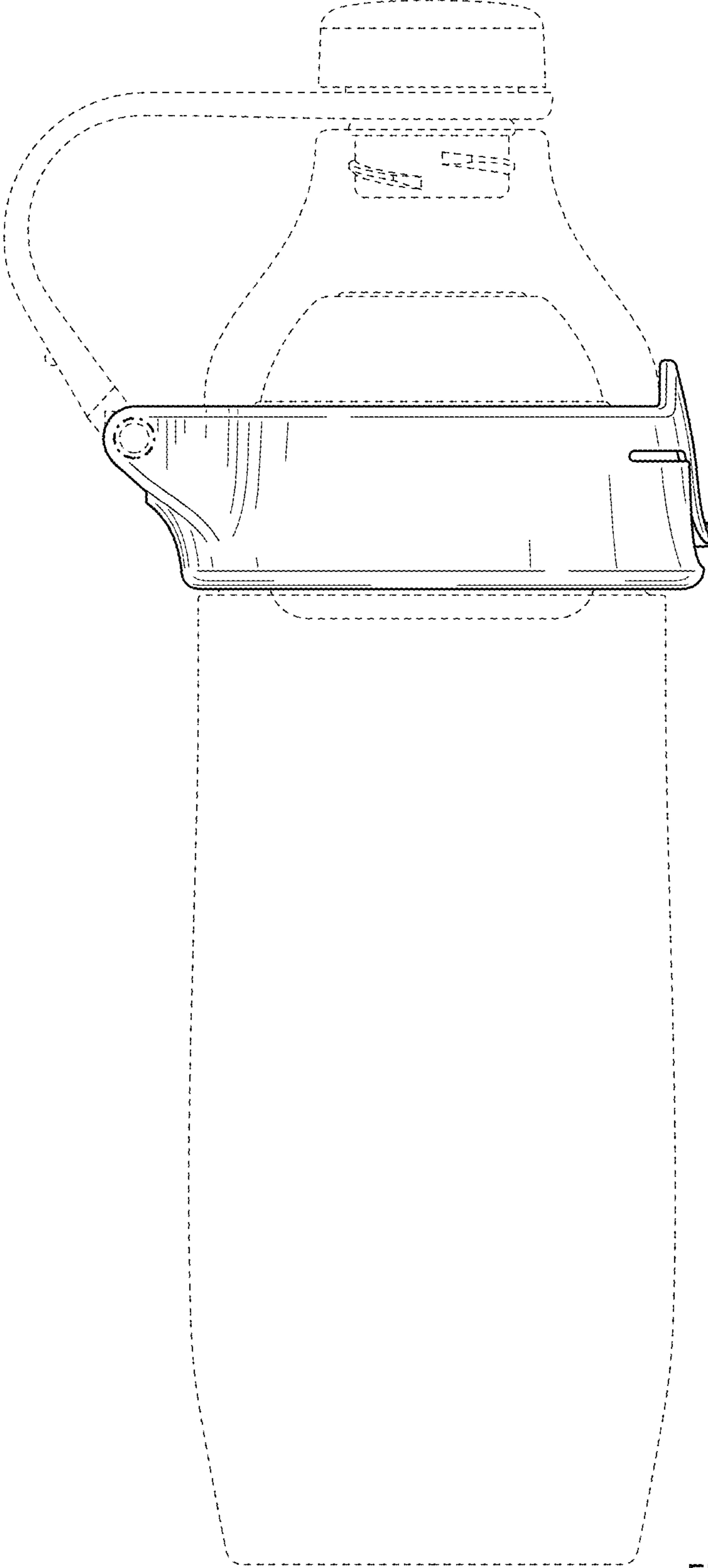


FIG. 6

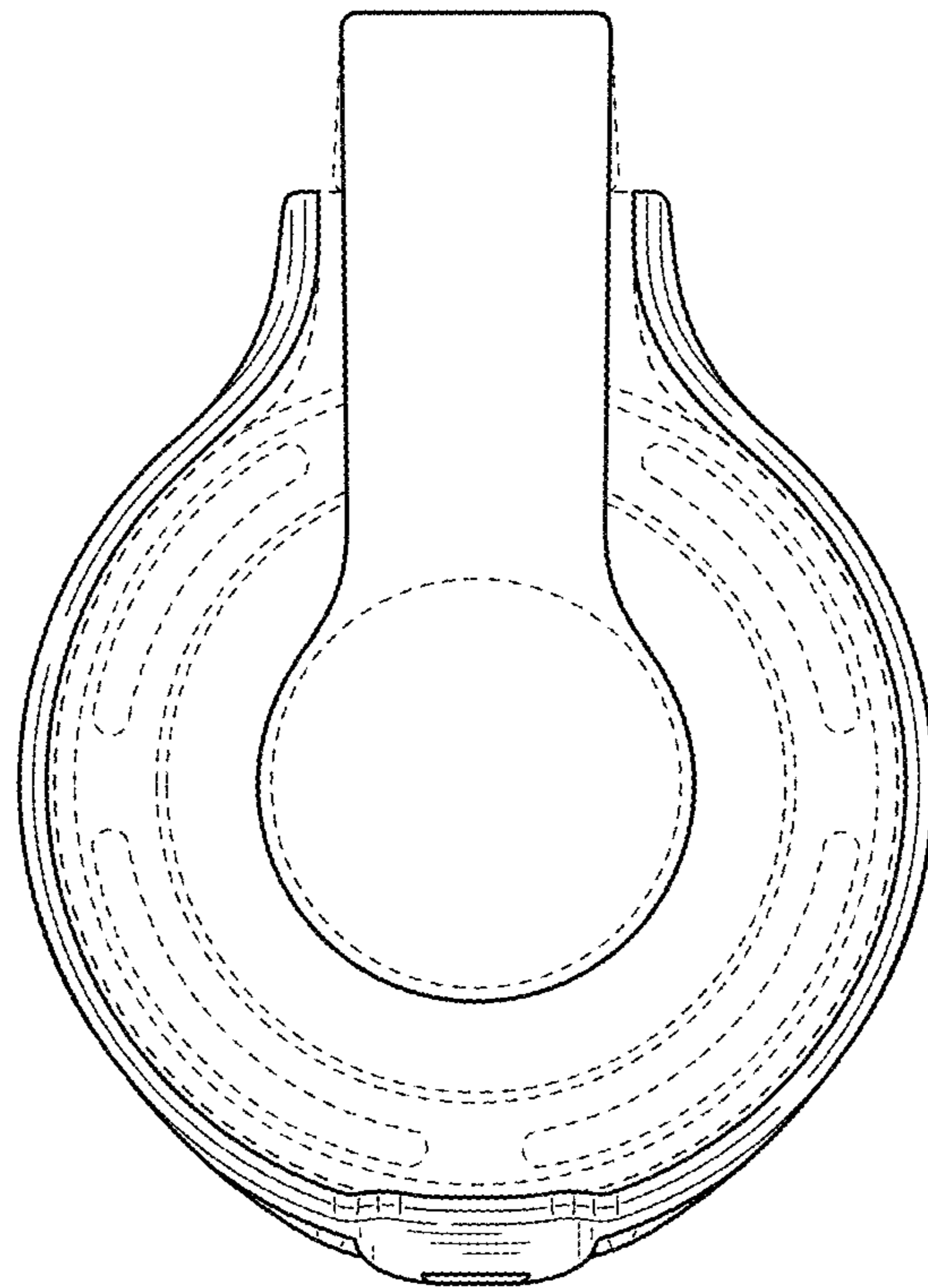


FIG. 7

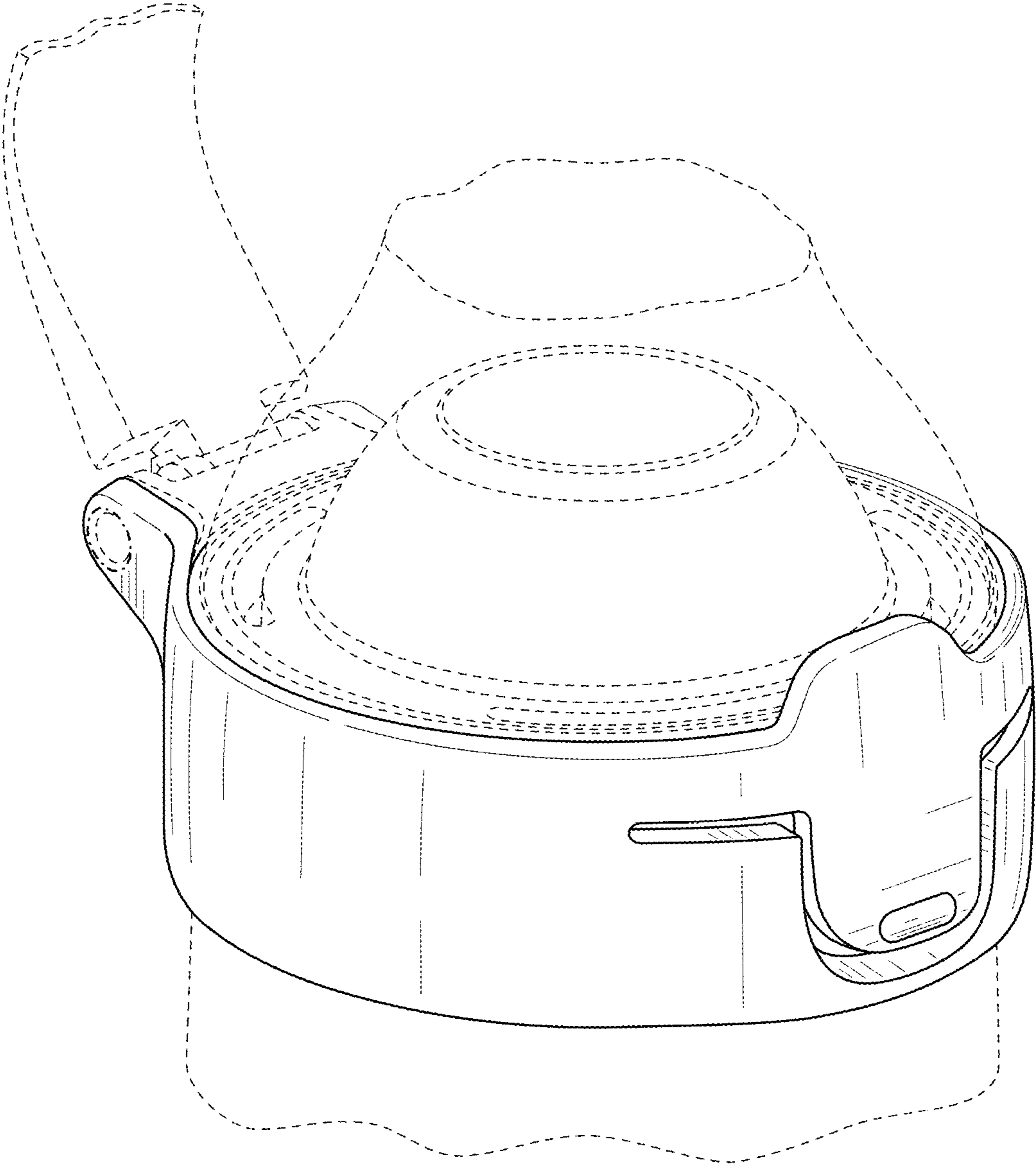


FIG. 8