



US00D768478S

(12) **United States Design Patent**
Glass et al.

(10) **Patent No.:** **US D768,478 S**

(45) **Date of Patent:** **** *Oct. 11, 2016**

(54) **BI-FOLD SLEEVE AND CLOSURE BAND FOR HOLDING STORED VALUE CARDS**

(71) Applicant: **Gift Card Impressions, LLC**, Kansas City, MO (US)

(72) Inventors: **Brett R. Glass**, Kansas City, MO (US); **Nicole E. Glass**, Kansas City, MO (US)

(*) Notice: This patent is subject to a terminal disclaimer.

(**) Term: **14 Years**

(21) Appl. No.: **29/482,417**

(22) Filed: **Feb. 18, 2014**

(51) **LOC (10) Cl.** **09-03**

(52) **U.S. Cl.**
USPC **D9/432; D9/418**

(58) **Field of Classification Search**
USPC D9/414-434, 442-445, 456-457, 542, D9/563, 600, 614-624, 655, 657, 658, 661, D9/695, 697-699, 707-708, 711, D9/772-776; D7/601, 602, 538, 540, D7/550.1; D3/202, 203.5, 203.6, 205; D19/2-3, 10, 26
CPC B65D 5/00; B65D 5/001; B65D 5/0015; B65D 5/0227-5/0254; B65D 5/0045; B65D 5/18; B65D 5/2033; B65D 5/38; B65D 5/40; B65D 1/22; B65D 1/225; B65D 1/24; B65D 1/34; B65D 1/38
See application file for complete search history.

(56) **References Cited**

U.S. PATENT DOCUMENTS

D71,513 S *	11/1926	Austin	D9/418
D339,063 S *	9/1993	Simon	D9/433
D431,775 S *	10/2000	Plattner et al.	D9/415
D455,958 S *	4/2002	Burrus	D9/433
D511,093 S *	11/2005	Keeton	D9/433
D581,267 S *	11/2008	Tearle	D9/432
D600,549 S *	9/2009	Anderson et al.	D9/432
D602,353 S *	10/2009	Anderson et al.	D9/432

D617,637 S *	6/2010	Anderson et al.	D9/432
D626,831 S *	11/2010	Nicholas	D9/432
D687,293 S *	8/2013	Glass et al.	D9/415
D715,634 S *	10/2014	Stevens	D9/414
D716,647 S *	11/2014	Mizuno	D9/415
D722,870 S *	2/2015	Fohner et al.	D9/432
D724,942 S *	3/2015	Mattila et al.	D9/432

* cited by examiner

Primary Examiner — Vy Koenig

(74) *Attorney, Agent, or Firm* — Polsinelli PC

(57) **CLAIM**

The ornamental design for a bi-fold sleeve and closure band for holding stored value cards, as shown and described.

DESCRIPTION

FIG. 1 is a perspective view of a bi-fold sleeve portion of the bi-fold sleeve and closure band for holding stored value cards shown in a folded and closed disposition;

FIG. 2 is a front elevation view of the bi-fold sleeve portion of FIG. 1;

FIG. 3 is a rear elevation view of the bi-fold sleeve portion of FIG. 1;

FIG. 4 is a right elevation view of the bi-fold sleeve portion of FIG. 1;

FIG. 5 is a left elevation view of the bi-fold sleeve portion of FIG. 1;

FIG. 6 is a top plan view of the bi-fold sleeve portion of FIG. 1;

FIG. 7 is a bottom plan view of the bi-fold sleeve portion of FIG. 1;

FIG. 8 is a perspective view of the bi-fold sleeve portion of FIG. 1 in a folded and closed disposition with a closure band engaged to the bi-fold sleeve portion;

FIG. 9 is a perspective view of the bi-fold sleeve and closure band, illustrating the attachment of the closure band;

FIG. 10 is a front elevation view of the bi-fold sleeve and engaged closure band;

FIG. 11 is a rear elevation view of the bi-fold sleeve and engaged closure band;

FIG. 12 is a right elevation view of the bi-fold sleeve and engaged closure band;

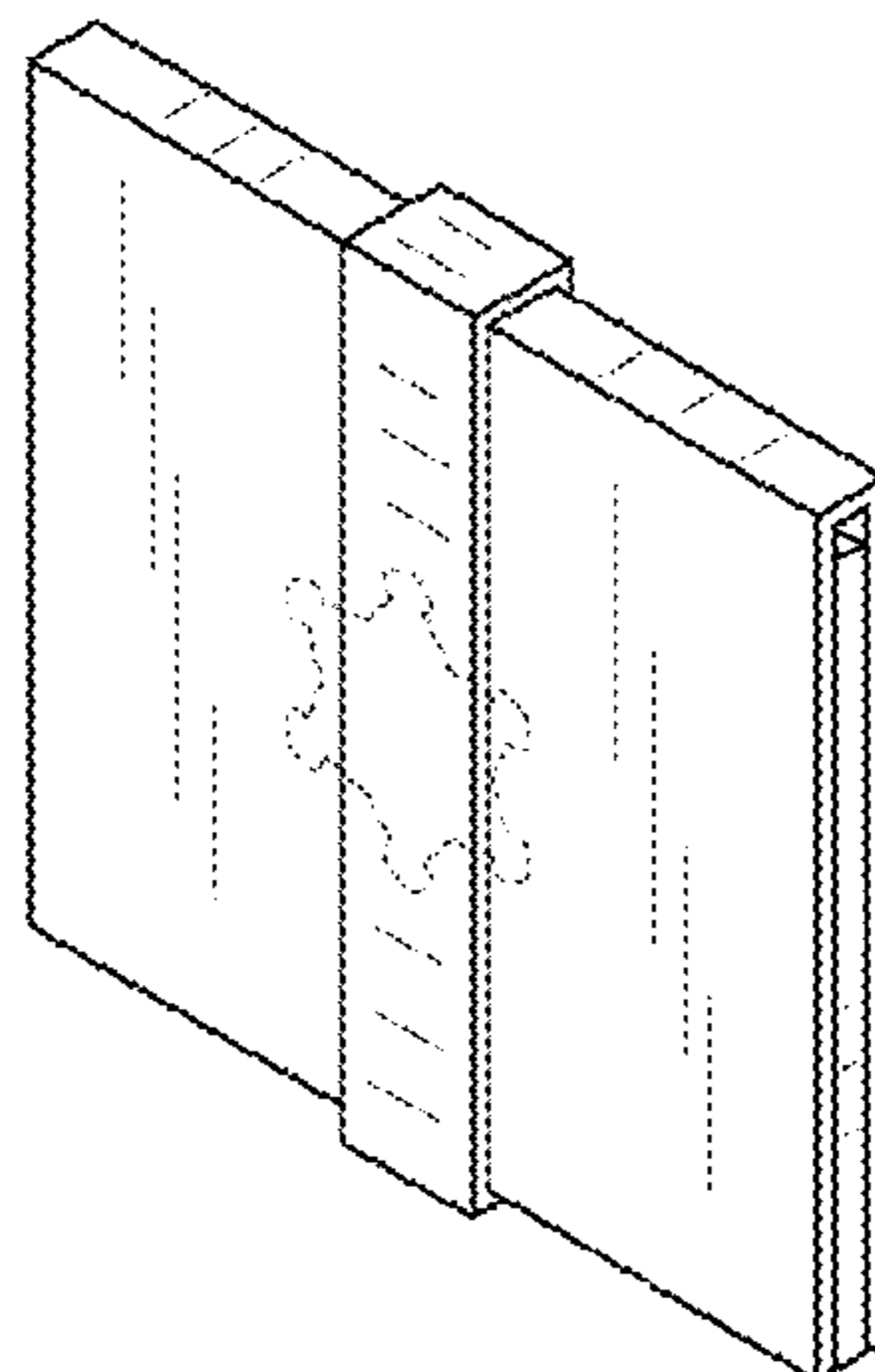


FIG. **13** is a left elevation view of the bi-fold sleeve and engaged closure band;

FIG. **14** is a top plan view of the bi-fold sleeve and engaged closure band;

FIG. **15** is a bottom plan view of the bi-fold sleeve and engaged closure band;

FIG. **16** is a front elevation view of the bi-fold sleeve portion of the bi-fold sleeve and closure band for holding stored value cards shown not folded and in an open disposition;

FIG. **17** is a rear elevation view of the bi-fold sleeve portion of FIG. **16**;

FIG. **18** is a left elevation view of the bi-fold sleeve portion of FIG. **16**;

FIG. **19** is a right elevation view of the bi-fold sleeve portion of FIG. **16**;

FIG. **20** is a top plan view of the bi-fold sleeve portion of FIG. **16**; and,

FIG. **21** is a bottom plan view of the bi-fold sleeve portion of FIG. **16**.

The broken dashed lines (- -) showing in FIGS. **8-10** and **12-16** are included for the purpose of illustrating portions of the bi-fold sleeve for holding stored value cards that form no part of the claimed design.

The double broken dash-dot-dot lines (- • •) showing in FIGS. **16-17** are included for the purpose of illustrating fold lines in portions of the bi-fold sleeve portion for holding stored value cards.

1 Claim, 7 Drawing Sheets

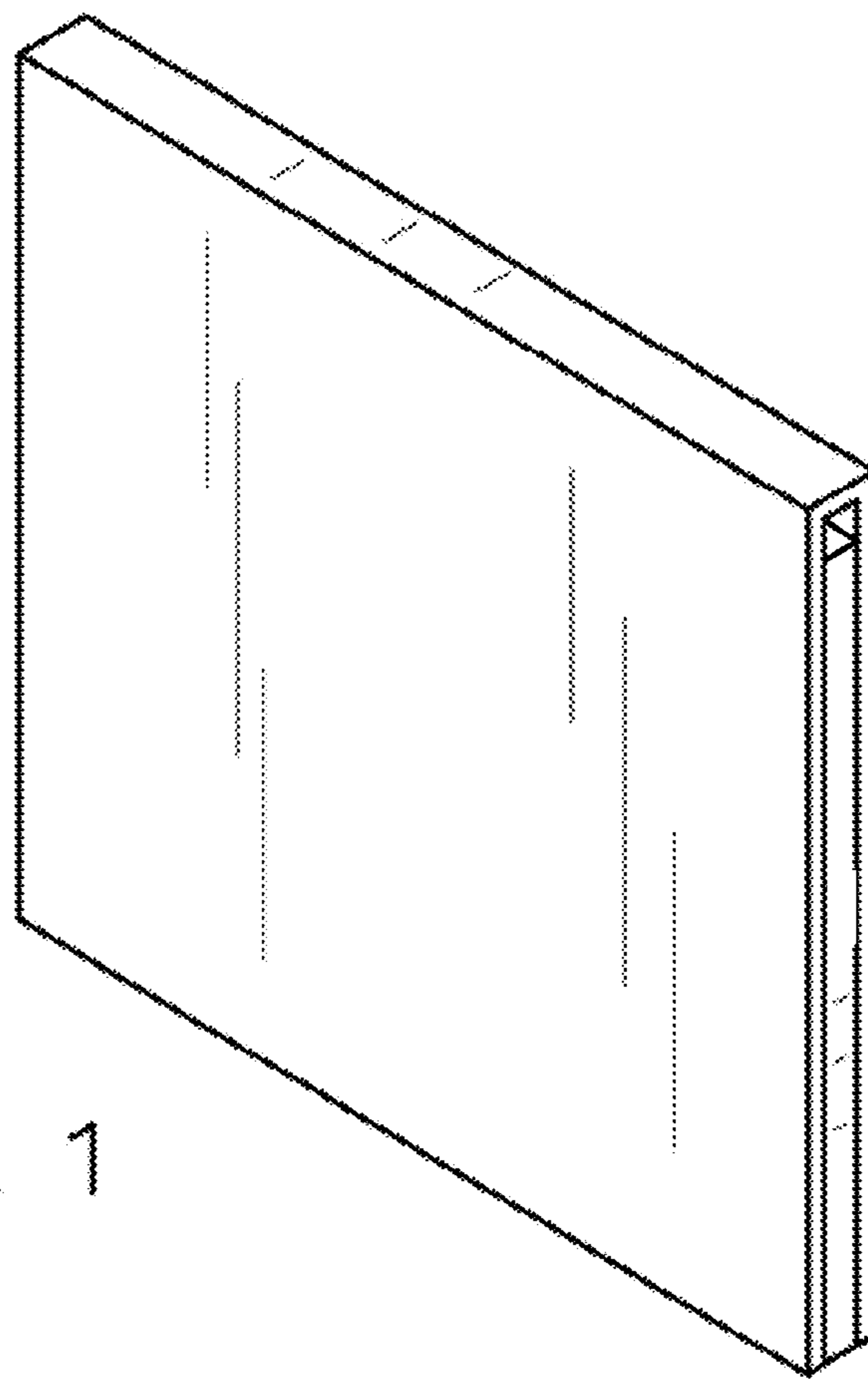


FIG. 1

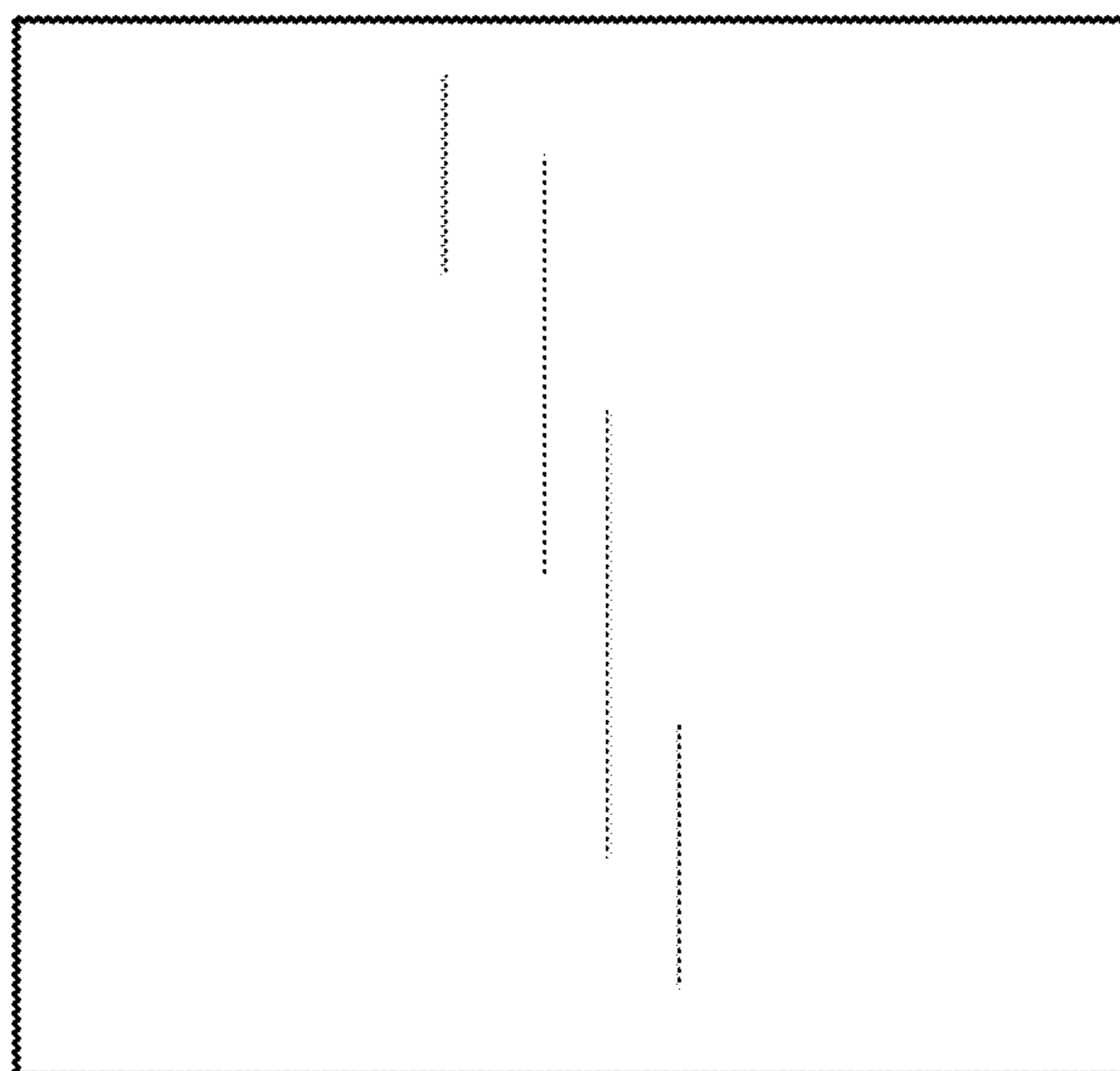


FIG. 2

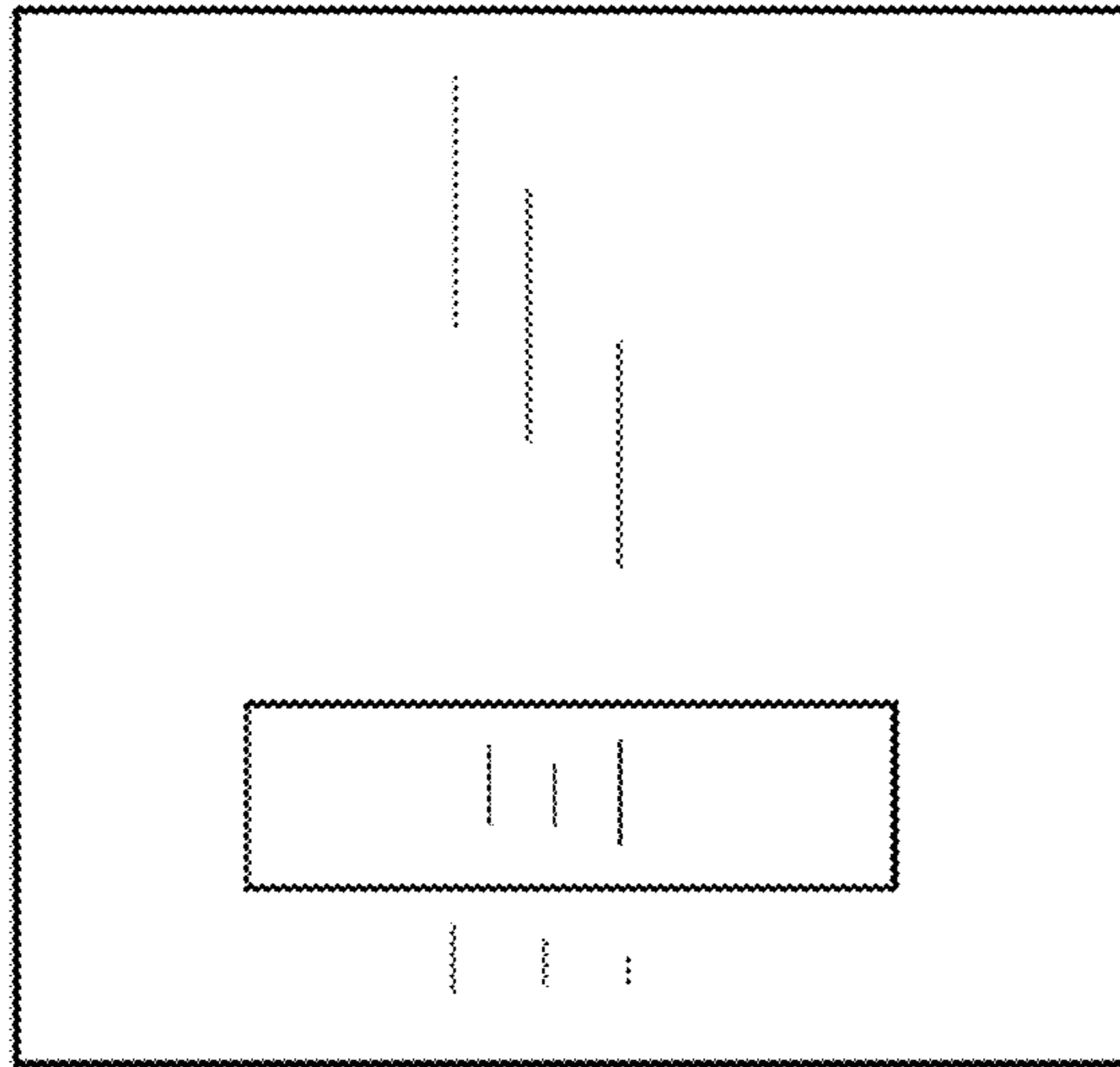


FIG. 3



FIG. 4



FIG. 5



FIG. 6

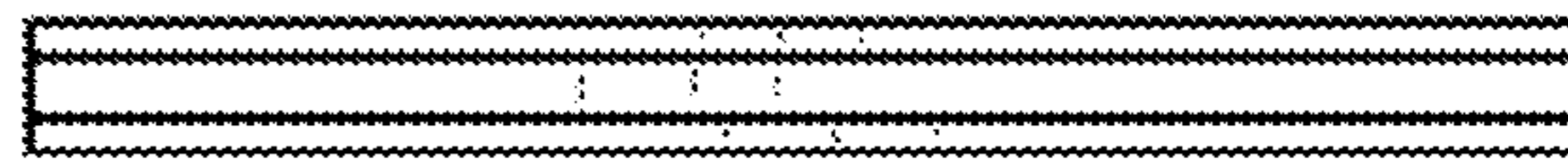


FIG. 7

FIG. 8

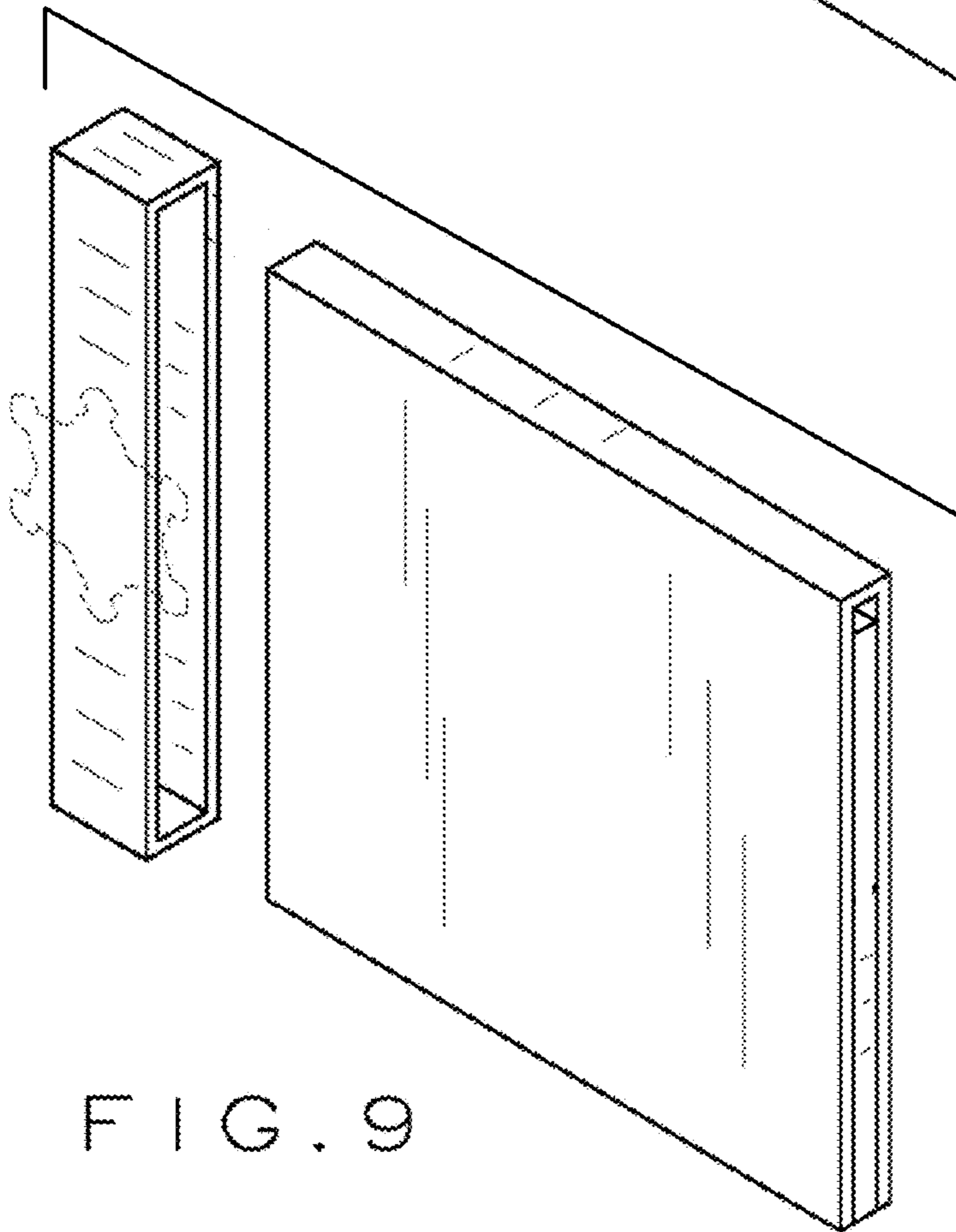
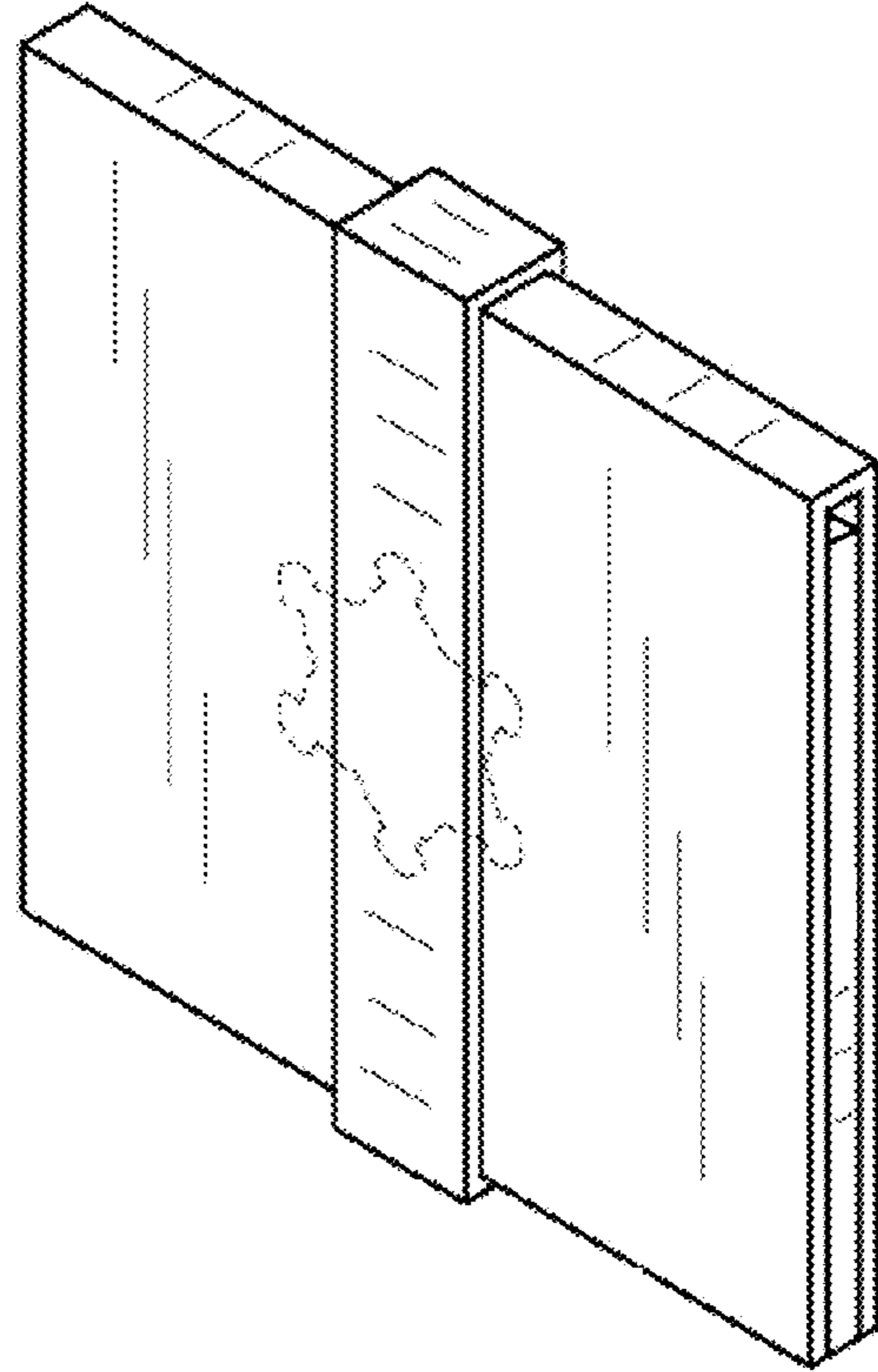


FIG. 9

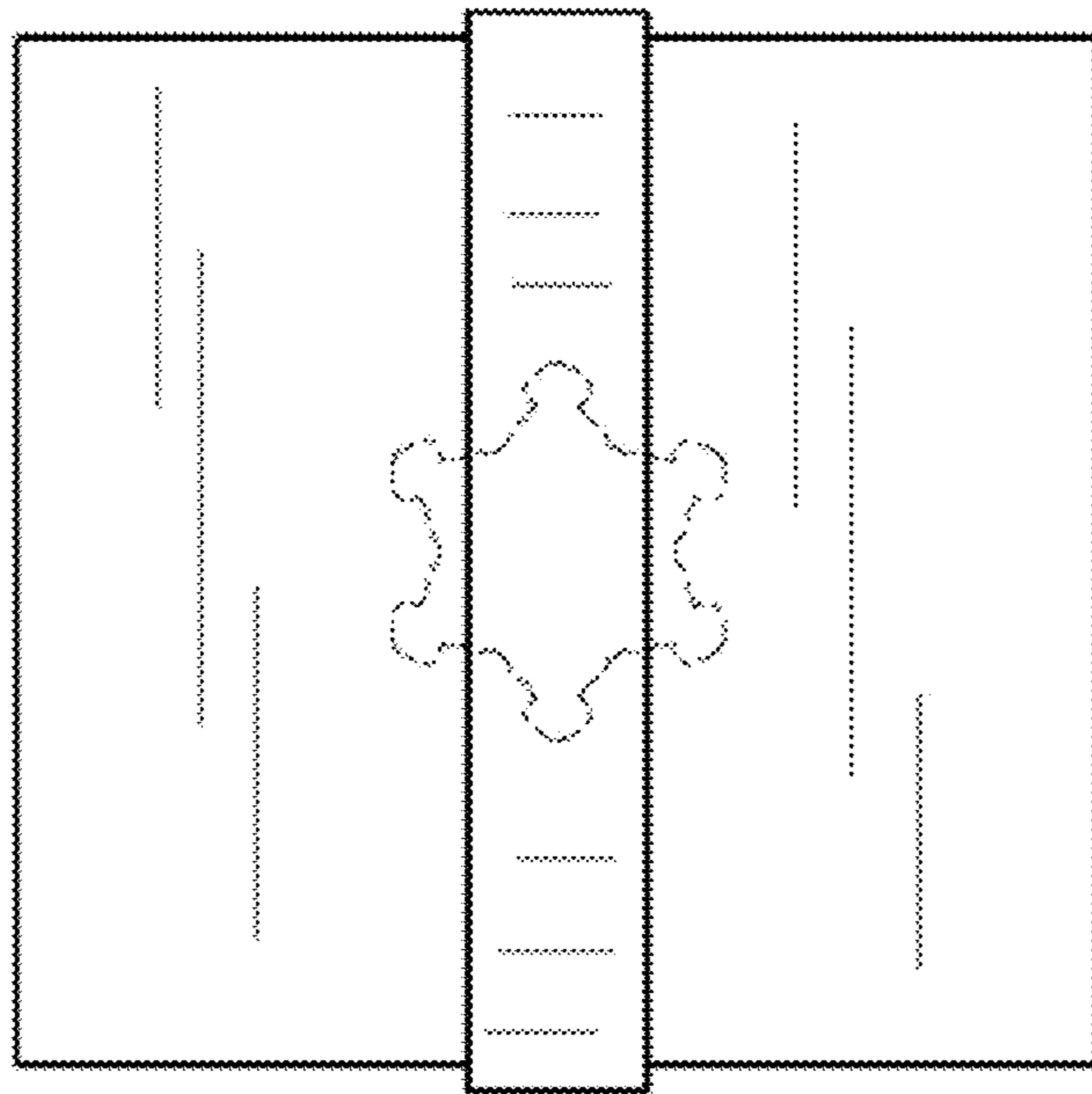


FIG. 10

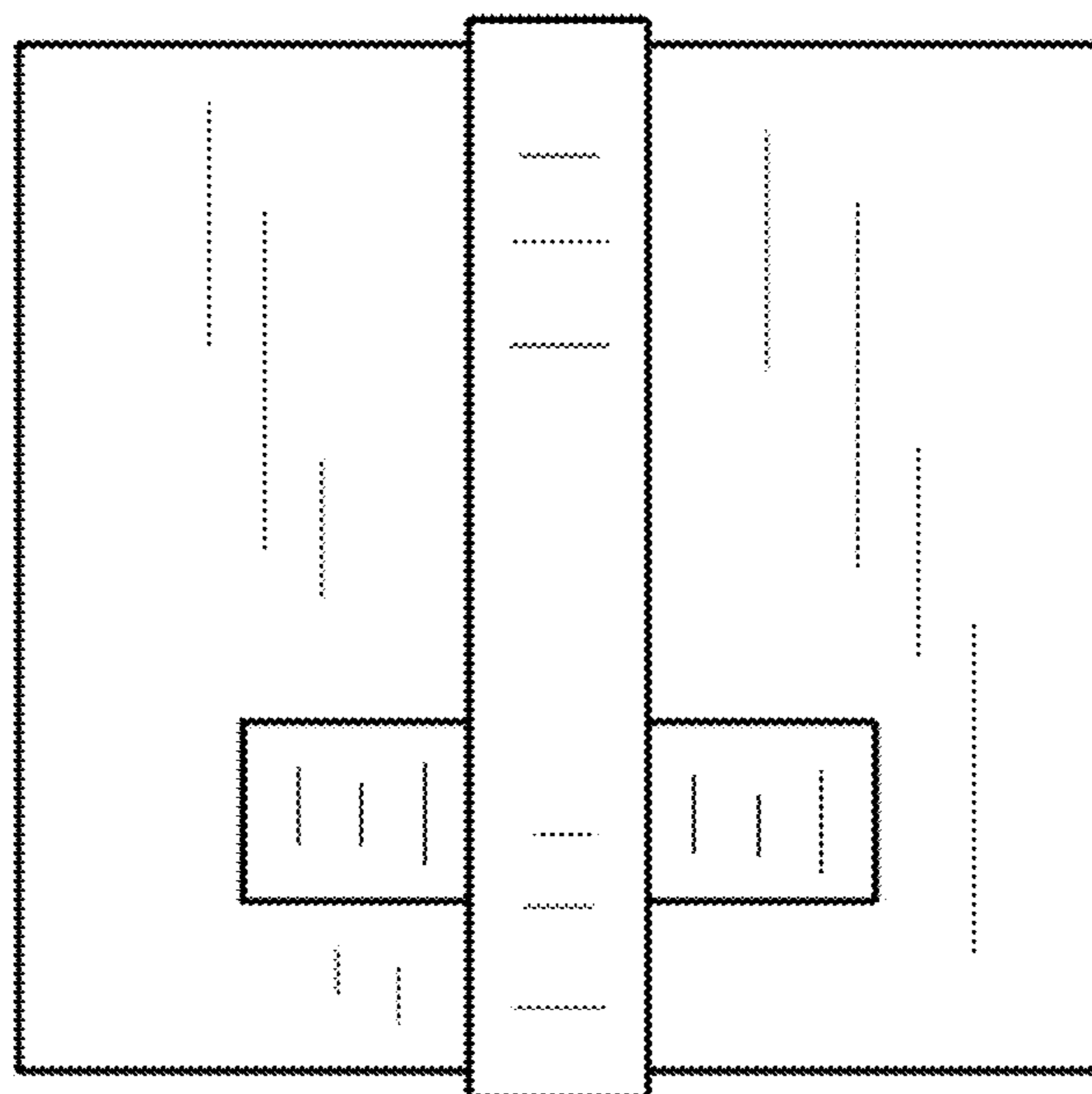


FIG. 11

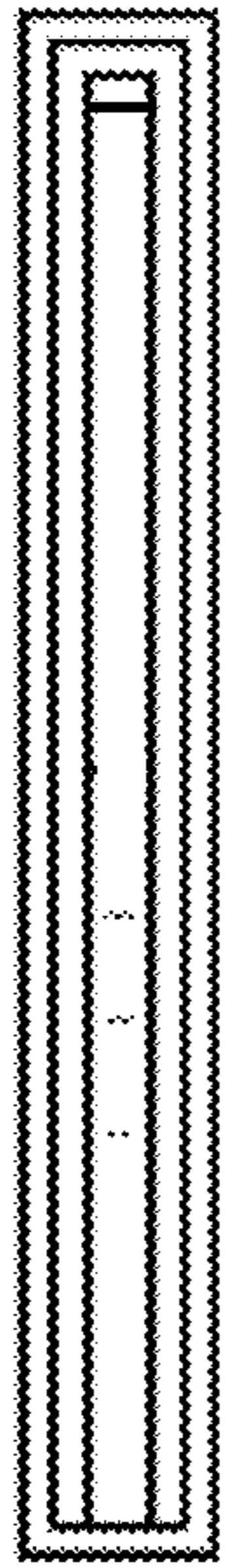


FIG. 12



FIG. 13

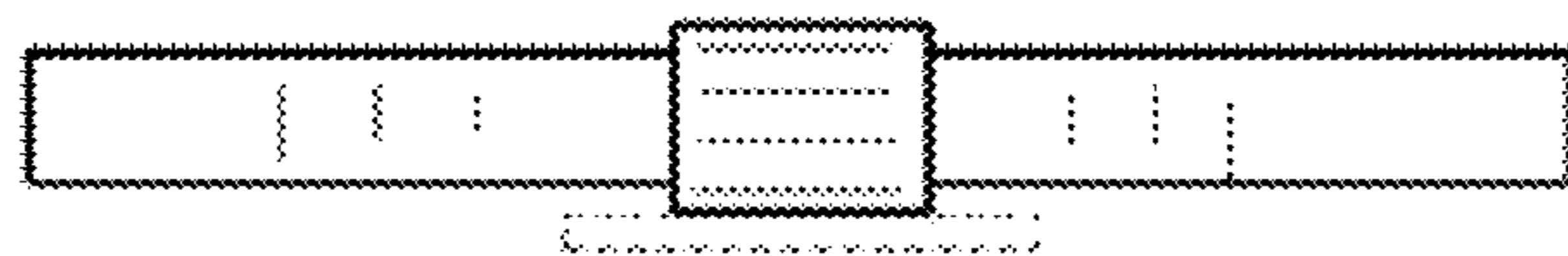


FIG. 14

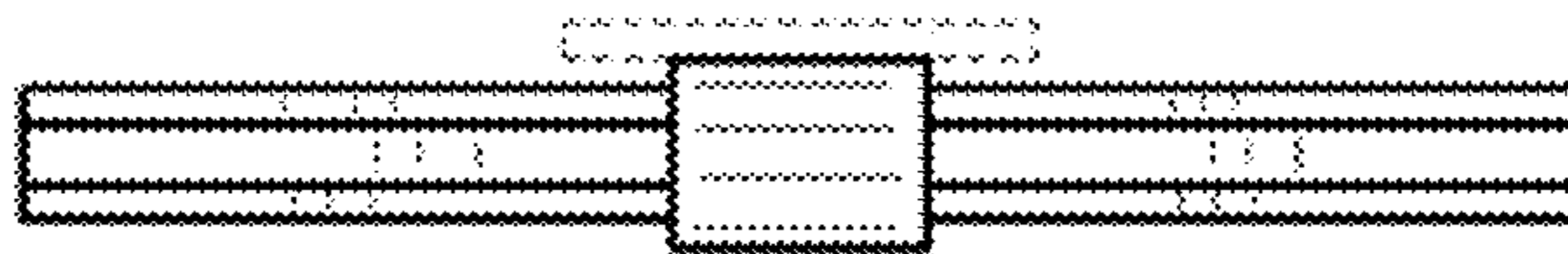


FIG. 15

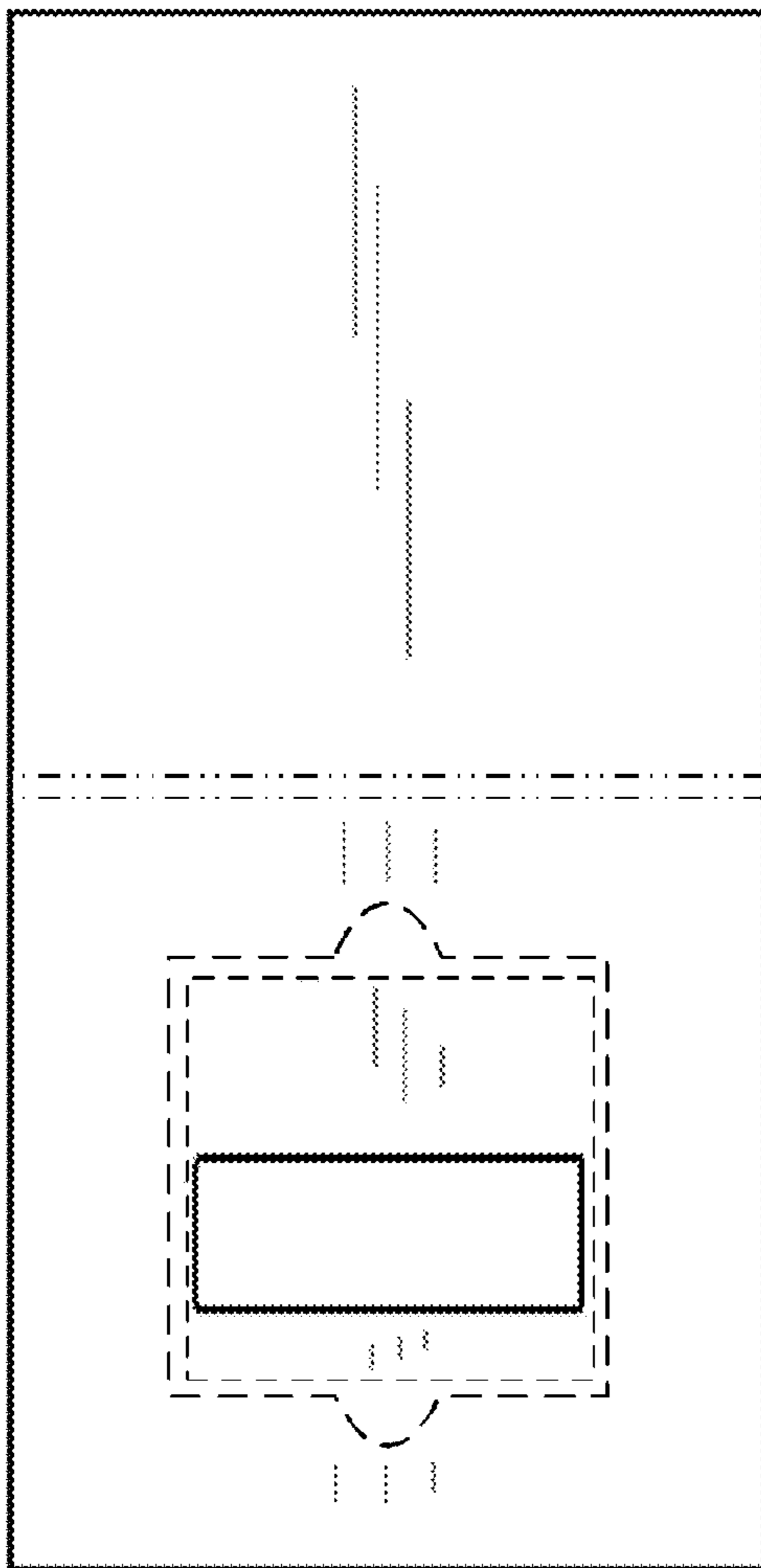


FIG. 16

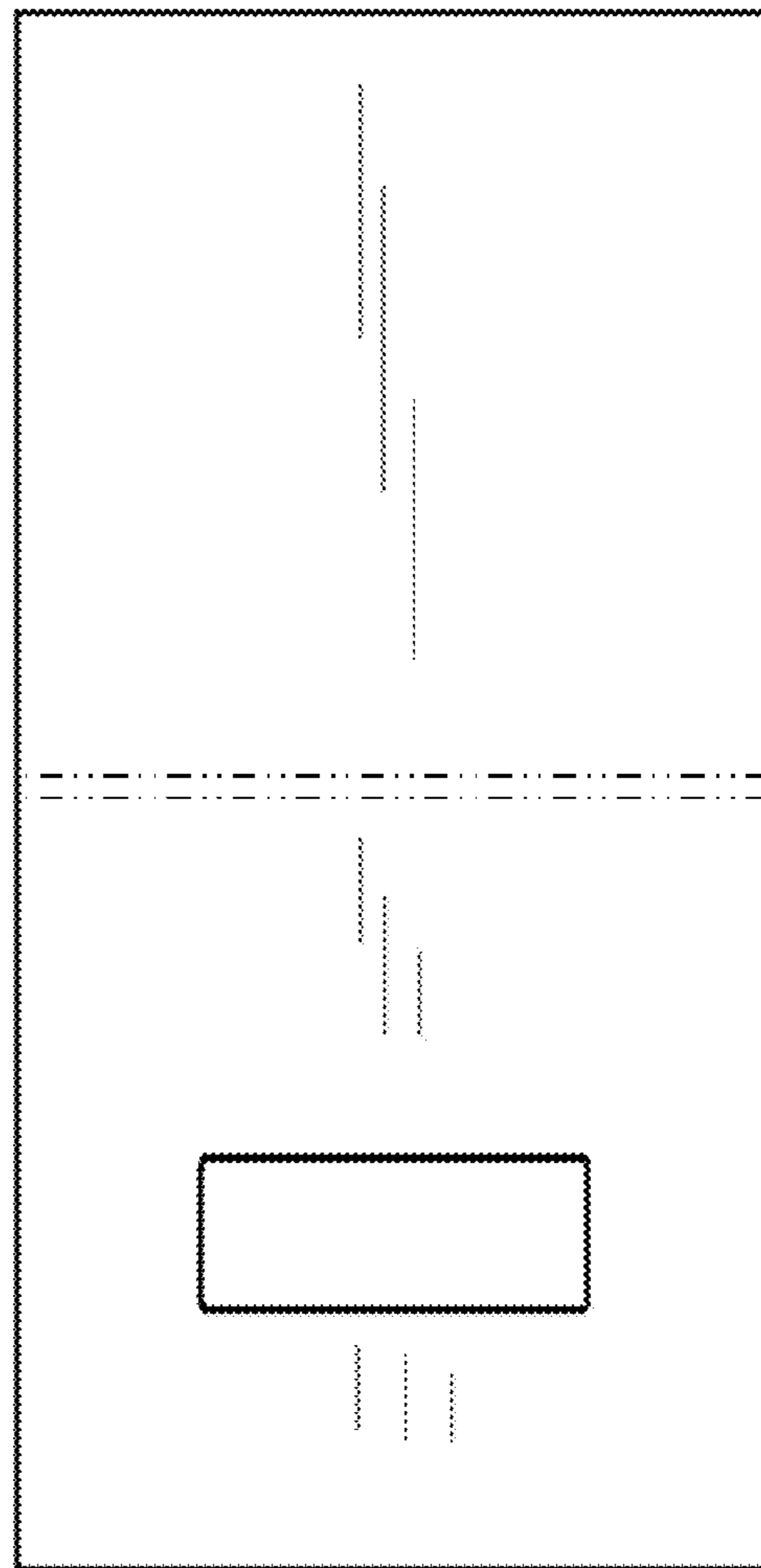


FIG. 17



FIG. 20

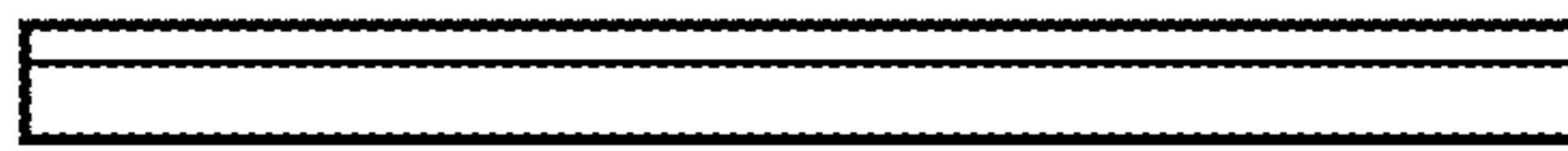


FIG. 21



FIG. 18



FIG. 19