



US00D768477S

(12) **United States Design Patent** (10) **Patent No.:** **US D768,477 S**
Buogo et al. (45) **Date of Patent:** **** Oct. 11, 2016**

(54) **BLISTER PACKAGE**
(71) Applicant: **Reckitt Benckiser (Brands) Limited**,
Berkshire (GB)
(72) Inventors: **Alberto Buogo**, Hull (GB); **Carl**
Dibnah, Hull (GB); **Jonathan Frank**
Michael Fahy, Kent (GB)
(73) Assignee: **RECKITT BENCKISER (BRANDS)**
LIMITED, Slough (GB)
(**) Term: **15 Years**
(21) Appl. No.: **29/530,986**
(22) Filed: **Jun. 22, 2015**

D324,516 S * 3/1992 Suzuki D14/476
D368,368 S * 4/1996 Merritt D3/263
D388,702 S * 1/1998 Mindel D9/434
D405,002 S * 2/1999 Appelbaum D9/629
D422,843 S * 4/2000 Rashid D7/555
D460,687 S * 7/2002 Weinstock D9/629
D500,202 S * 12/2004 Nova D3/203.1
D551,440 S * 9/2007 Stewart D3/203.3
D554,368 S * 11/2007 O'Hara D3/203.1
D611,441 S * 3/2010 Johansson D14/138 AB
D614,029 S * 4/2010 Lake, Jr. D9/451
D693,998 S * 11/2013 Villanova D3/203.2
D698,202 S * 1/2014 Maas D7/555
D707,039 S * 6/2014 Zerlin D3/203.2
D711,645 S * 8/2014 van der Lande D3/264
D728,935 S * 5/2015 Huang D3/282
D741,722 S * 10/2015 Oaknin D9/629
D749,963 S * 2/2016 Oaknin D9/420
2012/0292332 A1 * 11/2012 Maas A47G 19/30
220/737

(30) **Foreign Application Priority Data**
Dec. 23, 2014 (EM) 002605402-0002
(51) **LOC (10) Cl.** **09-03**
(52) **U.S. Cl.**
USPC **D9/429**
(58) **Field of Classification Search**
USPC D9/429, 434, 435, 443-450, 452, 454,
D9/499, 553, 554, 559, 561; D7/387, 392,
D7/393, 396.2, 396.4, 509, 510, 511, 514;
D3/202, 203.2, 223, 264, 294, 304, 318
CPC A61J 1/00; A61J 1/1412; B65D 1/00;
B65D 1/02; B65D 1/10; B65D 1/46; B65D
2585/56; B65D 2585/545; B65D 41/00;
B65D 41/56; B65D 41/62; B65D 47/06;
B65D 47/08
See application file for complete search history.

(56) **References Cited**
U.S. PATENT DOCUMENTS
D228,772 S * 10/1973 Hicks D21/340
D233,882 S * 12/1974 Domnitz D7/570

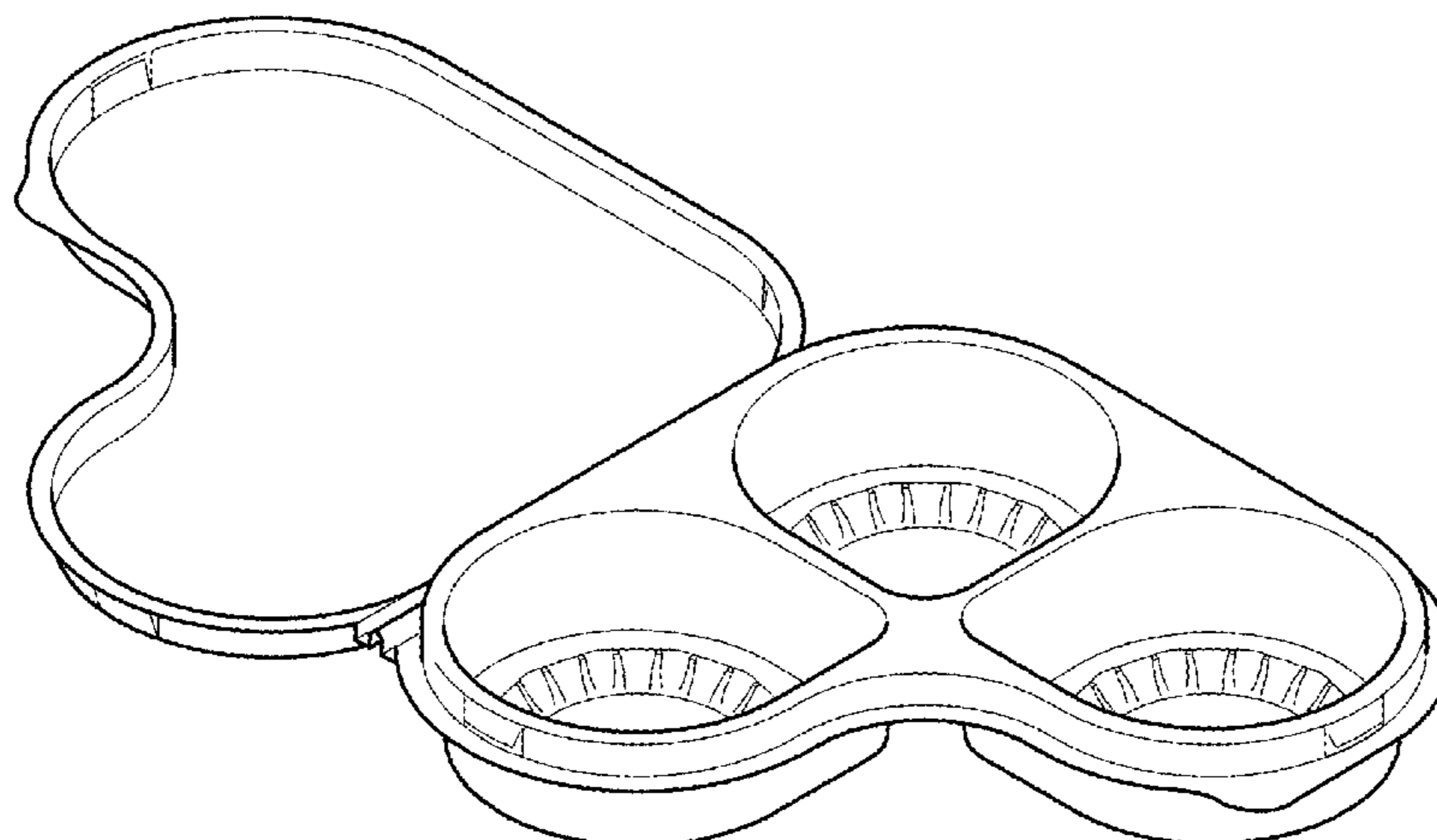
* cited by examiner
Primary Examiner — Karen S Acker
Assistant Examiner — Wendy Arminio
(74) *Attorney, Agent, or Firm* — Troutman Sanders LLP;
Ryan Schneider; Chris Davis

(57) **CLAIM**
The ornamental design for a blister package, as shown and described.

DESCRIPTION

FIG. 1 is a perspective view of a blister package of the present invention;
FIG. 2 is a front view of the blister package of FIG. 1;
FIG. 3 is a back view of the blister package of FIG. 1;
FIG. 4 is a right view of the blister package of FIG. 1;
FIG. 5 is a left side view of the blister package of FIG. 1;
FIG. 6 is a top view of the blister package of FIG. 1; and
FIG. 7 is a bottom view of the blister package of FIG. 1.

1 Claim, 7 Drawing Sheets



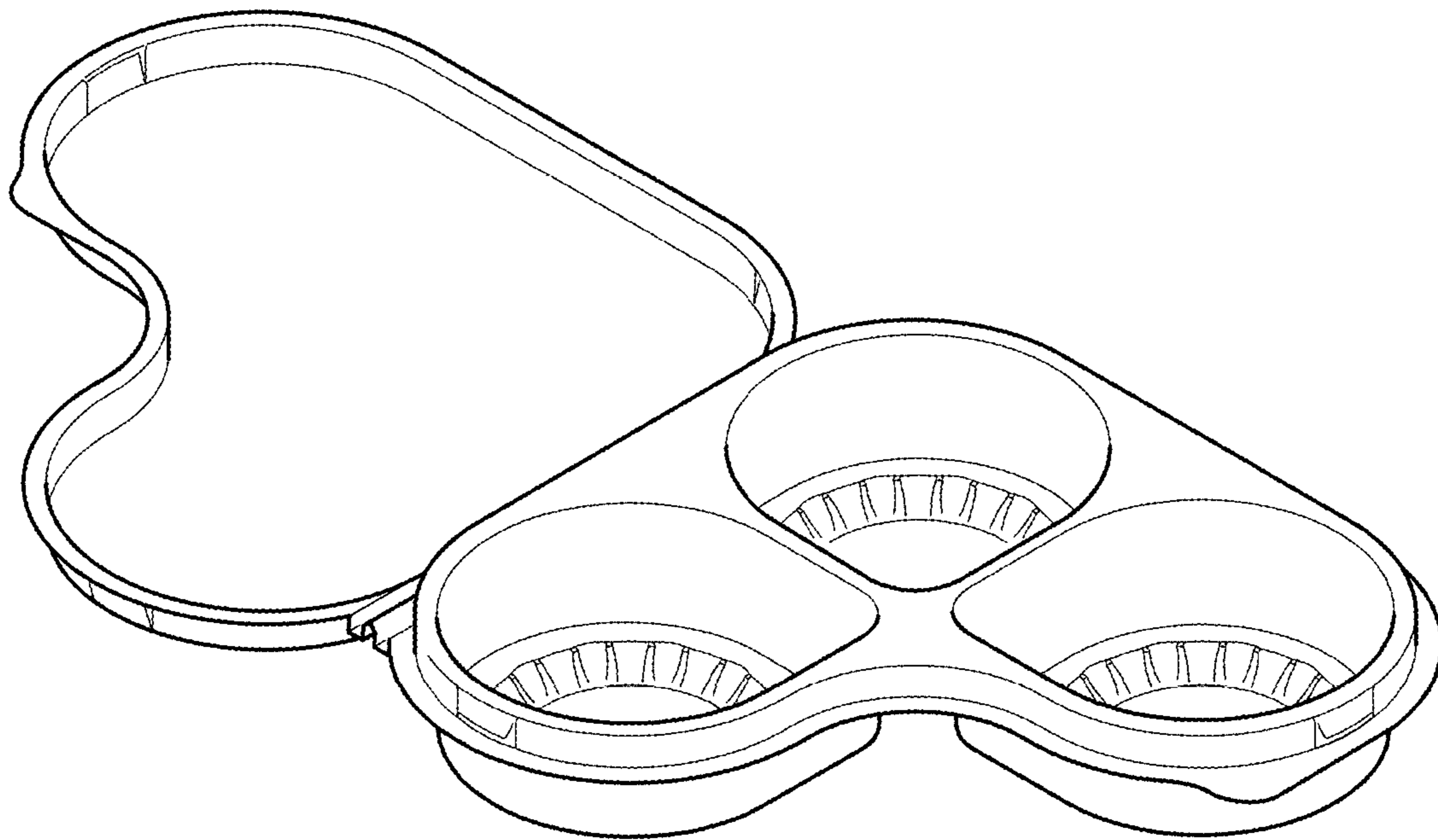


Fig. 1

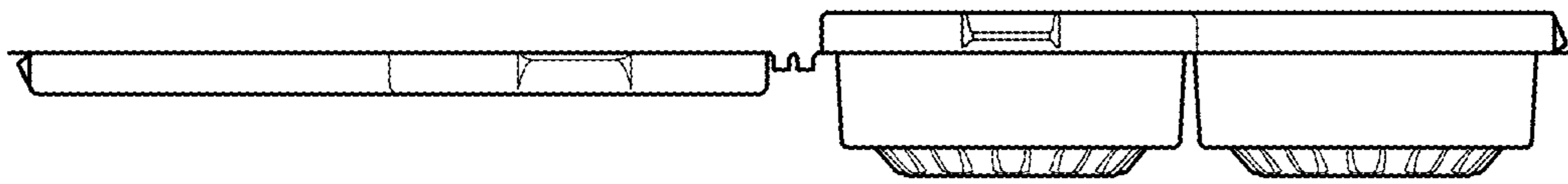


Fig 2

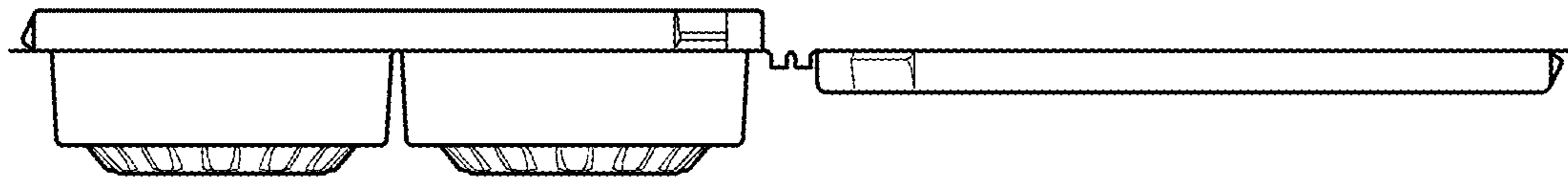


Fig. 3

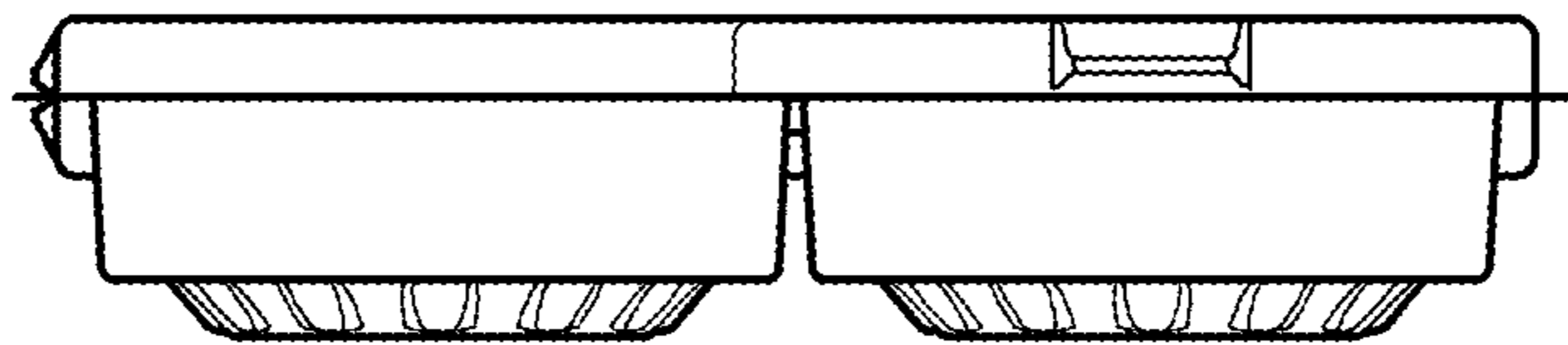


Fig. 4

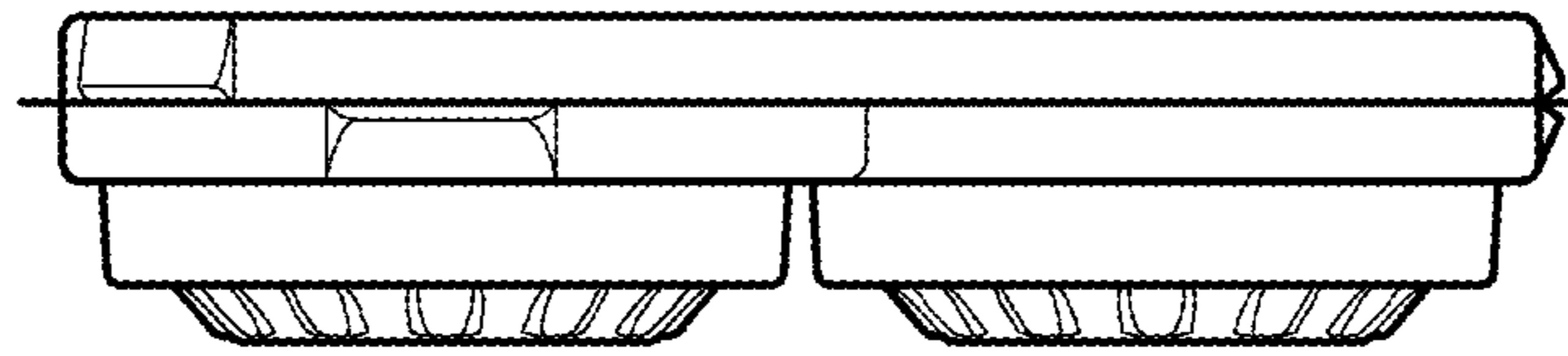


Fig. 5

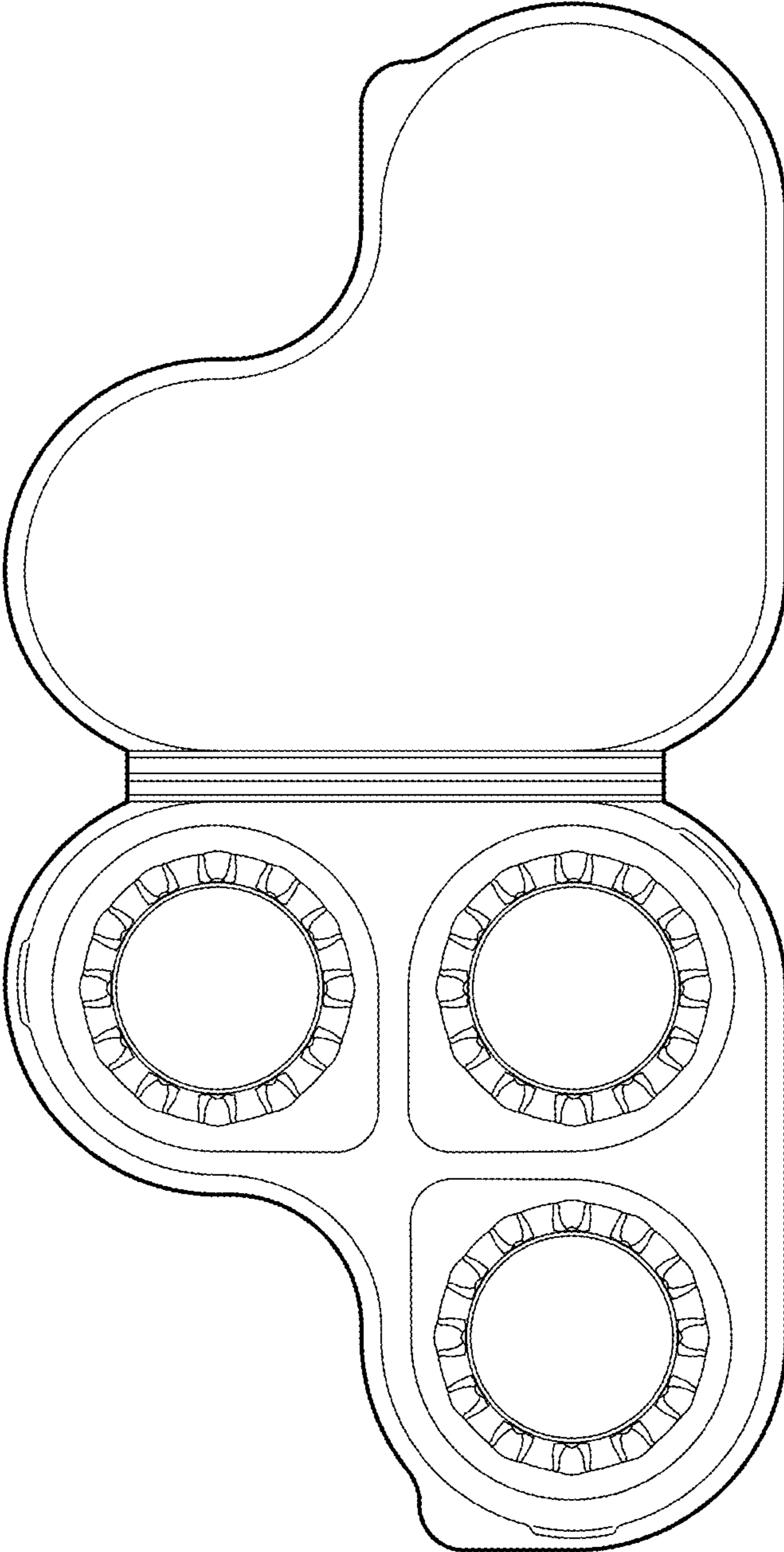


Fig 6

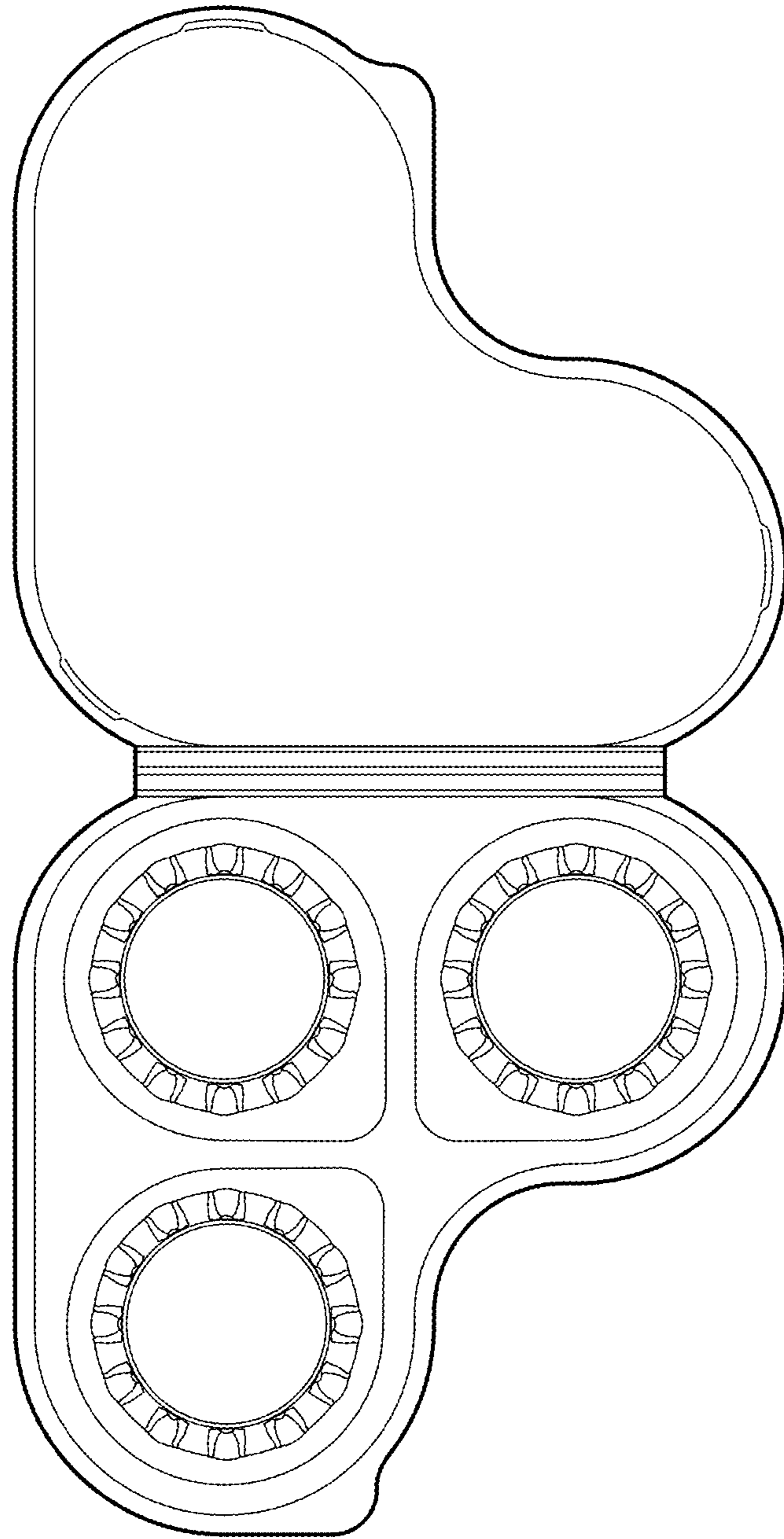


Fig 7