



US00D768475S

(12) **United States Design Patent** (10) **Patent No.:** **US D768,475 S**  
**Thompson et al.** (45) **Date of Patent:** **\*\* Oct. 11, 2016**

(54) **FEMININE HYGIENE ARTICLE PACKAGE**

(71) Applicant: **The Procter & Gamble Company**,  
Cincinnati, OH (US)

(72) Inventors: **Frances J. Thompson**, Pleasant Ridge,  
OH (US); **Jerry Ray Stephens**,  
Hamilton, OH (US); **Alan Thomas**  
**Kastner**, Cincinnati, OH (US)

(73) Assignee: **The Procter & Gamble Company**,  
Cincinnati, OH (US)

(\*\*) Term: **14 Years**

(21) Appl. No.: **29/486,323**

(22) Filed: **Mar. 28, 2014**

(51) **LOC (10) Cl.** ..... **09-03**

(52) **U.S. Cl.**  
USPC ..... **D9/414**

(58) **Field of Classification Search**  
USPC ..... D9/414, 432, 669; D5/56; 206/457;  
221/45; 229/122.2  
CPC ..... B65D 83/0894; A47K 10/42  
See application file for complete search history.

(56) **References Cited**

**U.S. PATENT DOCUMENTS**

- 2,373,701 A \* 4/1945 Meredith ..... B65D 5/18  
229/122.2
- 4,921,474 A 5/1990 Suzuki et al.
- D357,861 S \* 5/1995 Sawa ..... D9/432
- D415,565 S 10/1999 Hayes et al.
- D419,443 S \* 1/2000 Yonehara ..... D9/432
- 6,062,391 A \* 5/2000 Nahum-Albright B65D 77/0426
  
- D489,002 S \* 4/2004 Meyer ..... 206/457  
D9/669
- D496,275 S \* 9/2004 Hamuro ..... D9/432
- D527,253 S \* 8/2006 Hamuro ..... D9/432
- D566,545 S \* 4/2008 Bone ..... D9/432

- D567,080 S \* 4/2008 Bone ..... D9/432
- D587,111 S \* 2/2009 Seol ..... D5/56
- D590,250 S \* 4/2009 Seol ..... D5/56
- D590,251 S \* 4/2009 Seol ..... D5/56
- D590,252 S \* 4/2009 Seol ..... D9/432
- D590,253 S \* 4/2009 Seol ..... D5/56
- D599,201 S \* 9/2009 Seol ..... D9/432
- D600,548 S \* 9/2009 Seol ..... D9/432

(Continued)

**FOREIGN PATENT DOCUMENTS**

WO WO 2014041807 A1 3/2014

**OTHER PUBLICATIONS**

U.S. Appl. No. 29/486,325, filed Mar. 28, 2014, De Soto-Burt, et al.  
(Continued)

*Primary Examiner* — Holly Baynham

*Assistant Examiner* — Rhea Shields

(74) *Attorney, Agent, or Firm* — George H. Leal; Megan  
C. Hymore

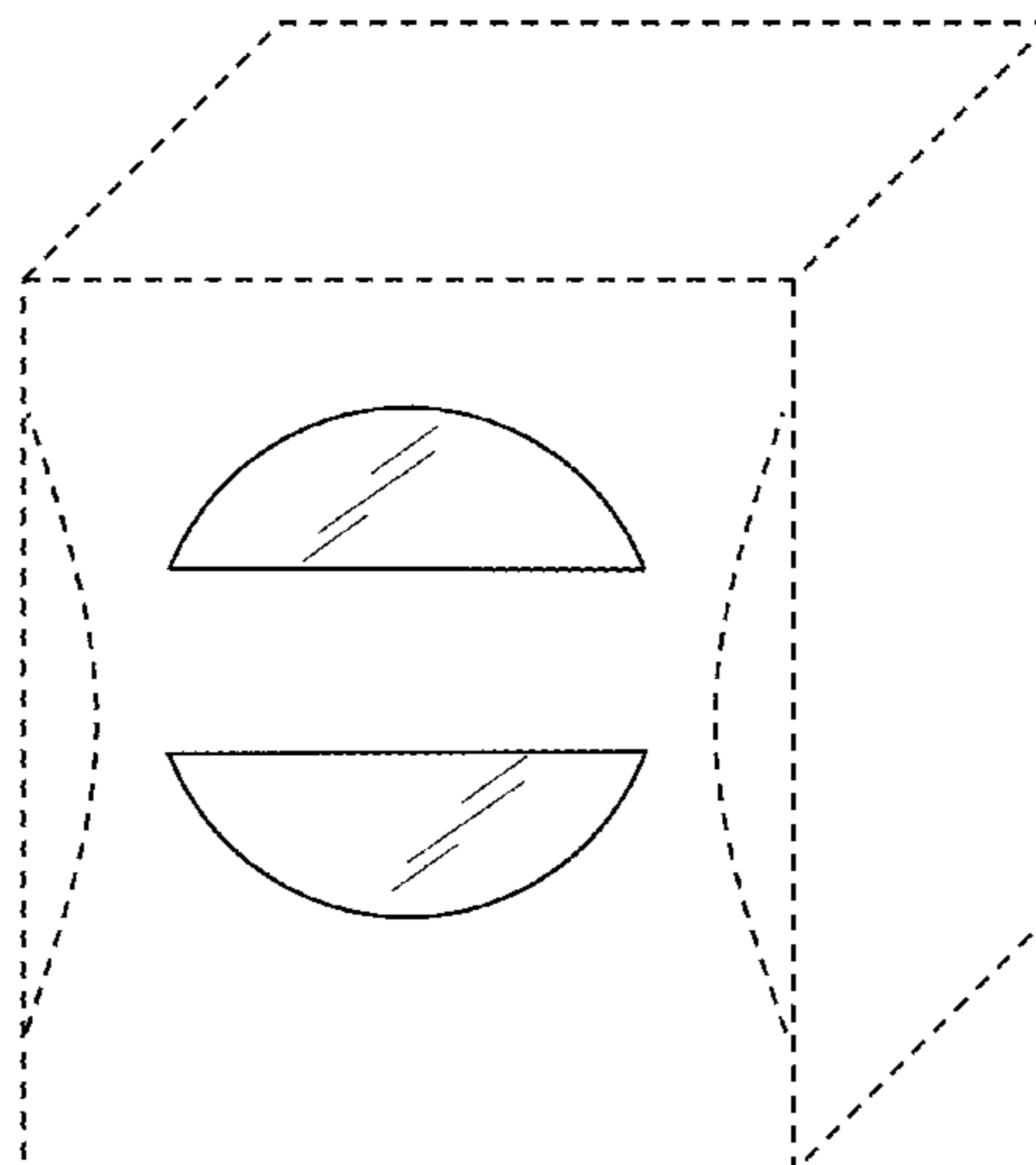
(57) **CLAIM**

The ornamental design for a feminine hygiene article pack-  
age, as shown and described.

**DESCRIPTION**

FIG. 1 is a front perspective view of a feminine hygiene  
article package embodying my new design;  
FIG. 2 is a front view of the design shown in FIG. 1;  
FIG. 3 is a back view of the design shown in FIG. 1; the right  
side and left side views are the same and thus omitted; and,  
FIG. 4 is a top view of the design shown in FIG. 1; the  
bottom view is the same and thus omitted. The figures are  
lined for transparency.  
In the drawings, the broken lines are for the purpose of  
illustrating environment only and form no part of the  
claimed design.

**1 Claim, 4 Drawing Sheets**



(56)

**References Cited**

2012/0273513 A1\* 11/2012 Stephens ..... A47K 10/42  
221/45

U.S. PATENT DOCUMENTS

D603,701 S \* 11/2009 Seol ..... D9/432  
D608,636 S \* 1/2010 Seol ..... D9/432  
D612,261 S \* 3/2010 Champion ..... D9/432  
D620,592 S 7/2010 VanDenBogart et al.  
2010/0006462 A1\* 1/2010 McGuire ..... B65D 83/0894  
206/457

OTHER PUBLICATIONS

U.S. Appl. No. 29/486,322, filed Mar. 28, 2014, Stephens.

\* cited by examiner

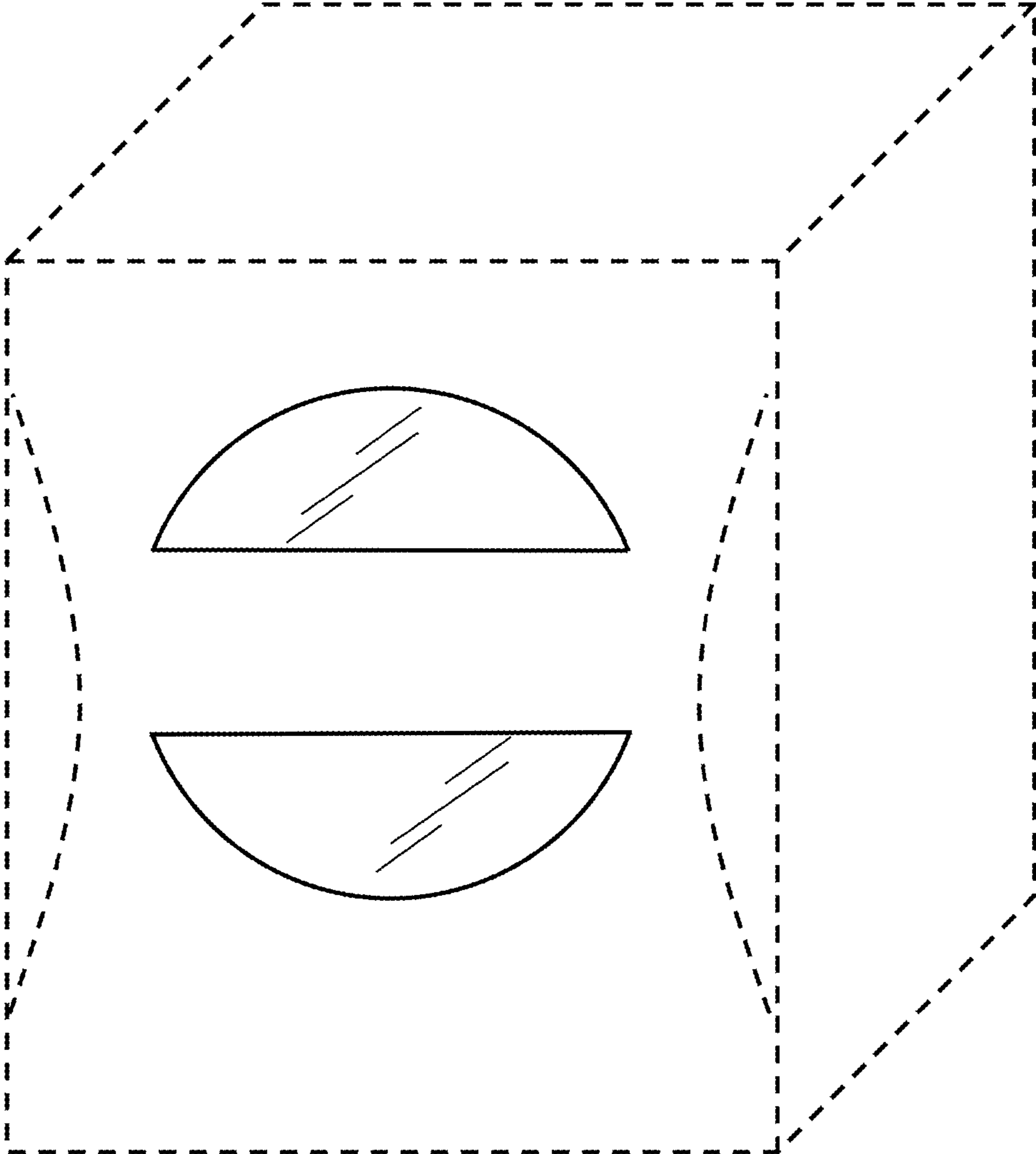


Figure 1

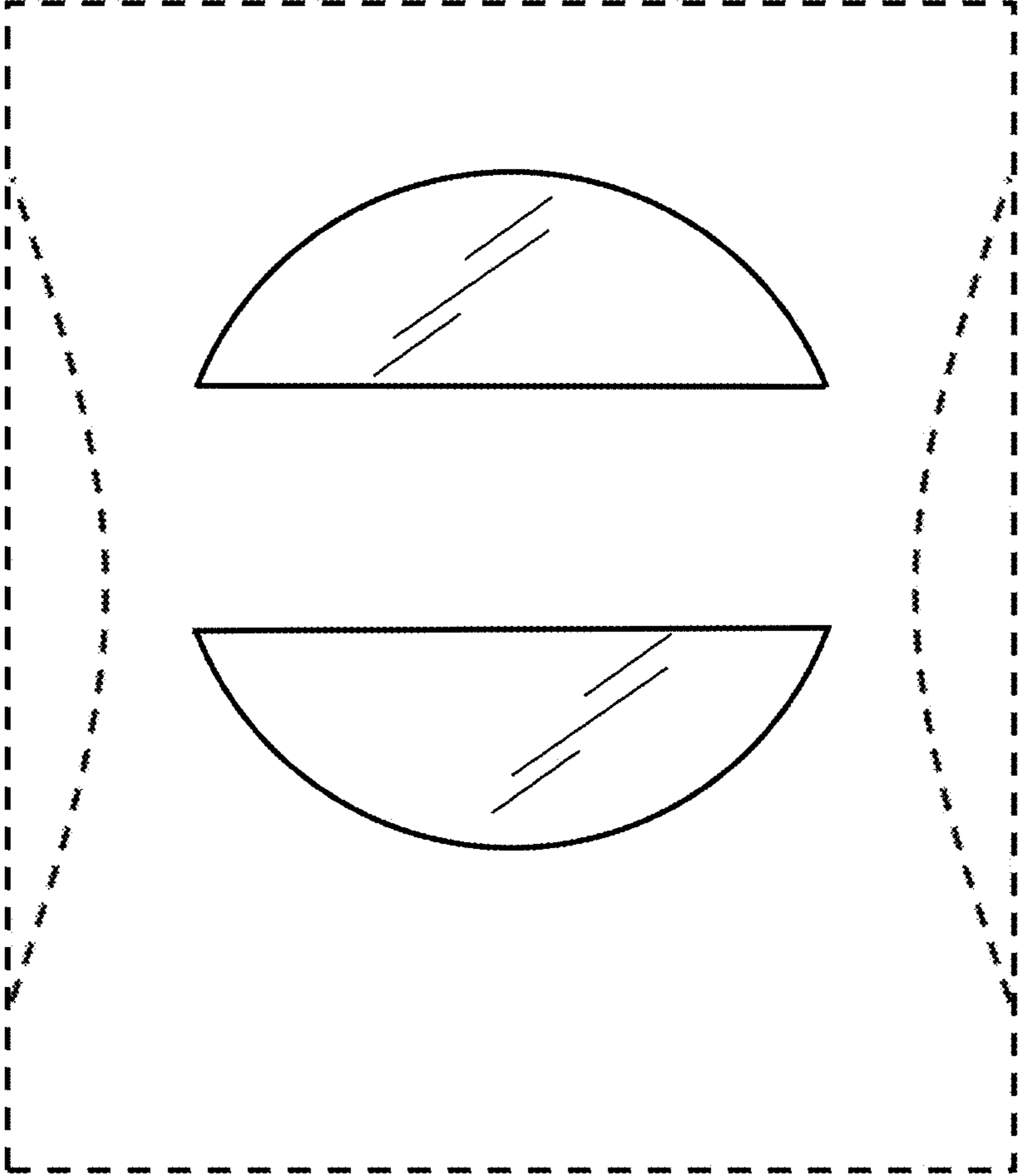


Figure 2



**Figure 3**



**Figure 4**