



US00D768473S

(12) **United States Design Patent**
Manwaring et al.

(10) **Patent No.:** **US D768,473 S**
(45) **Date of Patent:** **** Oct. 11, 2016**

(54) **MANDREL**
(71) Applicant: **MAGNA-SONIC STRESS TESTERS INC.**, Vernal, UT (US)
(72) Inventors: **Kevin Manwaring**, Vernal, UT (US);
Kenneth John Ballash, Eagle Mountain, UT (US)
(73) Assignee: **MAGNA-SONIC STRESS TESTERS INC.**, Vernal, UT (US)

5,901,594 A * 5/1999 Wasson B21D 39/203
72/370.08
7,160,630 B2 * 1/2007 Klos C25D 5/48
411/378
D543,259 S * 5/2007 Chueh D23/262
D545,405 S * 6/2007 Nightlinger D23/260
D550,072 S * 9/2007 Ardern D8/387
D622,582 S * 8/2010 Lottner D8/387
D722,489 S * 2/2015 Yamazaki D8/387
D728,356 S * 5/2015 Kury D8/397
D733,546 S * 7/2015 Balzhiser D8/387

* cited by examiner

(**) Term: **14 Years**

Primary Examiner — Susan Bennett Hattan
Assistant Examiner — Brett Miller

(21) Appl. No.: **29/501,703**

(74) *Attorney, Agent, or Firm* — Maschoff Brennan

(22) Filed: **Sep. 8, 2014**

(51) **LOC (10) Cl.** **08-08**

(57) **CLAIM**

(52) **U.S. Cl.**
USPC **D8/387**; D23/262

The ornamental design for a mandrel, as shown and described.

(58) **Field of Classification Search**
USPC D15/124–144; D8/387, 397;
D23/259–262, 265, 296
CPC F16B 25/0047; F16B 25/0078; B29C
33/485
See application file for complete search history.

DESCRIPTION

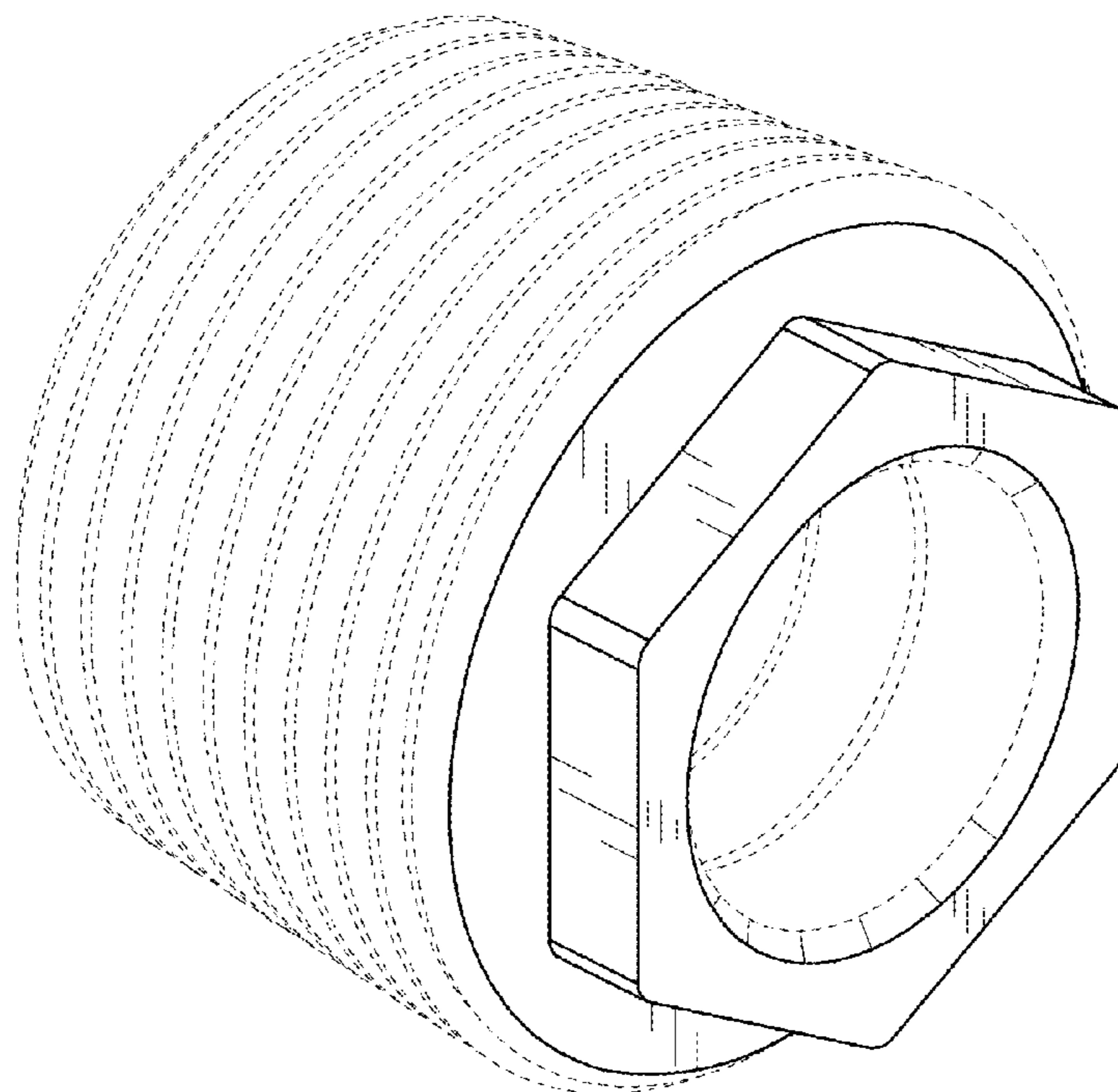
(56) **References Cited**

U.S. PATENT DOCUMENTS

D243,510 S * 3/1977 Shirey D8/387
D249,322 S * 9/1978 Diffenderfer D8/387
D328,903 S * 8/1992 Bonbright D15/5
5,618,145 A * 4/1997 Kuo F16B 21/186
411/368

FIG. 1 is a perspective view of a mandrel according to the present invention;
FIG. 2 is a right elevational view thereof;
FIG. 3 is a left elevational view thereof;
FIG. 4 is a front elevational view thereof;
FIG. 5 is a back elevational view thereof;
FIG. 6 is a top plan view thereof; and,
FIG. 7 is a bottom plan view thereof.
The broken lines depict unclaimed portions of the mandrel and form no part of the claimed design.

1 Claim, 3 Drawing Sheets



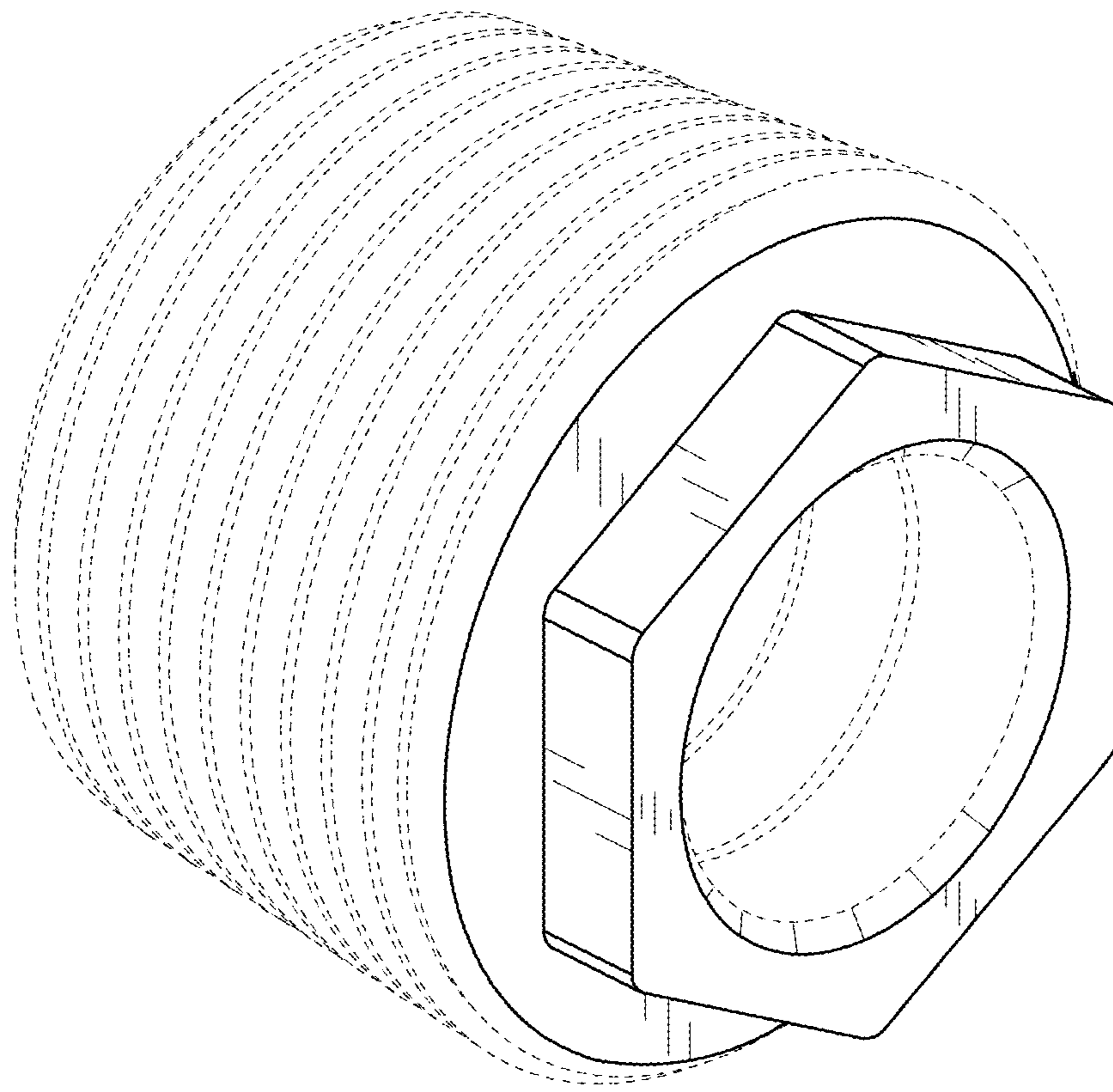


FIG. 1

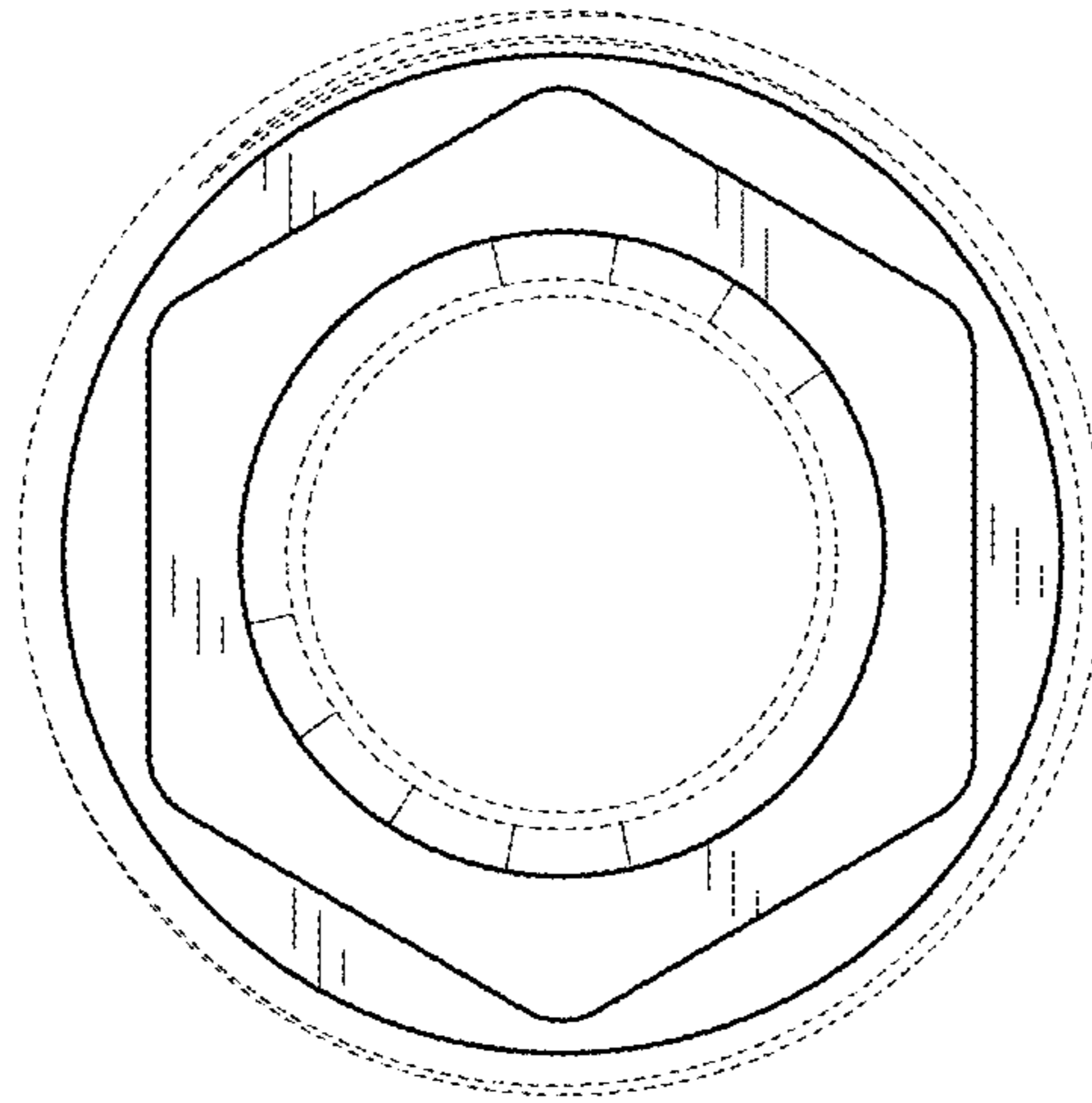


FIG. 2

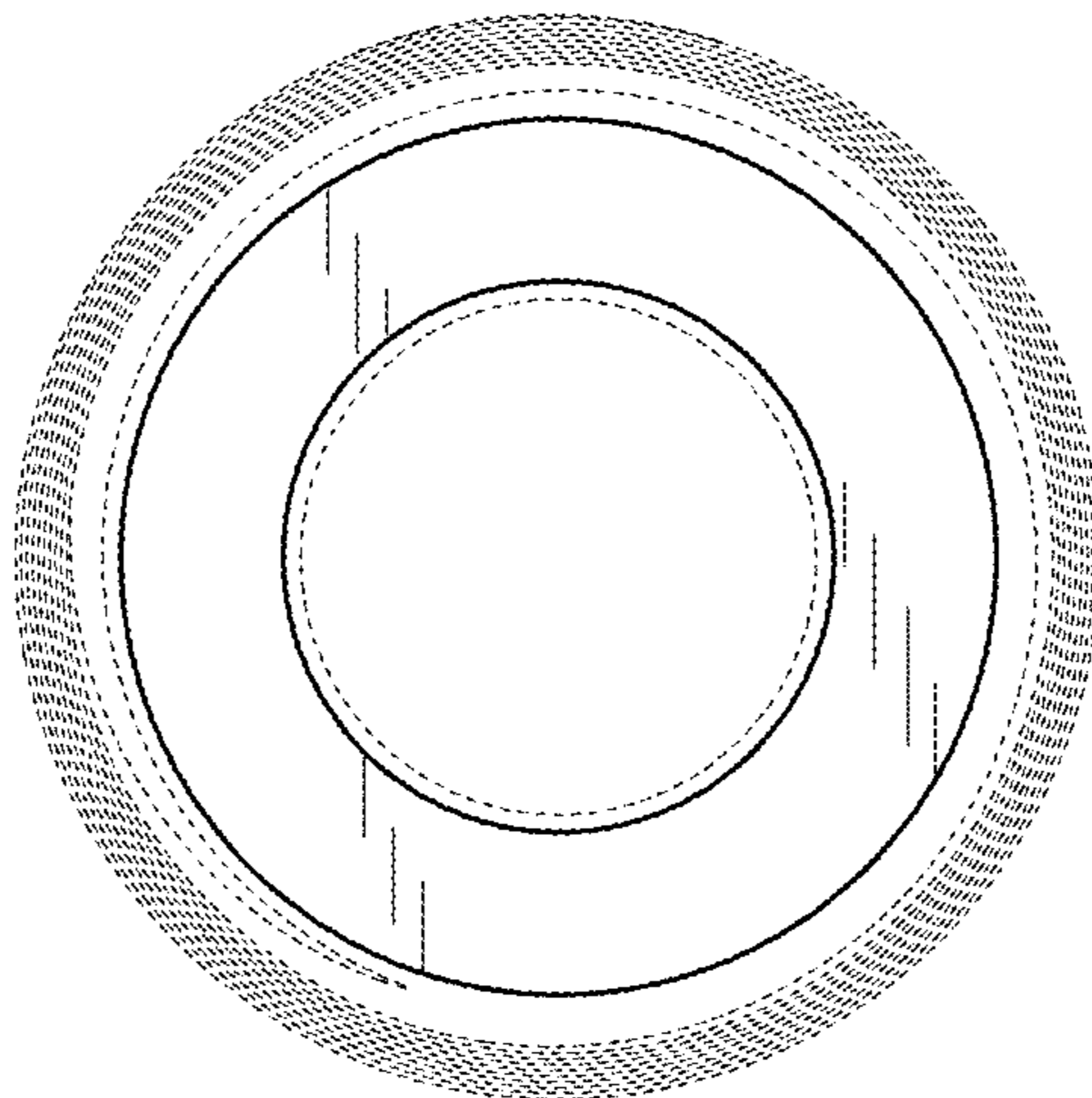


FIG. 3

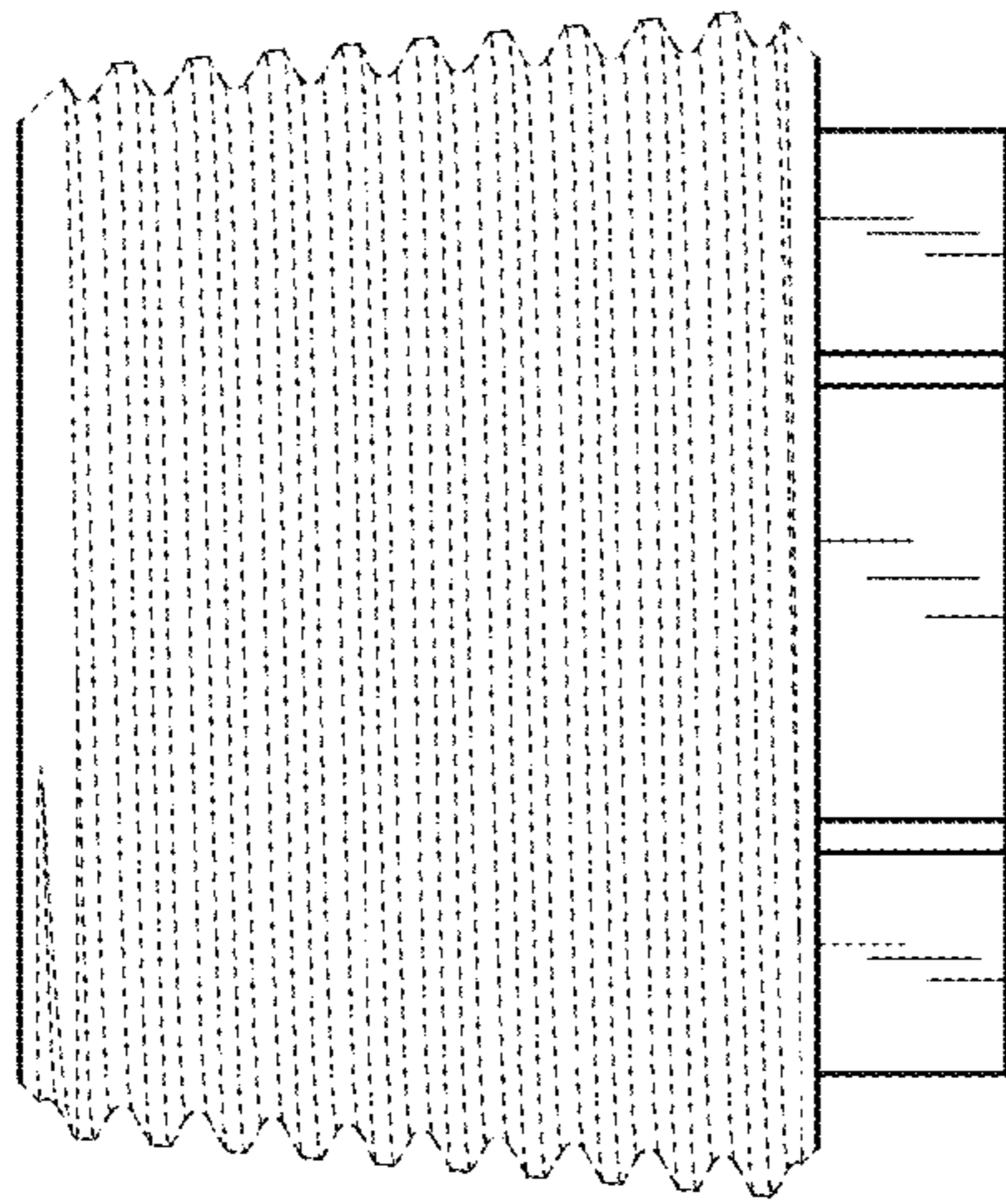


FIG. 4

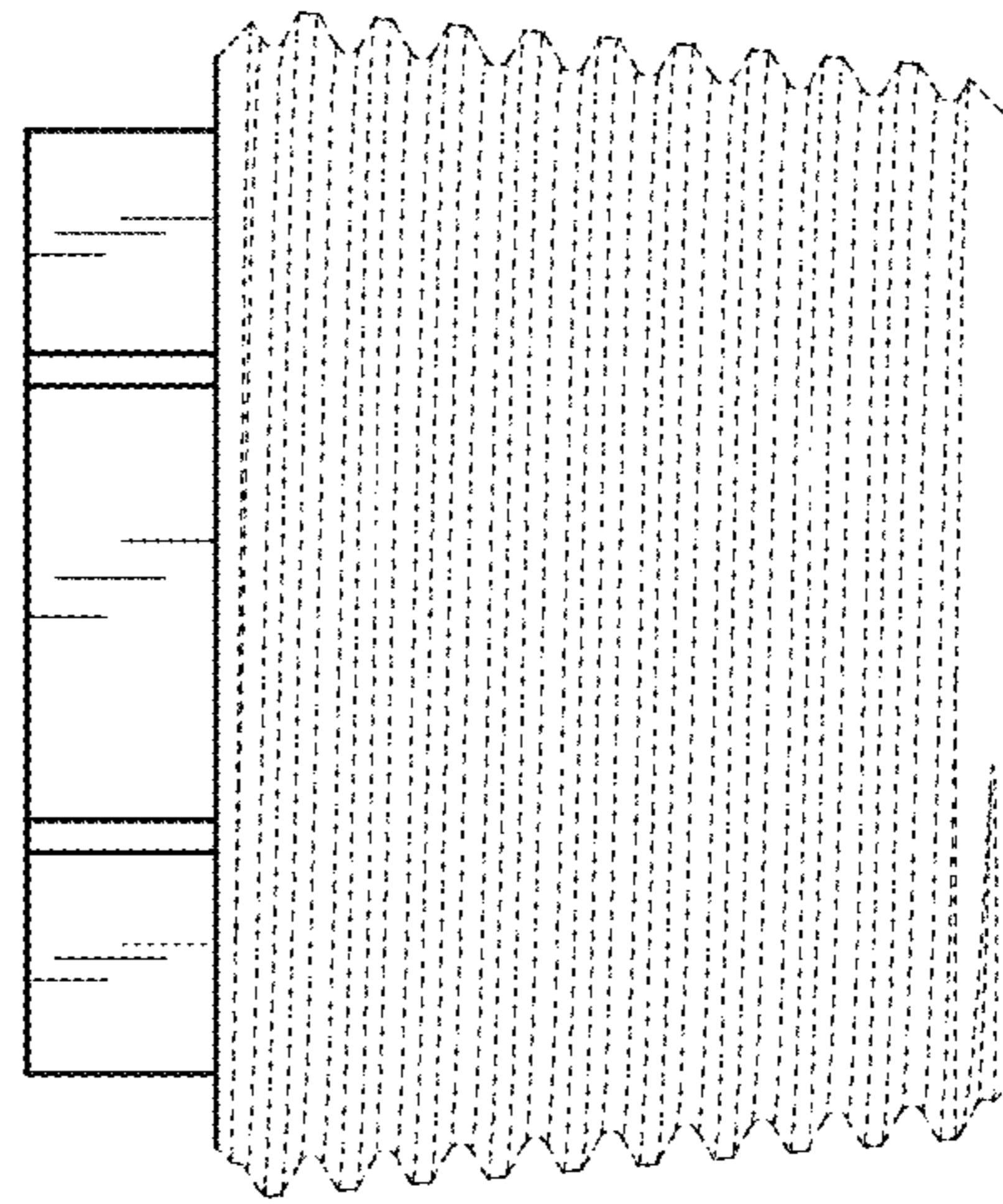


FIG. 5

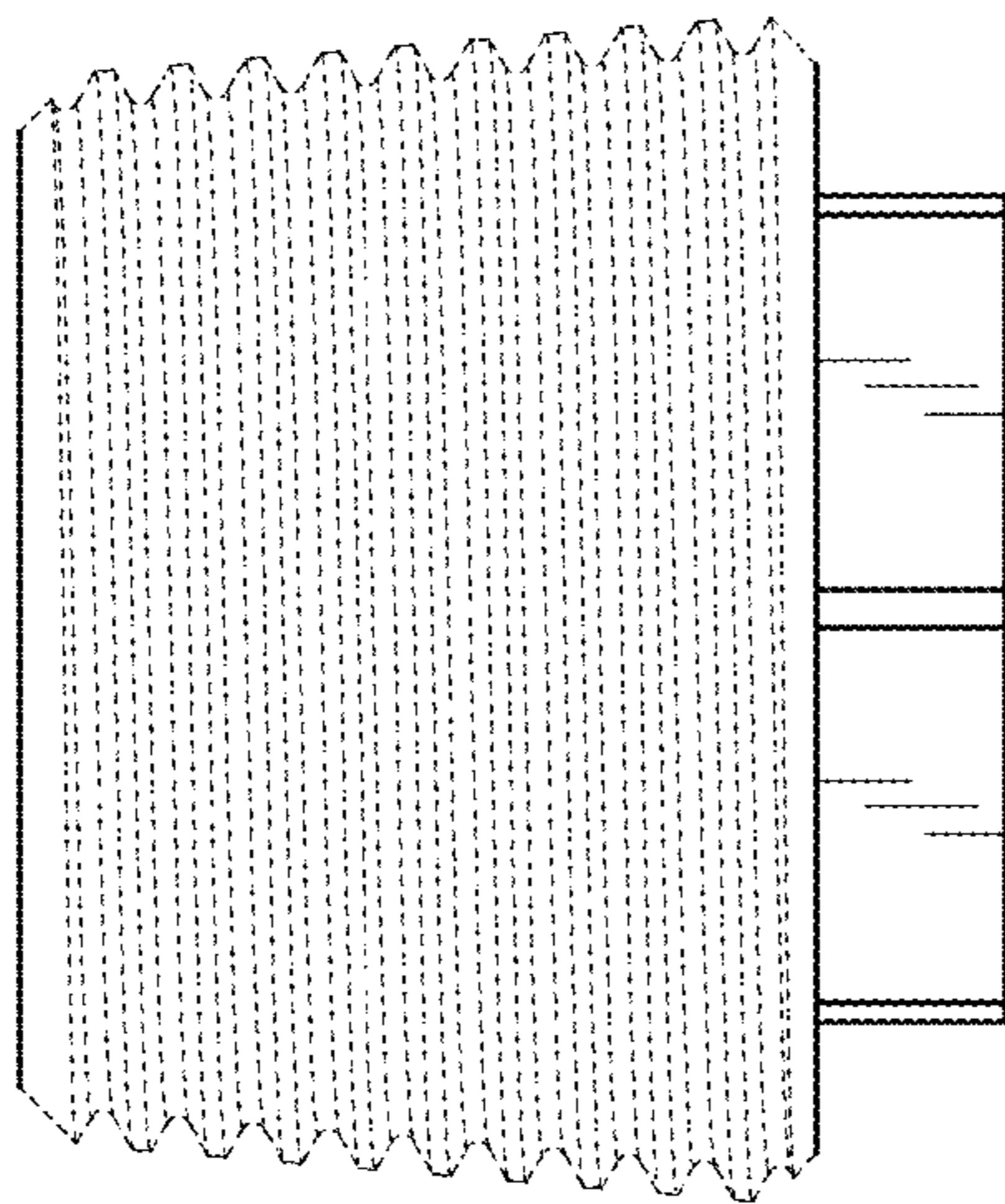


FIG. 6

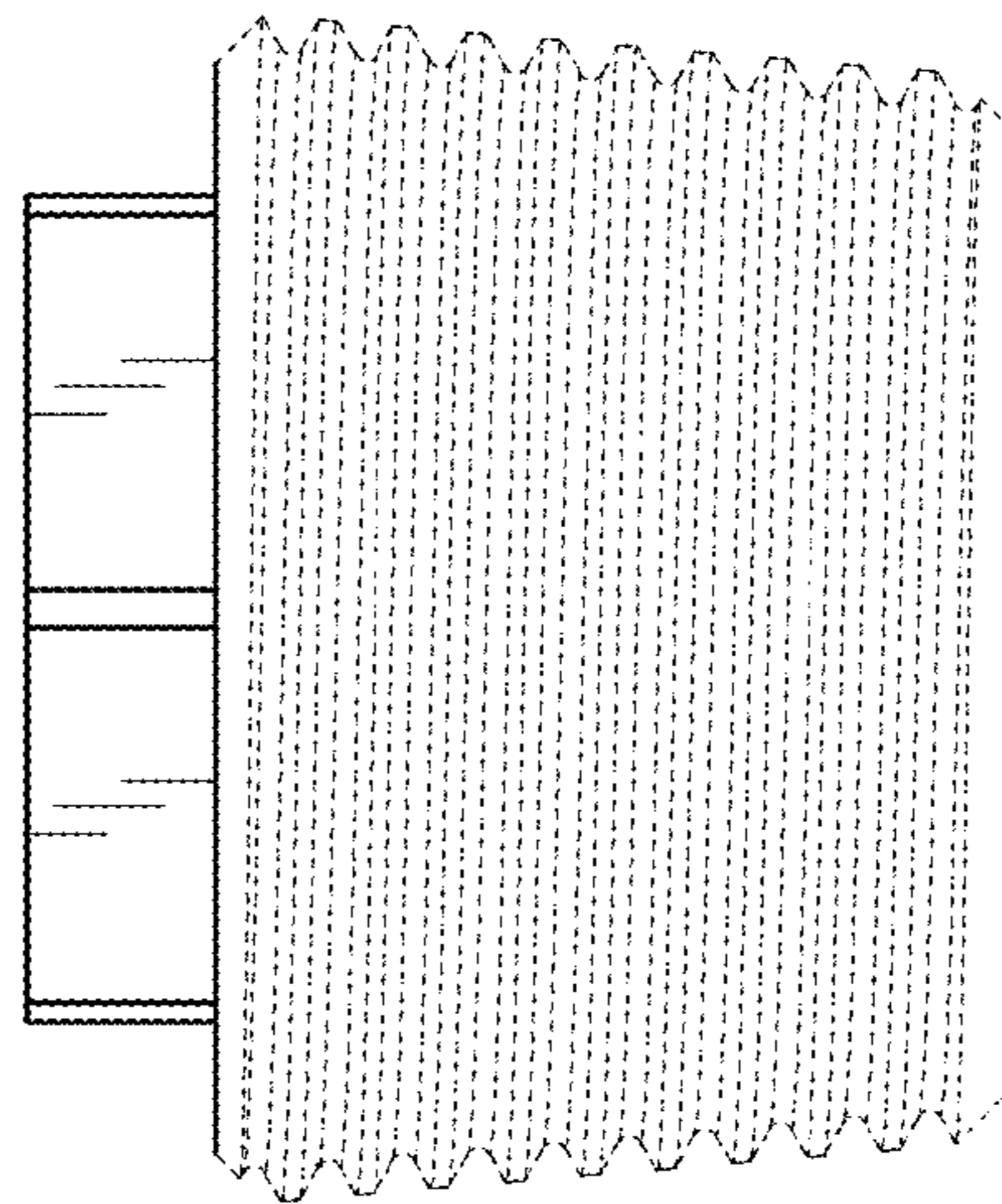


FIG. 7