



US00D768472S

(12) **United States Design Patent** (10) **Patent No.:** **US D768,472 S**
Yoshihashi (45) **Date of Patent:** **** Oct. 11, 2016**

(54) **CLIP**
(71) Applicant: **DAIWA KASEI KOGYO**
KABUSHIKI KAISHA, Okazaki-shi,
Aichi-ken (JP)
(72) Inventor: **Kiyohiro Yoshihashi**, Toyota (JP)
(73) Assignee: **DAIWA KASEI KOGYO**
KABUSHIKI KAISHA, Okazaki-Shi,
Aichi-Ken (JP)
(**) Term: **15 Years**
(21) Appl. No.: **29/531,315**
(22) Filed: **Jun. 25, 2015**
(30) **Foreign Application Priority Data**

Dec. 25, 2014 (JP) 2014029145

(51) **LOC (10) Cl.** **08-08**
(52) **U.S. Cl.**
USPC **D8/382**
(58) **Field of Classification Search**
USPC D8/382, 383, 384, 385, 394, 395
CPC .. B60R 13/0206; F16B 1/0014; F16B 5/065;
F16B 21/08; F16B 21/06; F16B 21/086;
Y10T 24/45105; Y10T 24/309
See application file for complete search history.

(56) **References Cited**
U.S. PATENT DOCUMENTS
4,668,145 A * 5/1987 Hirohata F16B 5/065
411/45
4,787,795 A * 11/1988 Kraus F16B 21/086
411/182
5,573,362 A * 11/1996 Asami F16B 21/086
411/182

5,630,256 A * 5/1997 Kanno B60J 3/0213
24/297
D456,699 S * 5/2002 Nakanishi D8/382
D549,566 S * 8/2007 Kamiya D8/395
D666,900 S * 9/2012 Ogino D8/385
D701,112 S * 3/2014 Ukai D8/382
D701,450 S * 3/2014 Ukai D8/382
D724,419 S * 3/2015 Ikeda D8/382
2002/0131846 A1 * 9/2002 Kojima F16B 21/086
411/508
2004/0238204 A1 * 12/2004 Ono B60R 16/0215
174/135
2005/0079033 A1 * 4/2005 Benedetti F16B 21/086
411/508
2008/0089741 A1 * 4/2008 Legat F16B 21/086
403/397
2009/0089982 A1 * 4/2009 Higgins F16B 21/086
24/297
2010/0293761 A1 * 11/2010 Koike F16B 21/086
24/458
2012/0131770 A1 * 5/2012 Iwahara F16B 21/086
24/458
2015/0322985 A1 * 11/2015 Scroggie F16B 19/008
29/428

* cited by examiner

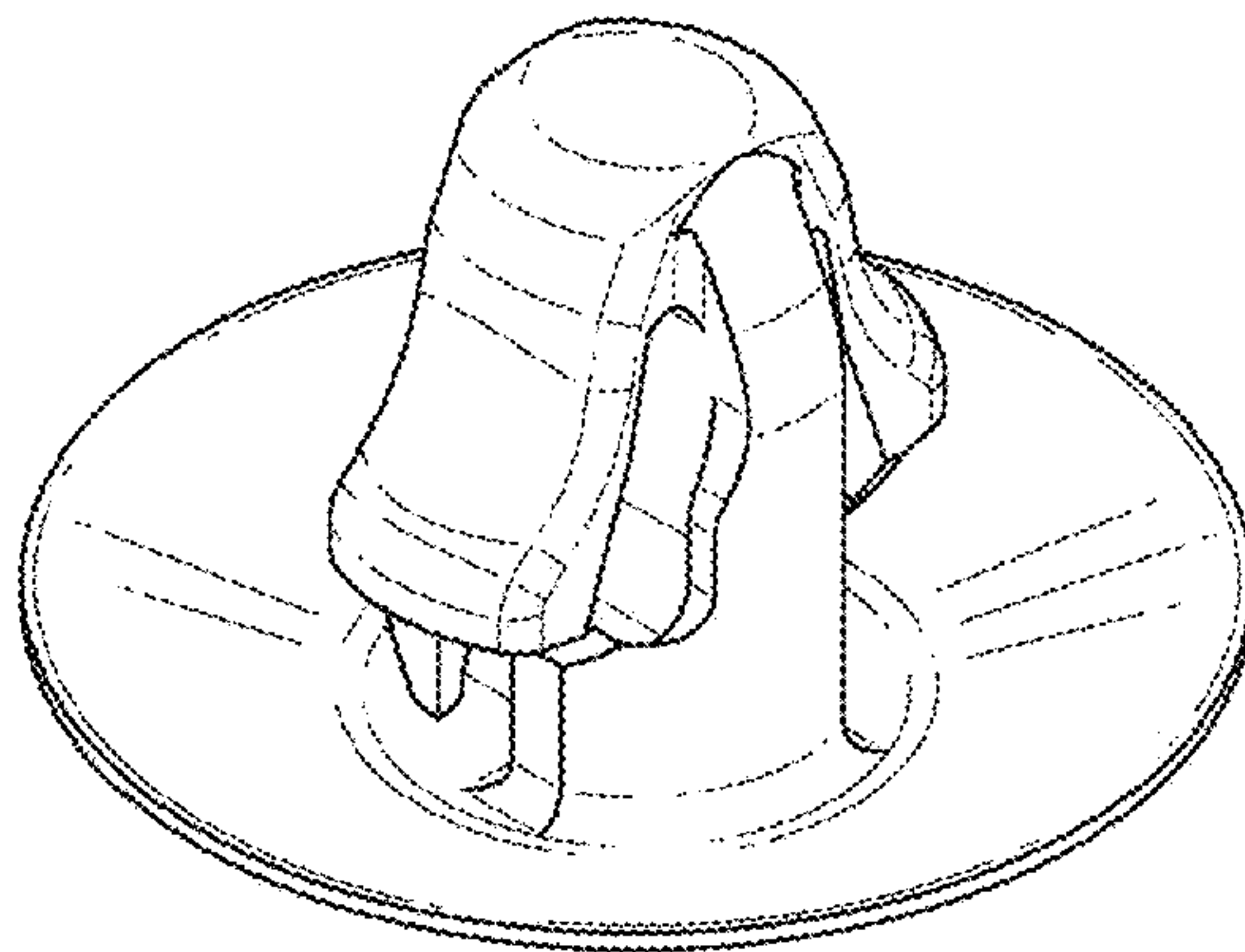
Primary Examiner — Sheryl Lane
Assistant Examiner — Ieisha Price
(74) *Attorney, Agent, or Firm* — Ladas & Parry LLP

(57) **CLAIM**
The ornamental design for a clip, as shown and described.

DESCRIPTION

FIG. 1 is a first perspective view showing my new design;
FIG. 2 is a second perspective view thereof;
FIG. 3 is front elevation view thereof;
FIG. 4 is a right side elevation view thereof;
FIG. 5 is a top plan view thereof;
FIG. 6 is a bottom plan view thereof; and,
FIG. 7 is an environmental sectional view taken along line
7-7 of FIG. 5.

1 Claim, 4 Drawing Sheets



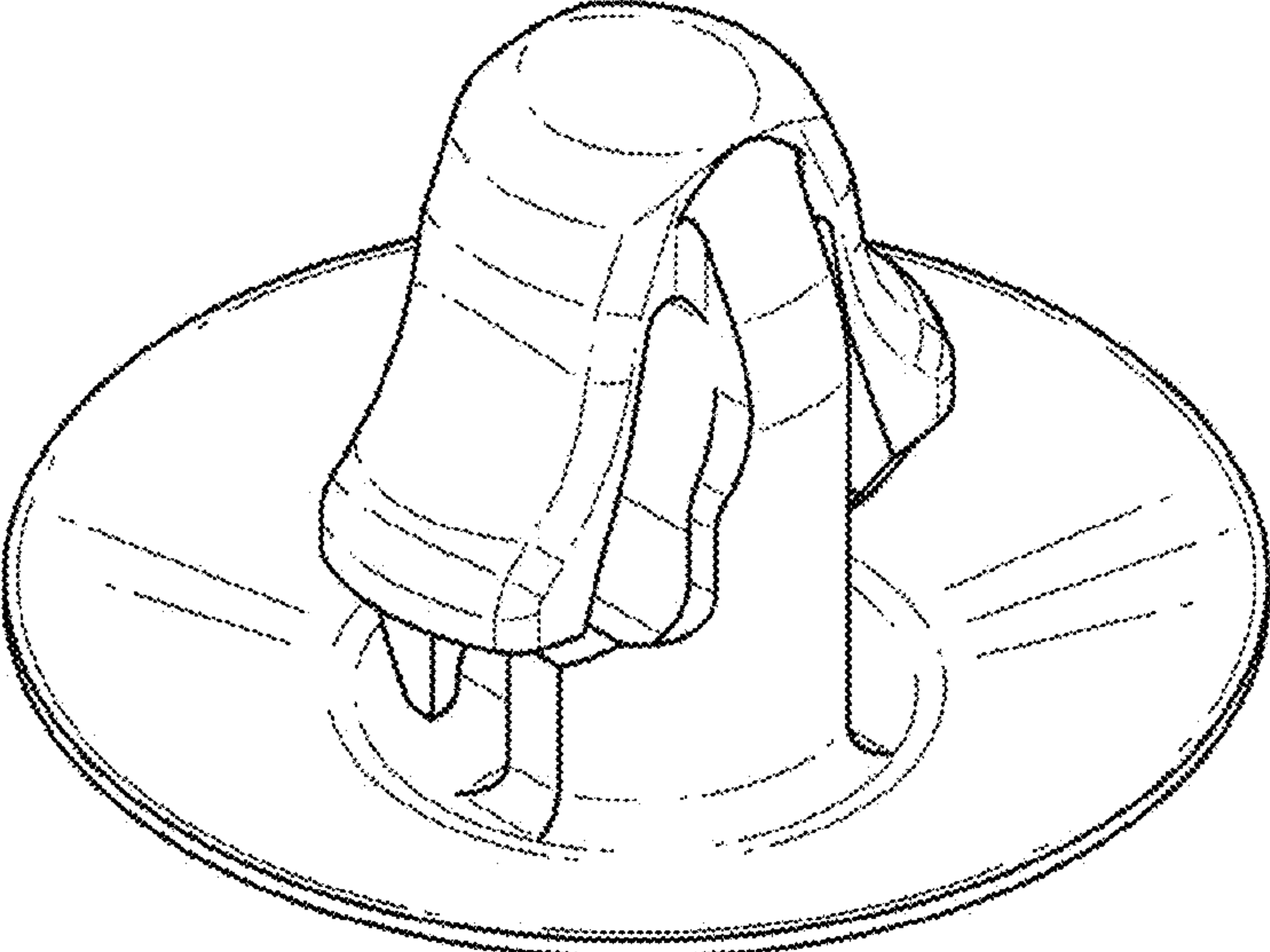


FIG. 1

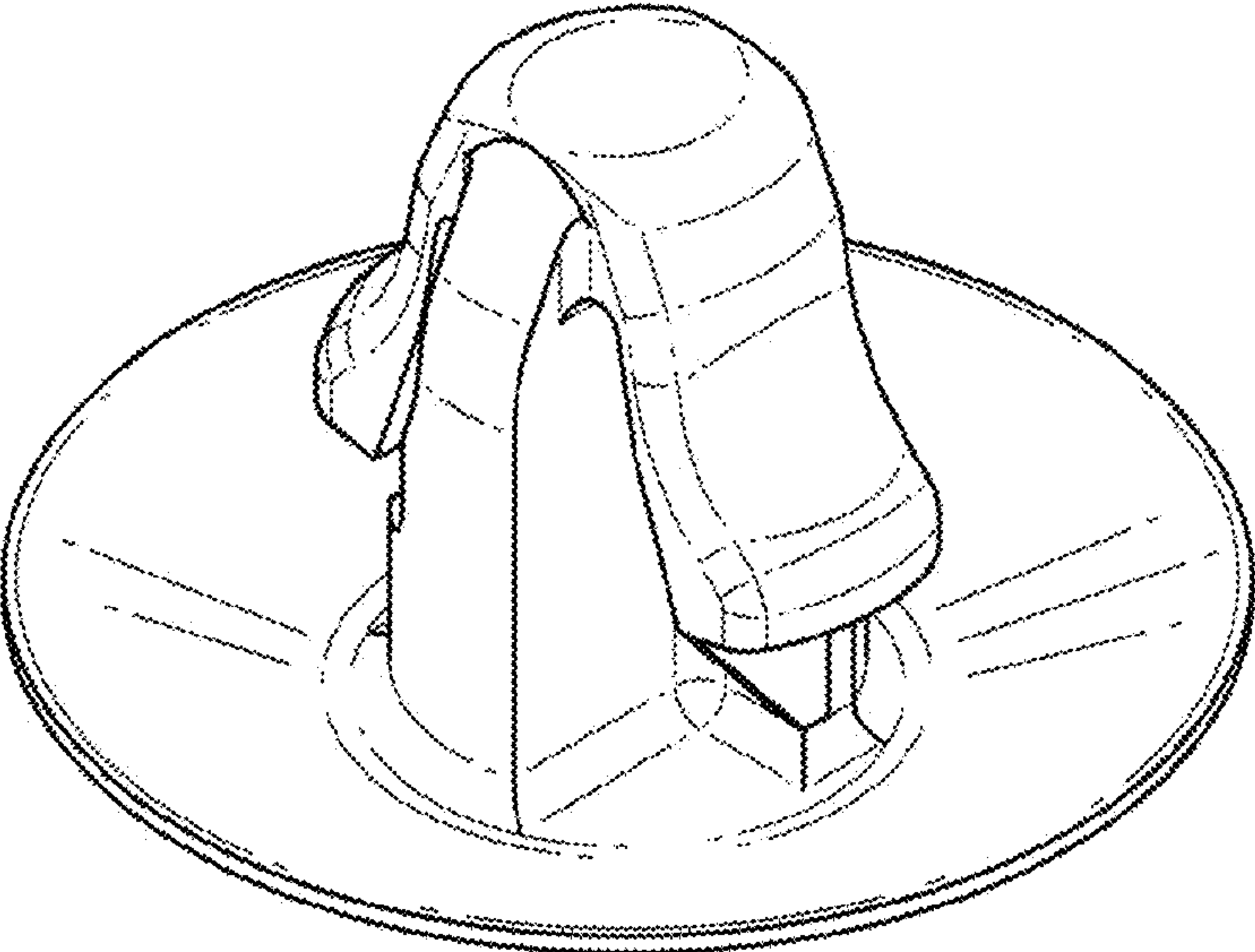


FIG. 2

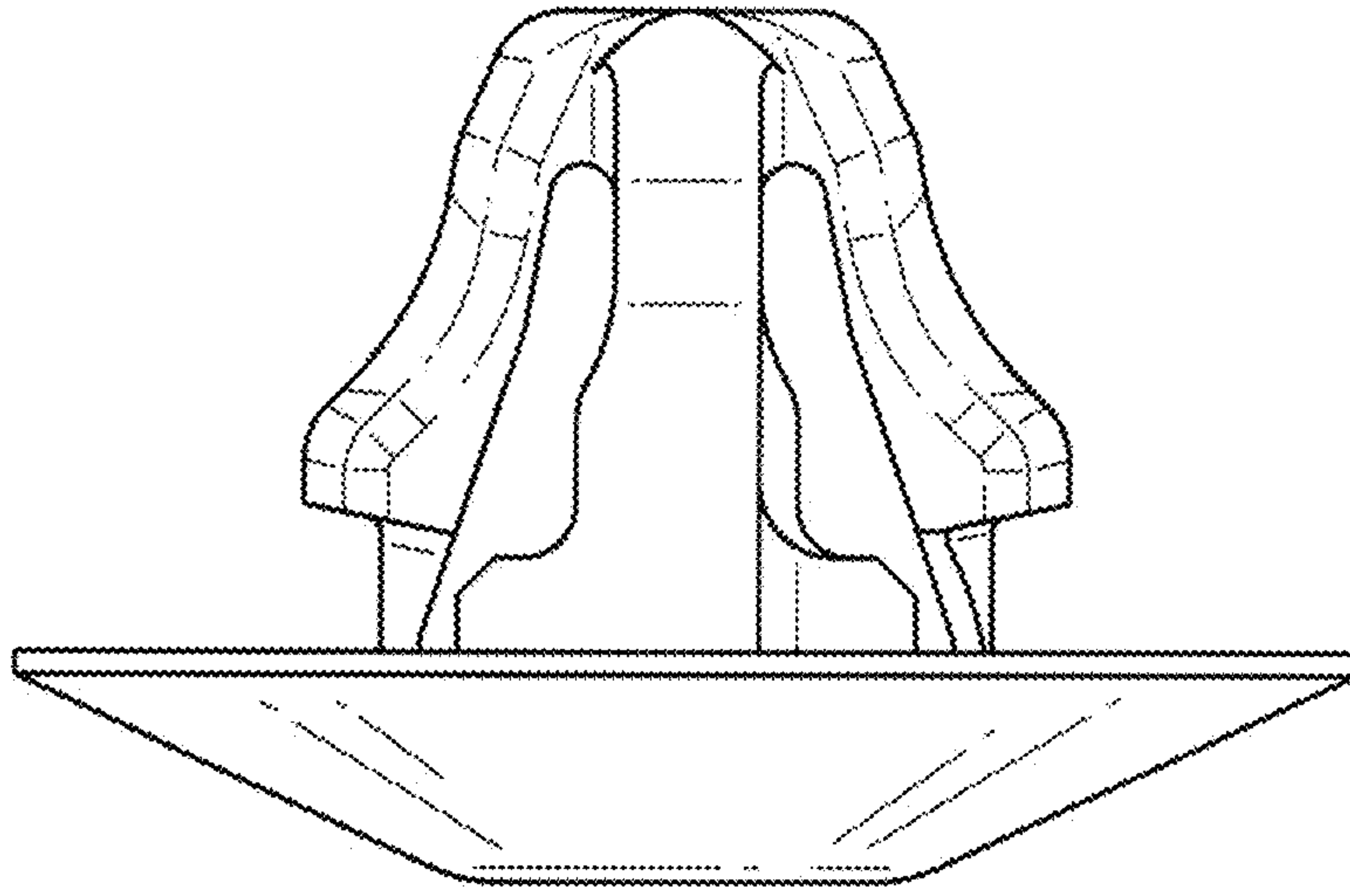


FIG. 3

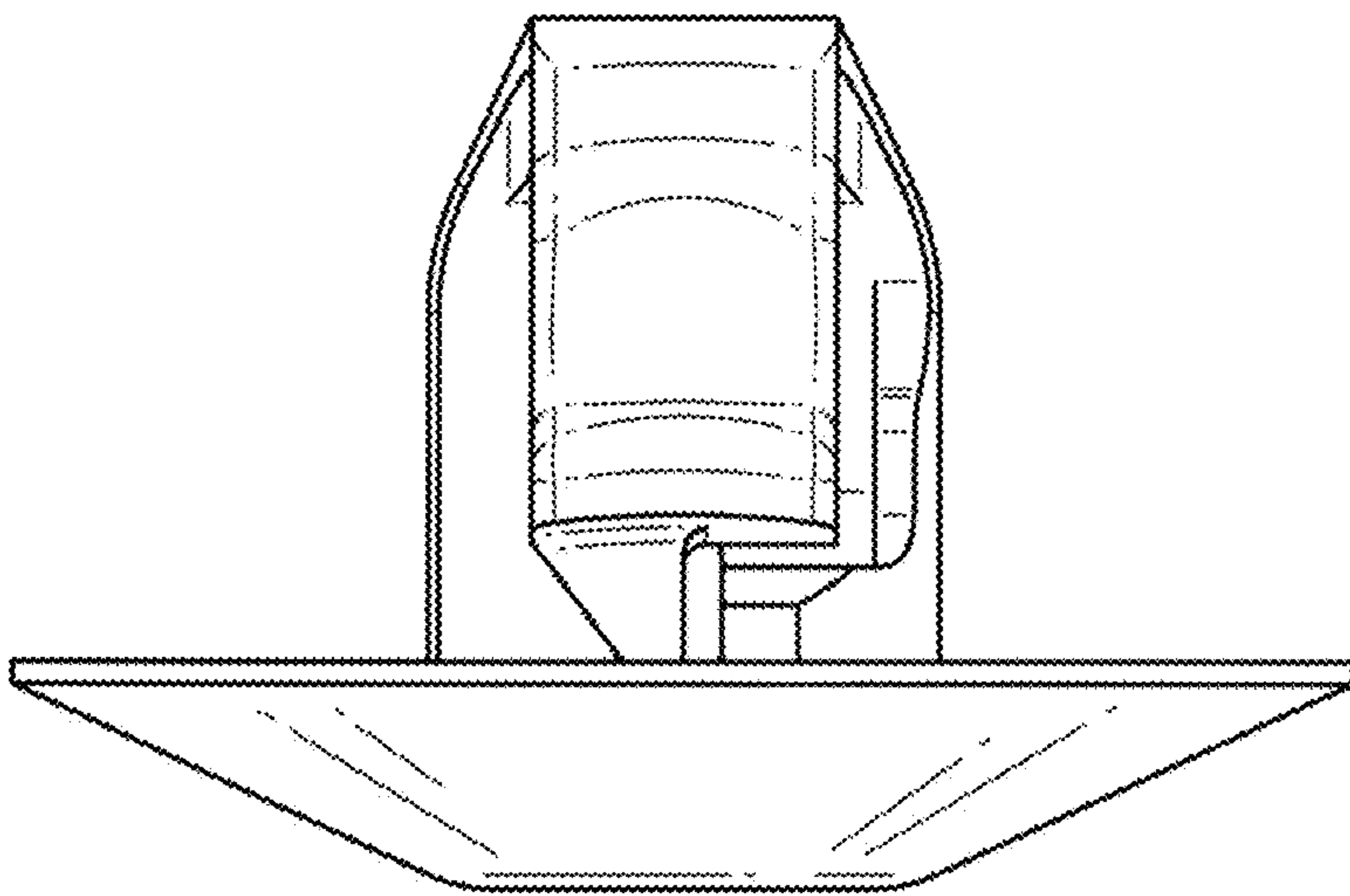


FIG. 4

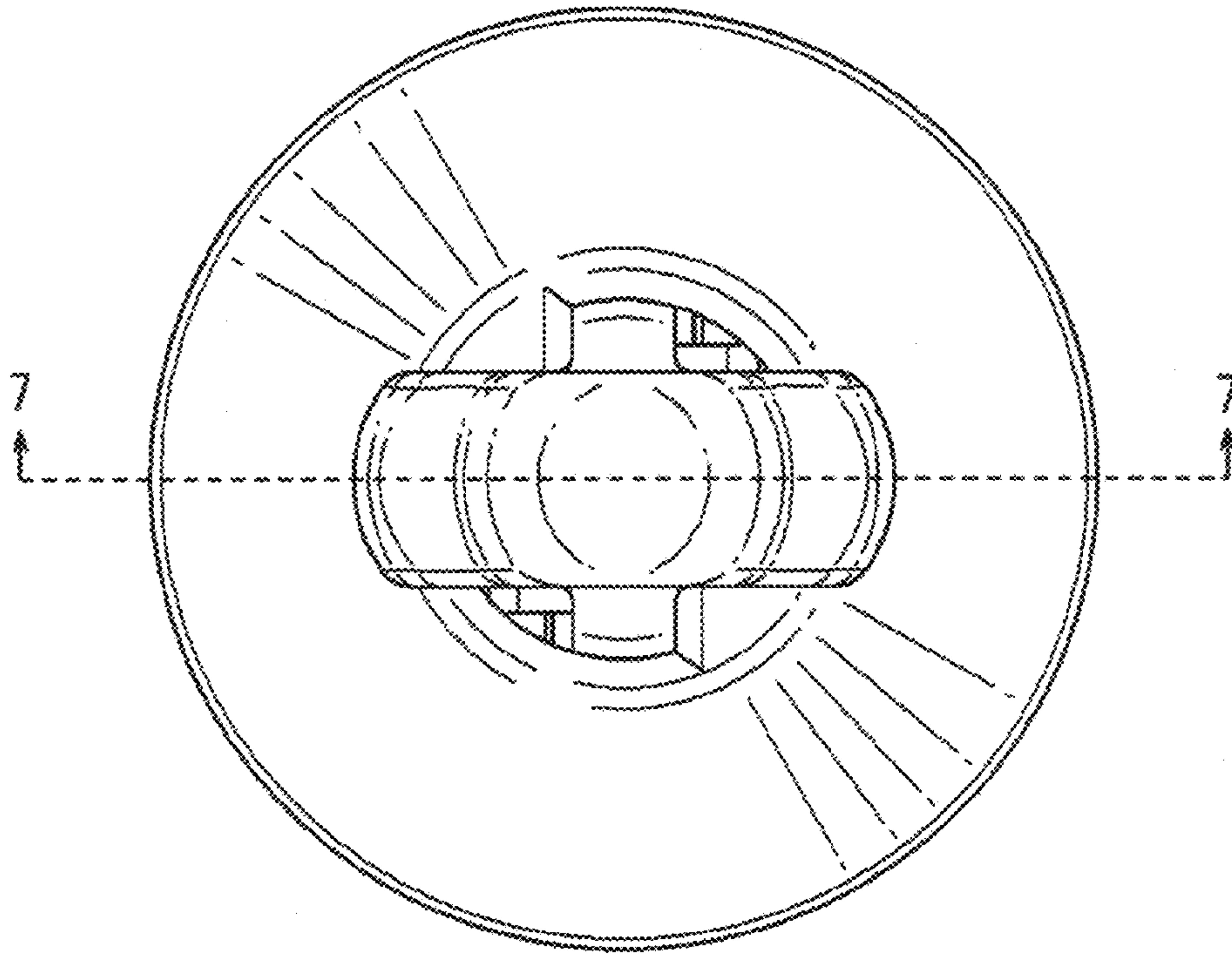


FIG. 5

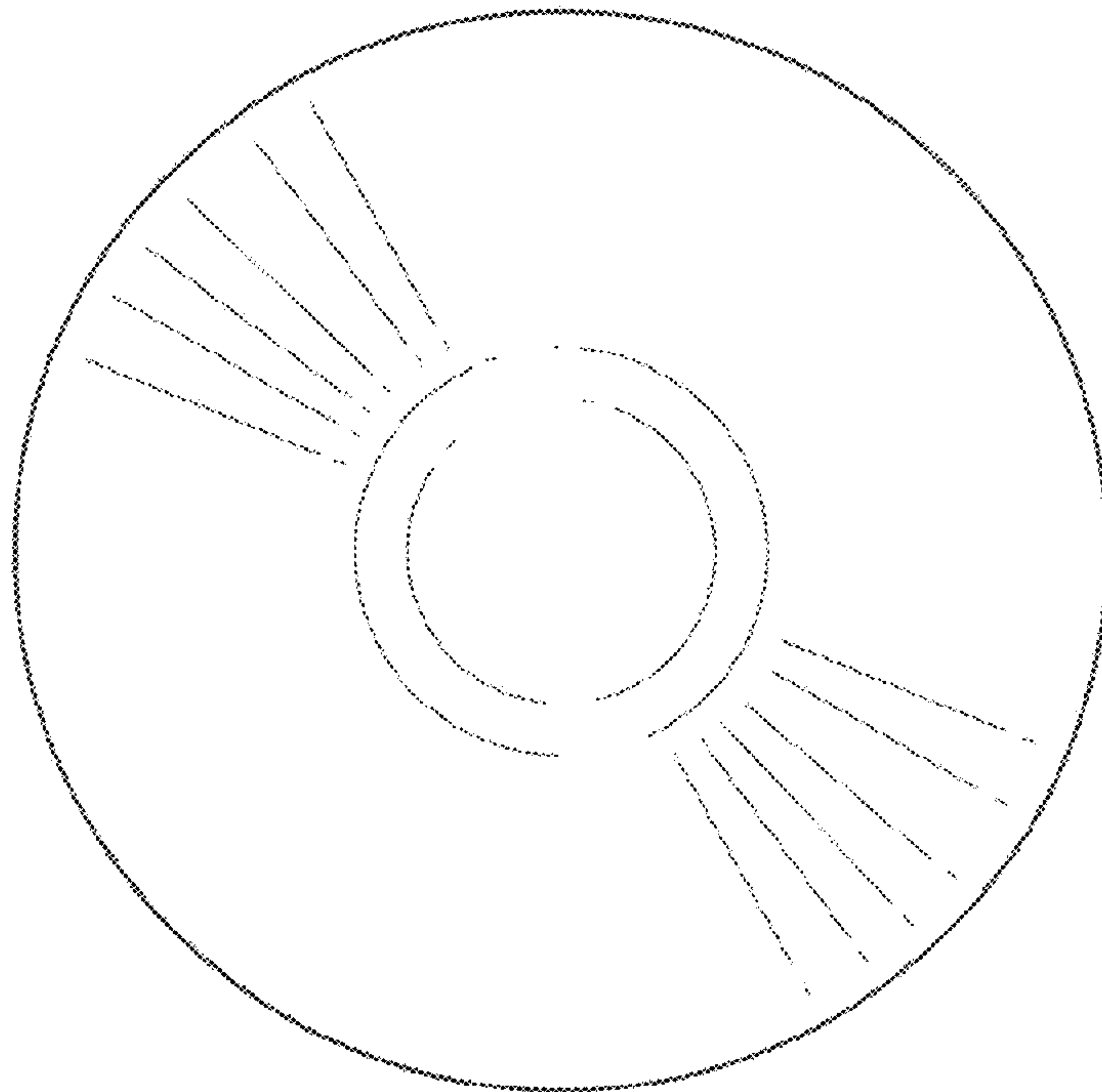


FIG. 6

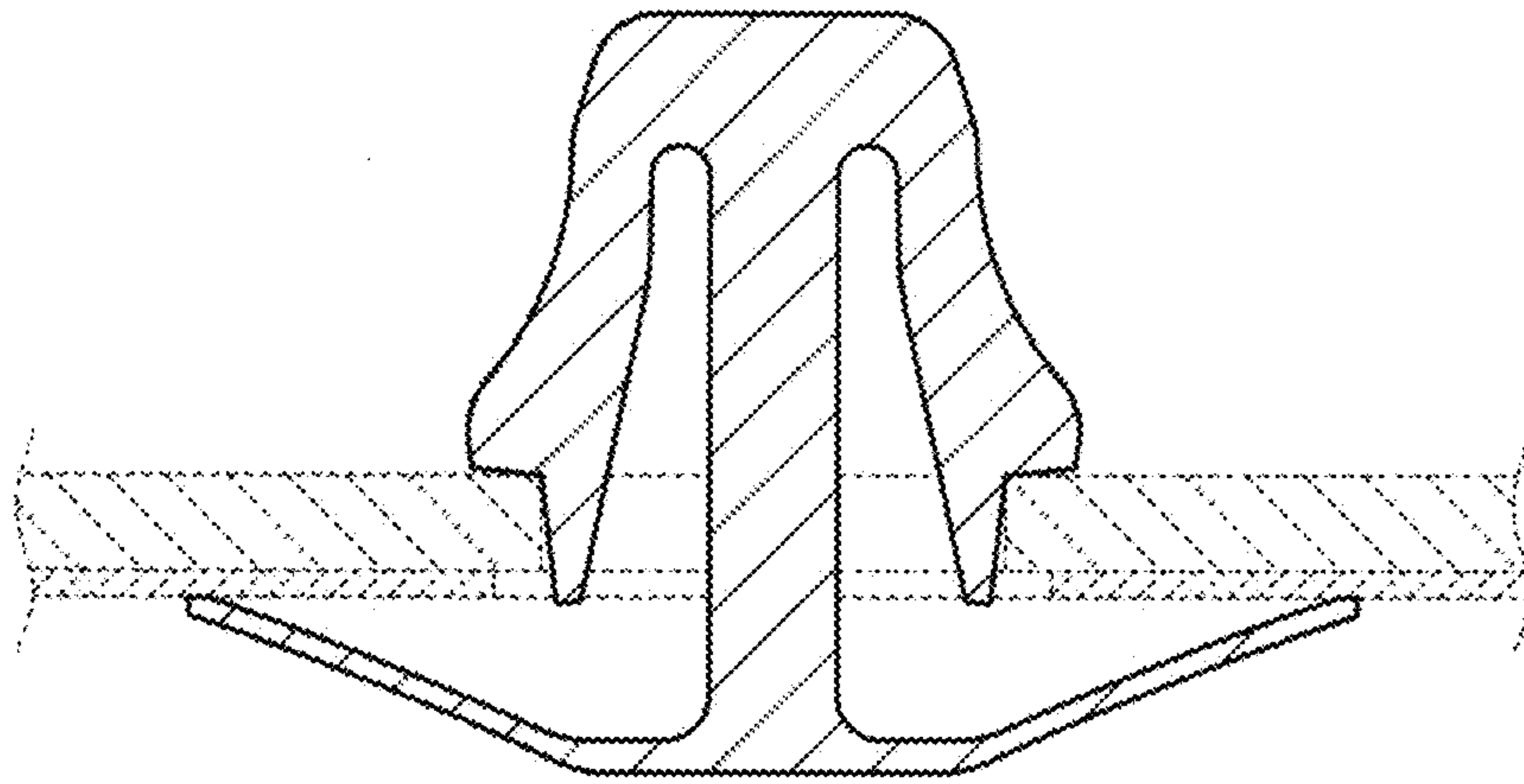


FIG. 7