



US00D768471S

(12) **United States Design Patent**
Marquez

(10) **Patent No.:** **US D768,471 S**
(45) **Date of Patent:** **** Oct. 11, 2016**

(54) **BAIL EXTENDER**

FOREIGN PATENT DOCUMENTS

(71) Applicant: **Alpha Dog Oilfield Tools**, Laredo, TX (US)

EP 0079846 A1 5/1983

(72) Inventor: **Manuel Marquez**, Laredo, TX (US)

OTHER PUBLICATIONS

(73) Assignee: **Alpha Dog Oilfield Tools**, Laredo, TX (US)

Wet Scraper Chain Link—Wet Scraper Chain Link Manufacturer & Supplier, Kolkata, India, image post date unknown, site visited on May 4, 2016 (online), <<http://www.conveyorchainsprocket.in/wet-scraper-chain-link-3004351.html>>.*

(**) Term: **15 Years**

(Continued)

(21) Appl. No.: **29/526,882**

Primary Examiner — Sheryl Lane

(22) Filed: **May 13, 2015**

Assistant Examiner — Ieisha Price

(51) **LOC (10) Cl.** **08-08**

(74) *Attorney, Agent, or Firm* — Volk & McElroy, LLP; Michael D. Volk, Jr.

(52) **U.S. Cl.**

USPC **D8/382**

(58) **Field of Classification Search**

USPC D8/349, 354, 356, 373, 382, 499

CPC E21B 19/06; E21B 19/02; E21B 19/07;

E21B 19/14; E21B 17/02; B66B 7/08;

B66B 7/068; B66B 7/085; B66C 1/66;

B66C 1/10; Y10T 403/57

See application file for complete search history.

(57) **CLAIM**

The ornamental design for a bail extender, as shown.

DESCRIPTION

FIG. 1 is a perspective view of the first embodiment of a bail extender showing my new design;

FIG. 2 is another perspective view of FIG. 1;

FIG. 3 is a front view of FIG. 1, the rear view being a mirror image;

FIG. 4 is a side view of FIG. 1, the opposing side being a mirror image;

FIG. 5 is a bottom view of FIG. 1; and

FIG. 6 is a top view of FIG. 1.

FIG. 7 is a perspective view of the second embodiment of a bail extender showing my new design;

FIG. 8 is another perspective view of FIG. 7;

FIG. 9 is a front view of FIG. 7, the rear view being a mirror image;

FIG. 10 is a side view of FIG. 7, the opposing side being a mirror image;

FIG. 11 is a bottom view of FIG. 7; and

FIG. 12 is a top view of FIG. 7.

The claimed bail extender is used to extend the effective length of bails (also called elevator lifts) on a drilling rig.

(56) **References Cited**

U.S. PATENT DOCUMENTS

1,667,779 A * 5/1928 Grady E21B 19/06
294/90

2,242,783 A 5/1941 Grau

3,461,666 A 8/1969 Burstall

D263,211 S * 3/1982 Brooks D34/29

4,682,687 A * 7/1987 Leege B65G 17/066
198/852

4,793,422 A 12/1988 Krasnov

4,800,968 A 1/1989 Shaw et al.

5,049,104 A * 9/1991 Olsen A63H 33/042
403/156

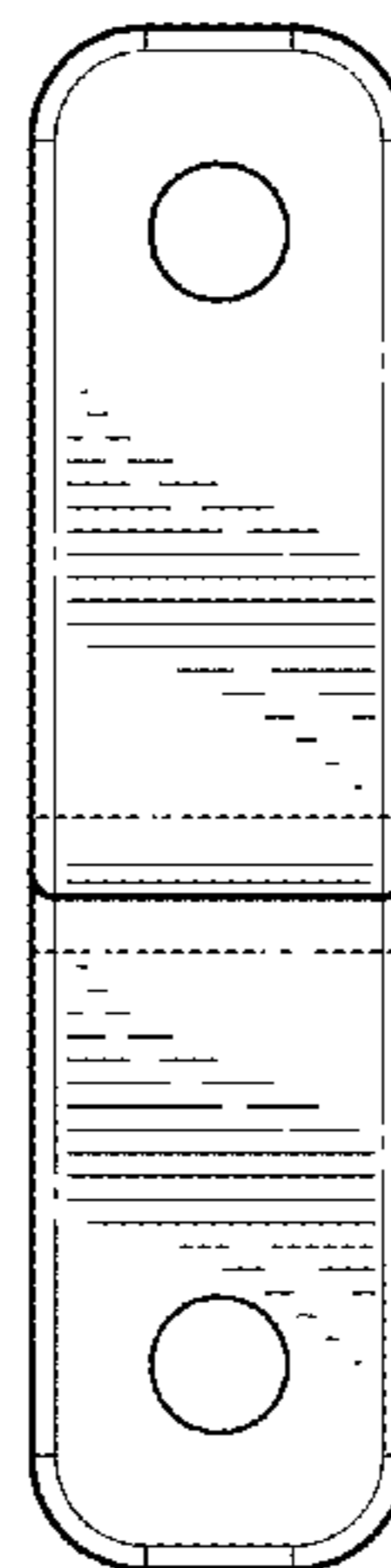
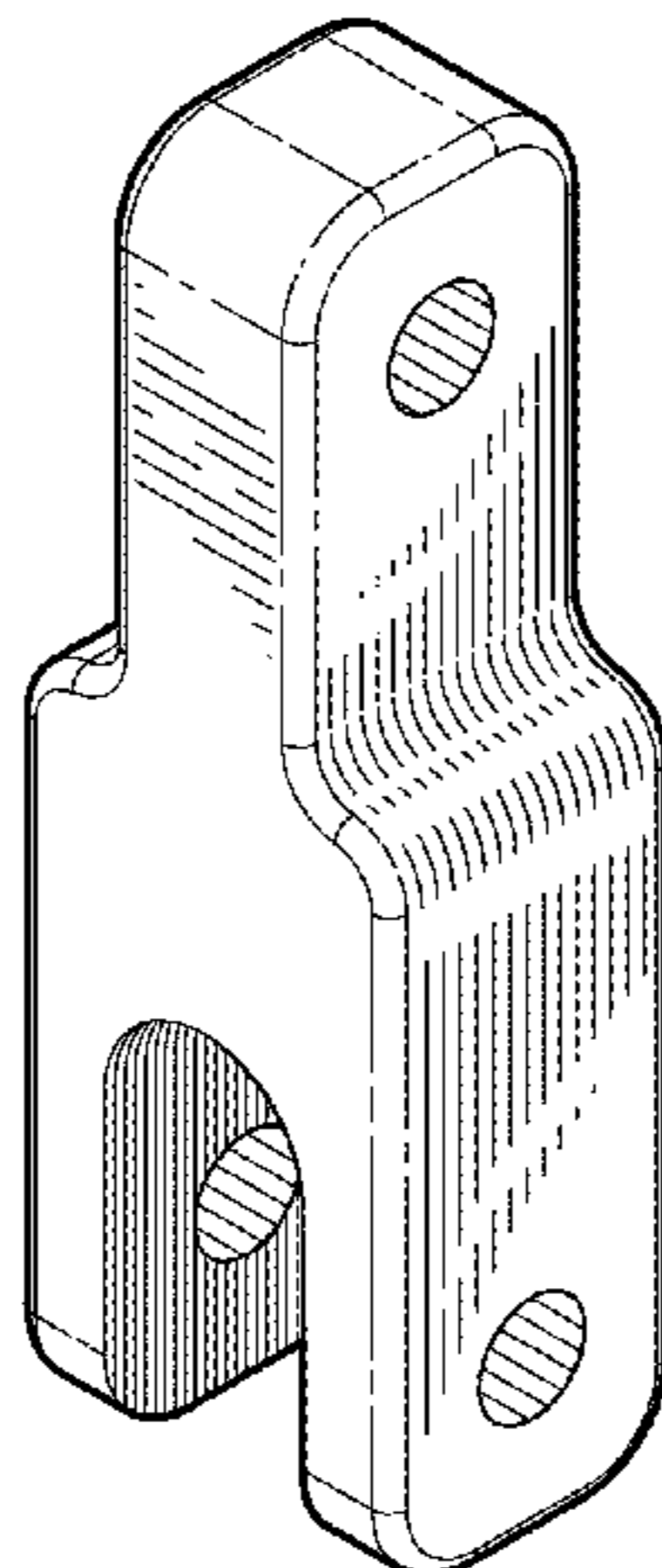
D326,601 S * 6/1992 Smith D8/356

5,172,534 A * 12/1992 Milner E04B 2/12
446/104

D336,535 S * 6/1993 Maglica D26/138

(Continued)

1 Claim, 4 Drawing Sheets



(56)

References Cited

U.S. PATENT DOCUMENTS

D337,172 S * 7/1993 Maglica D26/138
D348,827 S * 7/1994 Berti D8/382
D373,947 S * 9/1996 Parduhn D8/373
D415,217 S * 10/1999 Rudy D21/503
6,250,459 B1 * 6/2001 Coen B65G 17/086
198/852
6,520,709 B1 2/2003 Mosing et al.
D516,135 S * 2/2006 Kim D21/503
D534,417 S * 1/2007 Caruana D8/382
D551,528 S * 9/2007 Vautour D8/72
D616,286 S * 5/2010 Foresman D8/354
D635,445 S * 4/2011 Foresman D8/354

D652,286 S * 1/2012 Mair D8/356
D722,864 S * 2/2015 Greenthal D8/382
2004/0129506 A1 * 7/2004 Ericson B66B 7/085
187/411

OTHER PUBLICATIONS

ALCO, Bail Extensions, <http://alcoinc.ca/Products/Oil%20Field/HandlingTools/BailExtension/BailExtension.htm>, Internet publication dated Dec. 3, 2014.

ALCO, ALCO Elevator Link Connectors, Product Brochure, Aug. 4, 2015, 2 pages, available at <http://www.alcoinc.ca/media/20586/ALCO-Elevator-Link-Connectors-Brochure-Reduced.pdf>, Internet publication.

* cited by examiner

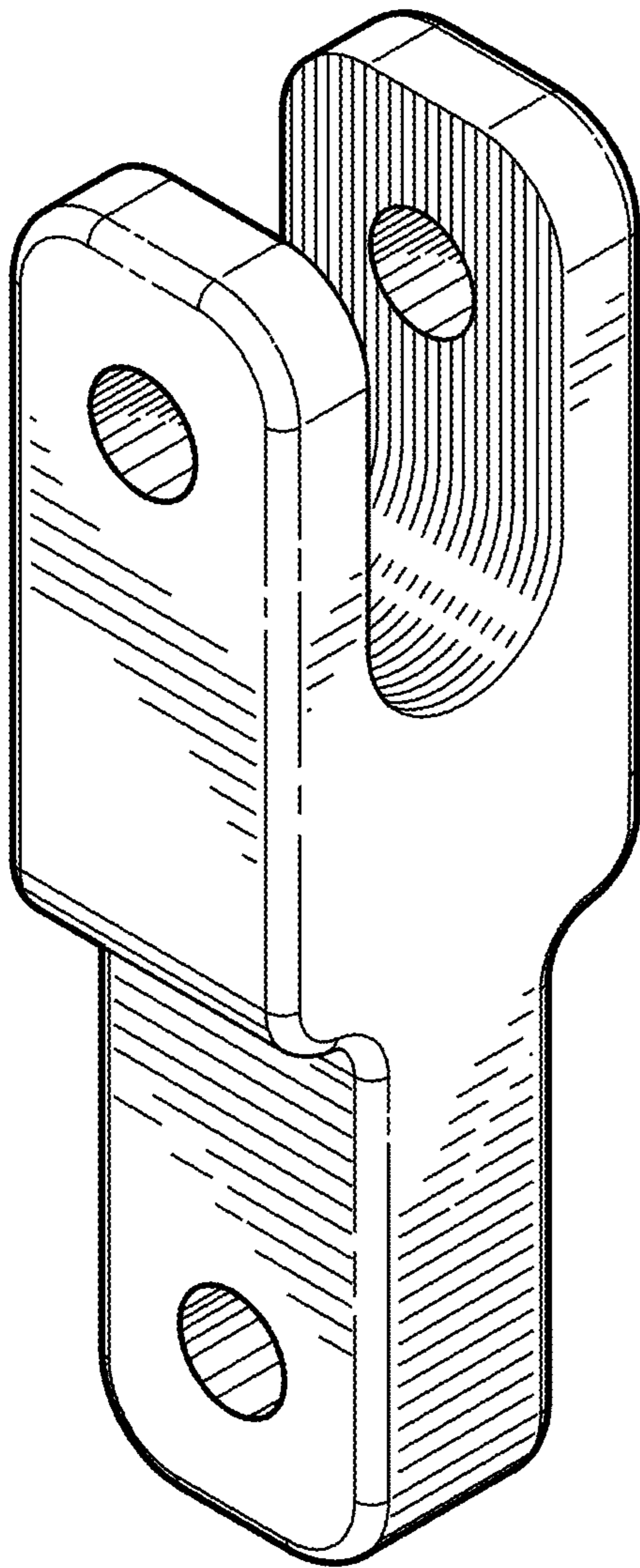


FIG. 1

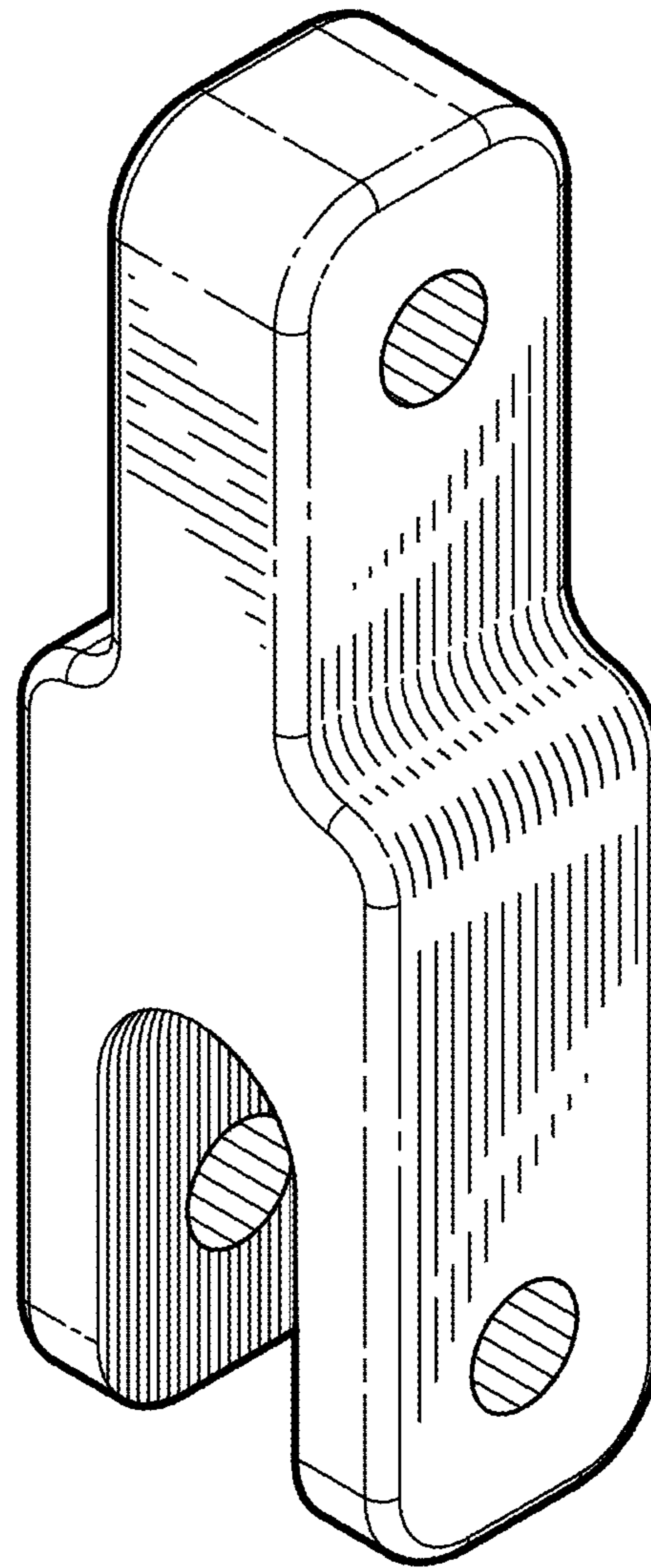


FIG. 2

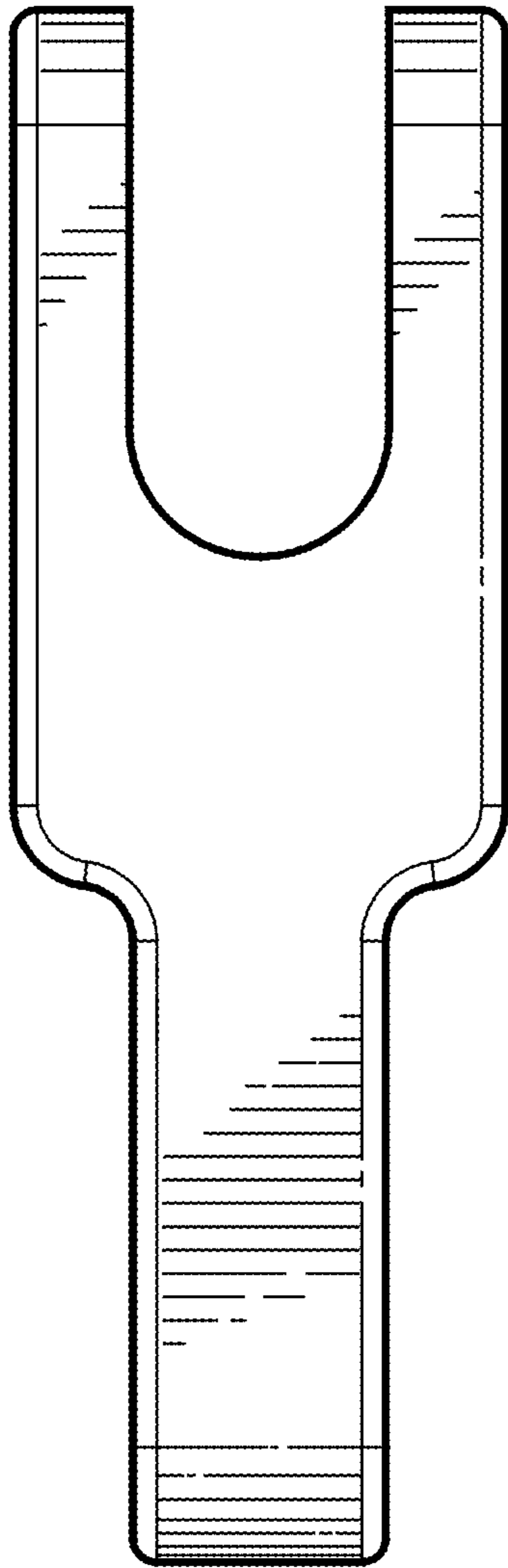


FIG. 3

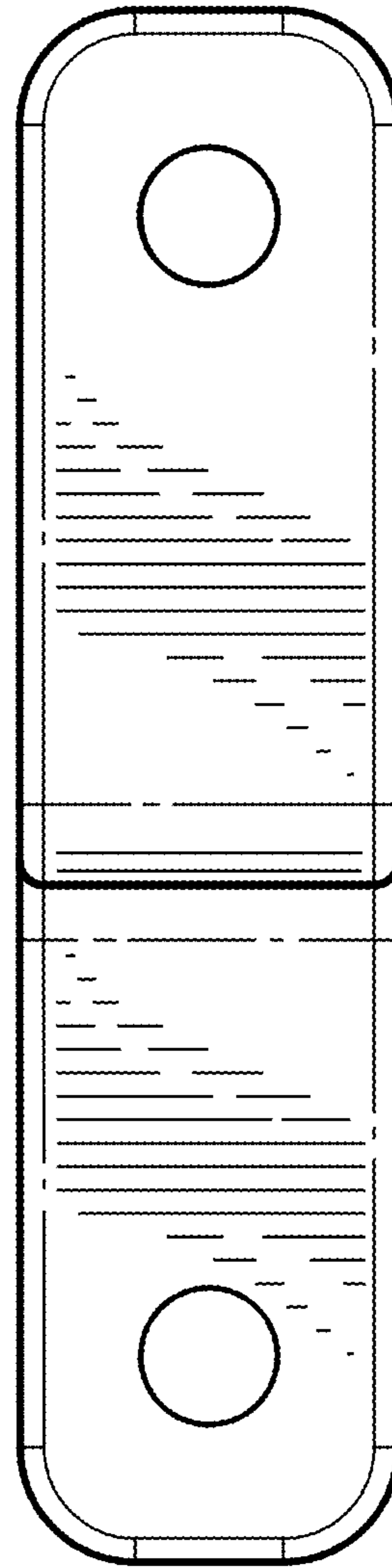


FIG. 4

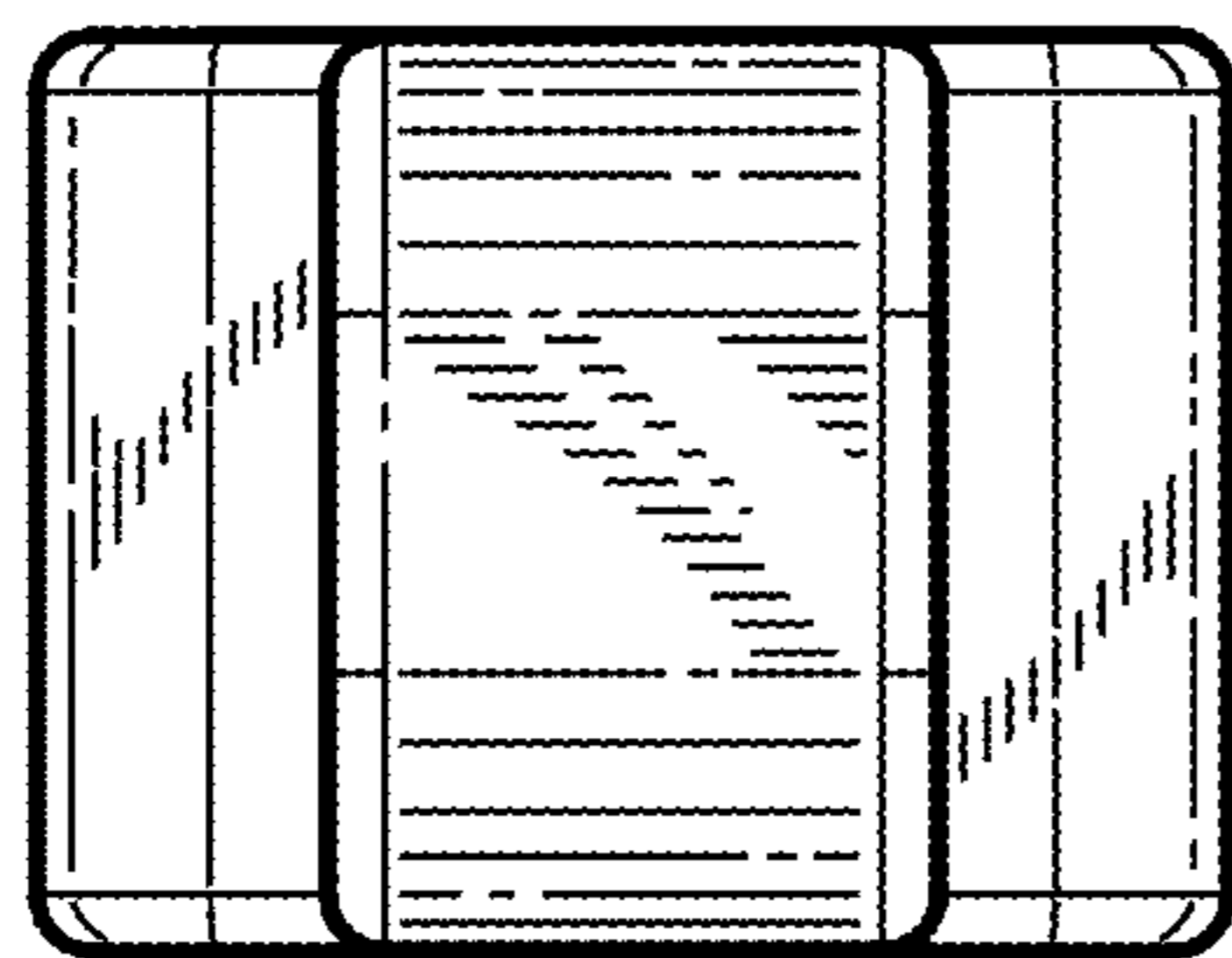


FIG. 5

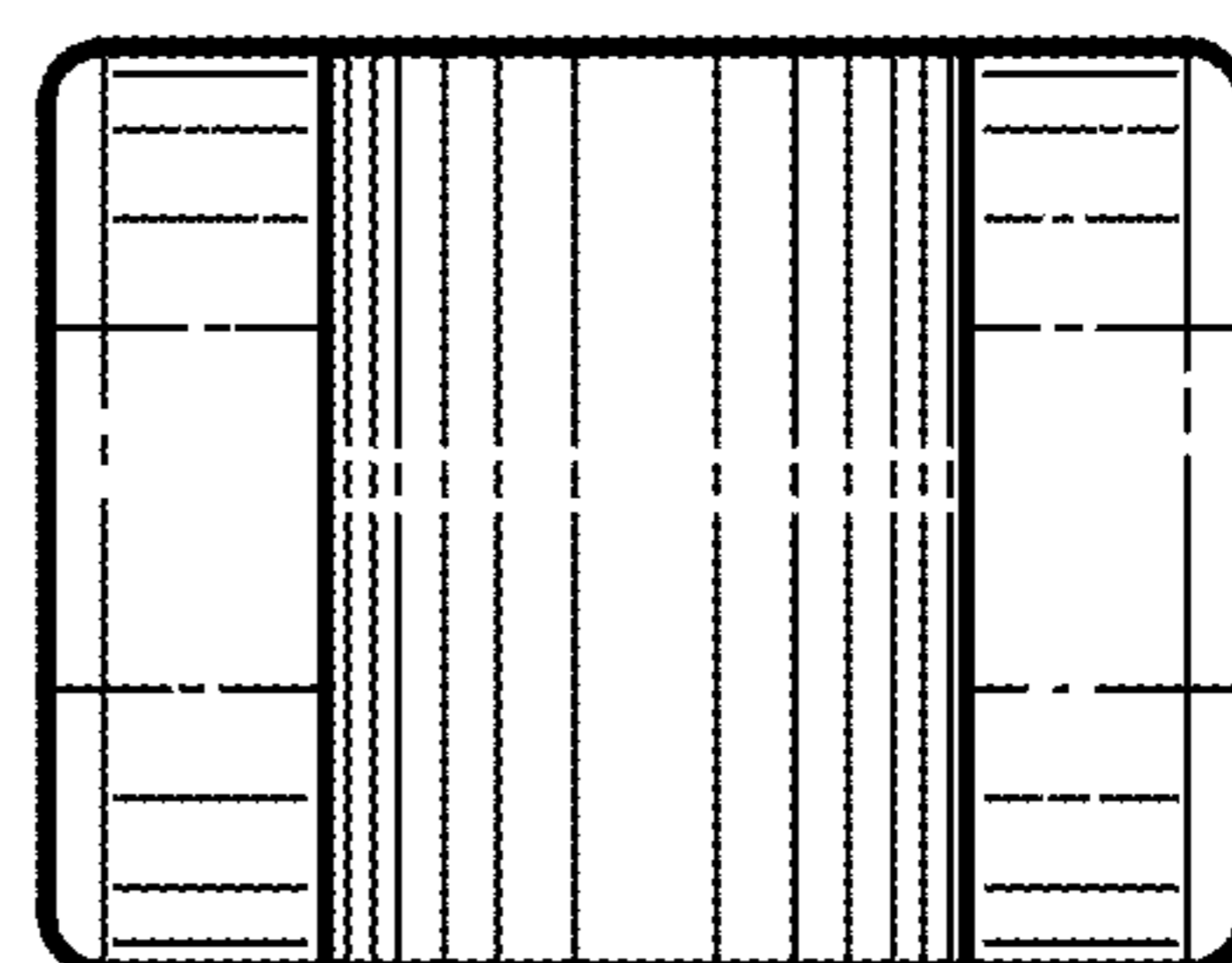


FIG. 6

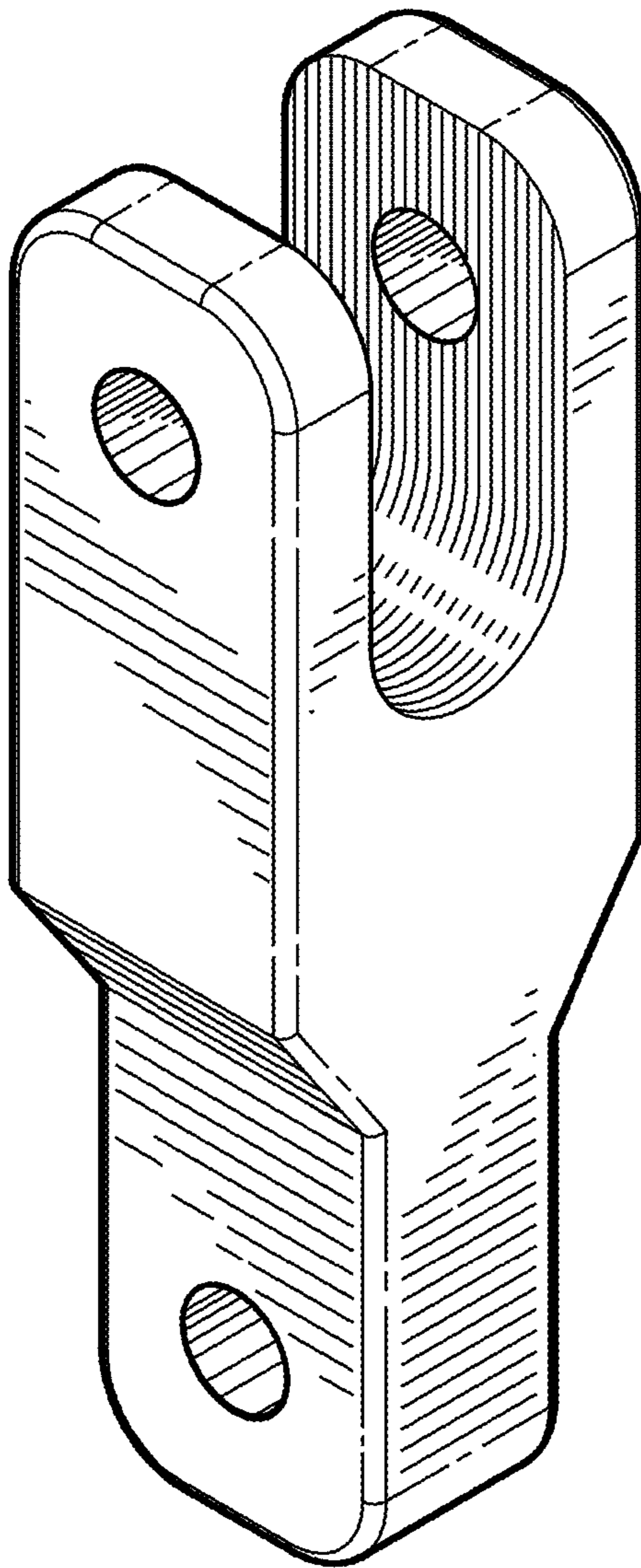


FIG. 7

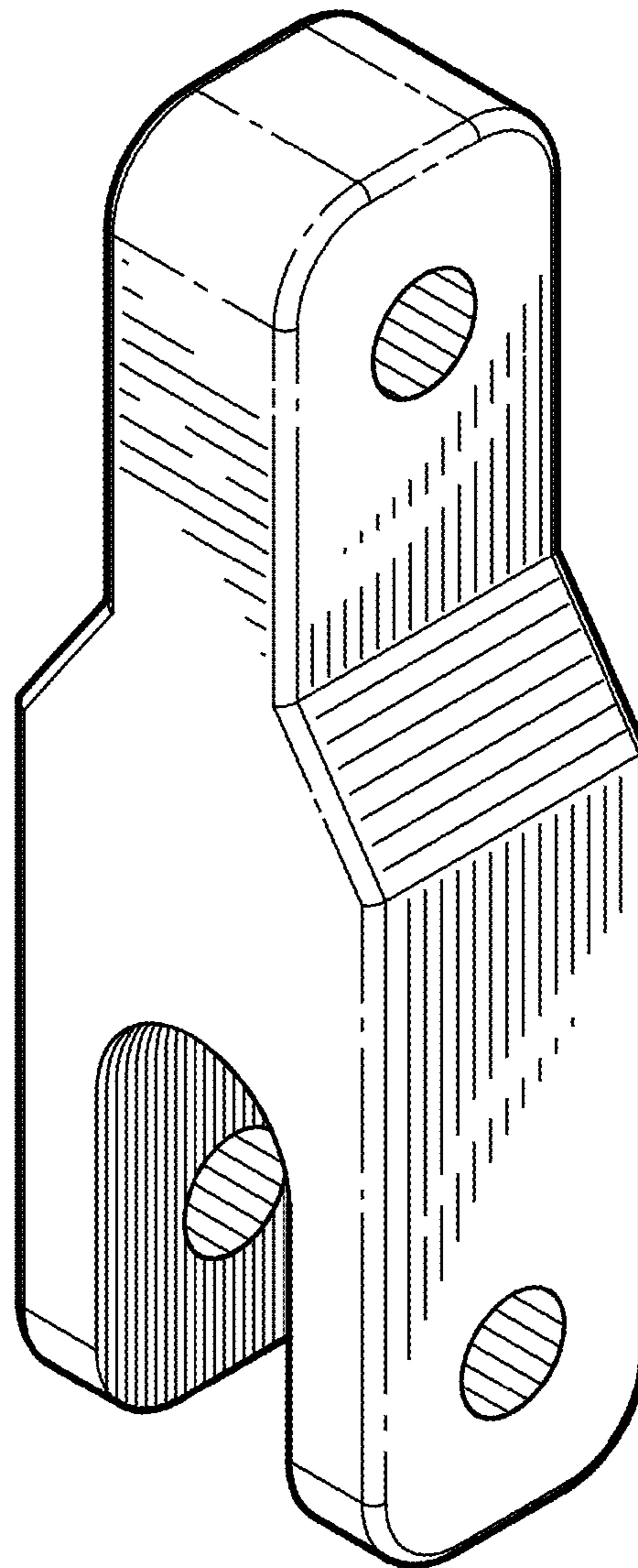


FIG. 8

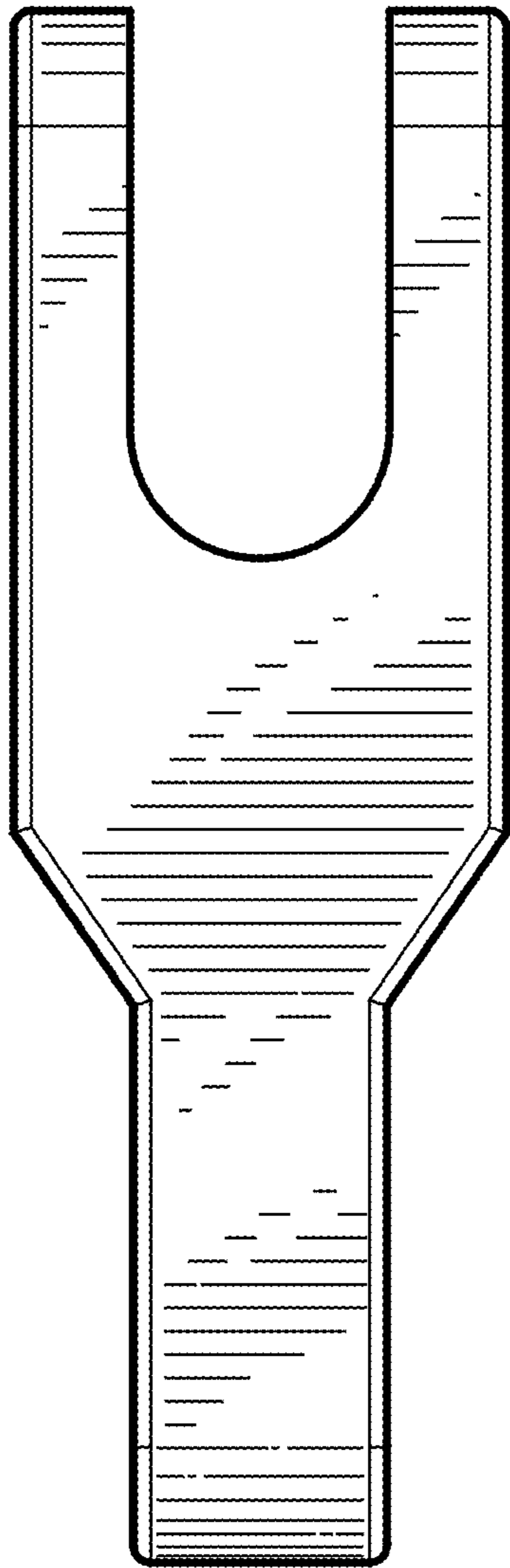


FIG. 9

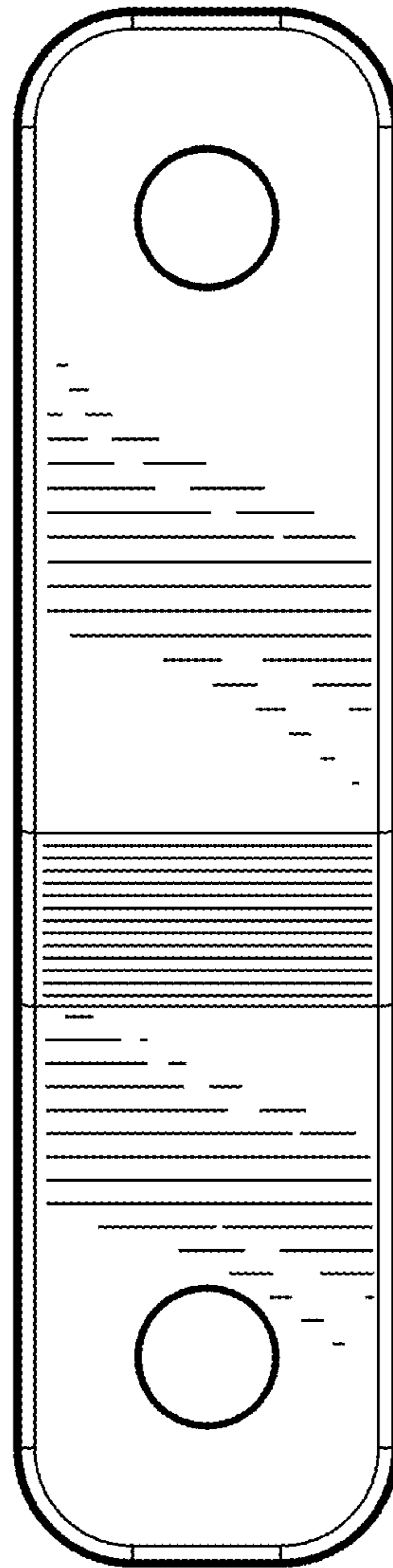


FIG. 10

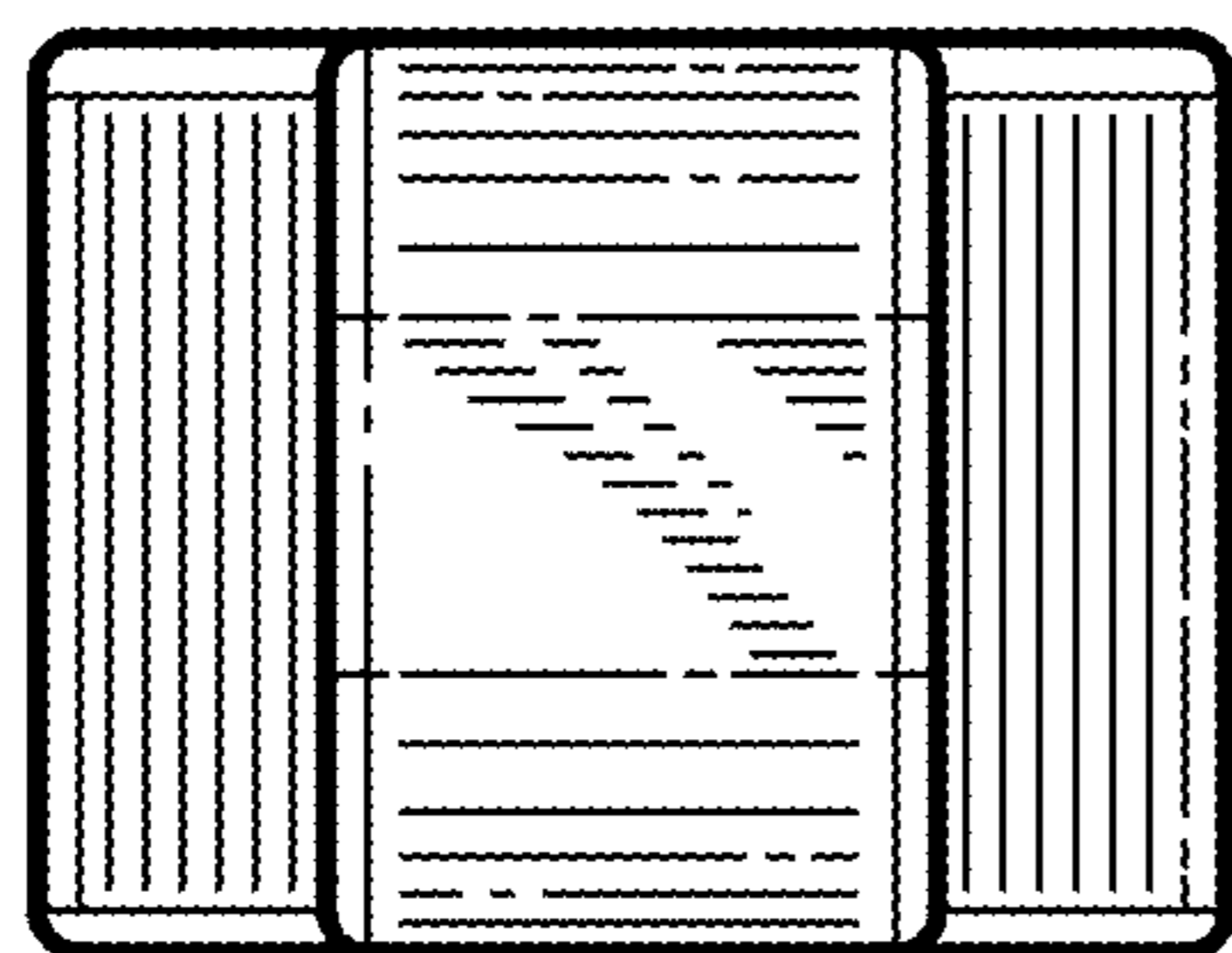


FIG. 11

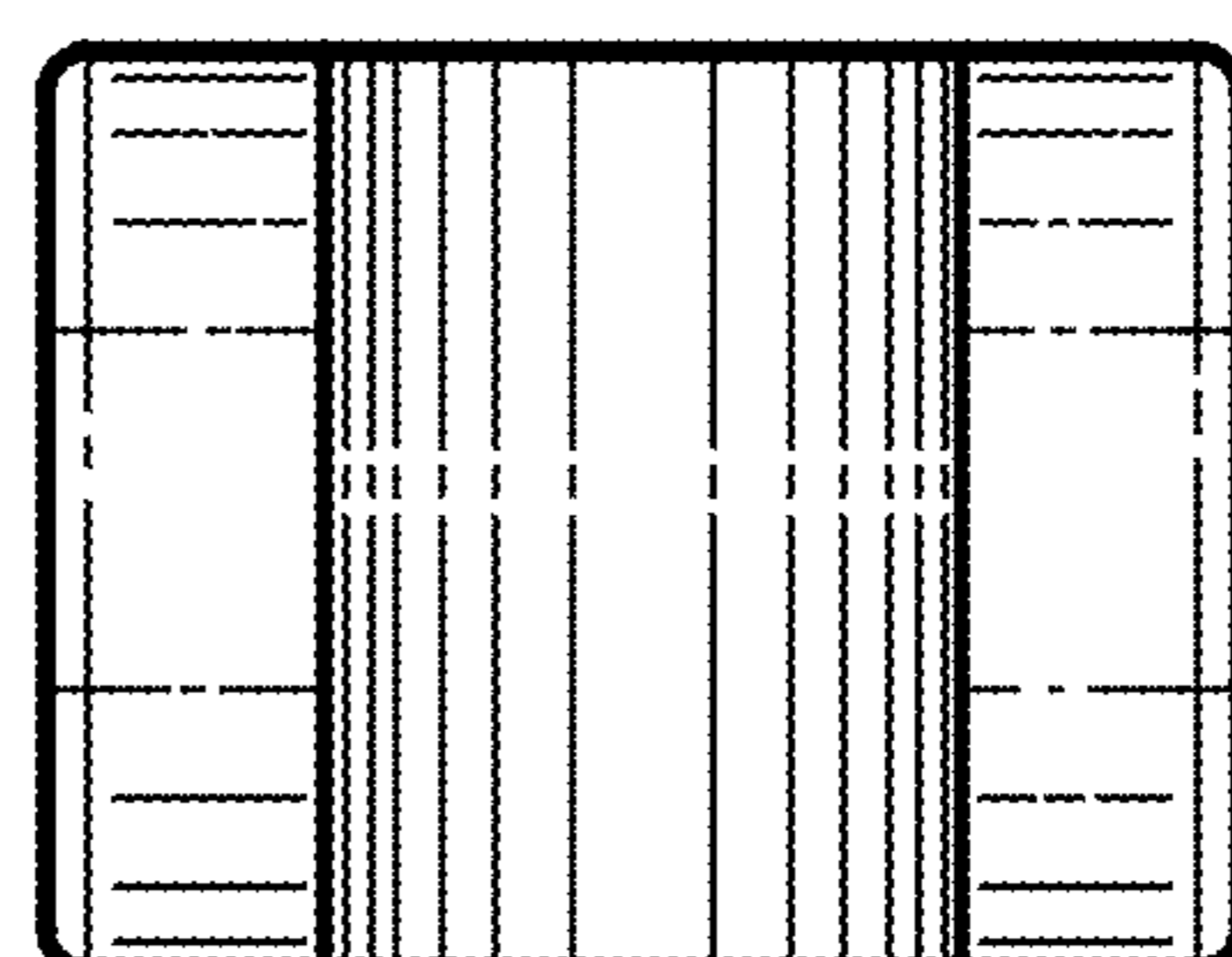


FIG. 12