

US00D768470S

(12) **United States Design Patent** (10) **Patent No.:** **US D768,470 S**
Noturno (45) **Date of Patent:** **** Oct. 11, 2016**

(54) **HURRICANE TIE FASTENER**
(71) Applicant: **Tallmadge Spinning & Metal Company, Akron, OH (US)**
(72) Inventor: **Sam P. Noturno, Massillon, OH (US)**
(73) Assignee: **Shark Products, LLC, Akron, OH (US)**

5,109,646 A 5/1992 Colonias et al.
D337,042 S * 7/1993 Lin D8/349
5,335,469 A 8/1994 Stuart
5,732,524 A 3/1998 Kalker et al.
D422,483 S * 4/2000 Shea D8/354
D436,017 S * 1/2001 Hays D8/354

(Continued)

(**) Term: **14 Years**
(21) Appl. No.: **29/509,623**
(22) Filed: **Nov. 19, 2014**

Related U.S. Application Data

(63) Continuation of application No. 12/825,384, filed on Jun. 29, 2010, now Pat. No. 8,910,452.
(51) **LOC (10) Cl.** **08-08**
(52) **U.S. Cl.**
USPC **D8/382**
(58) **Field of Classification Search**
USPC D8/14, 16, 349, 354, 363, 366, 373, D8/380, 382, 499
CPC E04H 12/14; E04H 9/027; E04B 1/2608; E04B 7/045; E04B 1/26; E04B 1/38
See application file for complete search history.

References Cited

U.S. PATENT DOCUMENTS

2,413,362 A 12/1946 Maxwell et al.
3,667,786 A * 6/1972 Cooper E04B 1/2608
403/384
D235,133 S * 5/1975 Armstrong D8/354
D268,314 S * 3/1983 Smith D8/349
4,455,805 A 6/1984 Rionda et al.
4,714,372 A * 12/1987 Commins E04B 1/2608
403/346
4,896,985 A * 1/1990 Commins E04B 1/2612
248/544

OTHER PUBLICATIONS

<http://www.strongtie.com/products/connectors/h.asp>, H Seismic and Hurricane Ties, document is undated but printed from the pertinent website on Apr. 15, 2010.

Primary Examiner — Sheryl Lane
Assistant Examiner — Ieisha Price
(74) *Attorney, Agent, or Firm* — Renner, Kenner, Greive, Bobak, Taylor and Weber

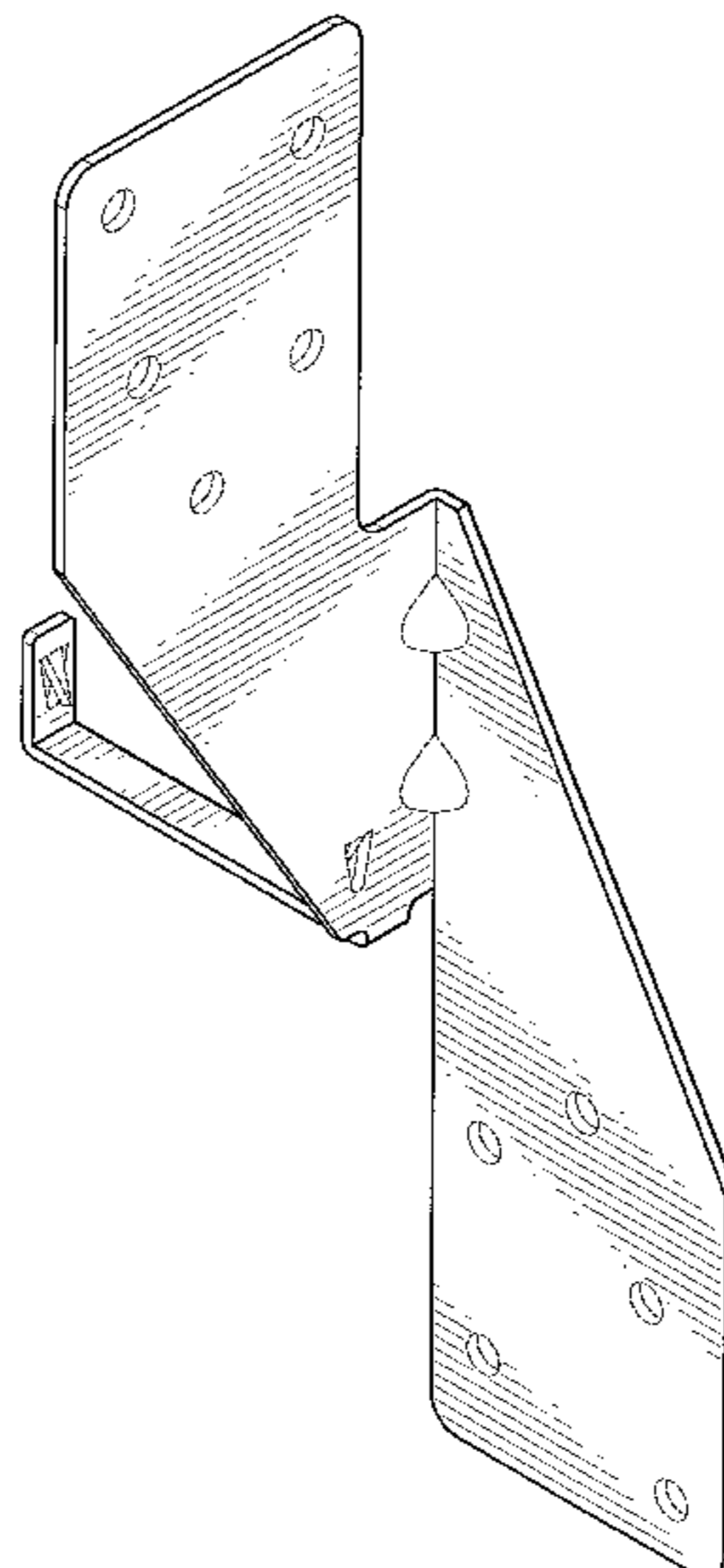
CLAIM

(57) The ornamental design for a hurricane tie fastener, as shown and described.

DESCRIPTION

FIG. 1 is a perspective view of the hurricane tie fastener of the present invention as viewed from the front left and above.
FIG. 2 is a perspective view of the hurricane tie fastener as viewed from the front right and above.
FIG. 3 is a front elevation view of the hurricane tie fastener.
FIG. 4 is a rear elevation view of the hurricane tie fastener.
FIG. 5 is a left side elevation view of the hurricane tie fastener.
FIG. 6 is a right side elevation view of the hurricane tie fastener.
FIG. 7 is a top plan view of the hurricane tie fastener; and, FIG. 8 is a bottom plan view of the hurricane tie fastener.
The broken lines in the drawings illustrate portions of the hurricane tie fastener and form no part of the claimed design.

1 Claim, 7 Drawing Sheets



US D768,470 S

Page 2

(56)

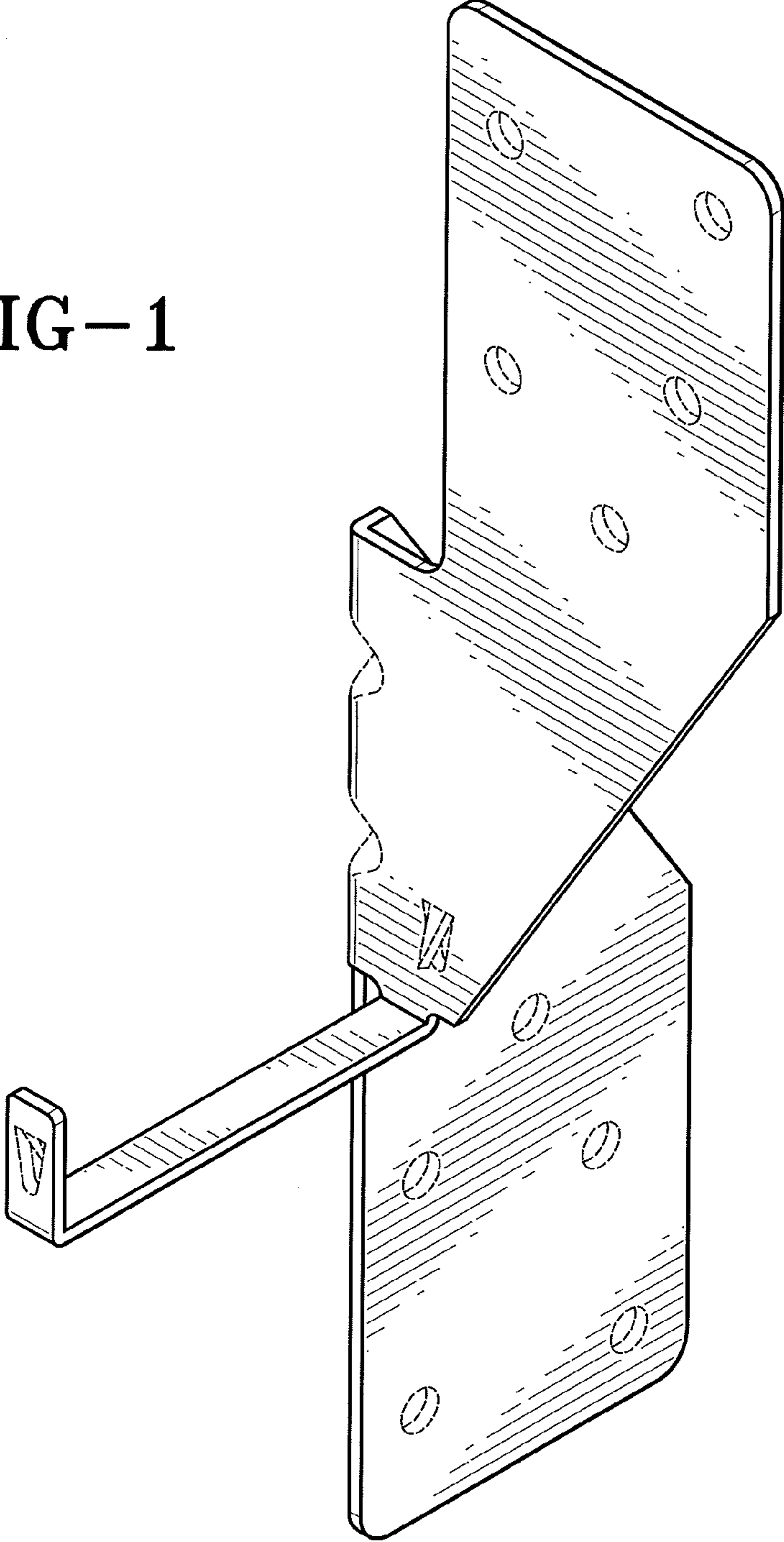
References Cited

U.S. PATENT DOCUMENTS

6,301,855	B1	10/2001	Aerni						
6,490,840	B1	12/2002	Thompson						
6,510,666	B1 *	1/2003	Thompson	E04B	1/2608			
						52/264			
D476,217	S *	6/2003	Shea	D8/354				
6,655,096	B1 *	12/2003	Pryor	E04B	7/045			
						52/712			
6,662,517	B1	12/2003	Thompson						
6,763,634	B1	7/2004	Thompson						
6,877,284	B2	4/2005	Thompson						
7,254,919	B2	8/2007	Lutz et al.						
7,549,262	B2	6/2009	Roessett et al.						
D618,085	S *	6/2010	Lin	D8/354				
7,805,894	B2 *	10/2010	Contasti	E04B	1/2608			
						411/461			
D647,386	S *	10/2011	Pelini	D8/349				
8,051,620	B2	11/2011	Kittlitz et al.						
8,176,689	B1 *	5/2012	Thompson	E04B	1/2608			
						52/702			
8,910,452	B2 *	12/2014	Noturno	E04B	1/2608			
						52/712			
2002/0069607	A1 *	6/2002	Thompson	E04B	1/26			
						52/702			
2002/0124483	A1	9/2002	Rosas						
2002/0189174	A1	12/2002	Thompson						
2003/0029124	A1	2/2003	Wise						
2006/0150564	A1	7/2006	Dufault						
2010/0011697	A1 *	1/2010	Nguyen	E04B	7/045			
						52/714			
2011/0197522	A1 *	8/2011	Noturno	E04B	1/2608			
						52/92.2			
2012/0061535	A1 *	3/2012	Taneichi	B21D	31/02			
						248/220.1			
2014/0318076	A1 *	10/2014	Tan	E04B	1/2608			
						52/712			
2015/0167291	A1 *	6/2015	Bundy	E04B	1/2612			
						52/702			

* cited by examiner

FIG-1



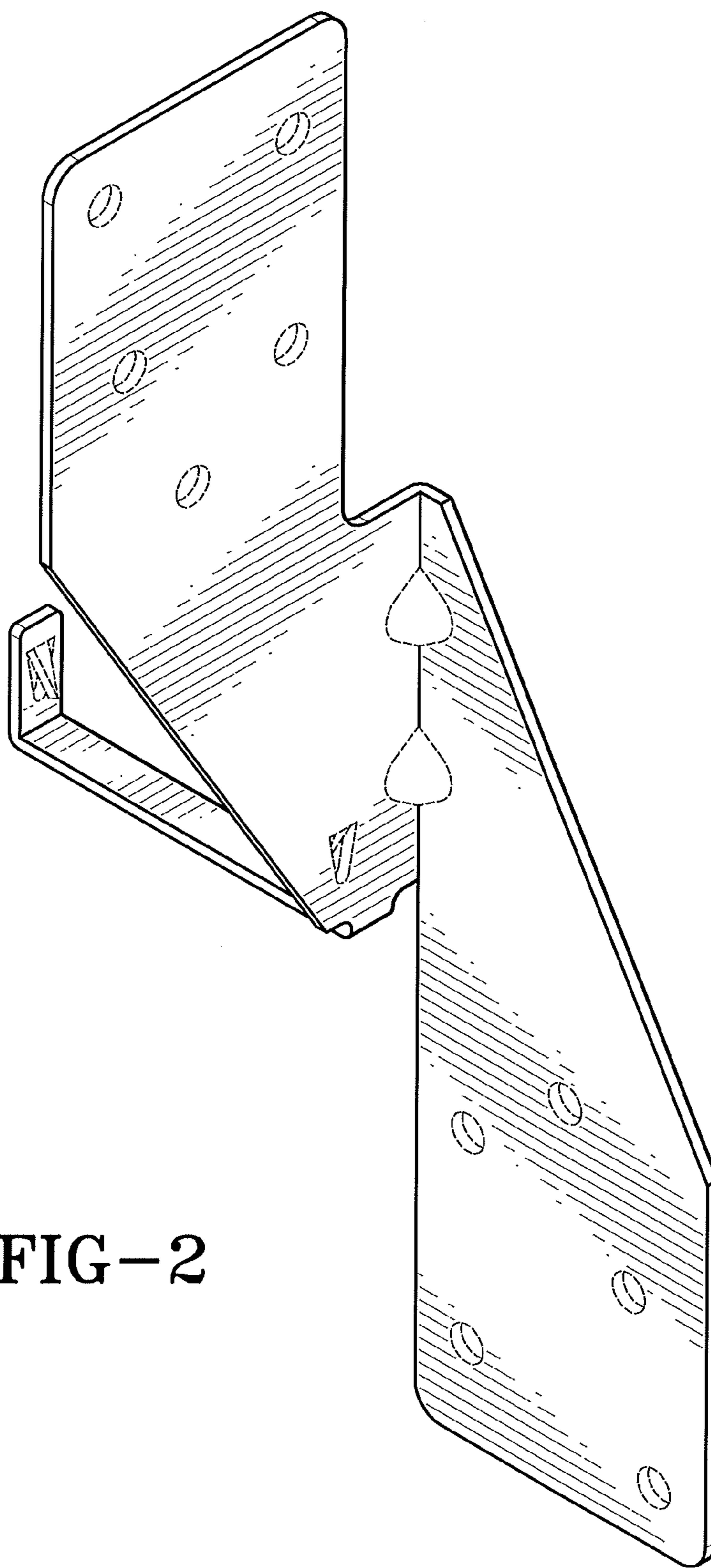
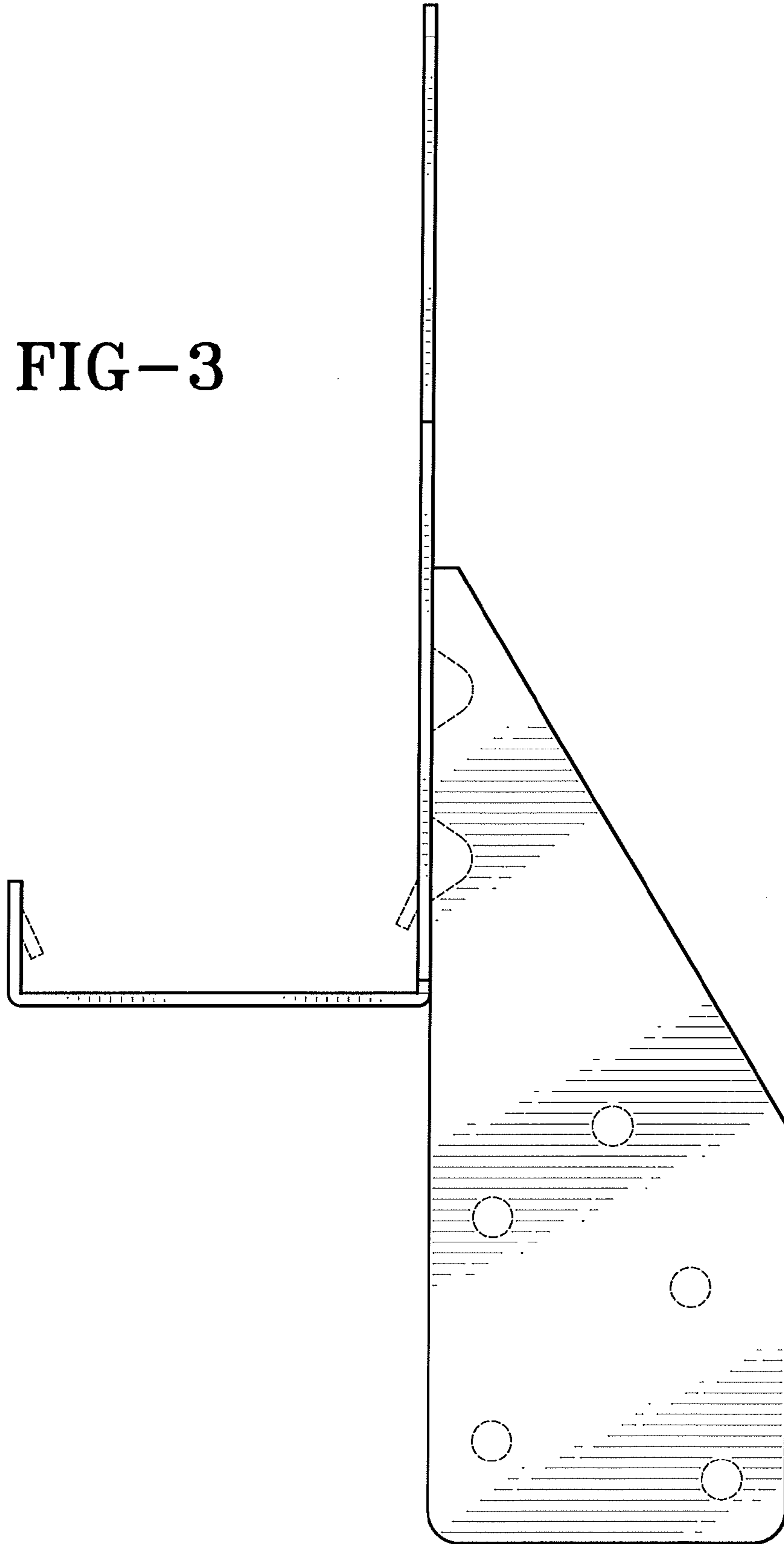
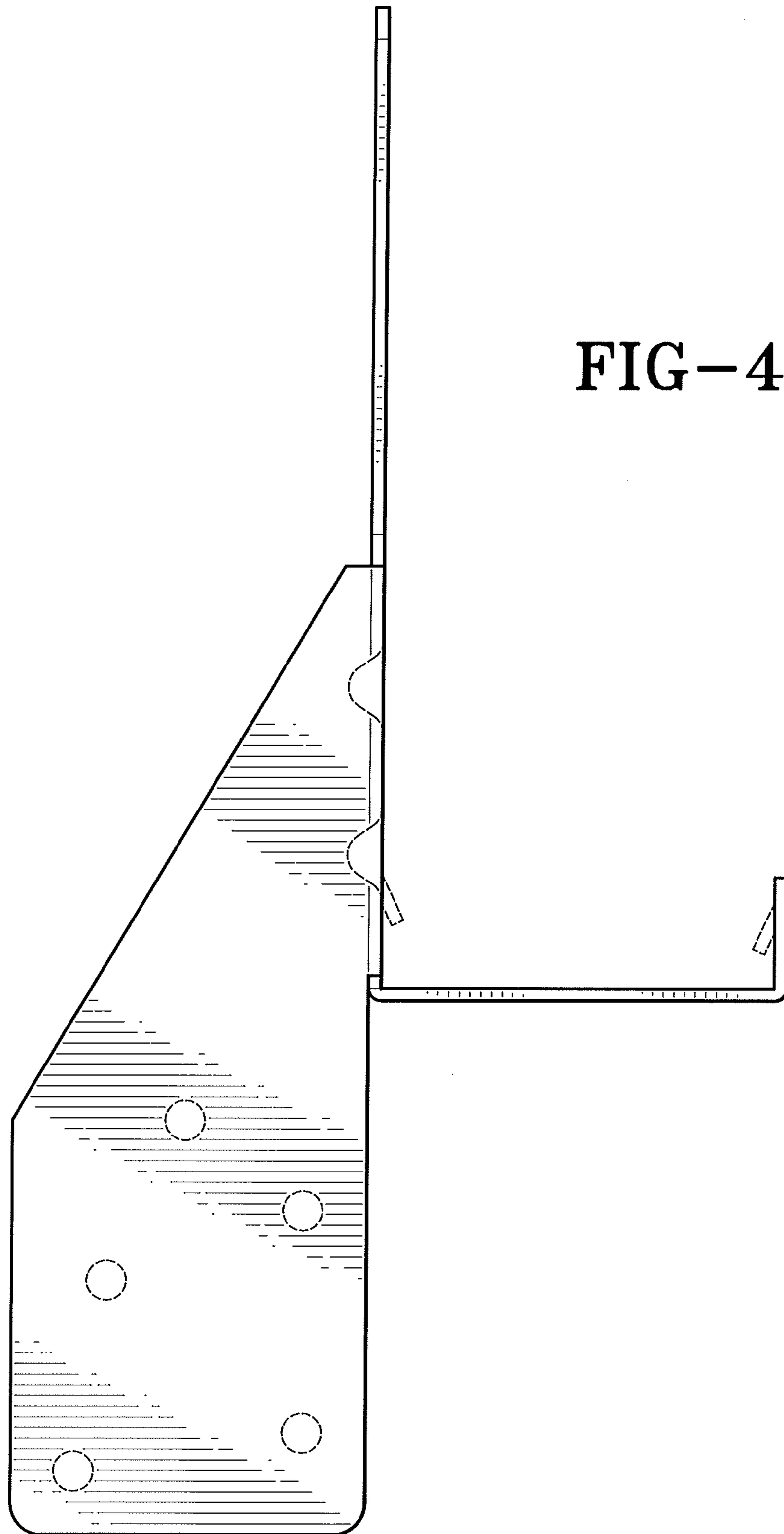


FIG-2

FIG-3





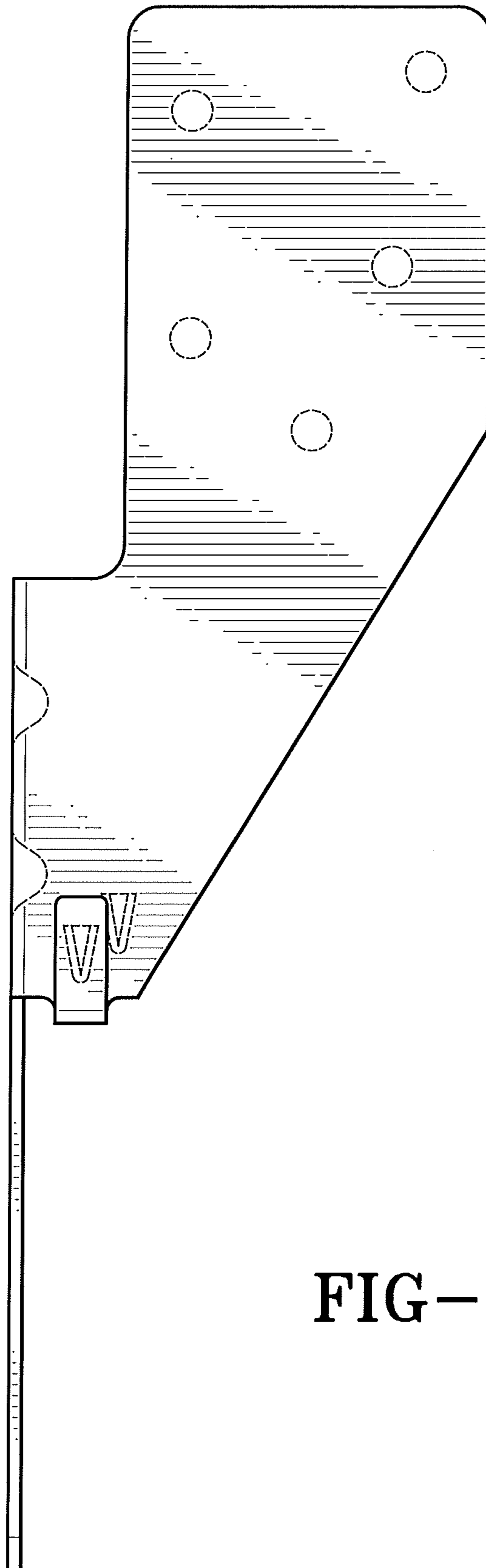


FIG-5

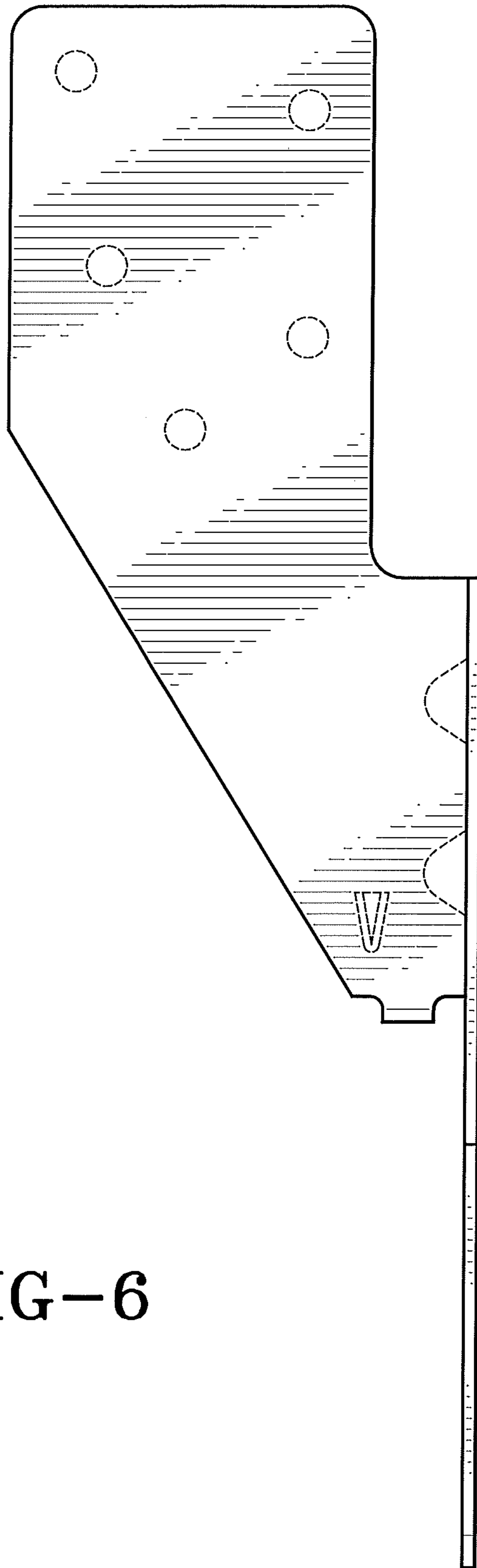


FIG-6

