



US00D768469S

(12) **United States Design Patent**
Bengtsson

(10) **Patent No.:** **US D768,469 S**
(45) **Date of Patent:** **** Oct. 11, 2016**

(54) **FASTENING ELEMENT FOR TELECOM MASTS**

(71) Applicant: **MAFI AB**, Mora (SE)

(72) Inventor: **Pierre Bengtsson**, Sollerön (SE)

(73) Assignee: **MAFI AB**, Mora (SE)

(**) Term: **14 Years**

(21) Appl. No.: **29/501,743**

(22) Filed: **Sep. 8, 2014**

(30) **Foreign Application Priority Data**

Apr. 3, 2014 (EM) 002439273-0001

(51) **LOC (10) Cl.** **08-08**

(52) **U.S. Cl.**
USPC **D8/382**

(58) **Field of Classification Search**
USPC D8/16, 19, 349, 373, 380, 382, 499,
D8/363, 364, 366; D10/103, 121
CPC H01B 17/265; H01B 7/40; H01Q 1/1207;
H01Q 1/12; H01Q 1/1221; H01Q 1/1214;
H01Q 1/1271; H01Q 1/1292; H01Q 1/20
See application file for complete search history.

(56) **References Cited**

U.S. PATENT DOCUMENTS

D195,296 S * 5/1963 Willinger D23/209
4,394,000 A * 7/1983 Kurtz A47G 1/215
248/466
4,932,173 A * 6/1990 Commins E04B 1/2608
403/232.1

D357,405 S * 4/1995 Philippi D6/567
D364,332 S * 11/1995 Sachs D13/133
D394,377 S * 5/1998 Najewski D8/354
D472,793 S * 4/2003 Callahan D8/349
D482,261 S * 11/2003 Kobayashi D8/349
D547,163 S * 7/2007 Xayoiphonh D8/363
D557,120 S * 12/2007 Snell D8/372
D699,549 S * 2/2014 Giessmann D8/380
D741,146 S * 10/2015 Delrue D14/447
D745,379 S * 12/2015 Lindsay D8/373
2001/0045075 A1 * 11/2001 Watanabe E04F 13/0826
52/712
2016/0043459 A1 * 2/2016 Lai H01Q 1/20
343/720

* cited by examiner

Primary Examiner — Sheryl Lane

Assistant Examiner — Ieisha Price

(74) *Attorney, Agent, or Firm* — Nixon & Vanderhye P.C.

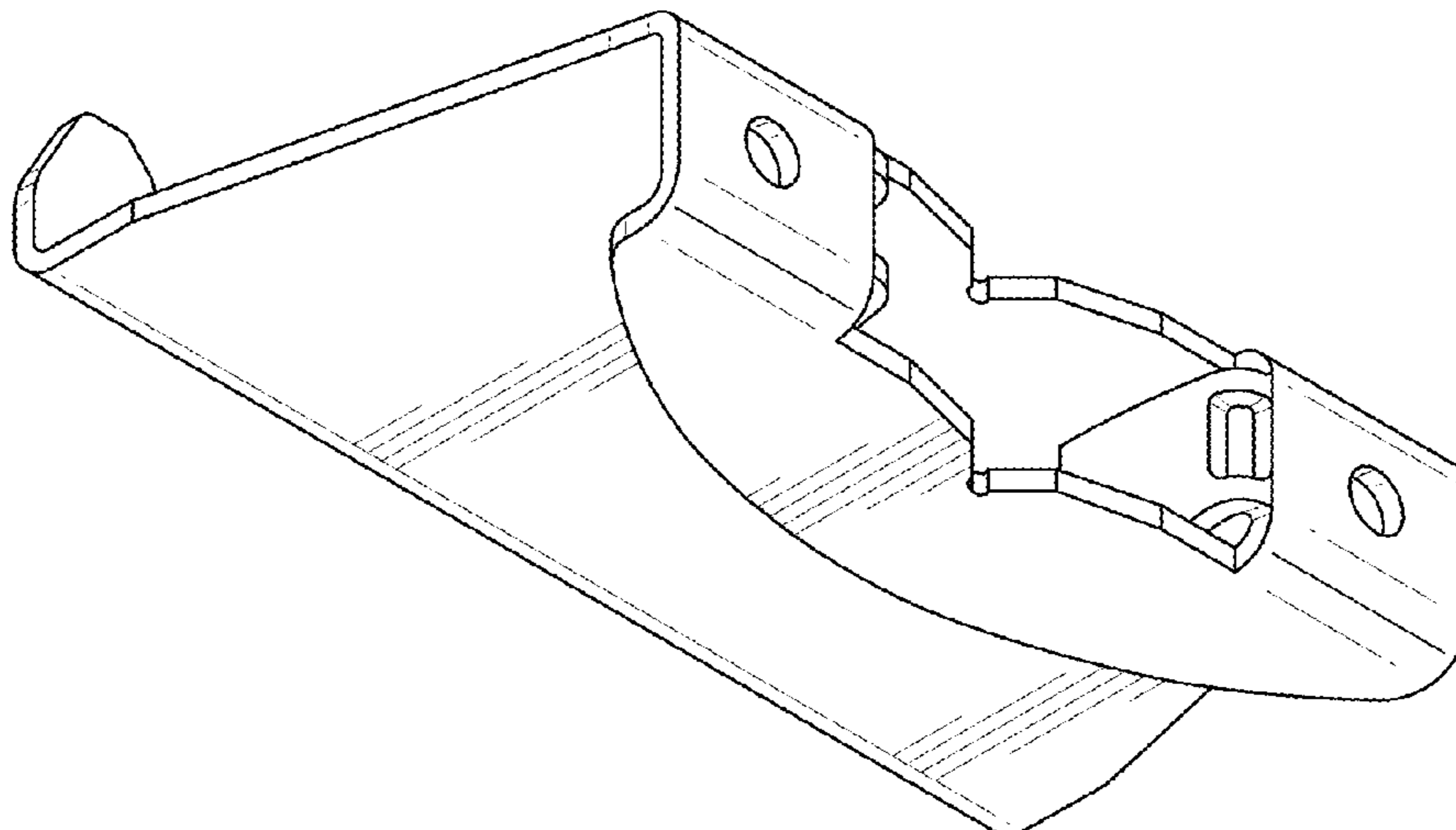
(57) **CLAIM**

The ornamental design for fastening element for telecom masts, as shown and described.

DESCRIPTION

FIG. 1 is a side view of a fastening element for telecom masts;
FIG. 2 is a top plan view thereof;
FIG. 3 is an end view thereof as viewed from the right side in FIG. 1;
FIG. 4 is an end view thereof as viewed from the left side in FIG. 1;
FIG. 5 is a bottom view thereof;
FIG. 6 is a perspective view thereof; and,
FIG. 7 is a perspective view thereof.

1 Claim, 7 Drawing Sheets



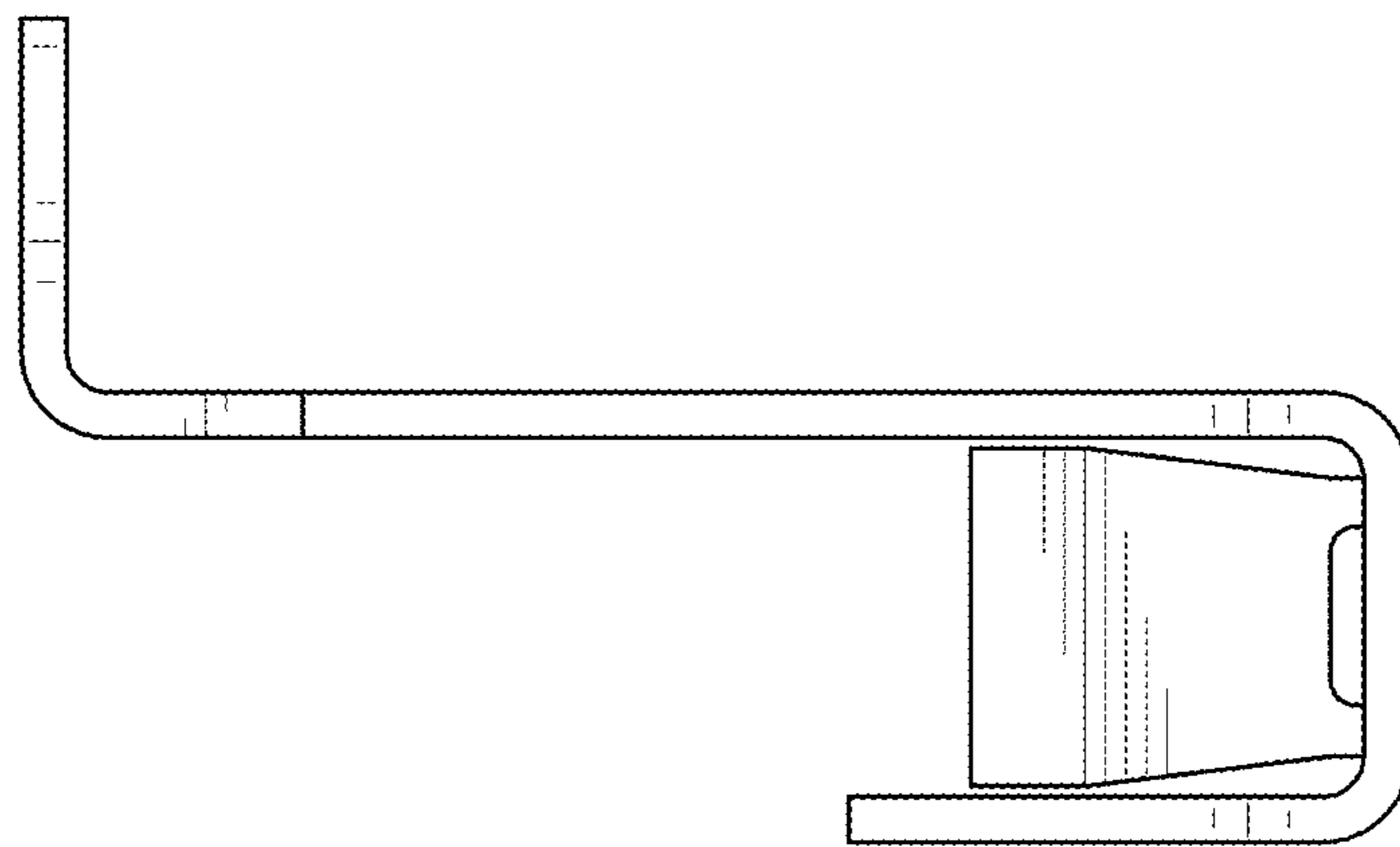


Figure 1

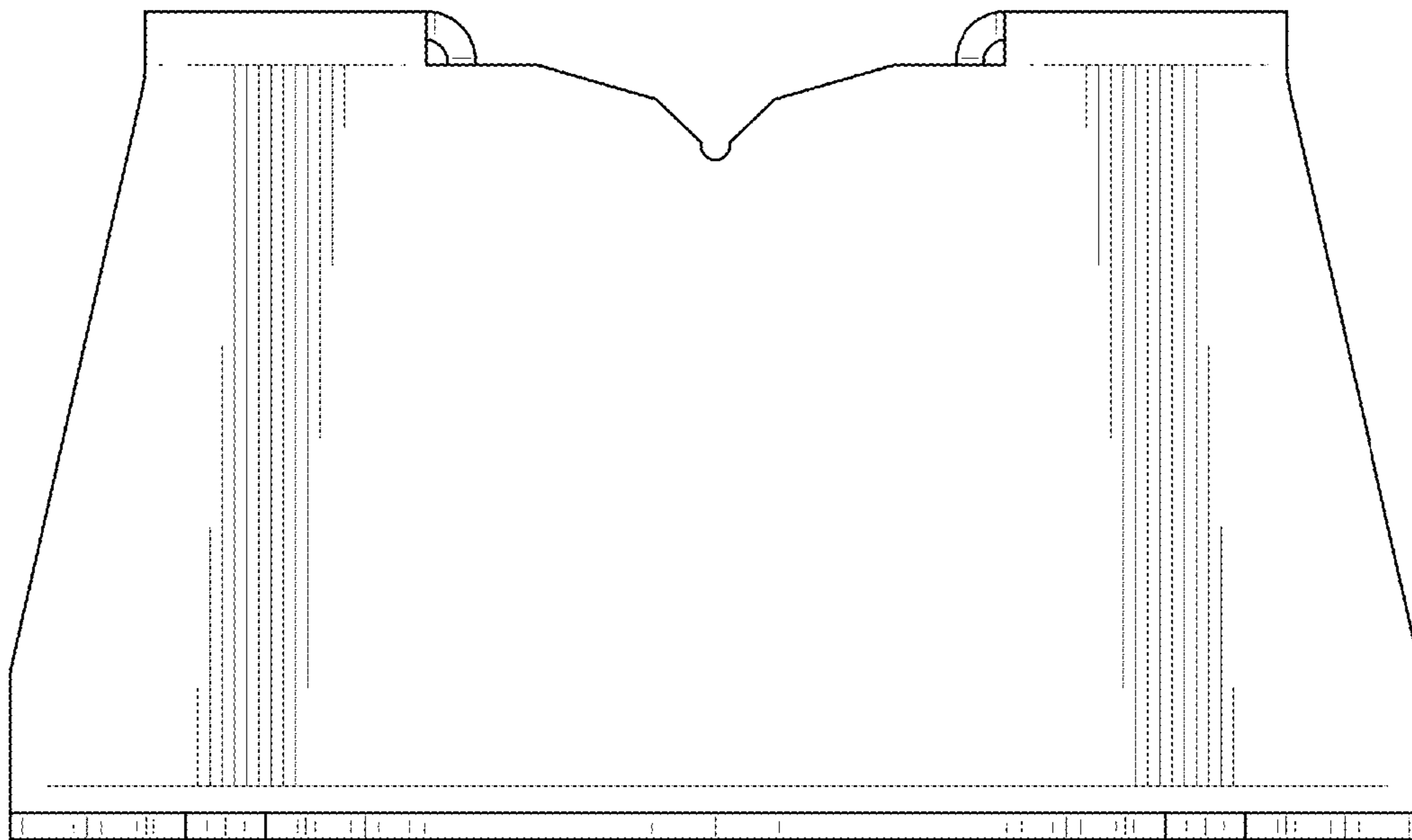


Figure 2

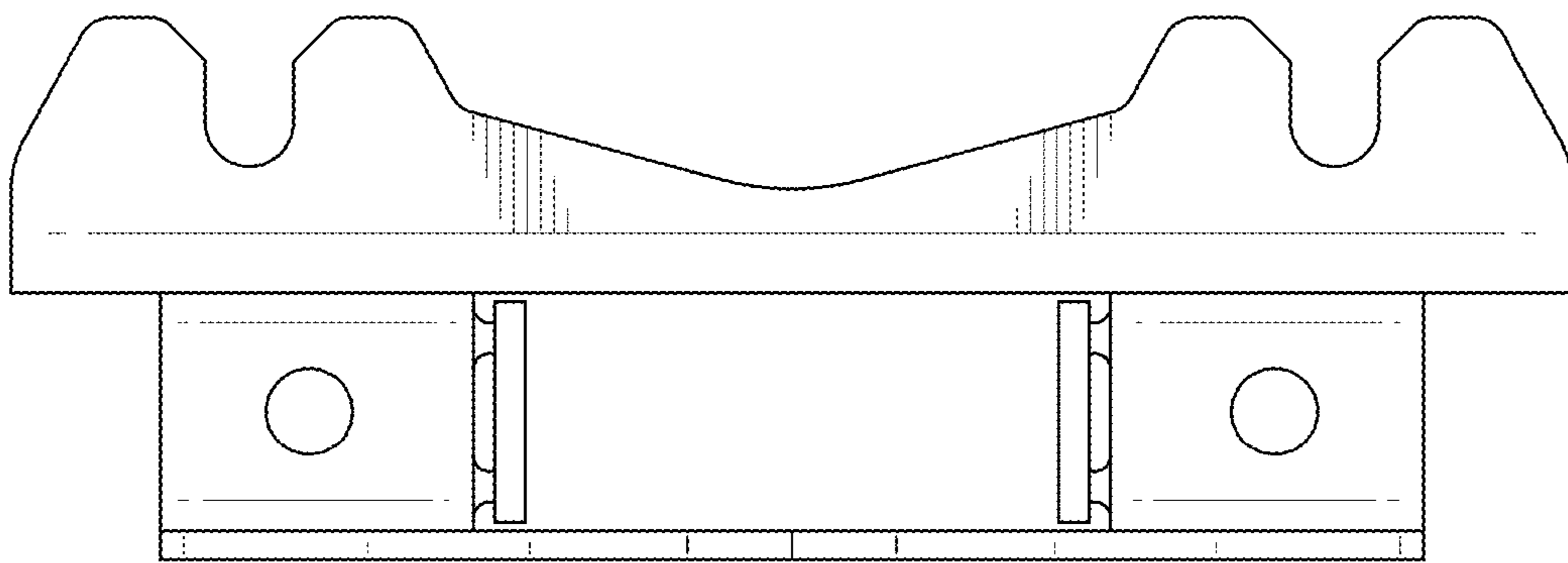


Figure 3

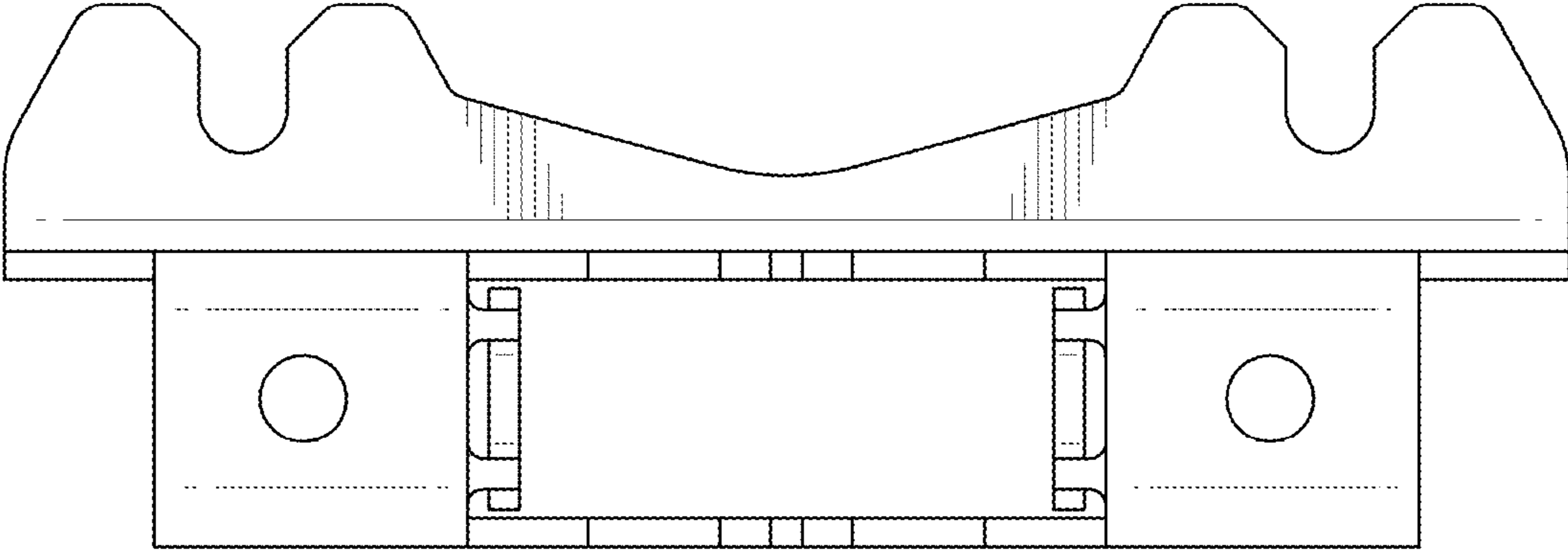


Figure 4

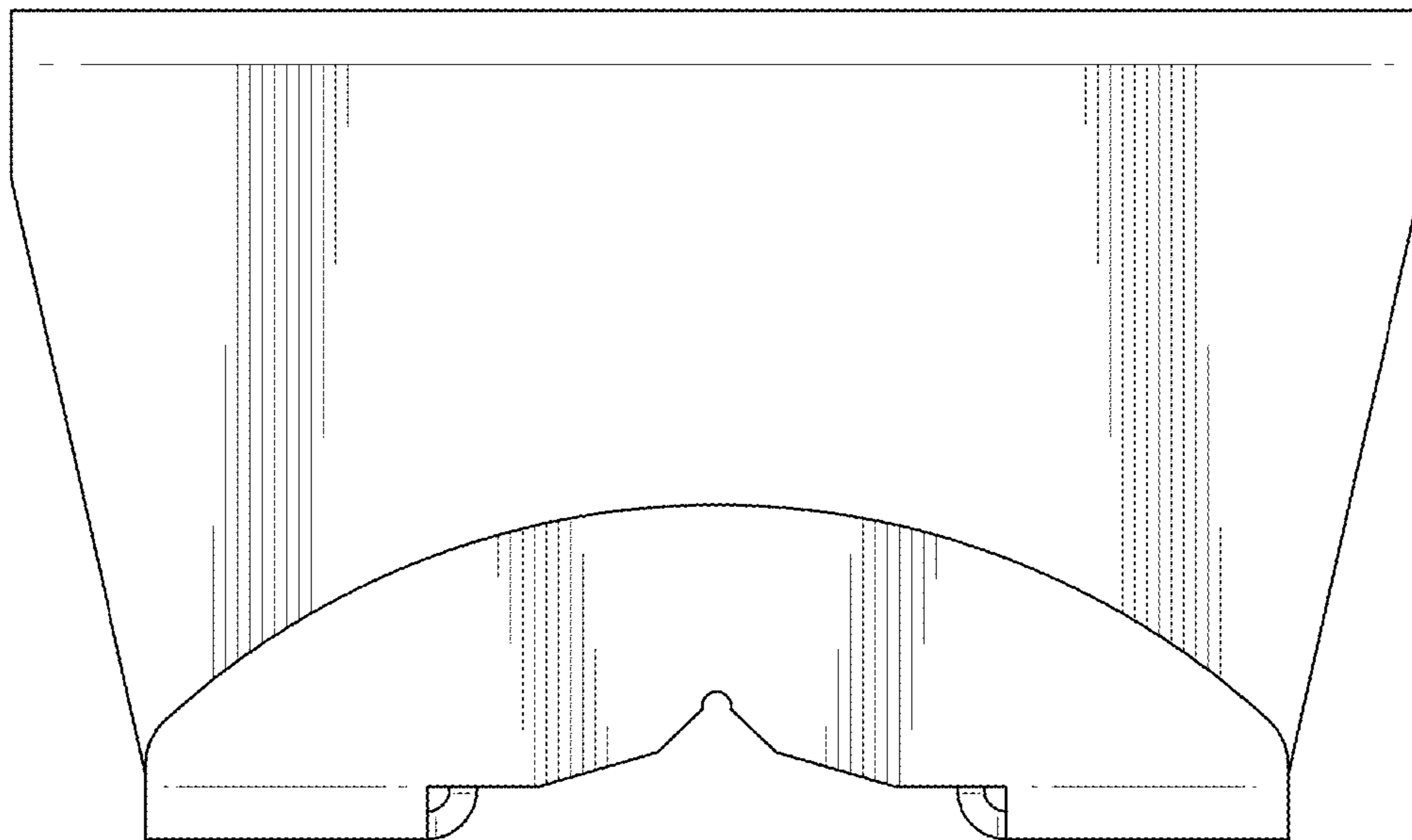


Figure 5

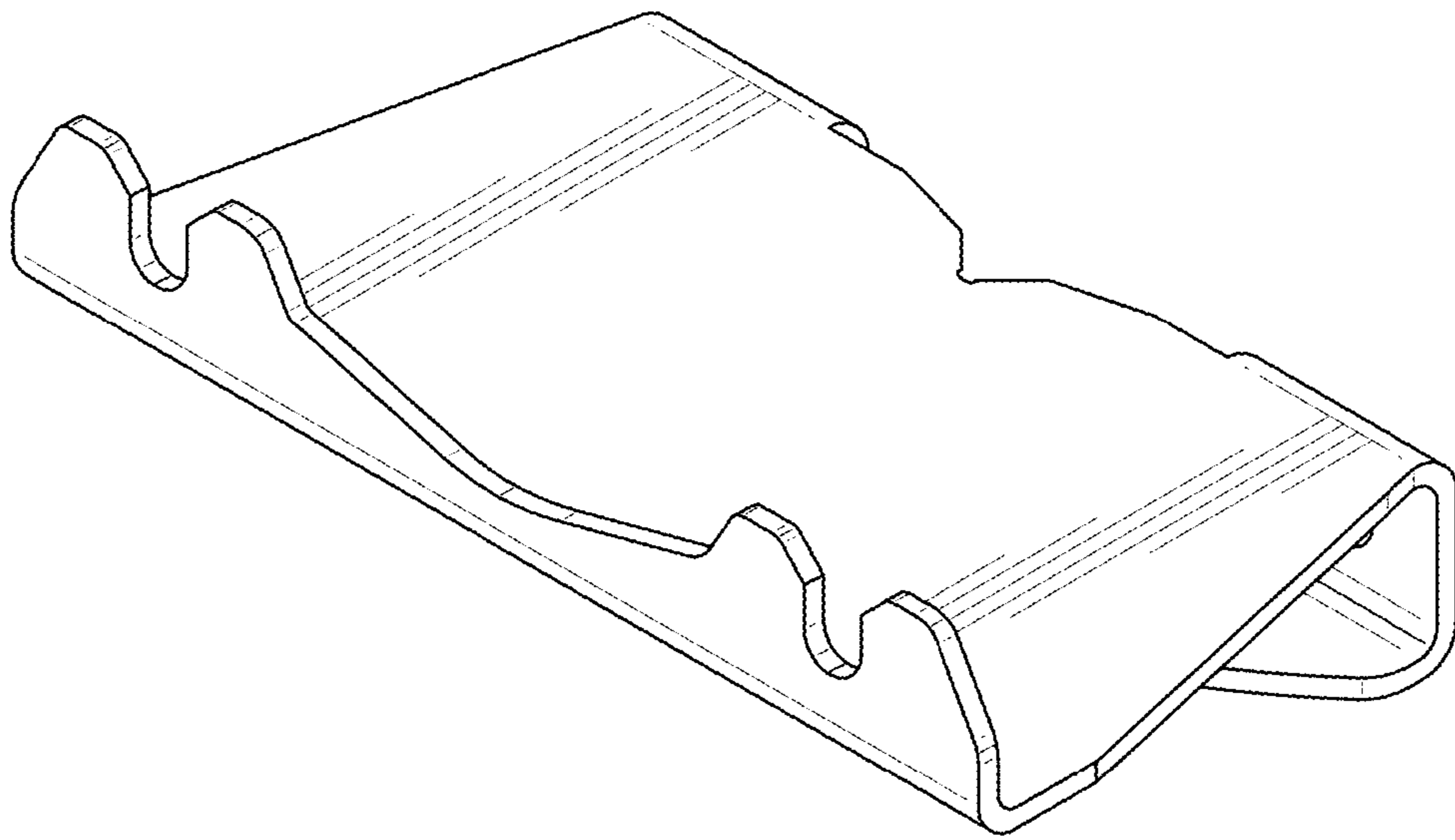


Figure 6

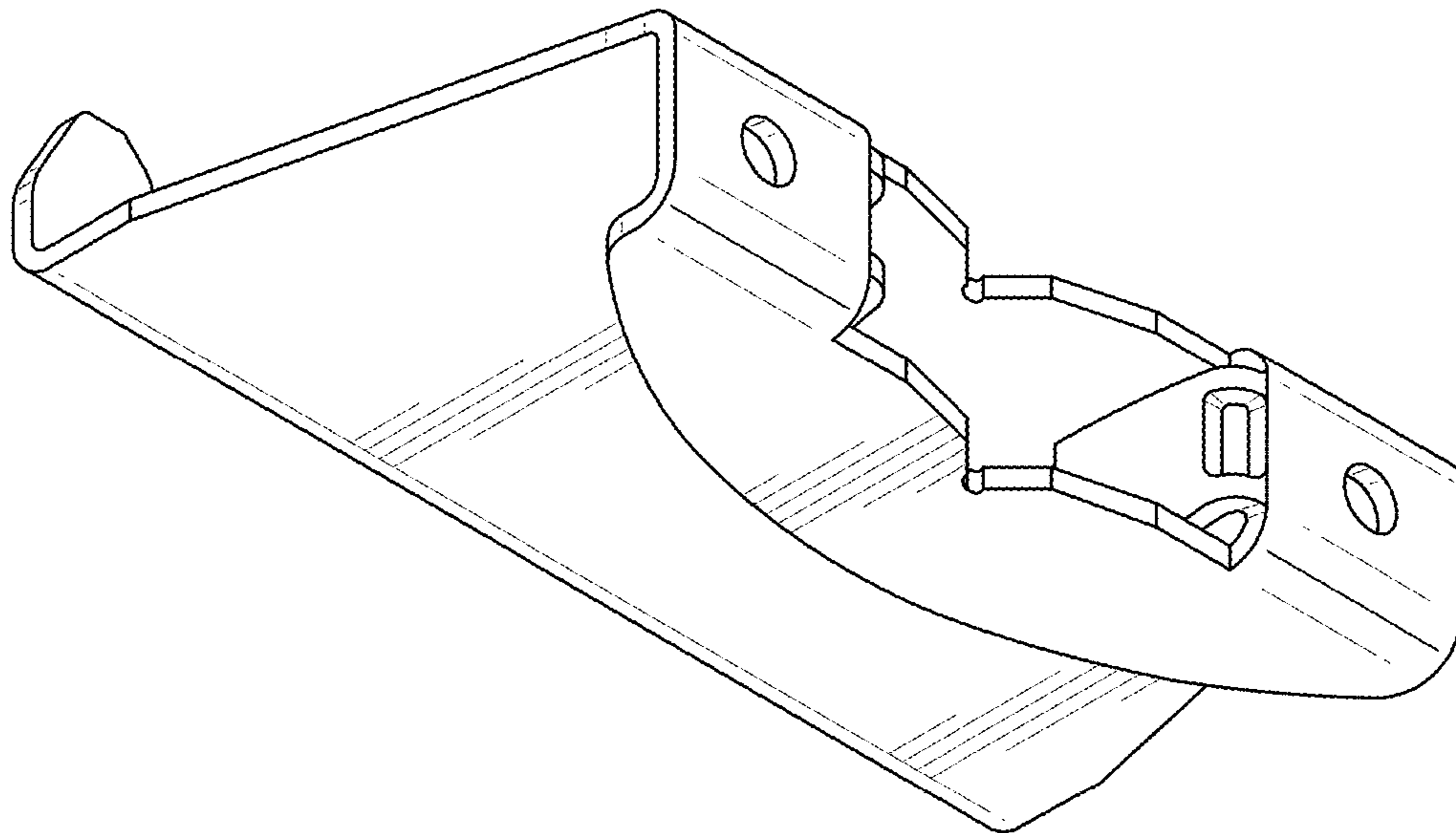


Figure 7