

US00D768468S

(12) **United States Design Patent** (10) **Patent No.:** **US D768,468 S**  
**Maloney** (45) **Date of Patent:** **\*\* \*Oct. 11, 2016**

(54) **METALLIC PIN FASTENER**

(75) Inventor: **Michael J. Maloney**, Doylestown, PA (US)

(73) Assignee: **PEM Management, Inc.**, Wilmington, DE (US)

(\* ) Notice: This patent is subject to a terminal disclaimer.

(\*\* ) Term: **14 Years**

(21) Appl. No.: **29/426,430**

(22) Filed: **Jul. 5, 2012**

(51) **LOC (10) Cl.** ..... **08-08**

(52) **U.S. Cl.**  
USPC ..... **D8/382**

(58) **Field of Classification Search**  
USPC ..... D8/349, 354, 382, 397; 72/352; 470/27; D11/88; 411/339; 248/200, 300  
See application file for complete search history.

(56) **References Cited**

**U.S. PATENT DOCUMENTS**

D248,458 S *	7/1978	Gatof et al. ....	D11/88
D278,594 S *	4/1985	Lye .....	D8/25
D302,401 S *	7/1989	Weingast .....	D11/88
D363,683 S *	10/1995	Spurgeon et al. ....	D11/88

D623,506 S *	9/2010	Ghatikar et al. ....	D8/382
8,021,091 B2 *	9/2011	Bentrim .....	411/180
D658,478 S *	5/2012	Wall .....	D8/349
8,297,899 B2 *	10/2012	Maloney .....	411/339
D674,273 S *	1/2013	Yogev .....	D8/382
D688,937 S *	9/2013	Brewer .....	D8/382
D691,879 S *	10/2013	Bernard .....	D8/382
8,616,039 B2 *	12/2013	Maloney .....	72/352
D703,524 S *	4/2014	Sakoda .....	D8/397

\* cited by examiner

*Primary Examiner* — Sheryl Lane

(74) *Attorney, Agent, or Firm* — Ryder, Lu, Mazzeo & Konieczny, LLC; Joseph M. Konieczny, Sr.; Gregory J. Gore

(57) **CLAIM**

The ornamental design for a metallic pin fastener, as shown and described.

**DESCRIPTION**

FIG. 1 is a bottom front isometric view of a metallic pin fastener.

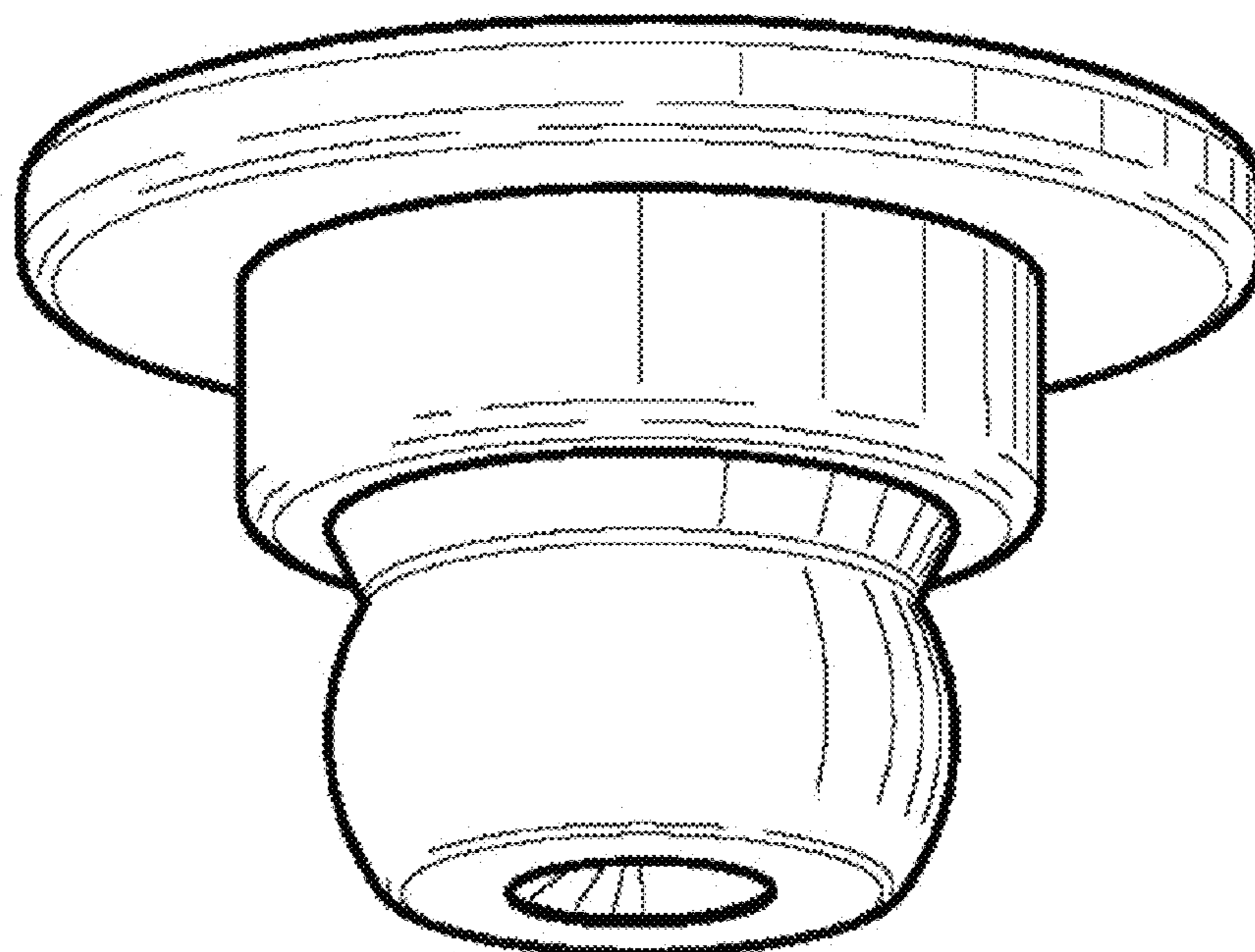
FIG. 2 is a front elevation view thereof, left, rear and right side elevation views being identical.

FIG. 3 is a top plan view thereof; and,

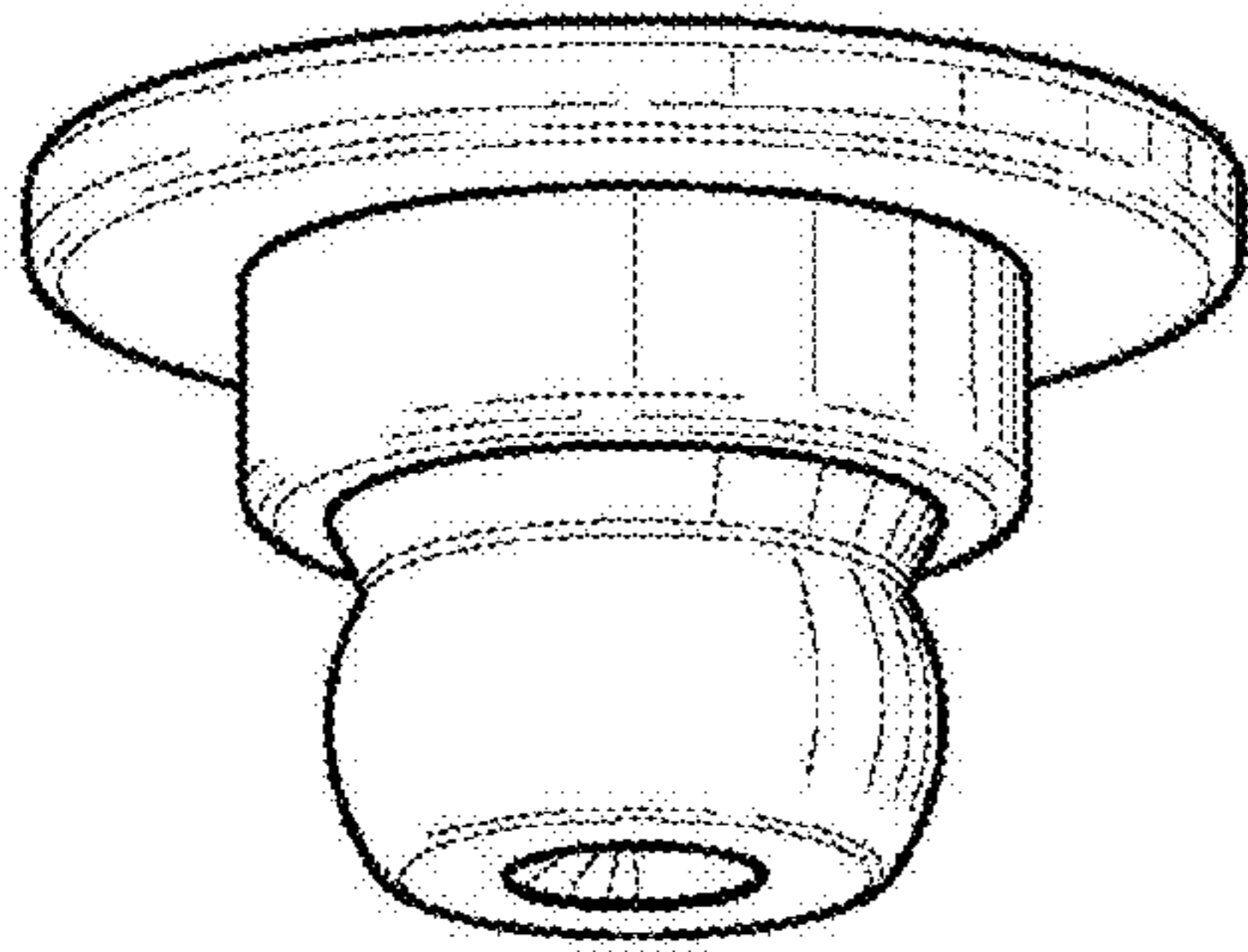
FIG. 4 is a bottom view thereof.

The broken lines represent portions of the article and form no part of the claimed design.

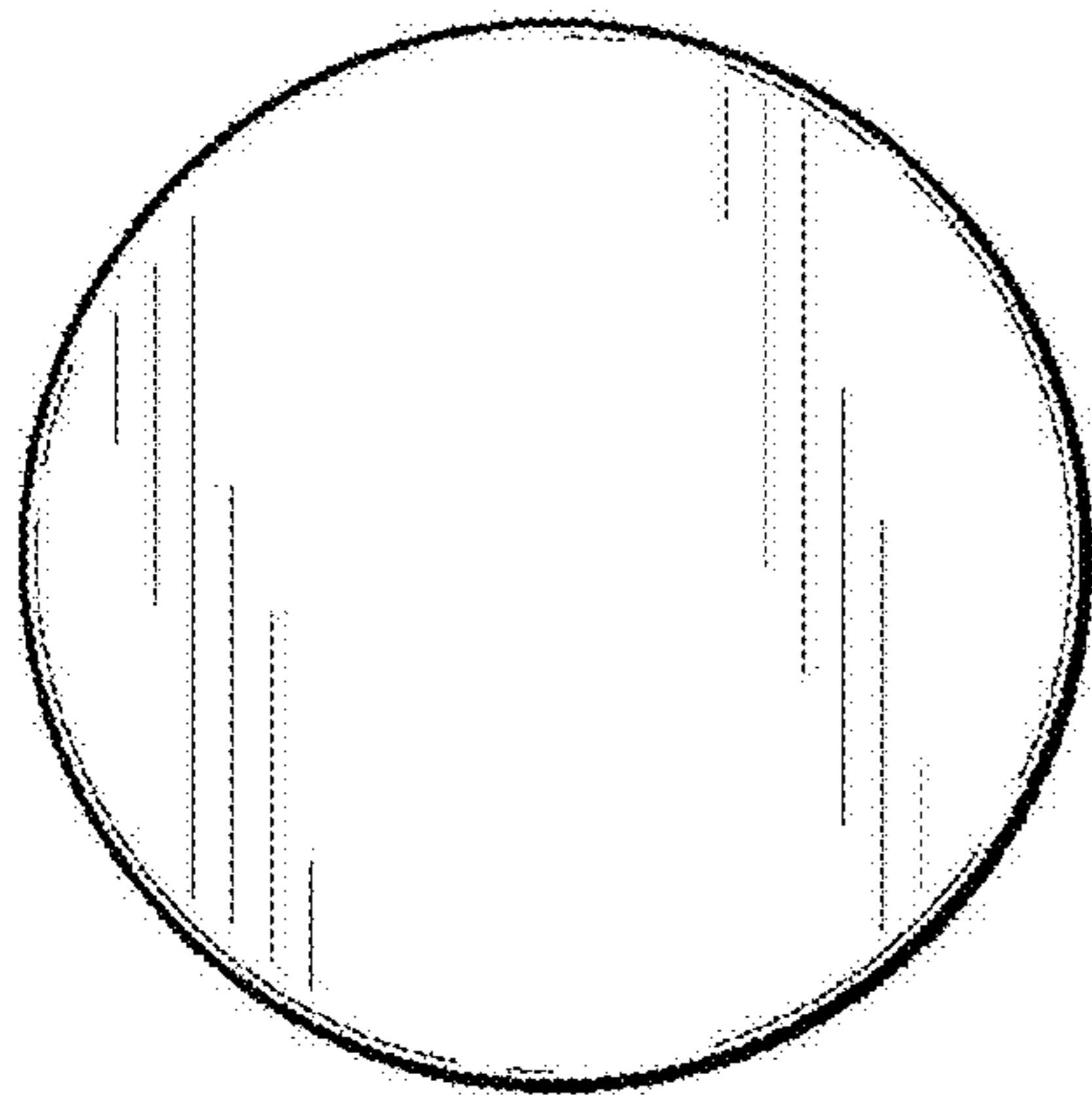
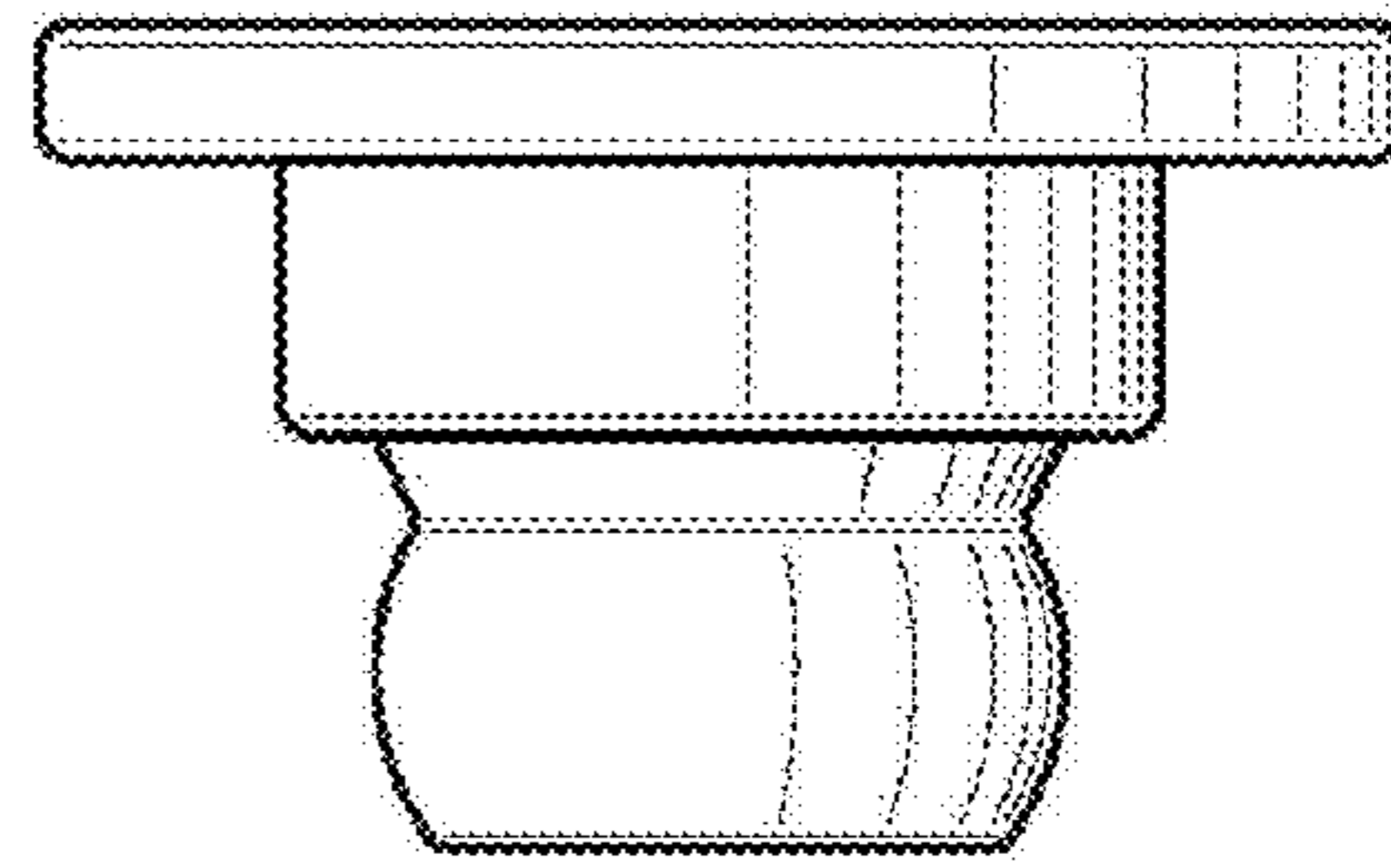
**1 Claim, 1 Drawing Sheet**



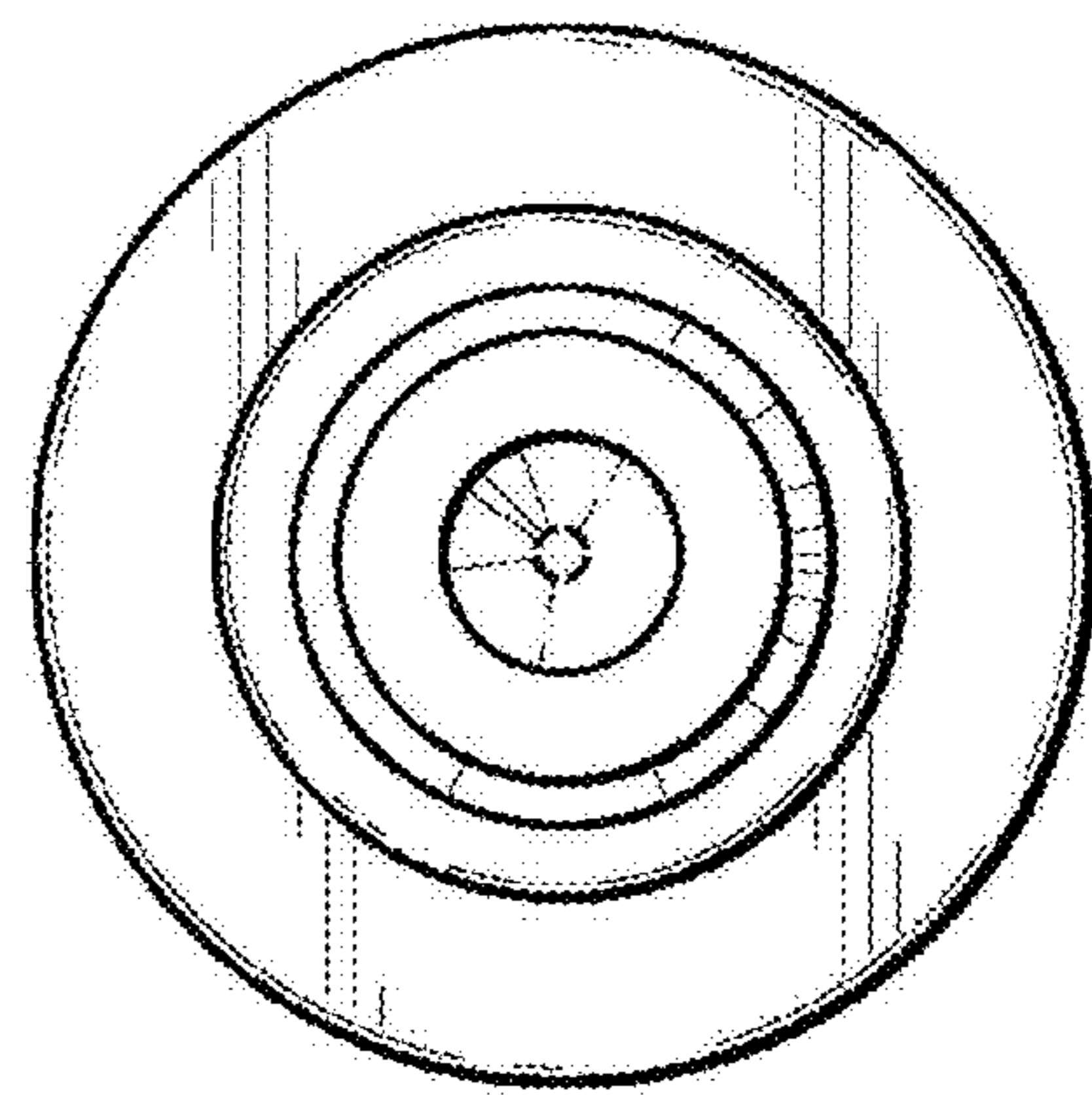
*FIG. 1*



*FIG. 2*



*FIG. 3*



*FIG. 4*