



US00D768467S

(12) **United States Design Patent**
Paulin

(10) **Patent No.:** **US D768,467 S**
(45) **Date of Patent:** **** Oct. 11, 2016**

(54) **DECKING SPACER**
(71) Applicant: **John Paulin**, Statham, GA (US)
(72) Inventor: **John Paulin**, Statham, GA (US)
(**) Term: **15 Years**
(21) Appl. No.: **29/530,213**
(22) Filed: **Jun. 15, 2015**
(51) **LOC (10) Cl.** **08-05**
(52) **U.S. Cl.**
USPC **D8/354**
(58) **Field of Classification Search**
USPC D8/354, 349; 52/650.3, 229.1, 220, 2,
52/50, 450, 470, 87, 480, DIG. 1;
D25/199; 33/526, 645
CPC E04B 1/00; E04B 1/20; E04B 1/24;
E04B 1/26; G01B 1/00; G01B 3/32; E04F
21/0092; E04F 21/22
See application file for complete search history.

D437,945 S * 2/2001 Mast D25/199
6,385,858 B1 5/2002 Muller
6,508,010 B2 * 1/2003 Hanson E04F 21/0092
33/526
6,539,641 B2 4/2003 Belliveau
6,622,394 B2 9/2003 Werner et al.
6,978,735 B1 * 12/2005 Yeager A01K 61/006
119/221
7,571,580 B2 * 8/2009 Miller E04B 5/40
52/220.4
D600,105 S * 9/2009 Harris D8/382
D665,657 S * 8/2012 Pelc D8/354
8,307,564 B1 11/2012 Heaton
D678,039 S * 3/2013 Psaila D8/354
D723,355 S * 3/2015 Federspiel D8/354
2008/0010846 A1 1/2008 Bingham

* cited by examiner

Primary Examiner — Prabhakar Deshmukh
(74) *Attorney, Agent, or Firm* — Mitch Harris, Atty at
Law, LLC; Andrew M. Harris

(57) **CLAIM**
The ornamental design for a decking spacer, as shown and
described.

(56) **References Cited**

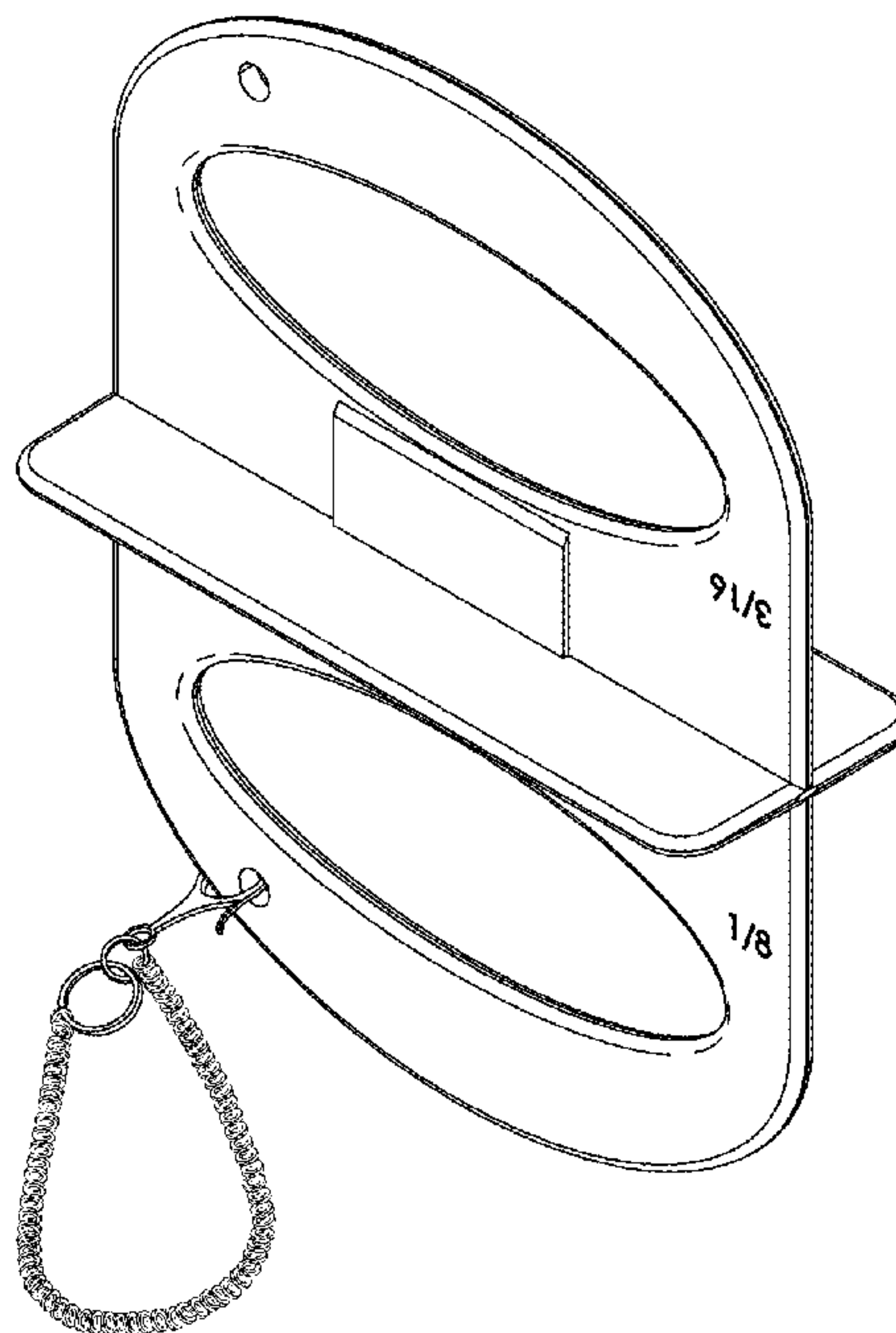
U.S. PATENT DOCUMENTS

3,735,497 A * 5/1973 Boettcher E04F 21/0092
33/526
4,850,114 A * 7/1989 Vockins E04F 21/0092
33/526
4,930,225 A 6/1990 Phillips
4,955,142 A 9/1990 Rieck
5,190,266 A * 3/1993 Barrera B27H 1/00
254/17
5,478,050 A * 12/1995 Ott E04F 21/22
254/17
5,560,117 A * 10/1996 Tallman E01C 9/086
33/526

DESCRIPTION

FIG. 1 is a perspective view of a decking spacer showing my
new design;
FIG. 2 is a front elevational view thereof;
FIG. 3 is a rear elevational view thereof;
FIG. 4 is a top plan view thereof;
FIG. 5 is a bottom plan view thereof;
FIG. 6 is a side elevational view thereof; and,
FIG. 7 is a side elevational view opposite to FIG. 6.

1 Claim, 4 Drawing Sheets



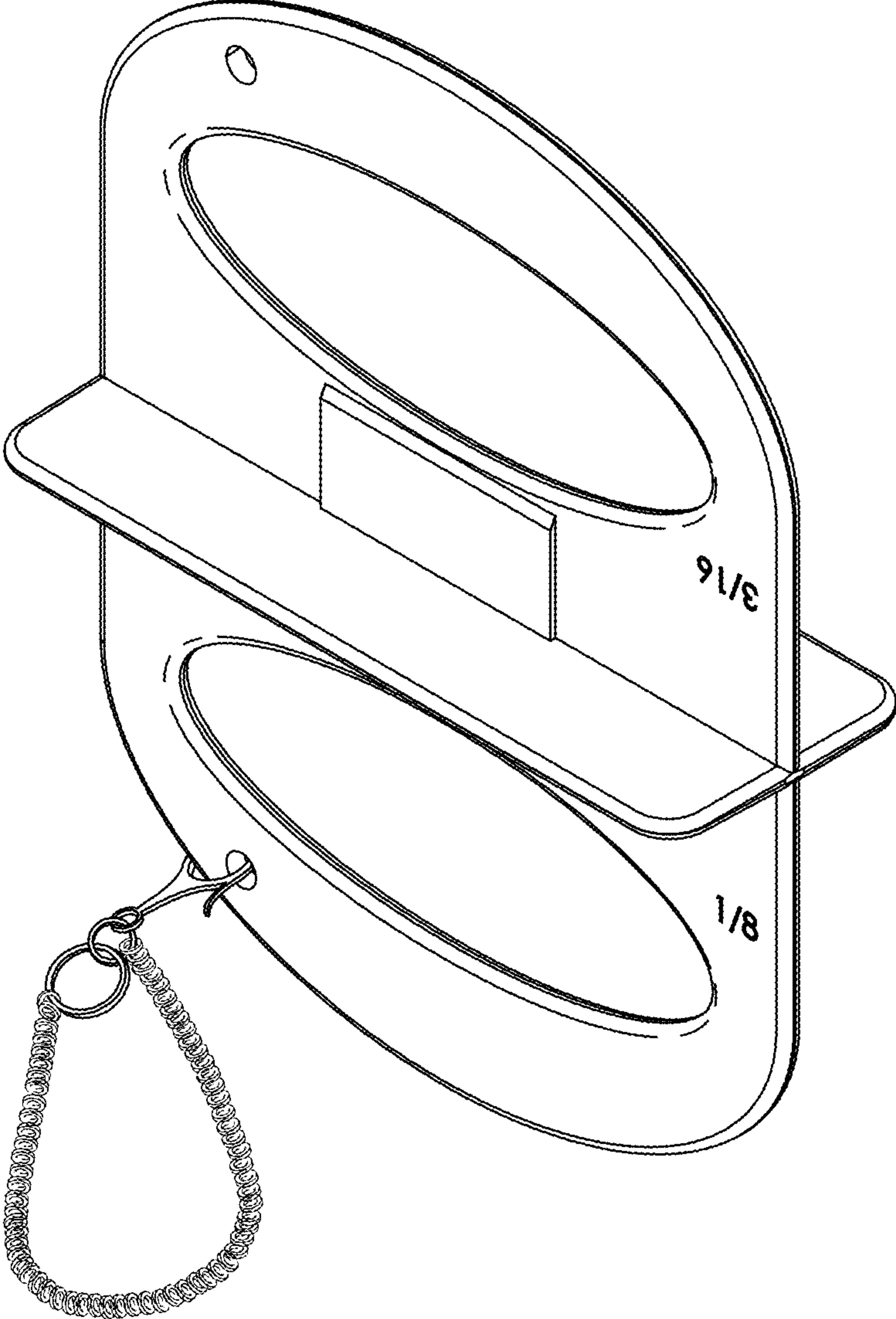


FIG. 1

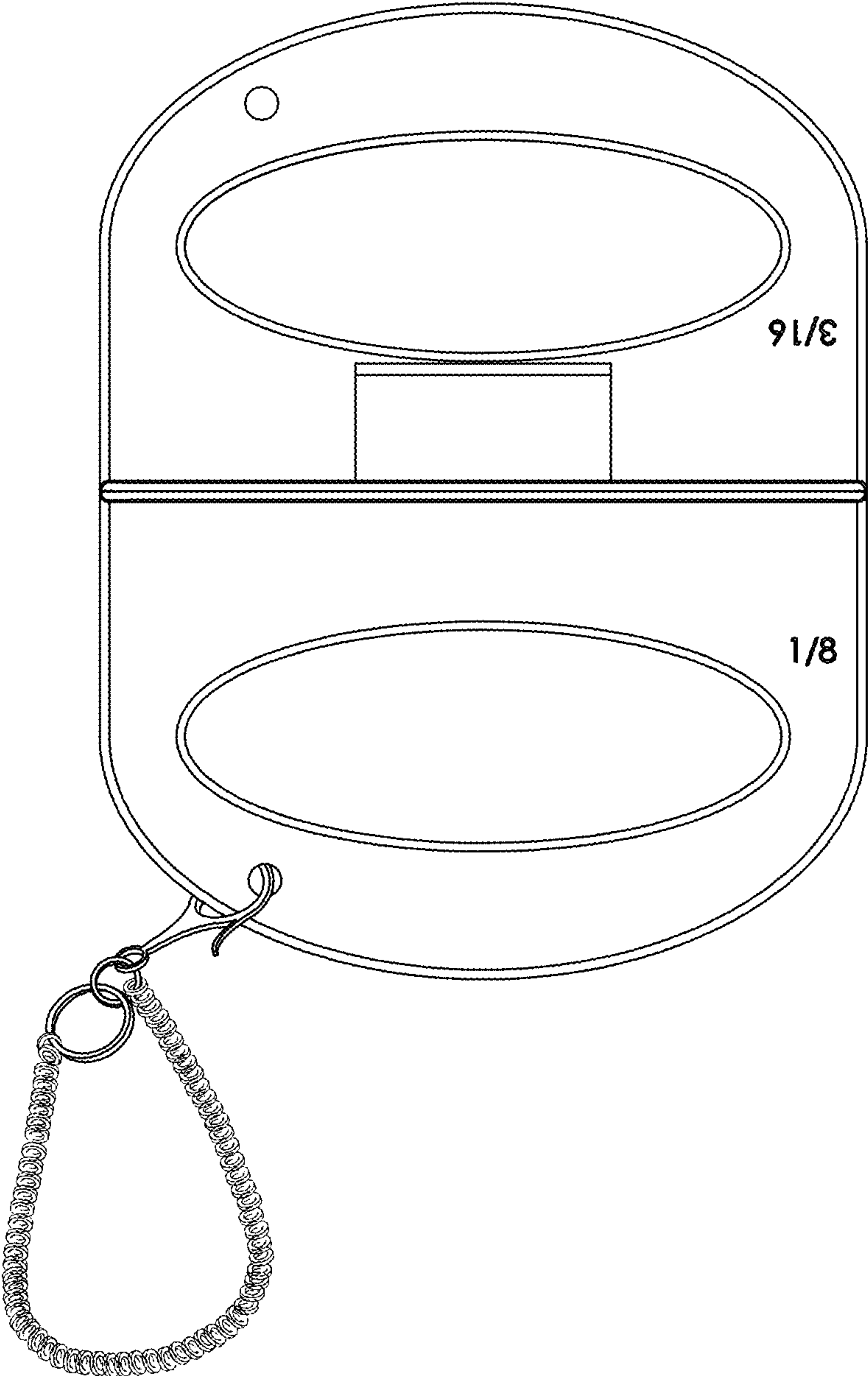


FIG. 2

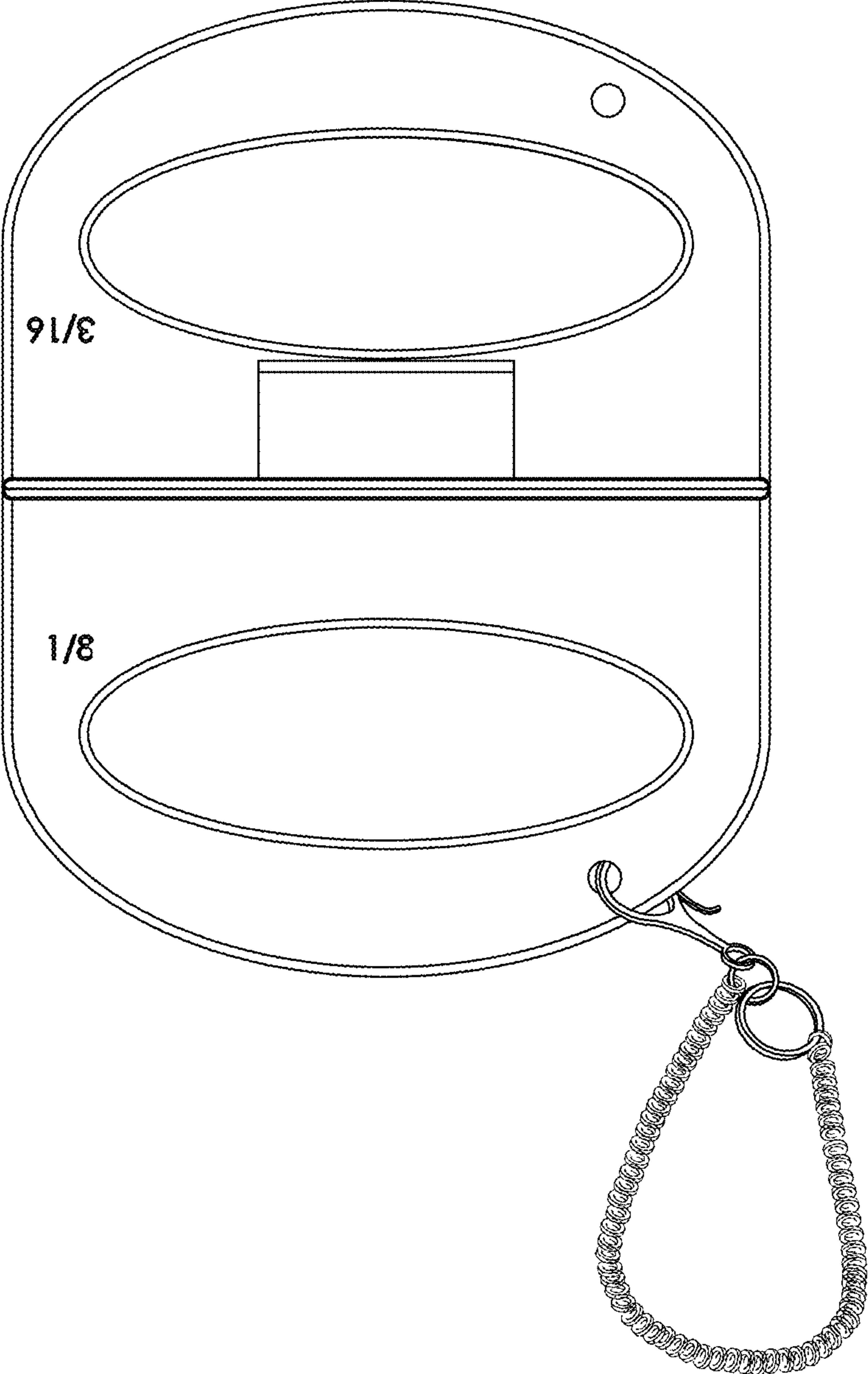


FIG. 3

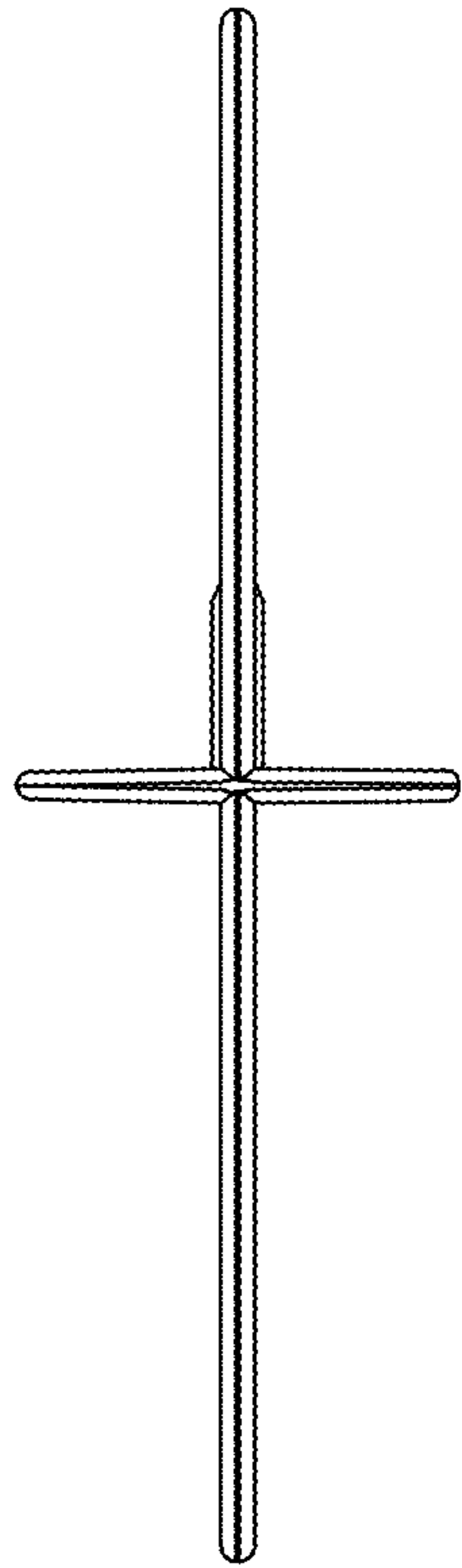


FIG. 6

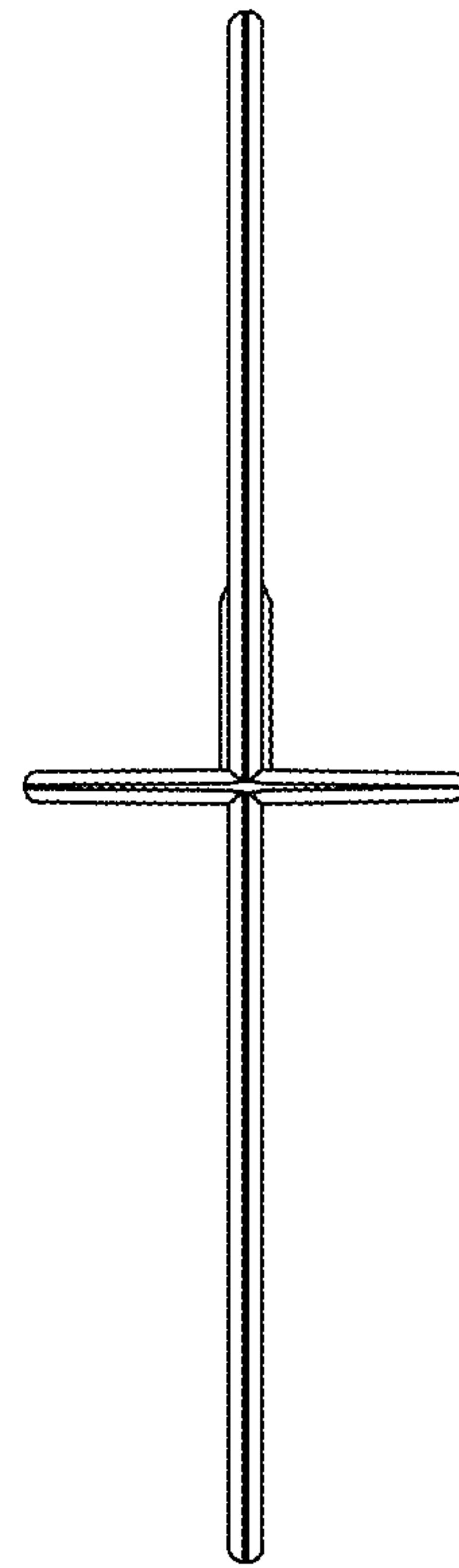


FIG. 7

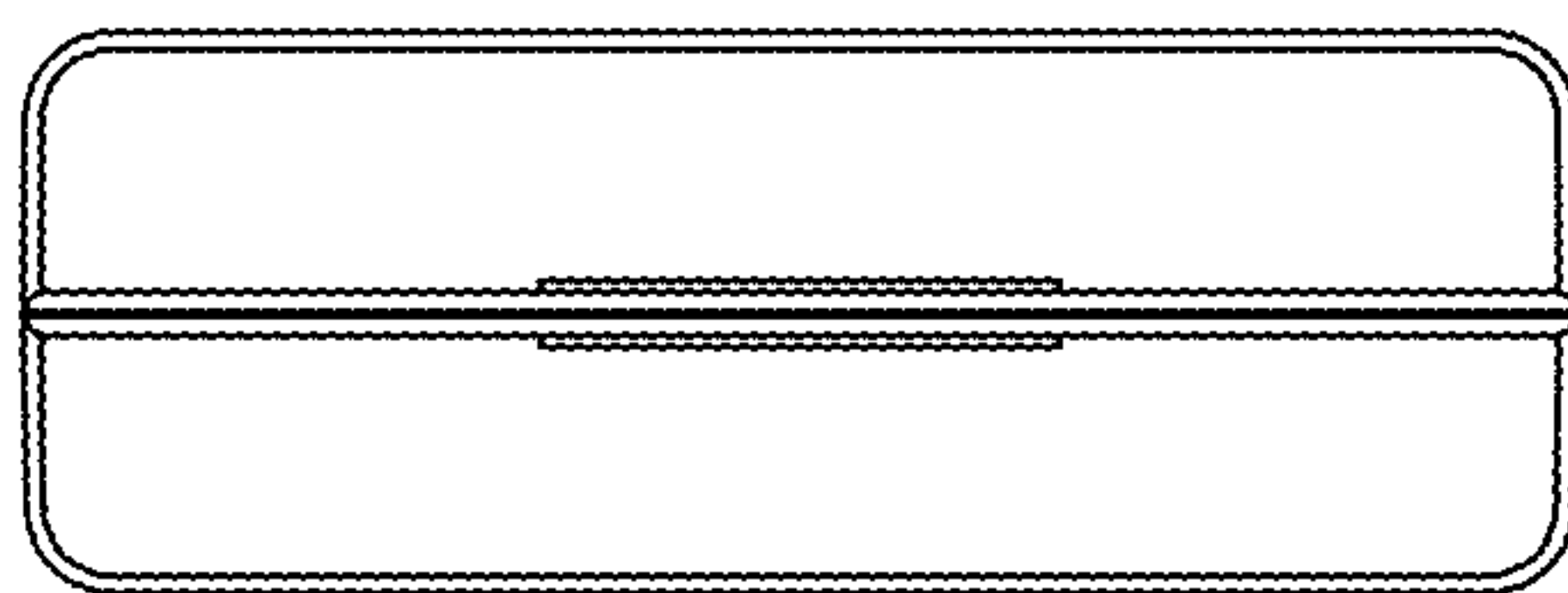


FIG. 5

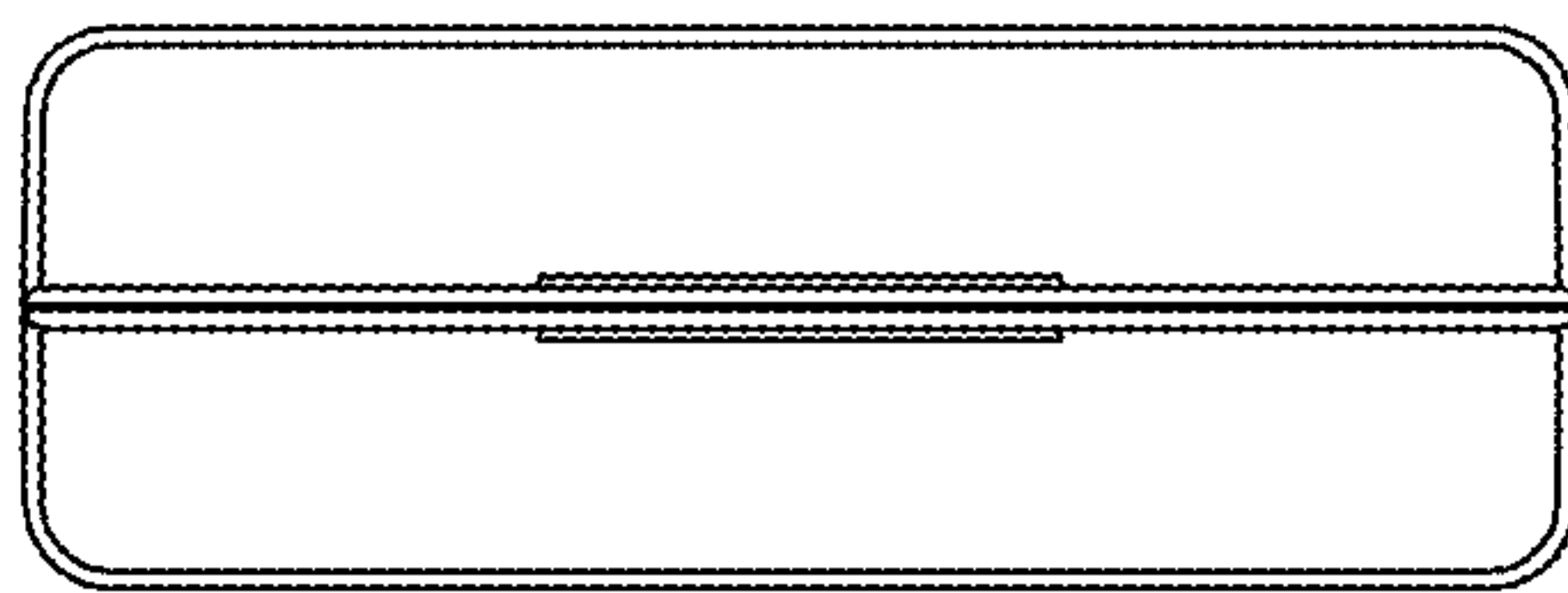


FIG. 4