

US00D768464S

(12) **United States Design Patent**  
**Hatton**

(10) **Patent No.:** **US D768,464 S**  
(45) **Date of Patent:** **\*\* Oct. 11, 2016**

(54) **LATCH**

FOREIGN PATENT DOCUMENTS

(71) Applicant: **PENN ELCOM LIMITED**, St.  
Leonards on Sea, East Sussex (GB)

EP 1840307 10/2007  
EP 1975354 10/2008

(Continued)

(72) Inventor: **James Hatton**, St. Leonards on Sea  
(GB)

OTHER PUBLICATIONS

(73) Assignee: **PENN ELCOM LIMITED**, St.  
Leonards on Sea (GB)

Extended European Search Report dated Oct. 6, 2011 for EP  
Application No. 11161387.3.

(\*\*) Term: **14 Years**

(Continued)

(21) Appl. No.: **29/525,656**

*Primary Examiner* — Prabhakar Deshmukh

(22) Filed: **Apr. 30, 2015**

(74) *Attorney, Agent, or Firm* — Fleit Gibbons Gutman  
Bongini & Bianco PL; Paul D. Bianco

(30) **Foreign Application Priority Data**

Oct. 31, 2014 (EM) ..... 002569467-0001  
Oct. 31, 2014 (EM) ..... 002569467-0002  
Oct. 31, 2014 (EM) ..... 002569467-0003  
Oct. 31, 2014 (EM) ..... 002569467-0004

(57) **CLAIM**

The ornamental design for a latch, as shown and described.

(51) **LOC (10) Cl.** ..... **08-07**

(52) **U.S. Cl.**  
USPC ..... **D8/331**

**DESCRIPTION**

(58) **Field of Classification Search**  
USPC ..... D8/330, 331, 335, 339, 302, 343;  
70/141, 208; 292/336.3, 169, 358, 359,  
292/170, 175, 165, 224, 140-145, 240-242,  
292/DIG. 14, DIG. 30, DIG. 31, DIG. 4  
CPC ..... E05C 1/12; E05C 1/02; E05C 3/12;  
E05C 3/08; E05C 19/00; E05B 3/00  
See application file for complete search history.

FIG. 1 is a perspective view of a latch showing mu new design;  
FIG. 2 is an another perspective view thereof;  
FIG. 3 is a top plan view thereof;  
FIG. 4 is a front elevational view thereof;  
FIG. 5 is a rear elevational view thereof;  
FIG. 6 is a left side elevational view thereof;  
FIG. 7 is a right side elevational view thereof;  
FIG. 8 is a perspective view of a second embodiment of a latch;  
FIG. 9 is an another perspective view of FIG. 8;  
FIG. 10 is a top plan view of FIG. 8;  
FIG. 11 is a front elevational view of FIG. 8;  
FIG. 12 is a rear elevational view of FIG. 8;  
FIG. 13 is a left side elevational view of FIG. 8; and,  
FIG. 14 is a right side elevational view of FIG. 8.  
The broken lines indicate unclaimed portions and form no part of the claimed design. The bottom of both embodiments is disclaimed.

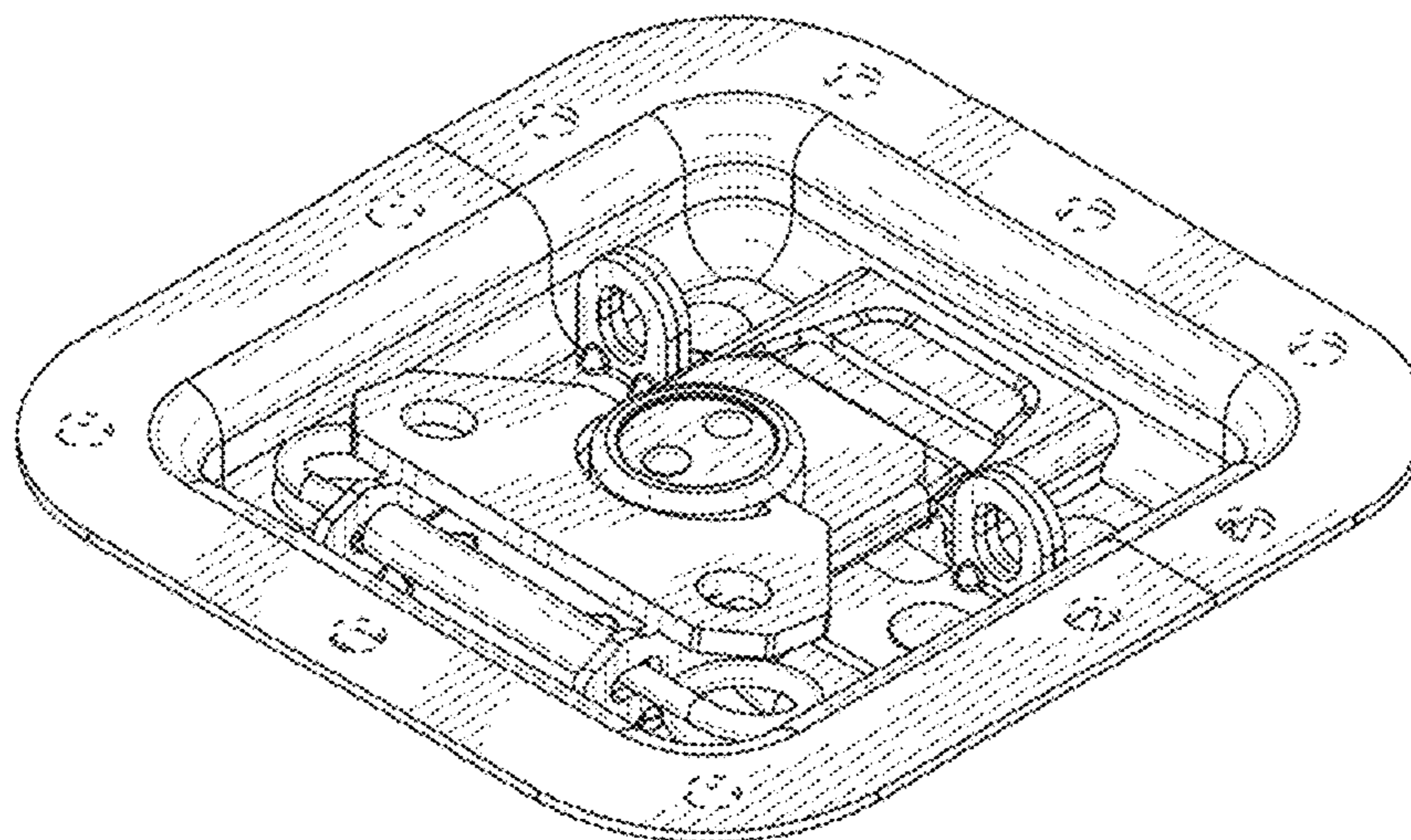
(56) **References Cited**

U.S. PATENT DOCUMENTS

2,600,483 A \* 6/1952 Colonna ..... E05C 1/145  
292/173  
2,642,300 A \* 6/1953 Pelcin ..... E05C 1/145  
292/173

(Continued)

**1 Claim, 6 Drawing Sheets**



(56)

**References Cited**

U.S. PATENT DOCUMENTS

2,798,371 A 7/1957 Gehrie  
 3,055,204 A \* 9/1962 Pelcin ..... E05C 1/145  
 292/170  
 3,083,426 A 4/1963 Neilson  
 3,998,481 A \* 12/1976 Anthone ..... E05C 19/14  
 292/104  
 5,461,892 A 10/1995 Hsieh  
 5,511,834 A 4/1996 Willems  
 D383,664 S \* 9/1997 Bennett ..... D8/306  
 5,797,635 A \* 8/1998 Willems ..... E05C 19/105  
 292/111  
 D454,478 S \* 3/2002 Willems ..... D8/331  
 D457,803 S \* 5/2002 Weinerman ..... D8/331  
 D483,646 S \* 12/2003 Teskey ..... D8/331  
 D504,813 S \* 5/2005 Chou ..... D9/432  
 D576,017 S \* 9/2008 Hatton ..... D8/331  
 8,733,803 B2 5/2014 Drumm

D729,609 S \* 5/2015 Le ..... D8/331  
 9,103,145 B2 8/2015 Hatton  
 2007/0252058 A1 11/2007 Drumm  
 2008/0238110 A1 10/2008 Hatton  
 2012/0299312 A1 11/2012 Hatton  
 2013/0026769 A1 1/2013 Drumm

FOREIGN PATENT DOCUMENTS

EP 2508701 10/2012  
 GB 776059 6/1957  
 WO 2009047780 4/2009

OTHER PUBLICATIONS

Extended European Search Report dated Jul. 31, 2014 for EP  
 Application No. 14155507.8.

\* cited by examiner

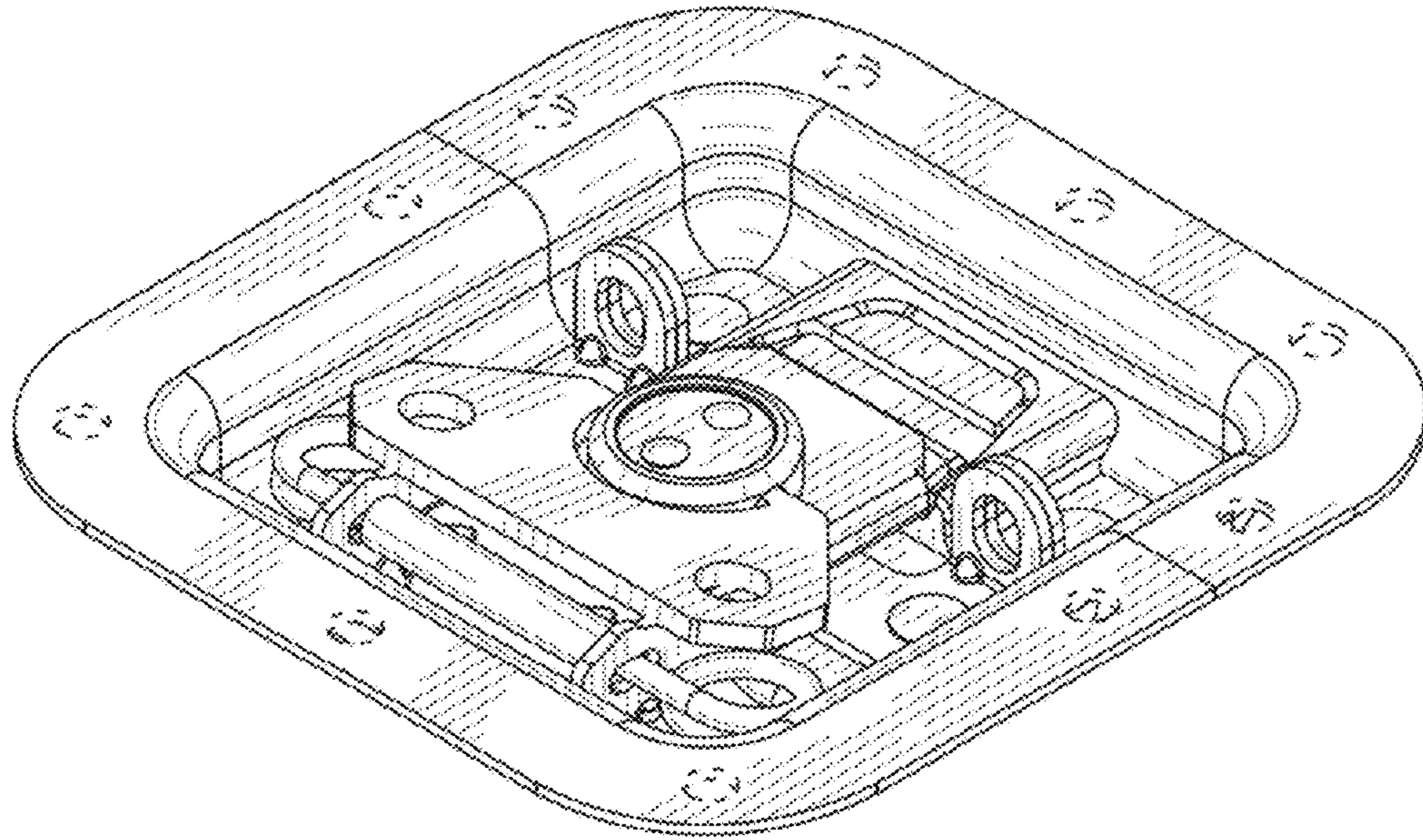


FIG. 1

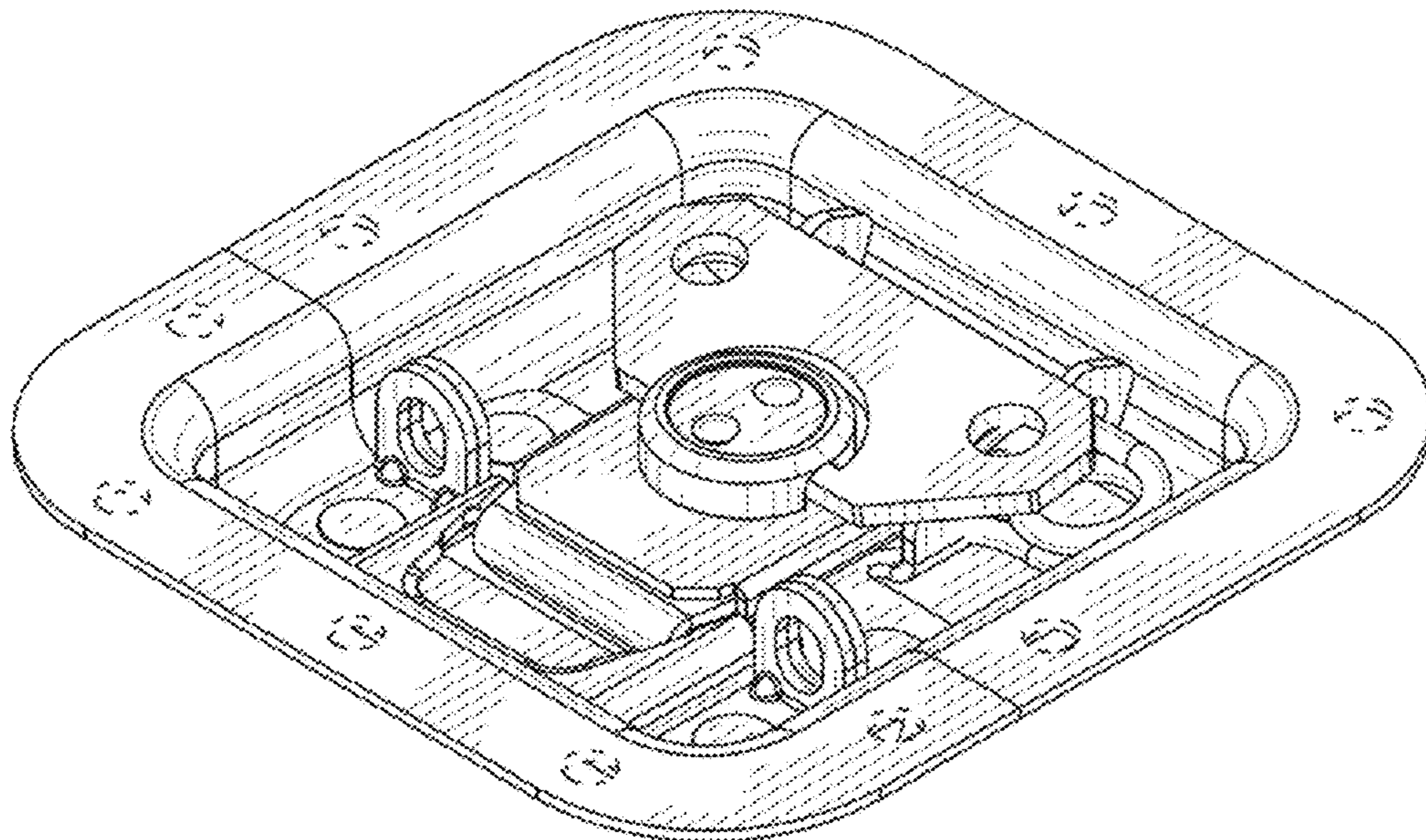


FIG. 2

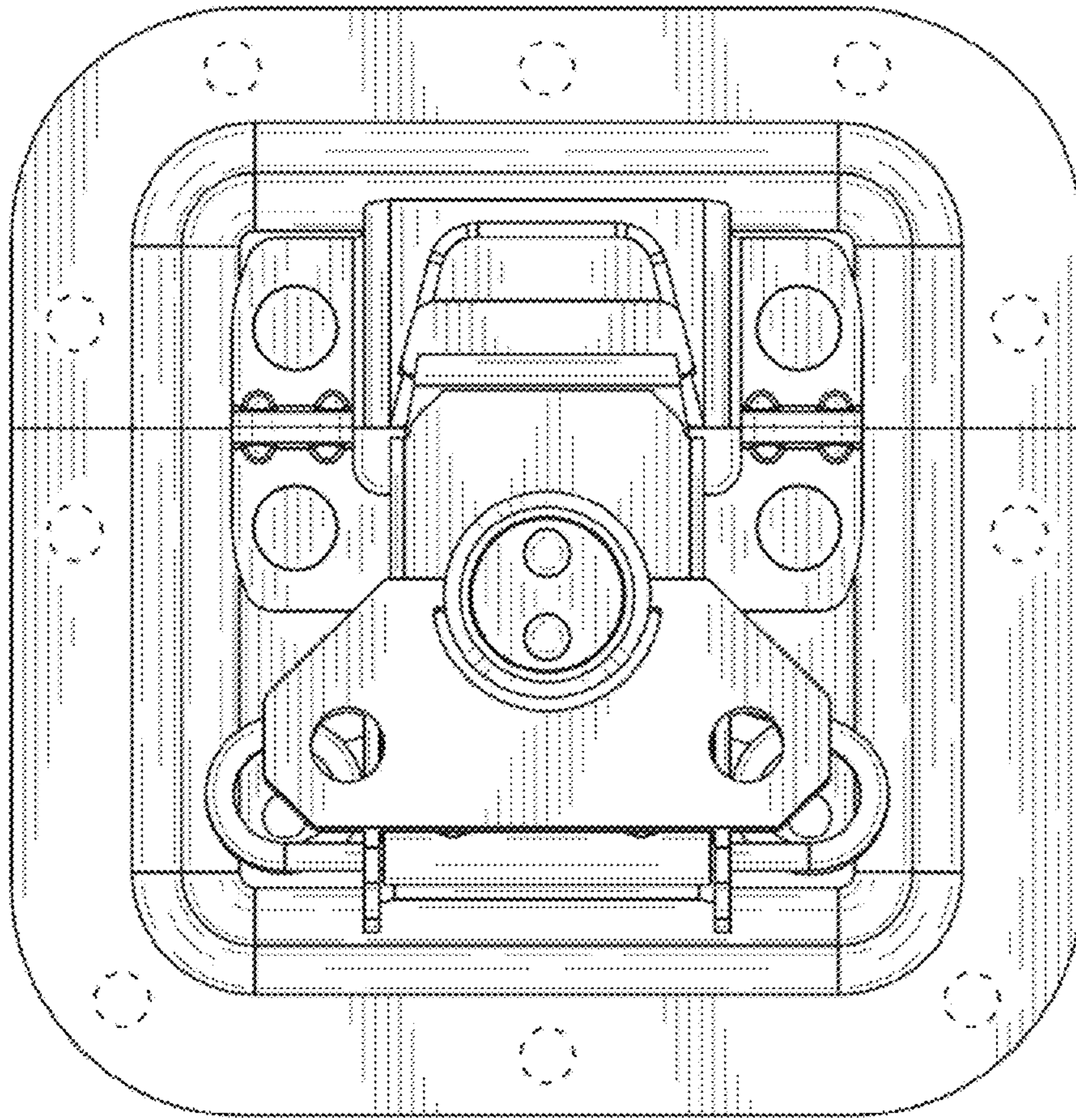


FIG. 3

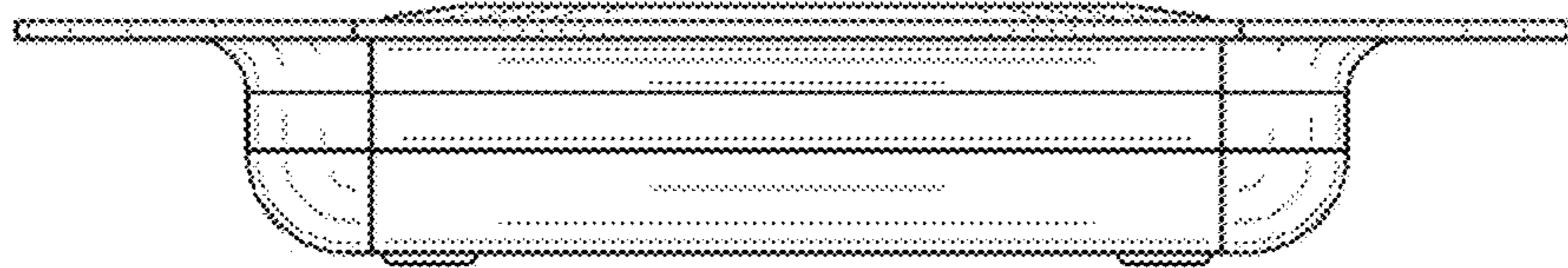


FIG. 4

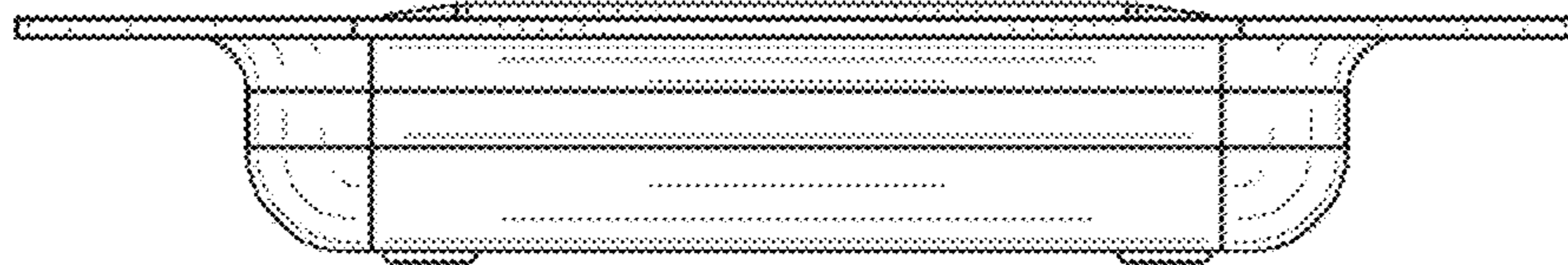


FIG. 5

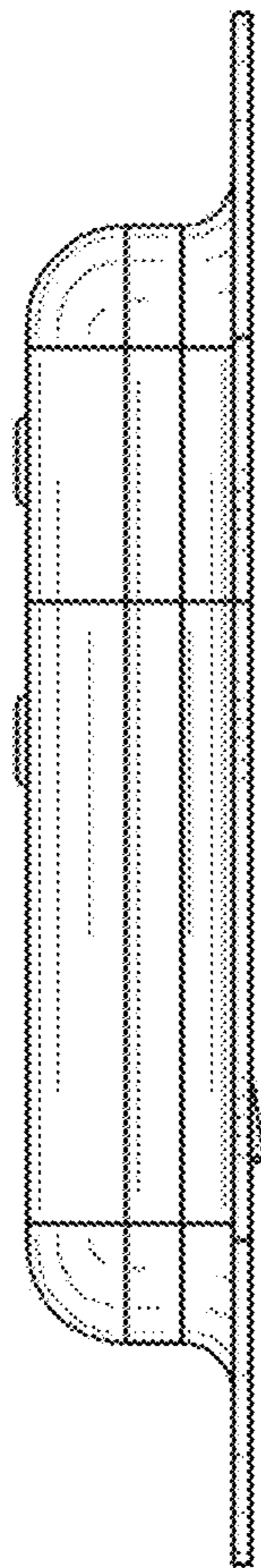


FIG. 6

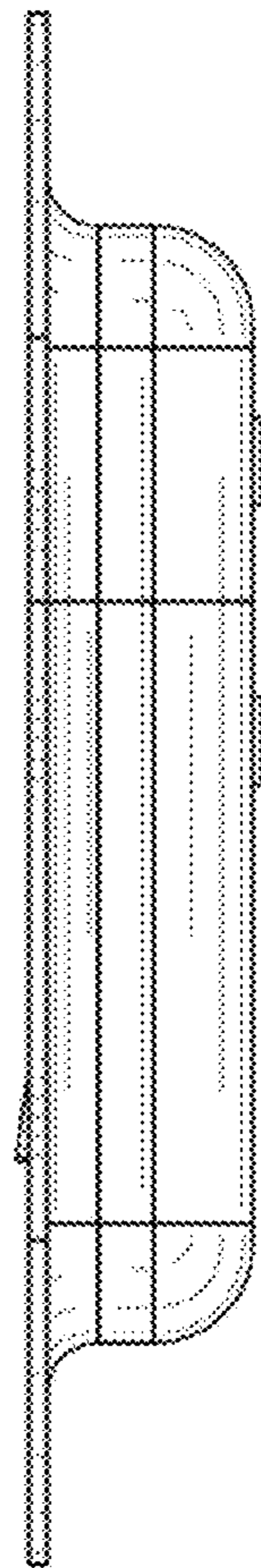


FIG. 7

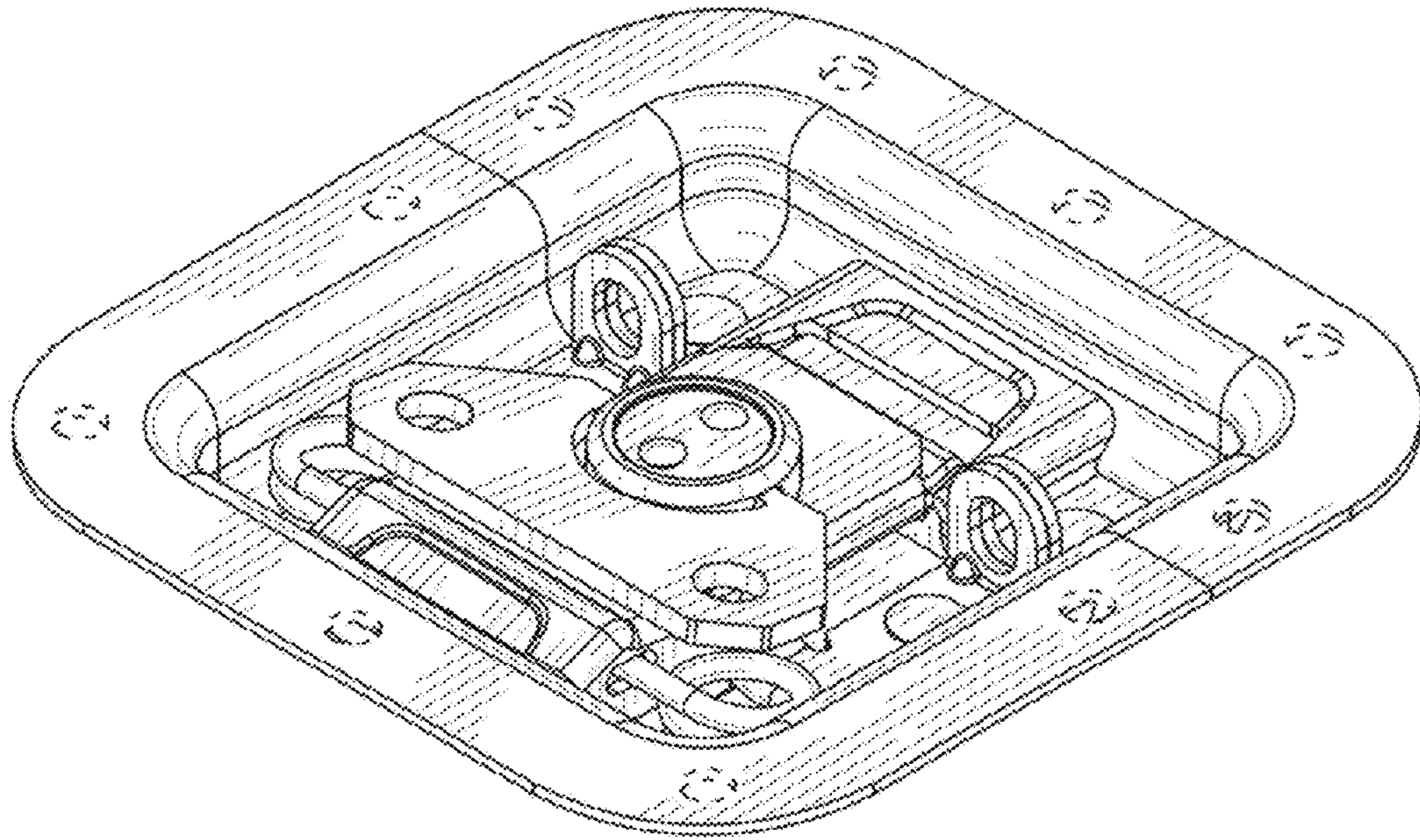


FIG. 8

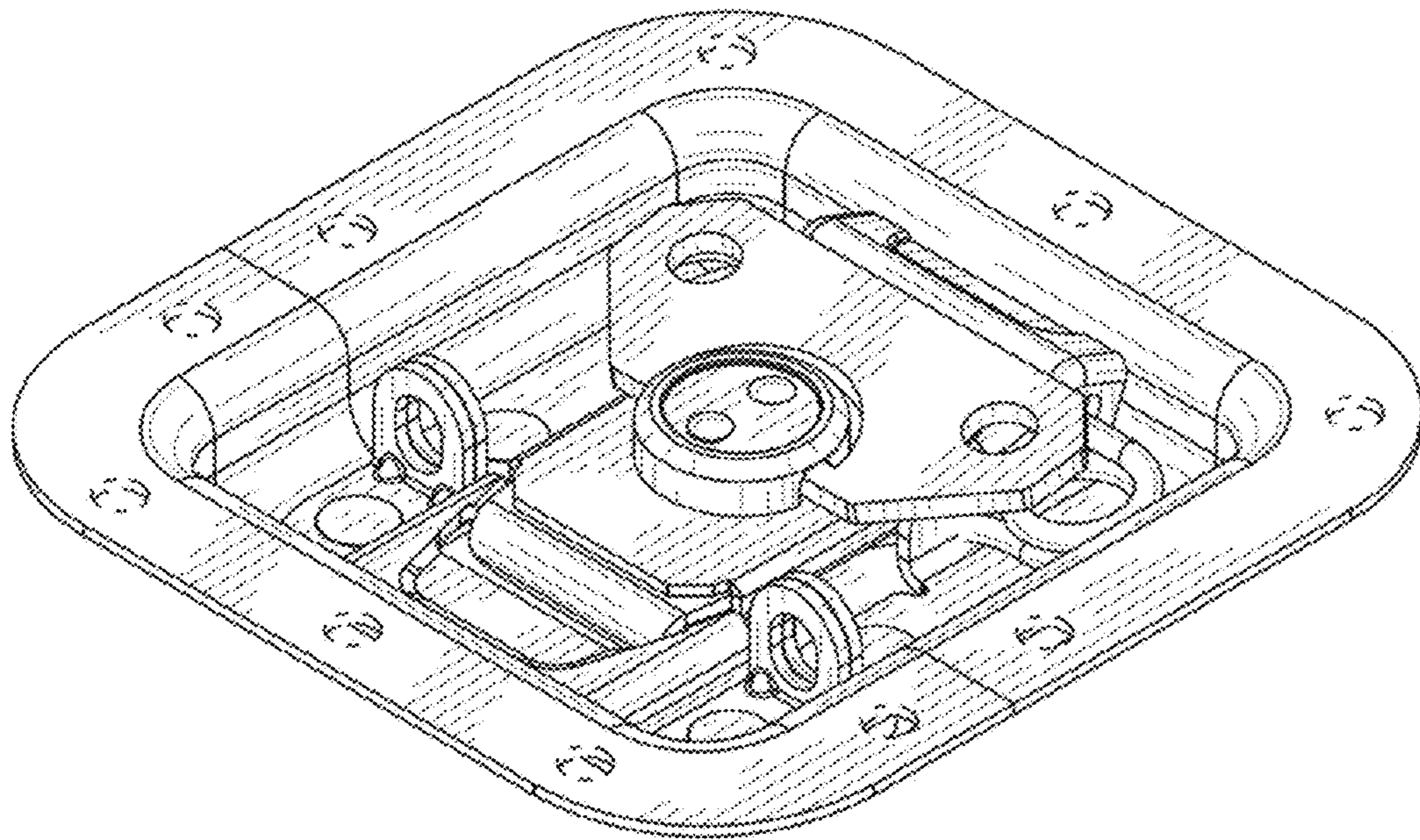


FIG. 9

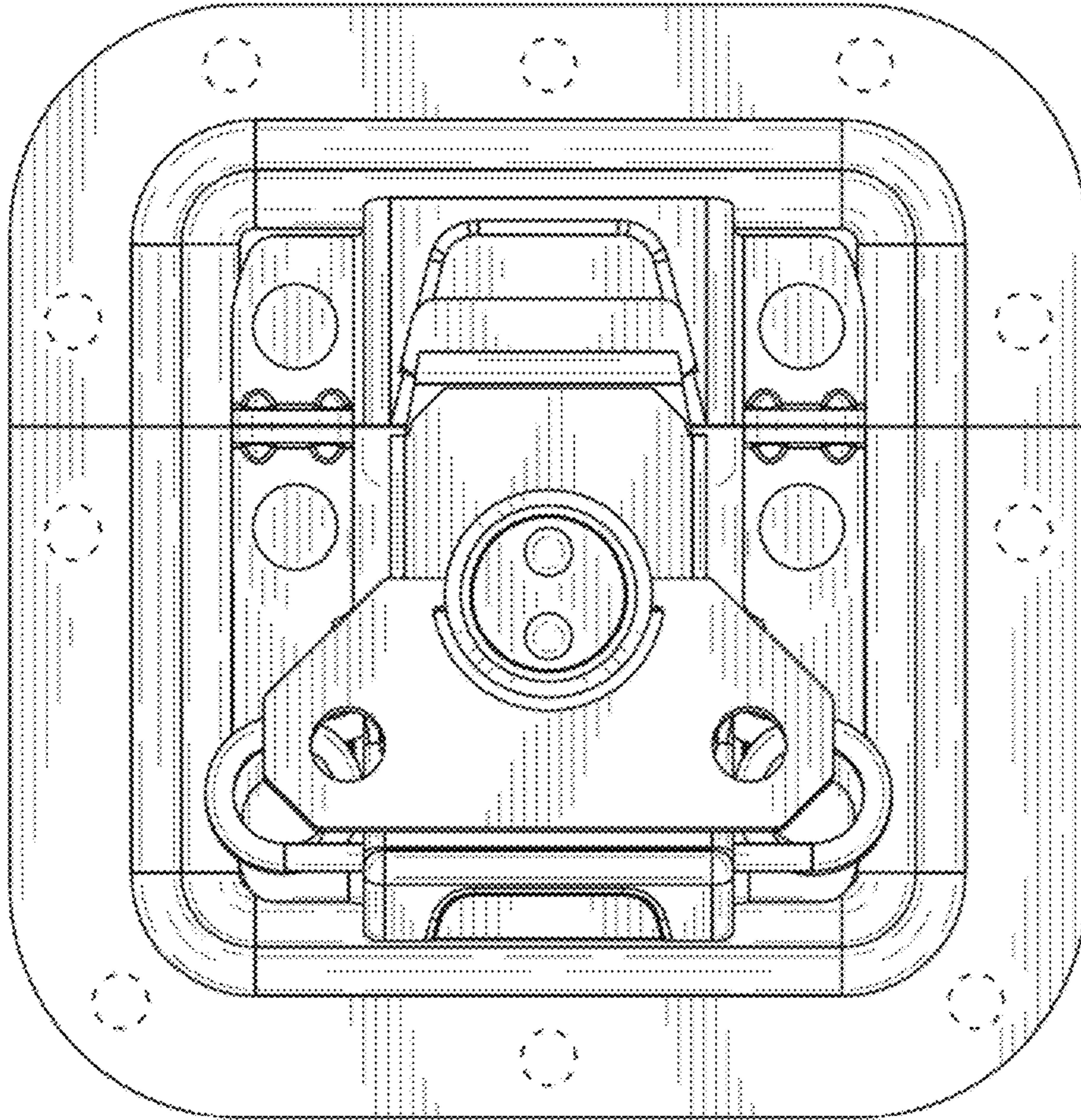


FIG. 10

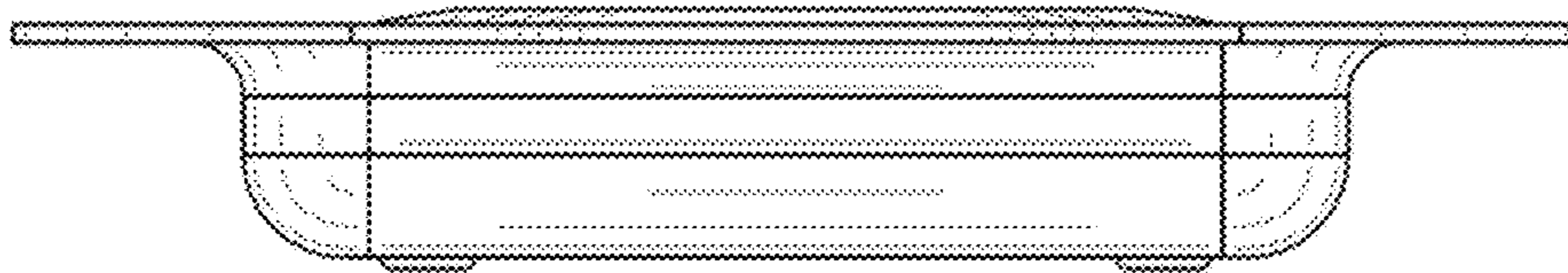


FIG. 11

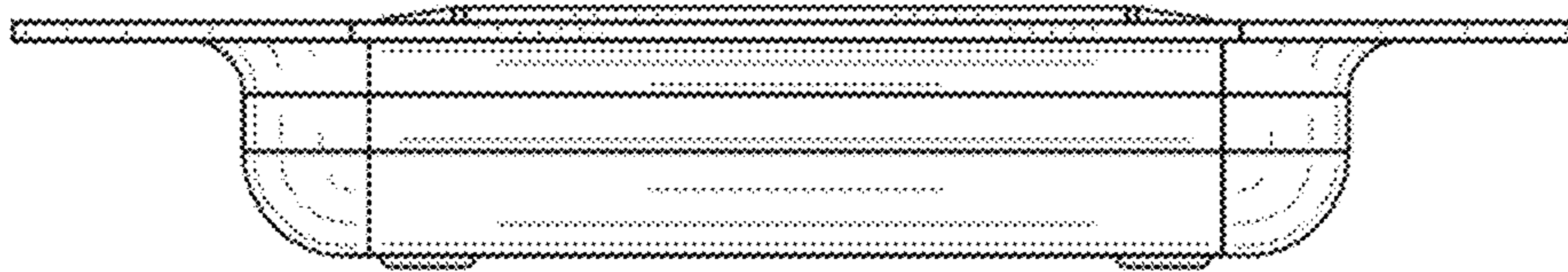


FIG. 12

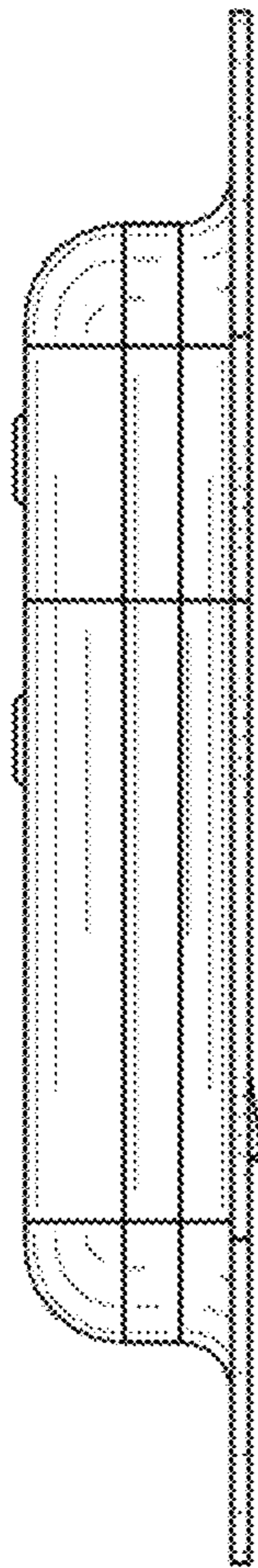


FIG. 13

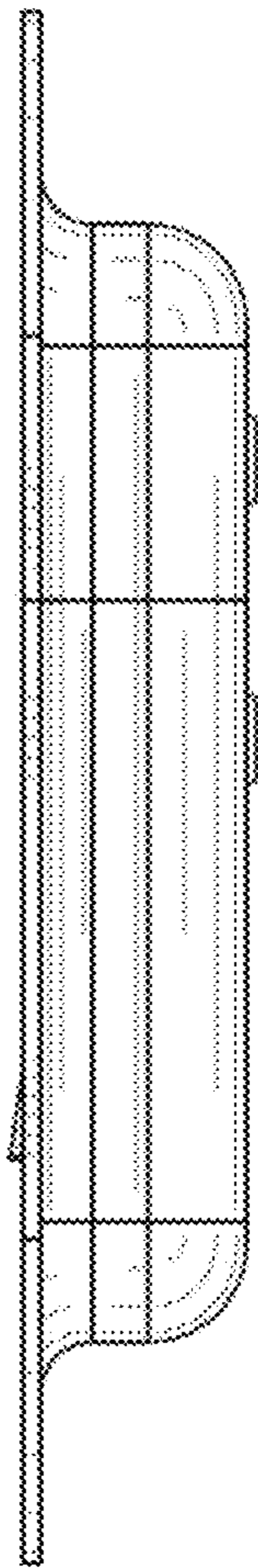


FIG. 14