



US00D768463S

(12) **United States Design Patent**
Kraus et al.

(10) **Patent No.:** **US D768,463 S**
(45) **Date of Patent:** **** Oct. 11, 2016**

- (54) **INTERIOR HOUSING FOR A DOOR LOCK**
- (71) Applicant: **Yale Security Inc.**, Monroe, NC (US)
- (72) Inventors: **Kevin Kraus**, Monument, CO (US);
Mark Caterino, Prospect, CT (US);
Tiffany Mayo, Prospect, CT (US);
Jason Williams, Atlanta, GA (US)
- (73) Assignee: **YALE SECURITY INC.**, Monroe, NC (US)
- (**) Term: **14 Years**
- (21) Appl. No.: **29/516,573**
- (22) Filed: **Feb. 4, 2015**
- (51) **LOC (10) Cl.** **08-07**
- (52) **U.S. Cl.**
USPC **D8/331; D8/330**
- (58) **Field of Classification Search**
USPC D8/330, 331, 334, 300, 301, 350;
70/14, 20-22, 57, 57.1, 284-286, 314,
70/DIG. 44, 266, 277, 271
CPC E05B 9/00; E05B 9/02; E05B 2009/006;
E05B 49/00
See application file for complete search history.

7,091,429 B2 * 8/2006 Case E05B 15/02
200/314
7,984,631 B2 * 7/2011 Case E05B 15/02
70/278.1
D737,657 S * 9/2015 Nadgouda D8/331
D738,186 S * 9/2015 Nadgouda D8/331

OTHER PUBLICATIONS

Kwikset Corporation; "Kevo Installation and User Guide," 2014, 4 Pages.
USPTO; Design U.S. Appl. No. 29/449,541, filed Mar. 15, 2013.

* cited by examiner

Primary Examiner — Prabhakar Deshmukh
(74) *Attorney, Agent, or Firm* — Steven B. Phillips;
Moore & Van Allen PLLC

(57) **CLAIM**
We claim the ornamental design for an interior housing of a door lock, as shown and described.

DESCRIPTION

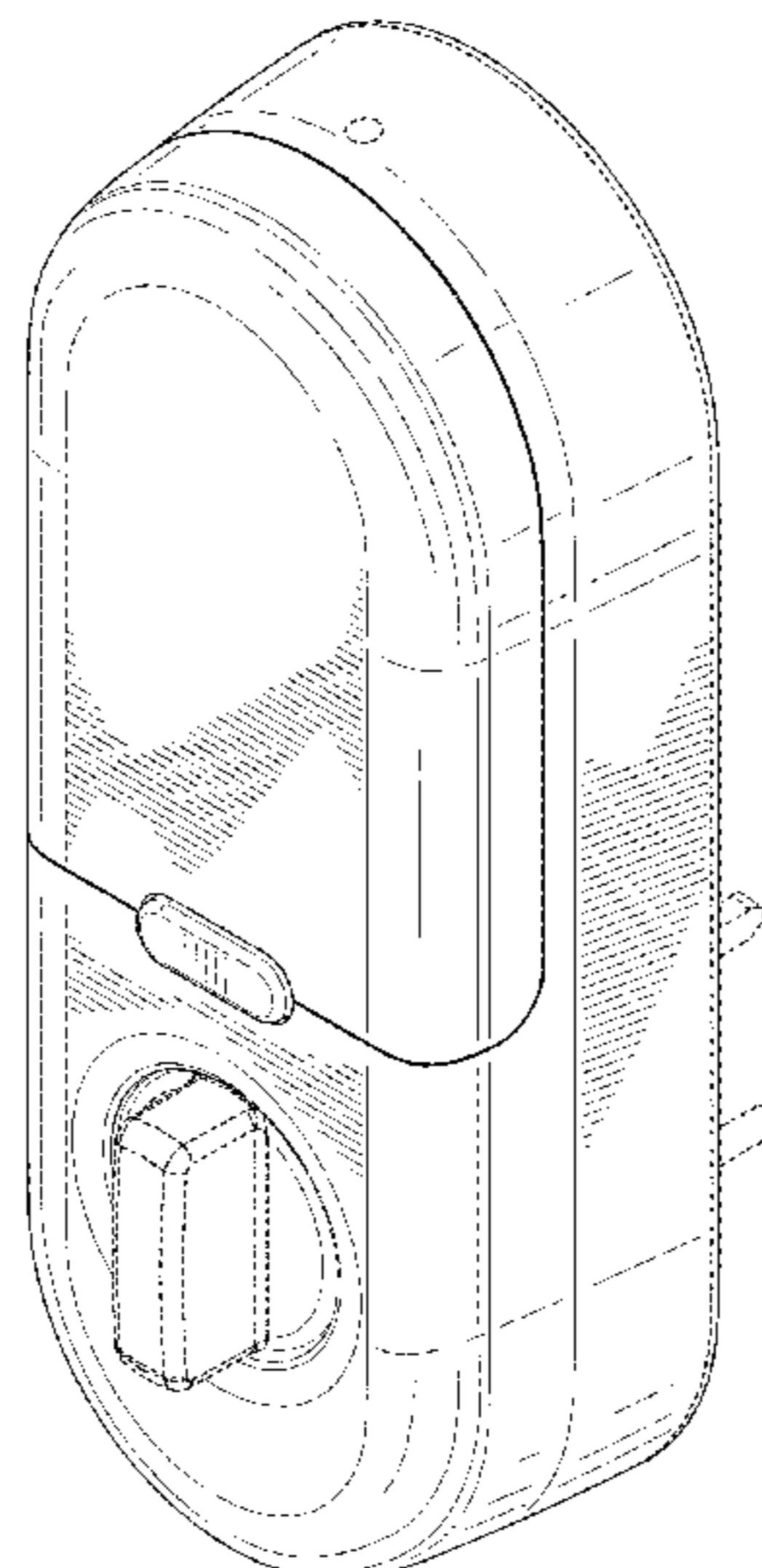
FIG. 1 is a perspective view showing an embodiment of our design for an interior housing of a door lock.
FIG. 2 is a front view of the embodiment of our design shown in FIG. 1.
FIG. 3 is a back view of the embodiment of our design shown in FIG. 1.
FIG. 4 is a side view of the embodiment of our design shown in FIG. 1.
FIG. 5 is another side view of the embodiment of our design shown in FIG. 1.
FIG. 6 is a top view of the embodiment of our design as shown in FIG. 1; and,
FIG. 7 is a bottom view of the embodiment of our design as shown in FIG. 1.
The broken lines in the figures are directed to unclaimed features. The broken lines form no part of the claimed design.

(56) **References Cited**

U.S. PATENT DOCUMENTS

- 3,041,720 A * 7/1962 Pantas E05B 15/02
428/542.2
- D271,374 S 11/1983 Butts
- D318,214 S * 7/1991 Fleming D8/301
- 5,433,333 A * 7/1995 Martell E04H 12/003
222/243
- D365,976 S * 1/1996 Chiu D8/301
- D423,911 S * 5/2000 Dagley D8/352
- D437,771 S * 2/2001 Barnes D8/352
- D494,841 S * 8/2004 Moon D8/352
- D513,469 S * 1/2006 Gao D8/350

1 Claim, 6 Drawing Sheets



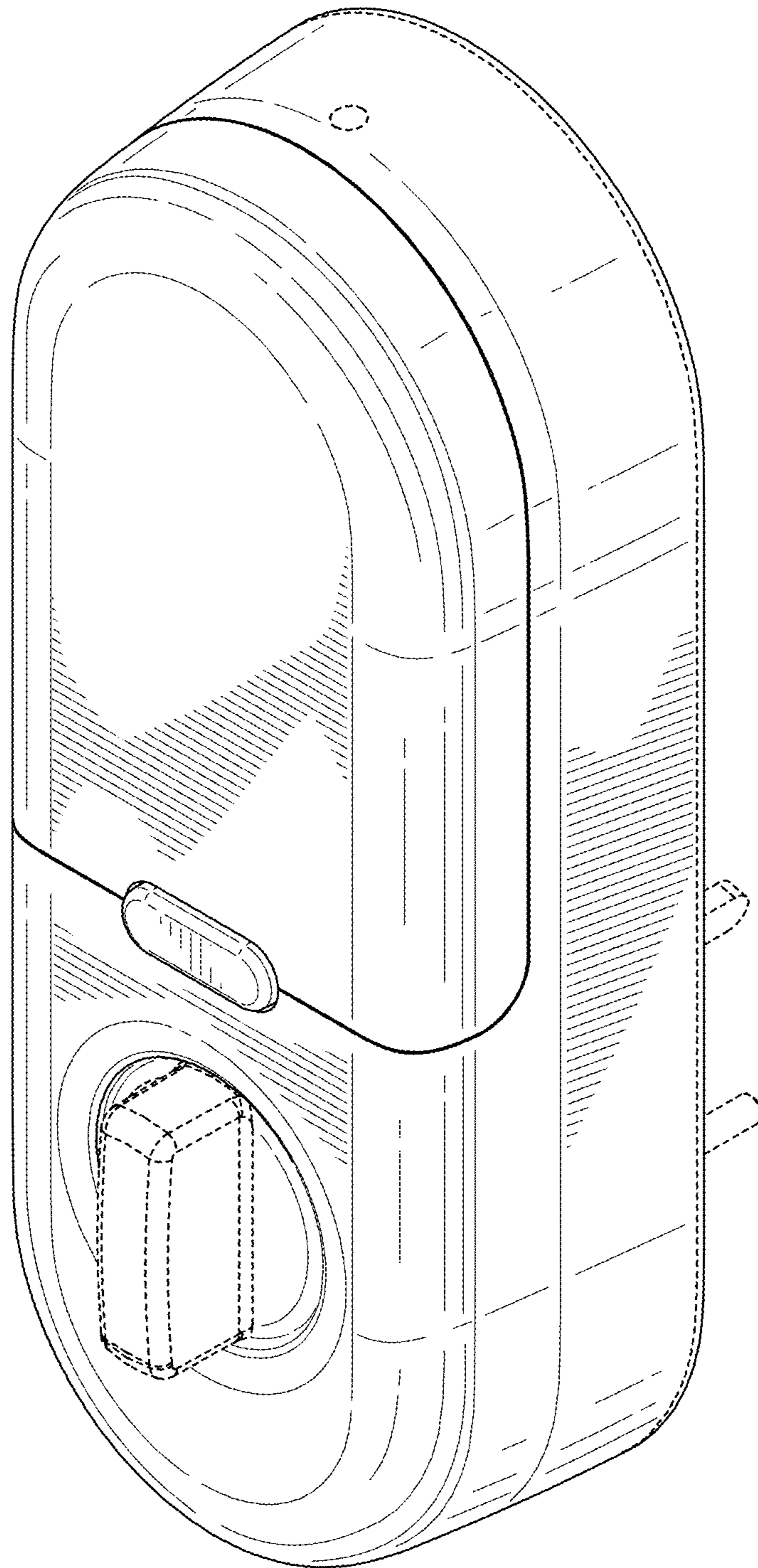


FIG. 1

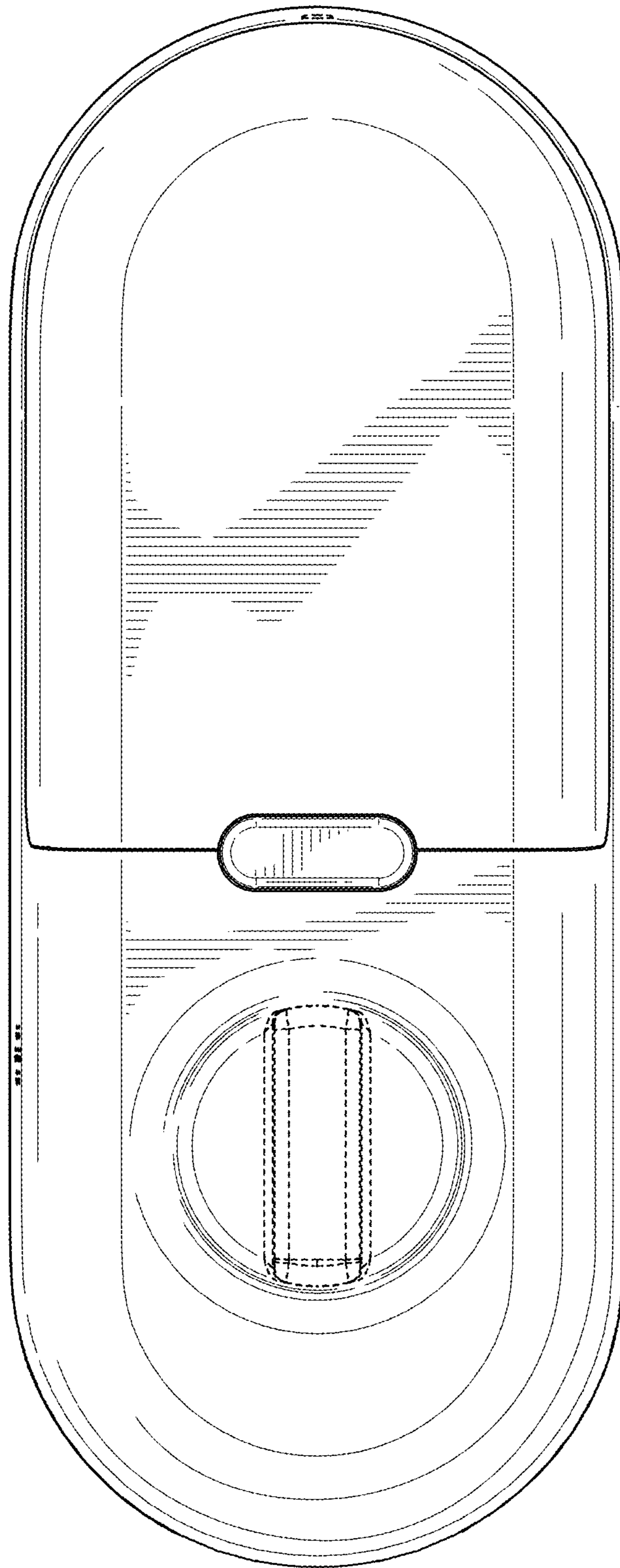


FIG. 2

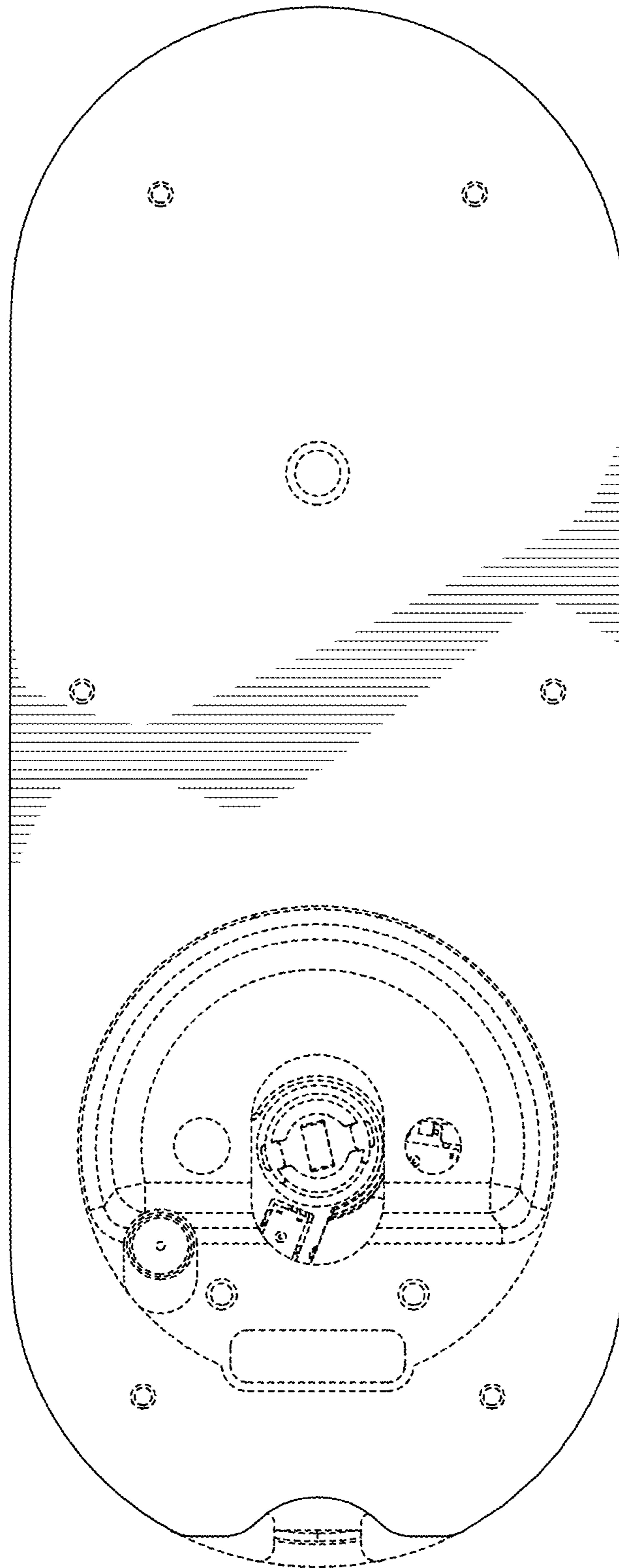


FIG. 3

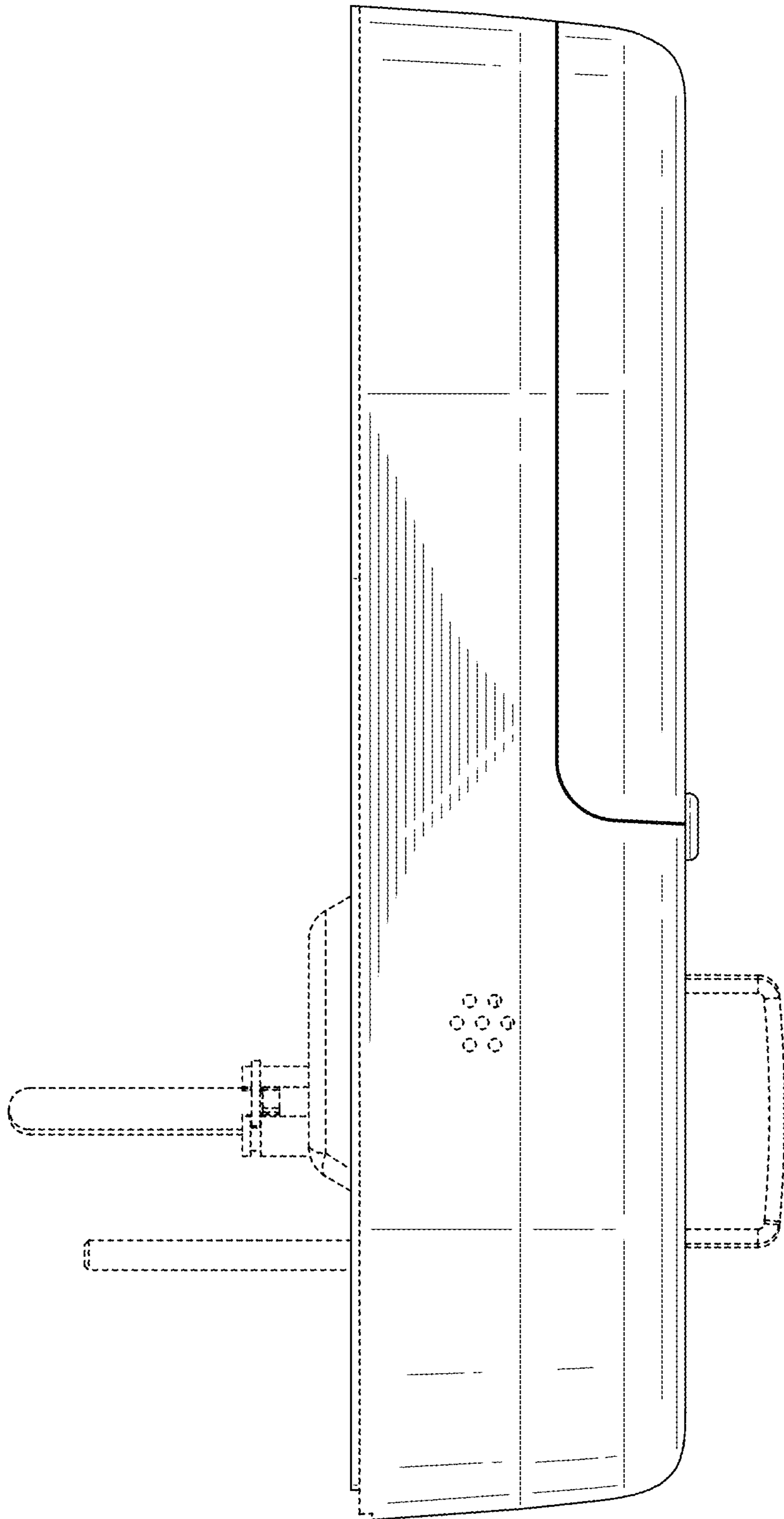


FIG. 4

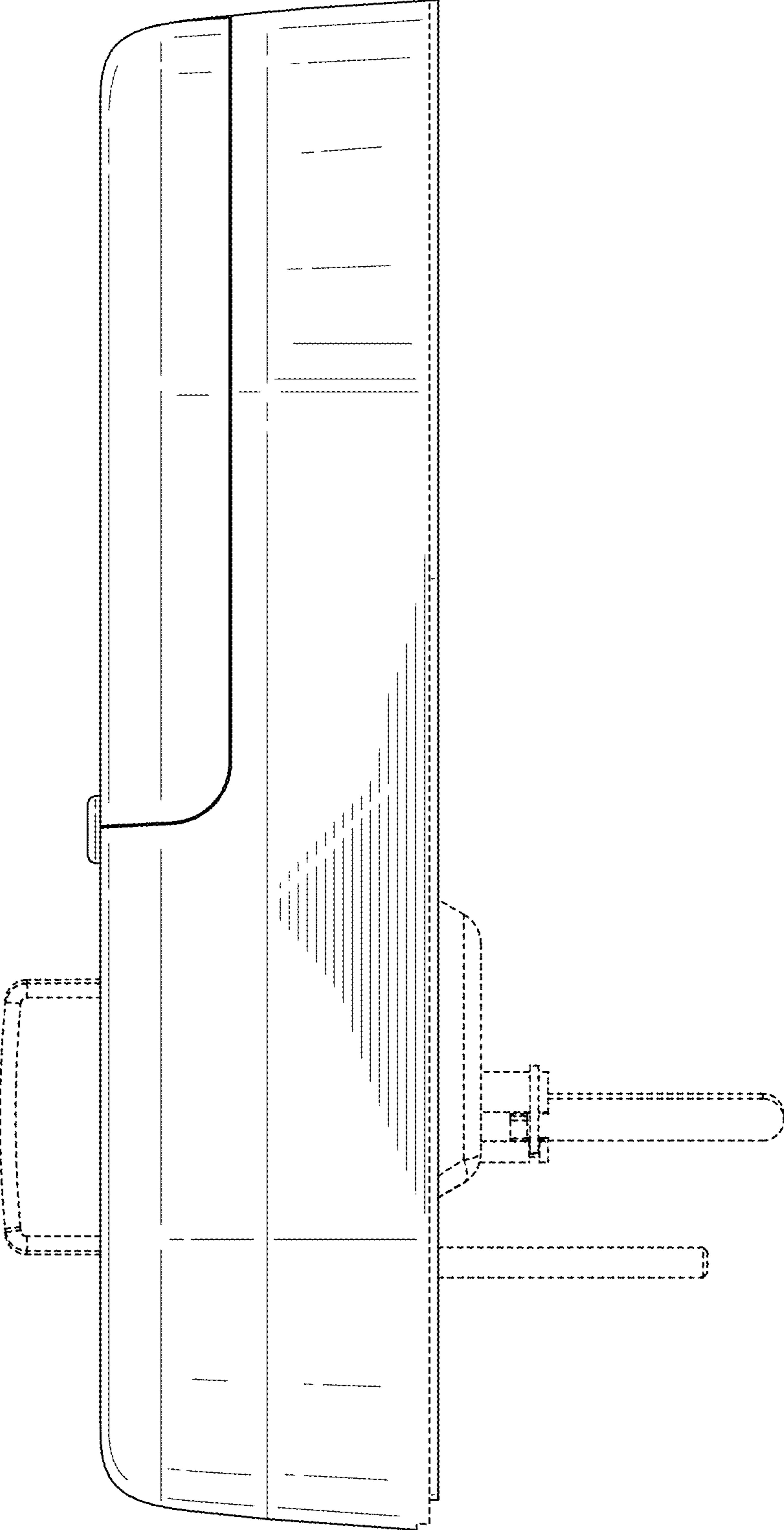


FIG. 5

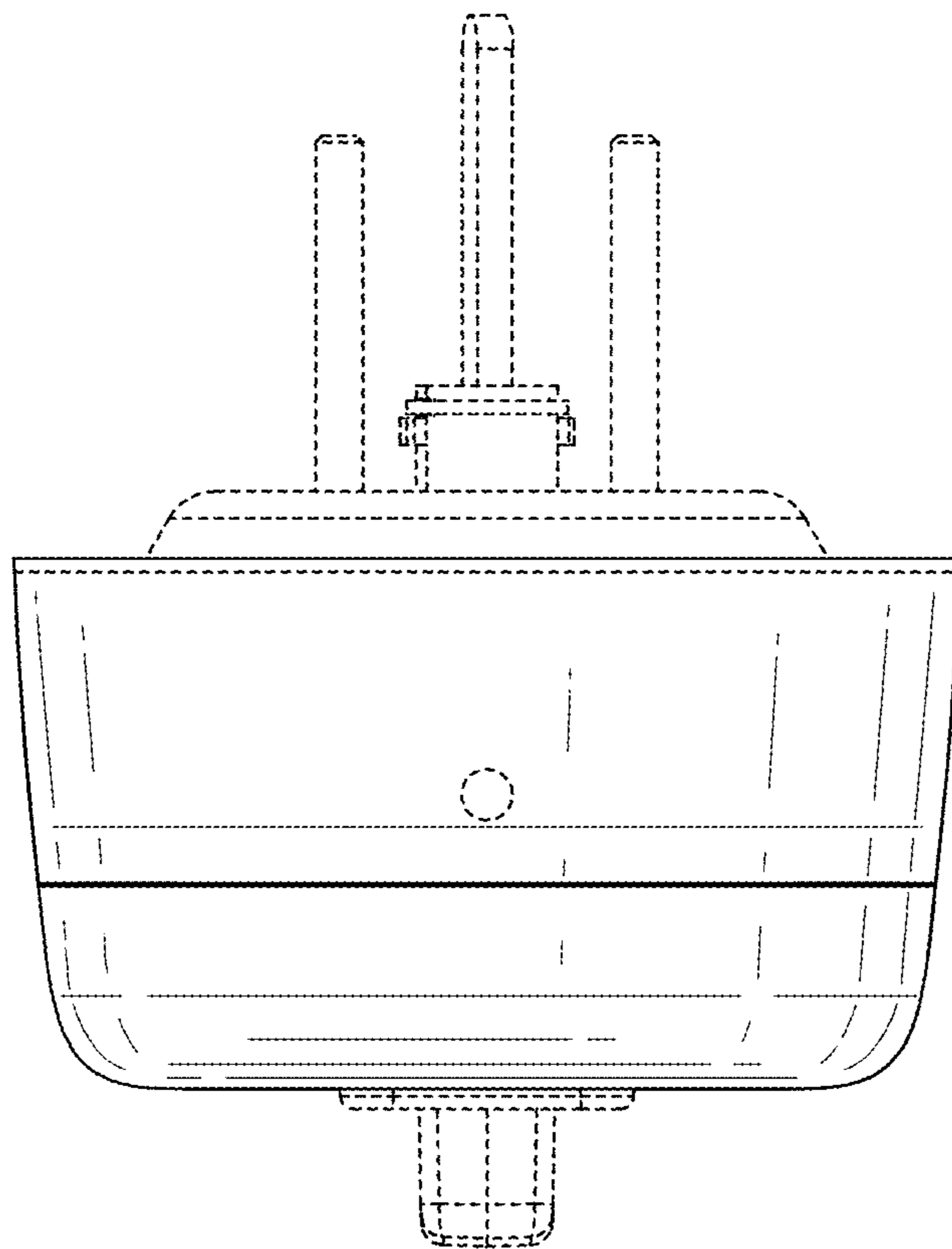


FIG. 6

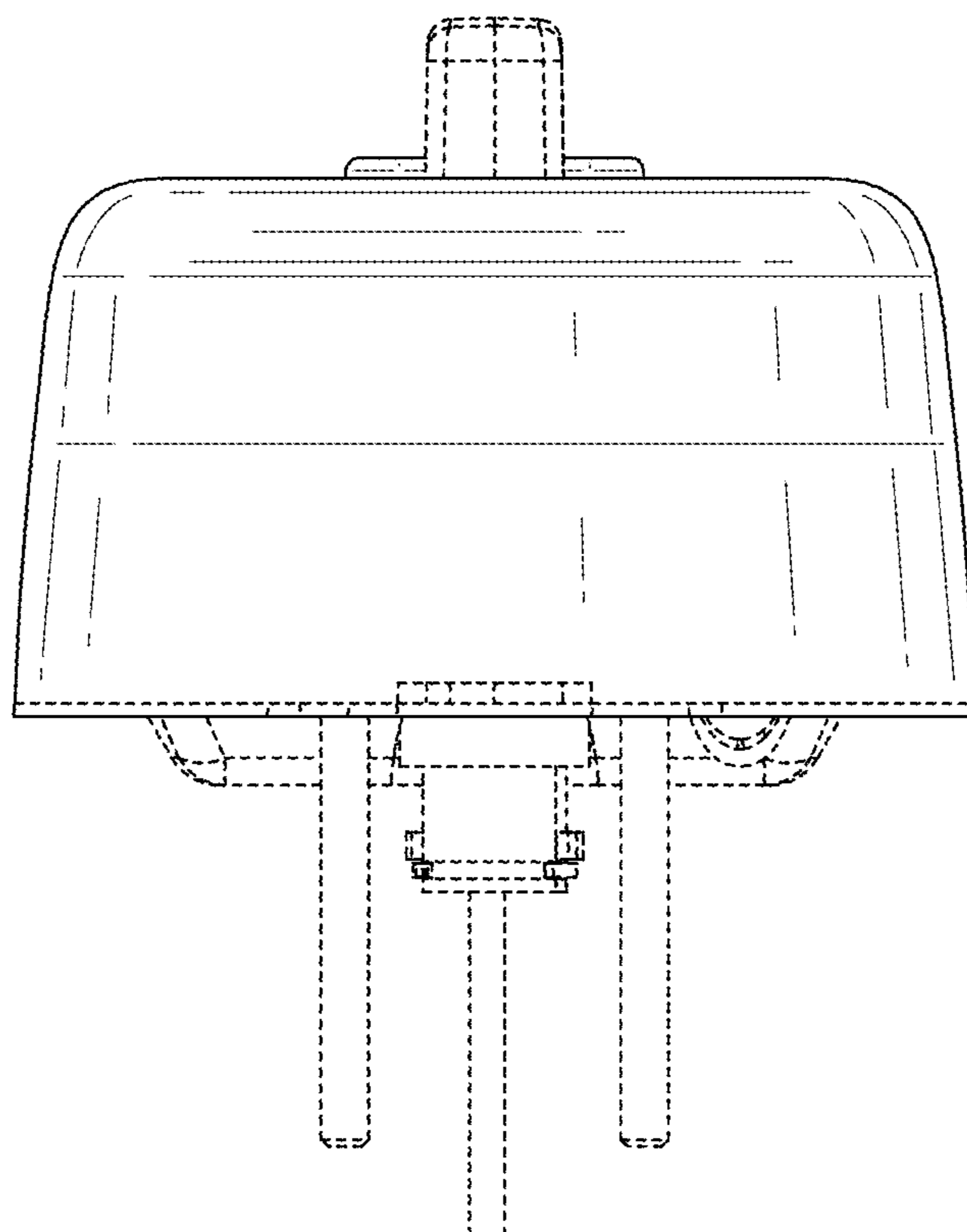


FIG. 7