

US00D768462S

(12) **United States Design Patent**
Euchner

(10) **Patent No.:** **US D768,462 S**

(45) **Date of Patent:** **** Oct. 11, 2016**

(54) **COMPACT LOCKING DEVICE**

(71) Applicant: **Euchner GmbH + Co. KG**,
Leinfelden-Echterdingen (DE)

(72) Inventor: **Stefan Euchner**, Stuttgart (DE)

(73) Assignee: **Euchner GmbH & Co. KG**,
Leinfelden-Echterdingen (DE)

(**) Term: **15 Years**

(21) Appl. No.: **29/537,556**

(22) Filed: **Aug. 27, 2015**

(30) **Foreign Application Priority Data**

Jul. 1, 2015 (EM) 002729111

(51) **LOC (10) Cl.** **08-07**

(52) **U.S. Cl.**
USPC **D8/330; D8/343**

(58) **Field of Classification Search**

USPC D8/330, 331, 336, 339, 343, 349, 350,
D8/354, 382, 400, 300, 301, 302; 70/14,
70/51, 52, 57, 57.1, 67, 69, 78, 85, 86, 88,
70/141, 262, 263, 431, 218, 221, 203;
292/32, 358, 359, DIG. 68, DIG. 30,
292/137, 106, 108, 336.3

CPC E05B 3/00; E05B 9/00; E05B 2009/004;
E05B 47/00; E05B 55/00; E05B 15/00;
E05C 7/00; E05C 19/08

See application file for complete search history.

(56) **References Cited**

U.S. PATENT DOCUMENTS

4,468,940 A * 9/1984 Davis E05B 19/0005
70/159

4,745,784 A * 5/1988 Gartner E05B 47/0688
70/133

D302,935 S * 8/1989 Kautt D8/330
4,887,445 A * 12/1989 Beatty G07C 9/0069
70/214
D306,395 S * 3/1990 Von Bergen D8/331
D336,418 S * 6/1993 Carter D10/104.1
D360,124 S * 7/1995 Gartner D8/330
D368,540 S * 4/1996 Santarsiero D26/43
7,647,797 B1 * 1/2010 Viso Cabrera E05B 47/0012
292/144
8,403,376 B2 * 3/2013 Greiner E05B 47/0012
292/144
9,321,587 B2 * 4/2016 Jian B65D 88/52

* cited by examiner

Primary Examiner — Prabhakar Deshmukh

(74) *Attorney, Agent, or Firm* — Michael Soderman

(57) **CLAIM**

The ornamental design for a compact locking device, as shown and described.

DESCRIPTION

FIG. 1 is a top, front and right side perspective view of a compact locking device showing my new design;

FIG. 2 is a front elevational view thereof;

FIG. 3 is a rear elevational view thereof;

FIG. 4 is a left side elevational view thereof;

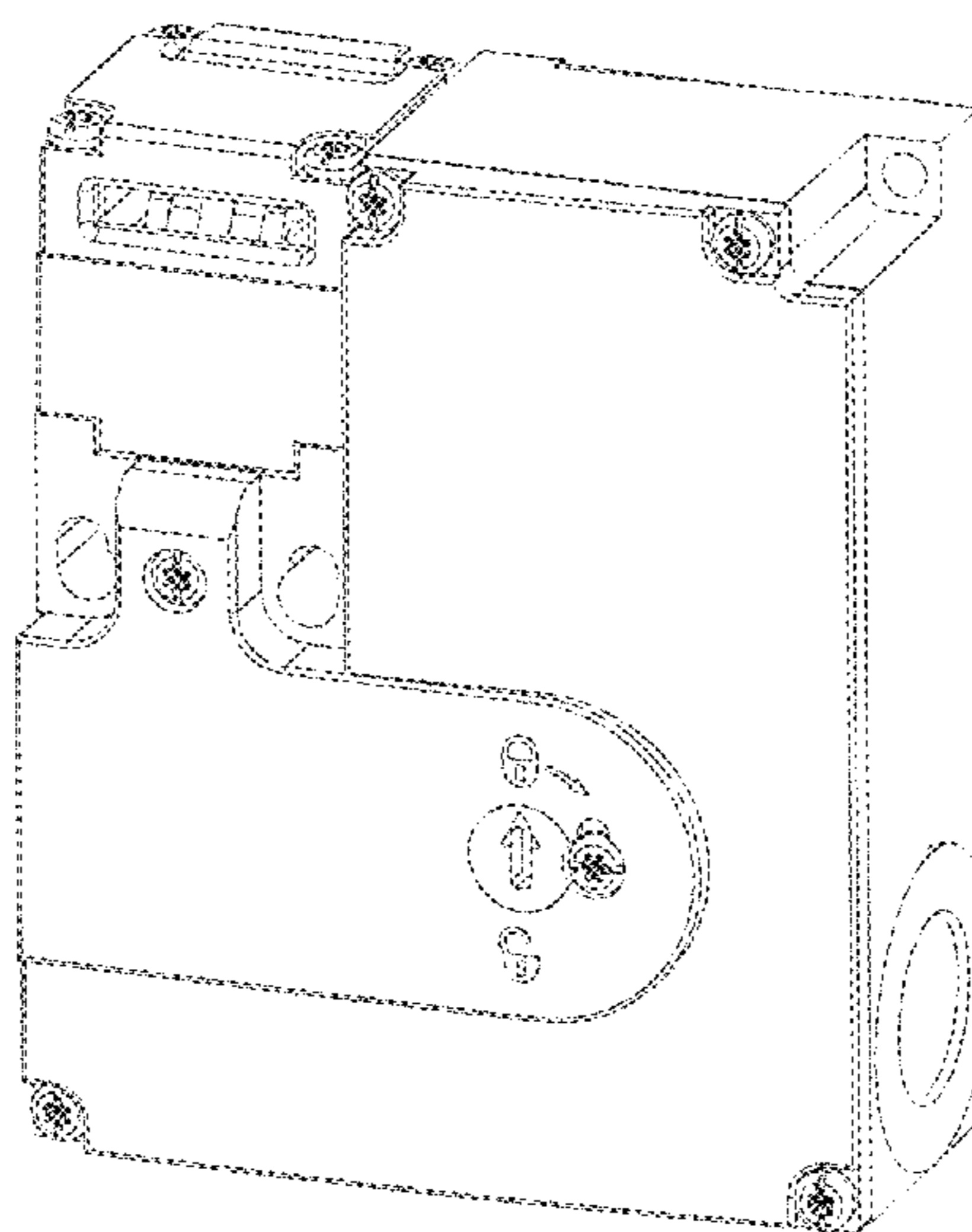
FIG. 5 is a right side elevational view thereof;

FIG. 6 is a top plan view thereof; and,

FIG. 7 is a bottom plan view thereof.

The broken lines illustrate unclaimed portions and form no part of the claimed design.

1 Claim, 7 Drawing Sheets



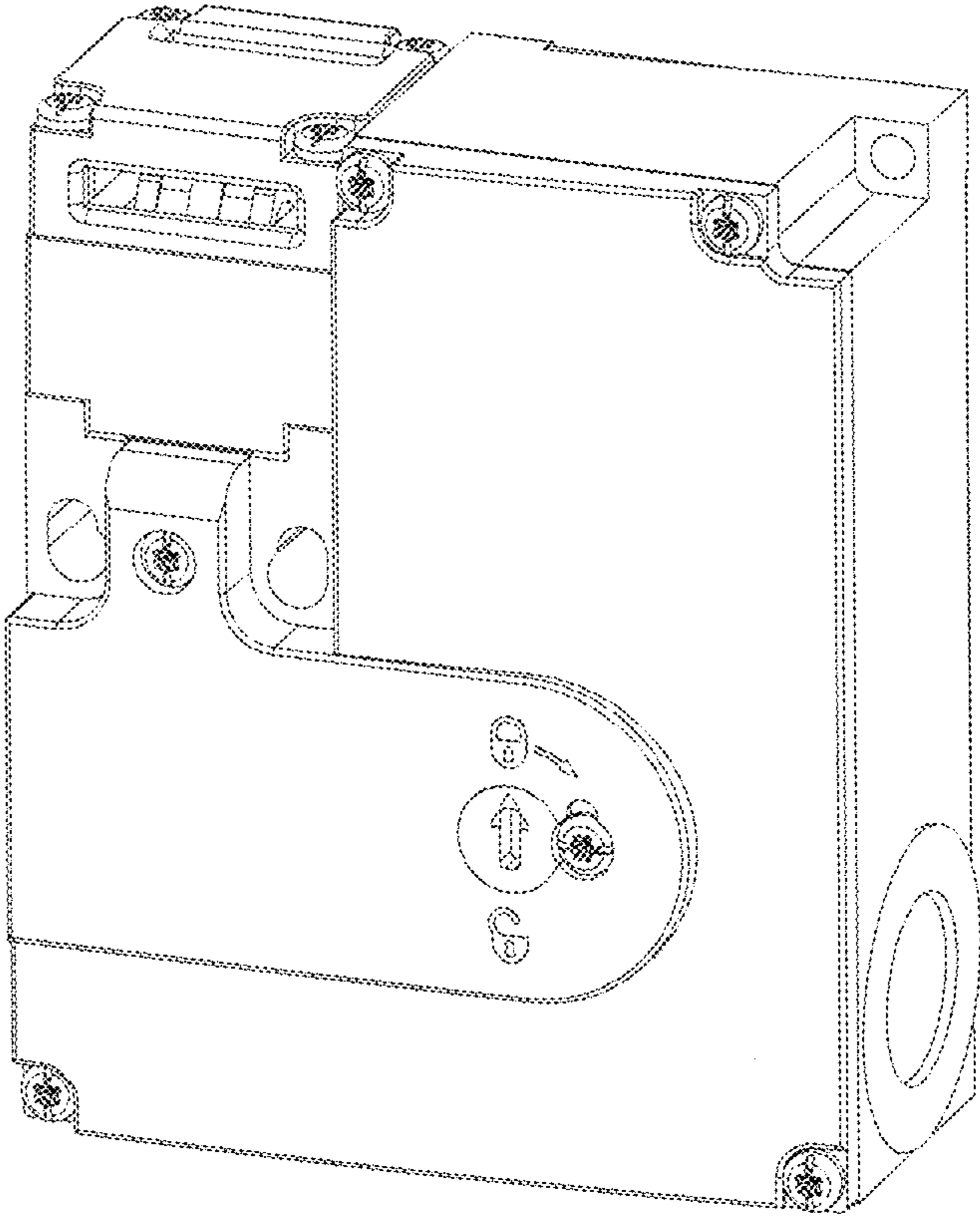


Fig. 1

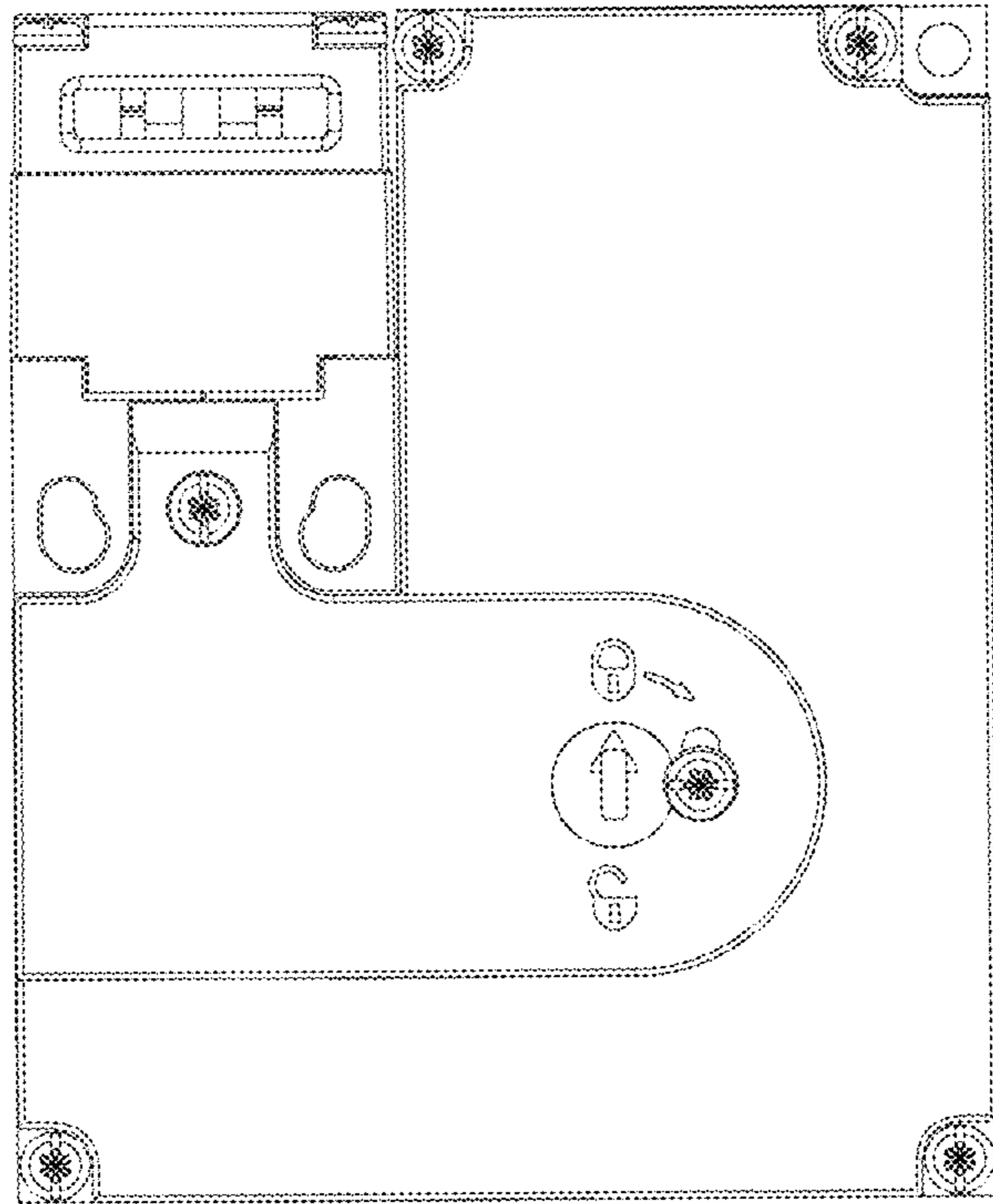


Fig. 2

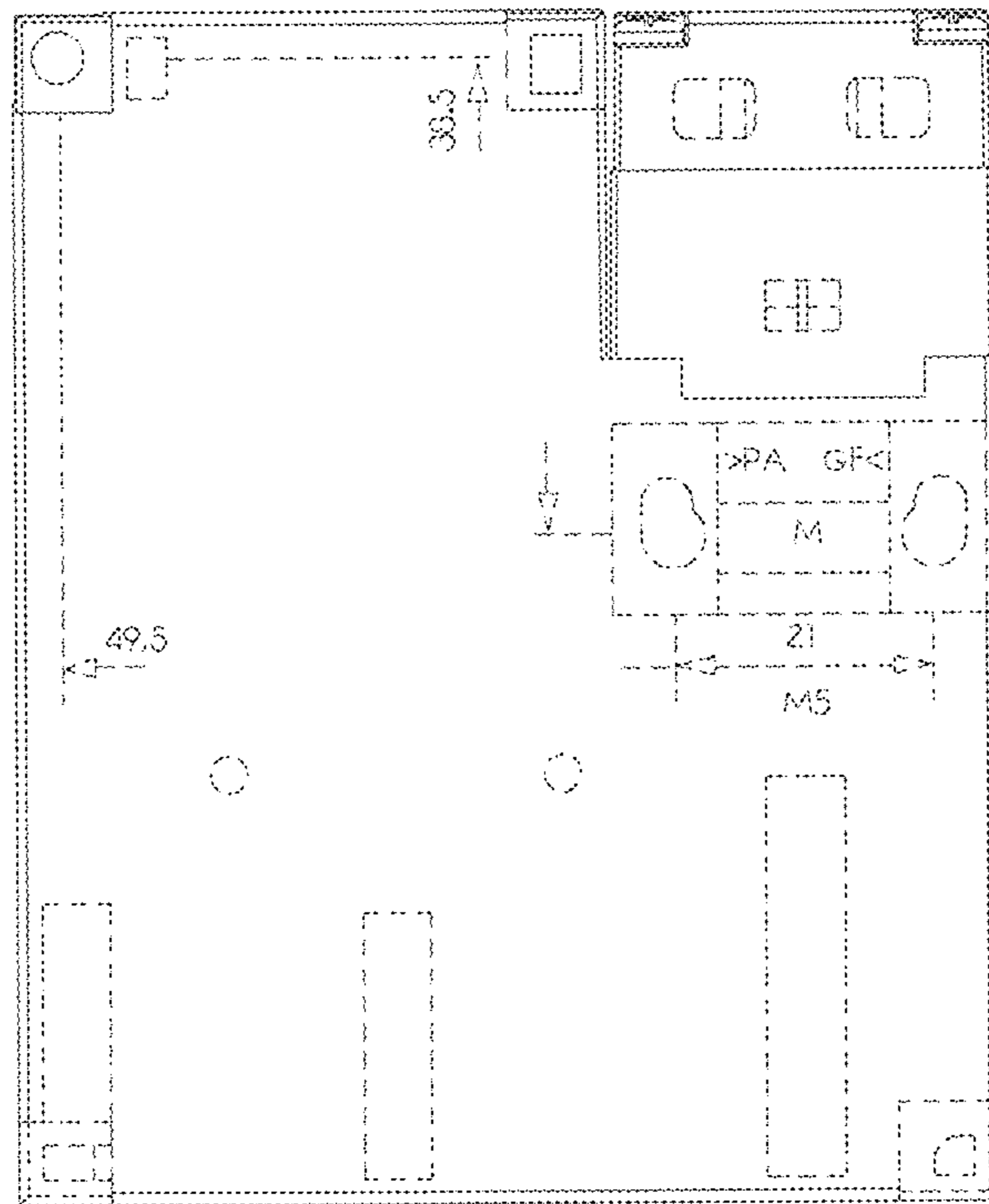


Fig. 3

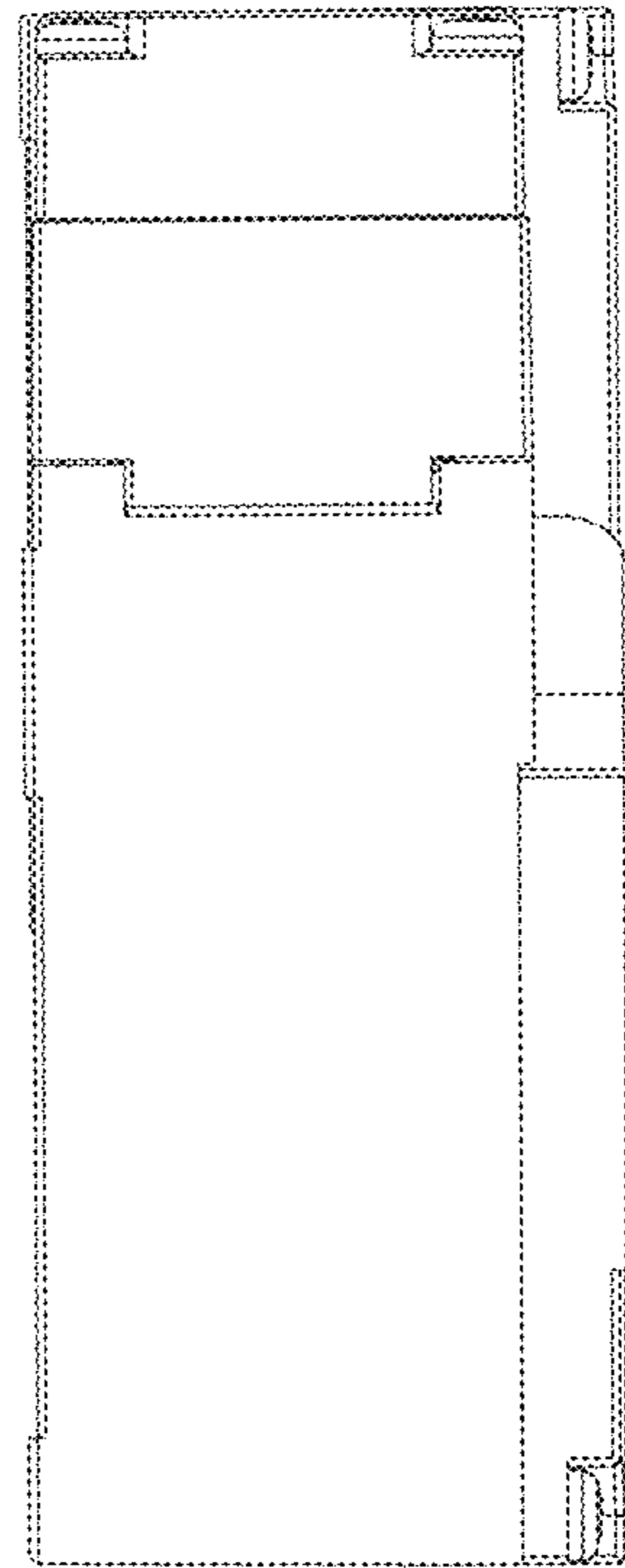


Fig. 4

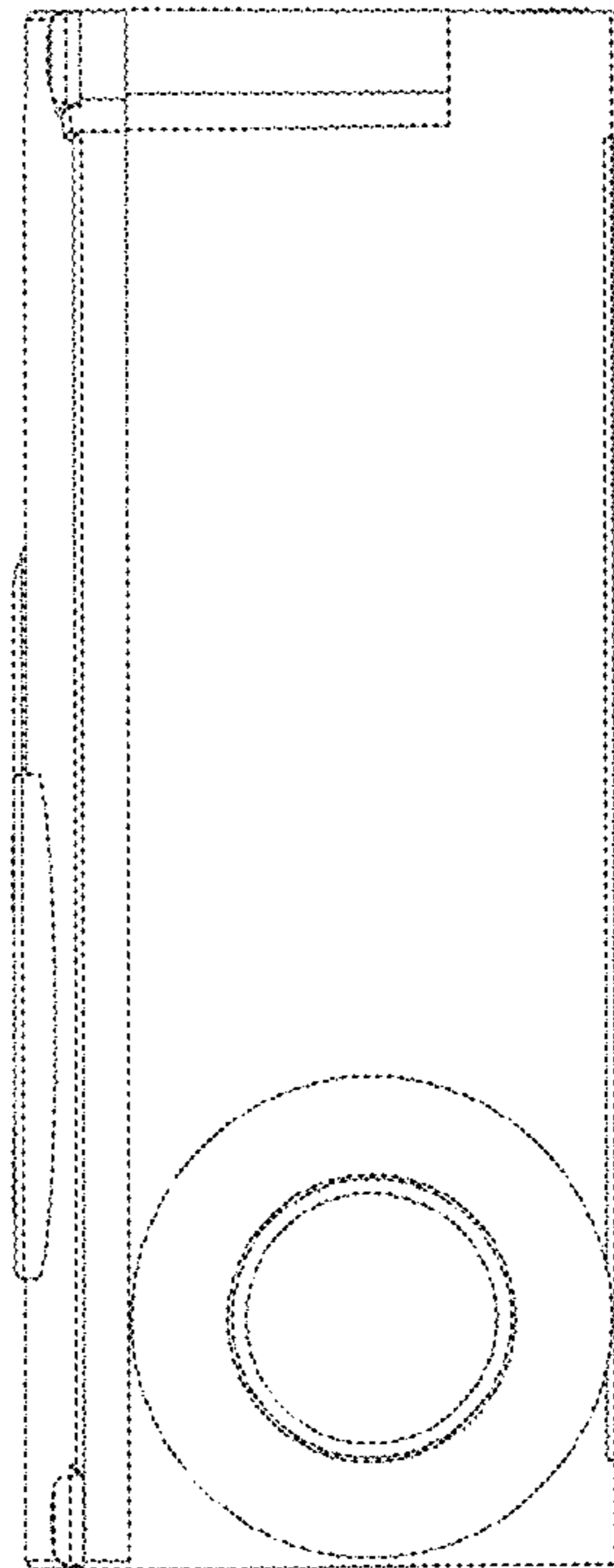


Fig. 5

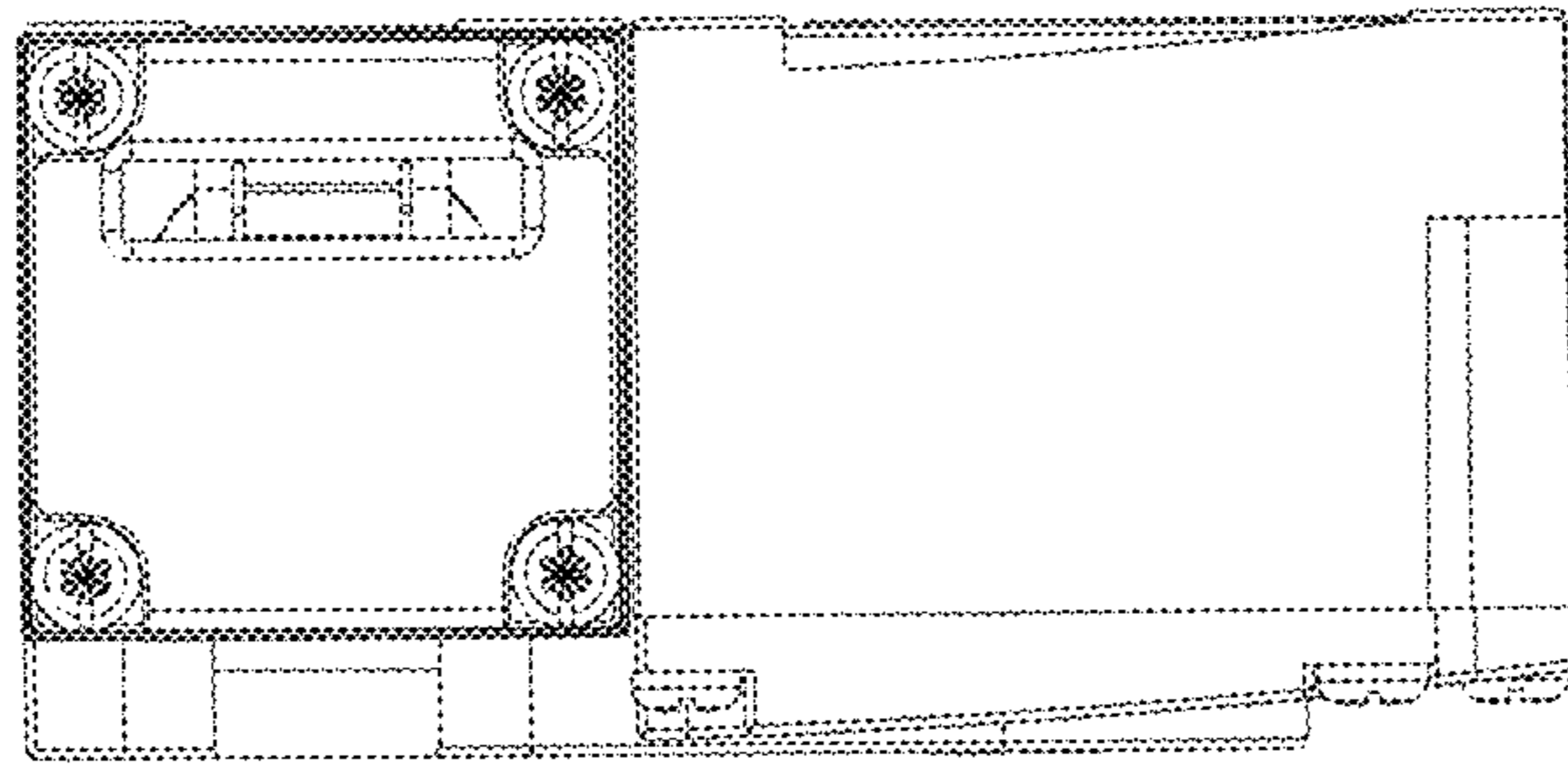


Fig. 6

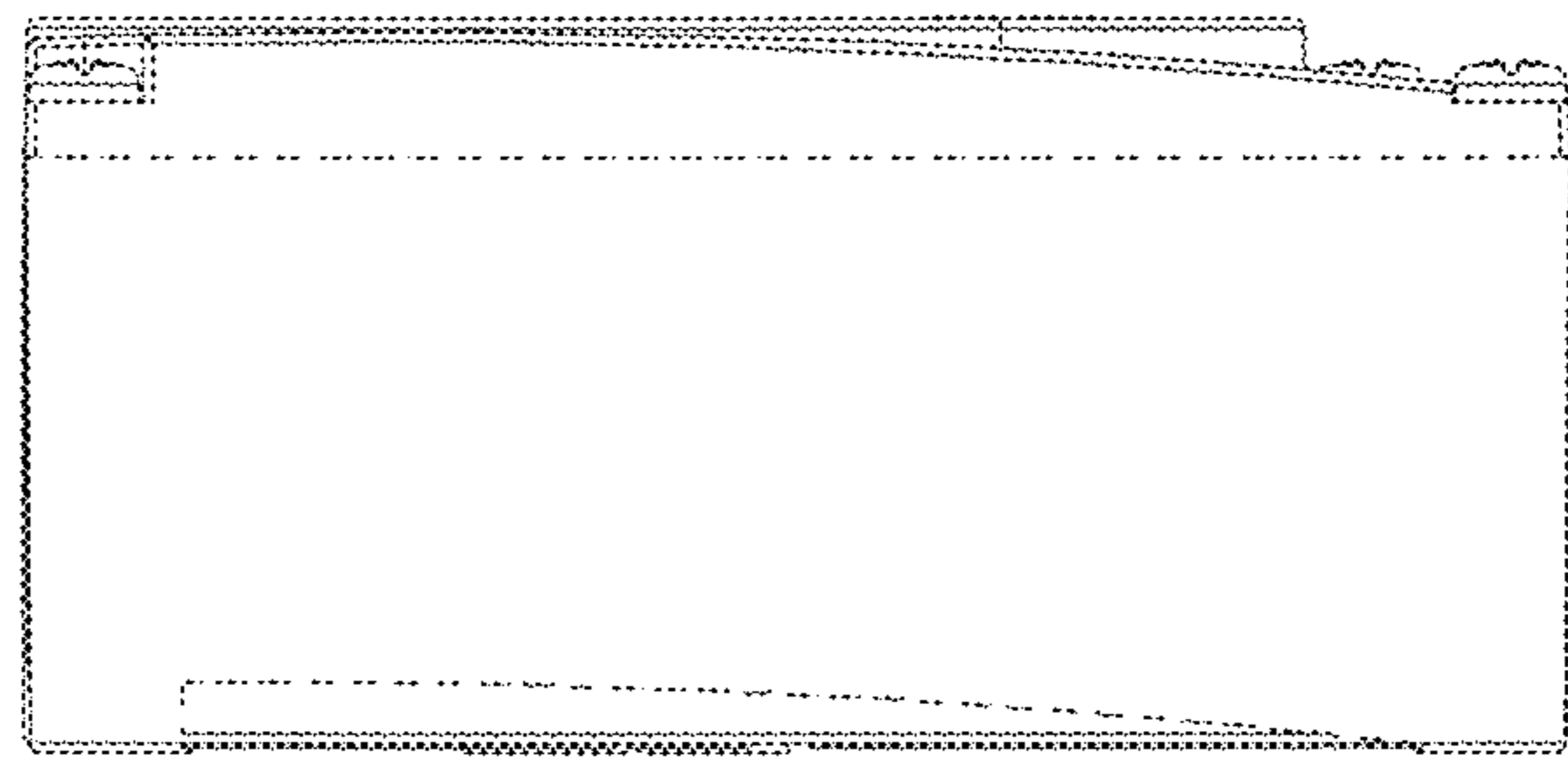


Fig. 7