



US00D768461S

(12) **United States Design Patent**
Mirick

(10) **Patent No.:** **US D768,461 S**

(45) **Date of Patent:** **** *Oct. 11, 2016**

(54) **HINGE BASE**

(71) Applicant: **S.P.E.P. Acquisition Corp.**, Long Beach, CA (US)

(72) Inventor: **Larry Mirick**, Manhattan Beach, CA (US)

(73) Assignee: **S.P.E.P. ACQUISITION CORP.**, Long Beach, CA (US)

(*) Notice: This patent is subject to a terminal disclaimer.

(**) Term: **14 Years**

(21) Appl. No.: **29/482,446**

(22) Filed: **Feb. 18, 2014**

(51) **LOC (10) Cl.** **08-06**

(52) **U.S. Cl.**
USPC **D8/323**

(58) **Field of Classification Search**
USPC D8/356, 354, 349, 323, 327; 220/575; 206/521.15; 24/302, 16 R, 306, 17 R; 439/501; 381/374; D14/217, 205; 16/225, 250, 682, 309, 235, 275, 244, 16/379, 390, 430, 241, 238, 245, 236, 243, 16/242, 385, 331, 274; D23/303; 4/236, 4/240

See application file for complete search history.

(56) **References Cited**

U.S. PATENT DOCUMENTS

1,009,108 A * 11/1911 Soss 16/366
D111,157 S * 9/1938 Schrader D8/329

2,566,872 A * 9/1951 Bernhardt 16/250
3,972,090 A * 8/1976 Holmes 16/321
4,881,298 A * 11/1989 Turnbull 16/266
D373,902 S * 9/1996 Wang D3/318
D520,337 S * 5/2006 Alvarado D8/323
D616,286 S * 5/2010 Foresman D8/354
D633,373 S * 3/2011 Grenade D8/381
D707,099 S * 6/2014 Nicholson D8/323

* cited by examiner

Primary Examiner — Cynthia Underwood

(74) *Attorney, Agent, or Firm* — Karish & Bjorgum, PC

(57) **CLAIM**

The ornamental design for hinge base, as shown and described.

DESCRIPTION

FIG. 1 is a front right isometric view of the hinge base of the invention.

FIG. 2 is a top view of the hinge base of FIG. 1.

FIG. 3 is a left side view of the hinge base of FIG. 1.

FIG. 4 is a bottom view of the hinge base of FIG. 1.

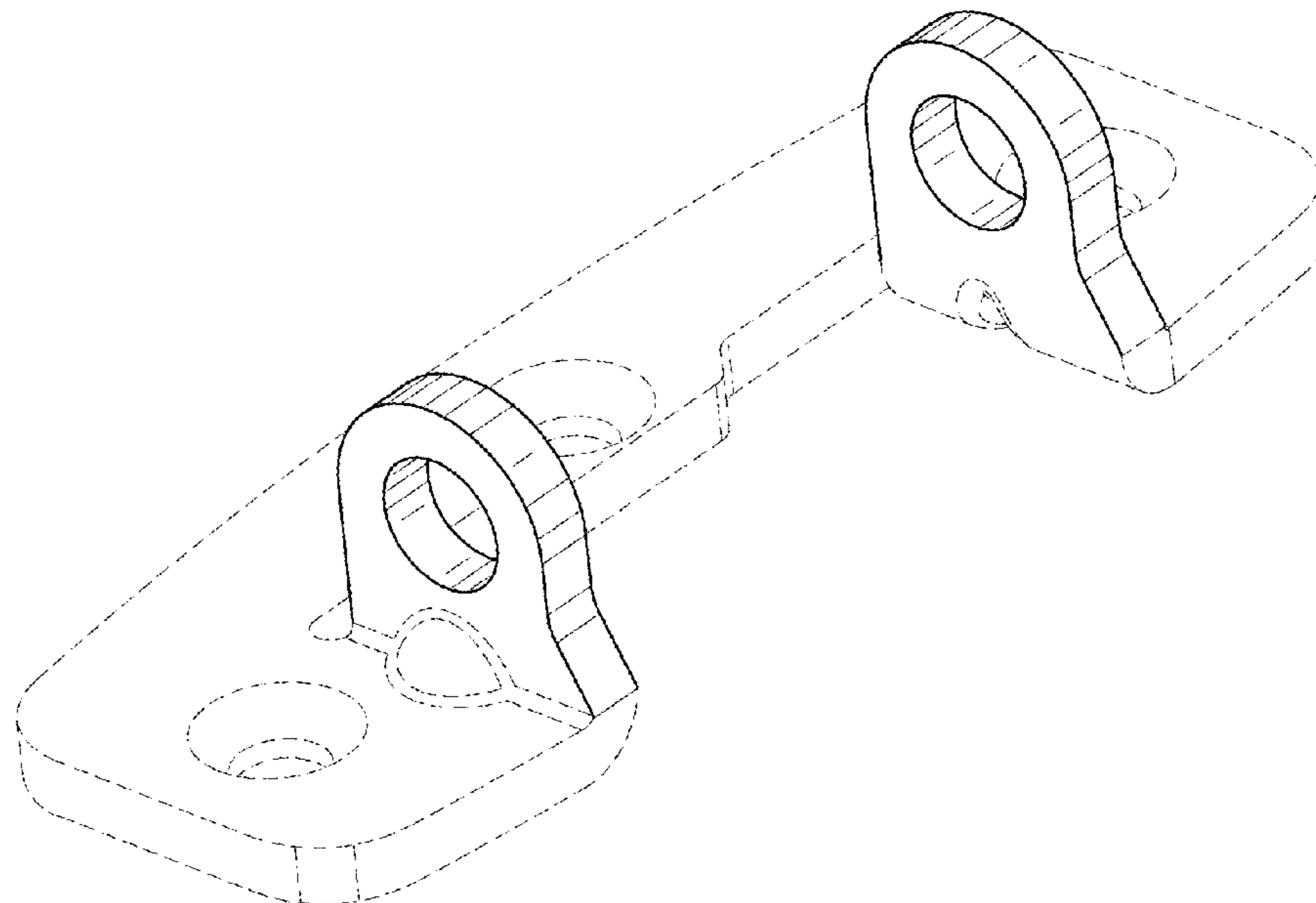
FIG. 5 is a rear view of the hinge base of FIG. 1; and,

FIG. 6 is a rear view of the hinge base of FIG. 1.

The right side view of the hinge base is a mirror image of FIG. 3.

The features shown in dashed lines form no part of the design and are not claimed.

1 Claim, 4 Drawing Sheets



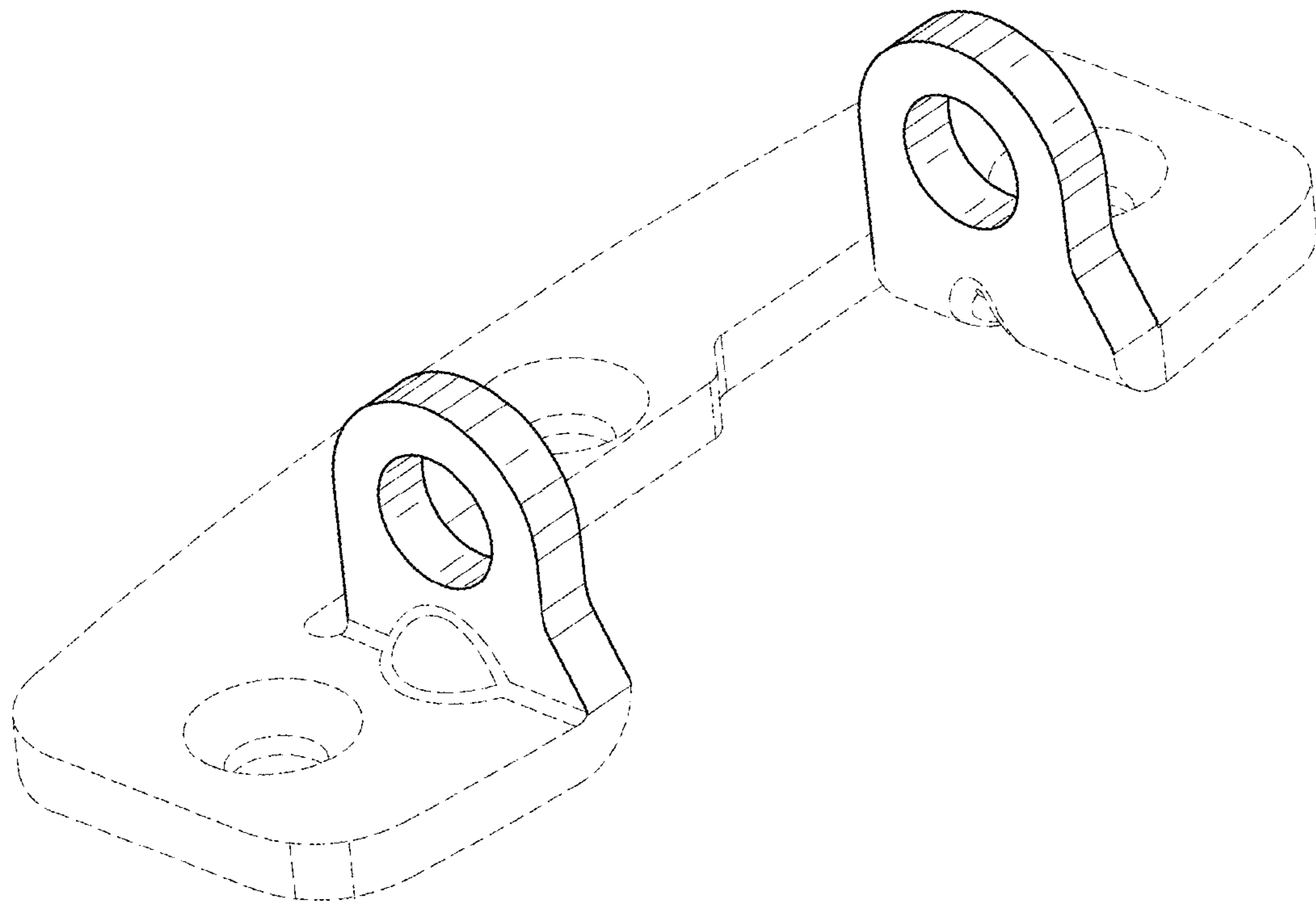


FIG. 1

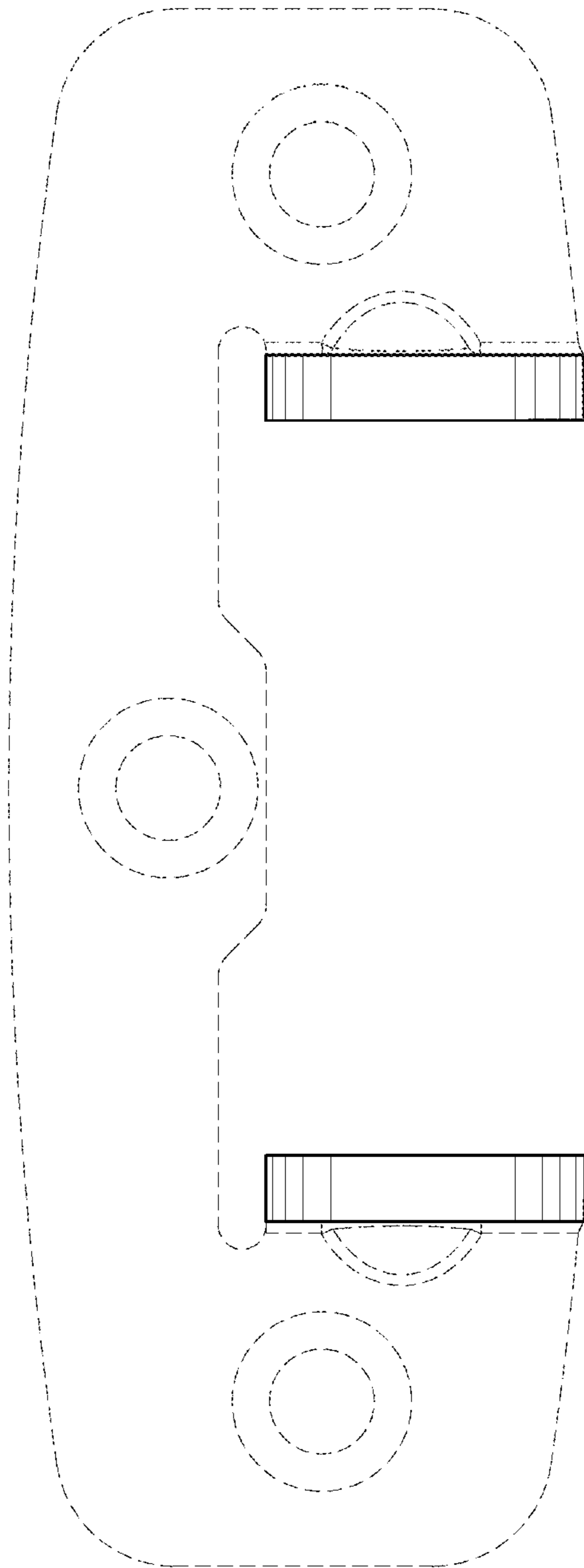


FIG. 2

FIG. 3

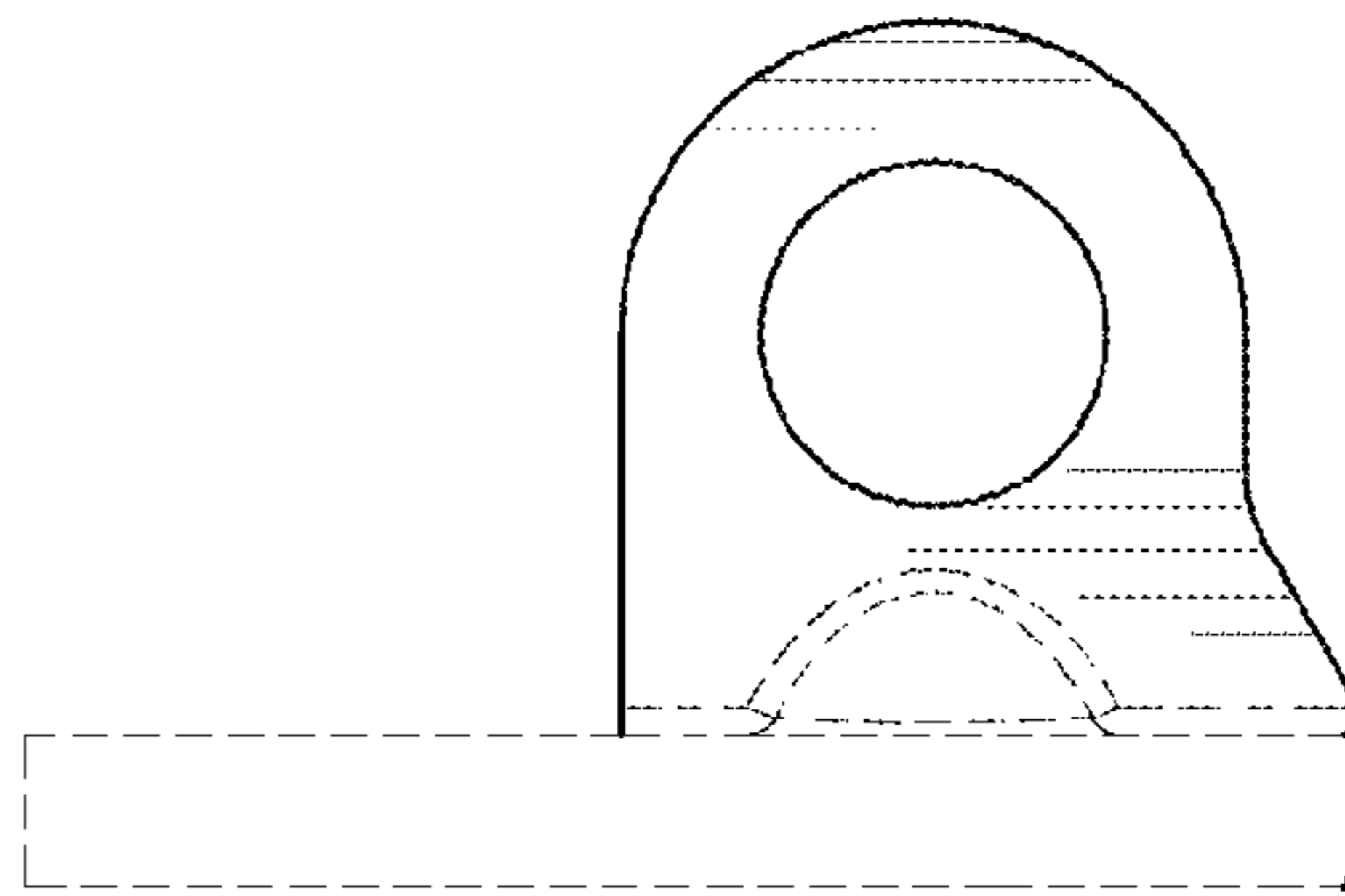


FIG. 4

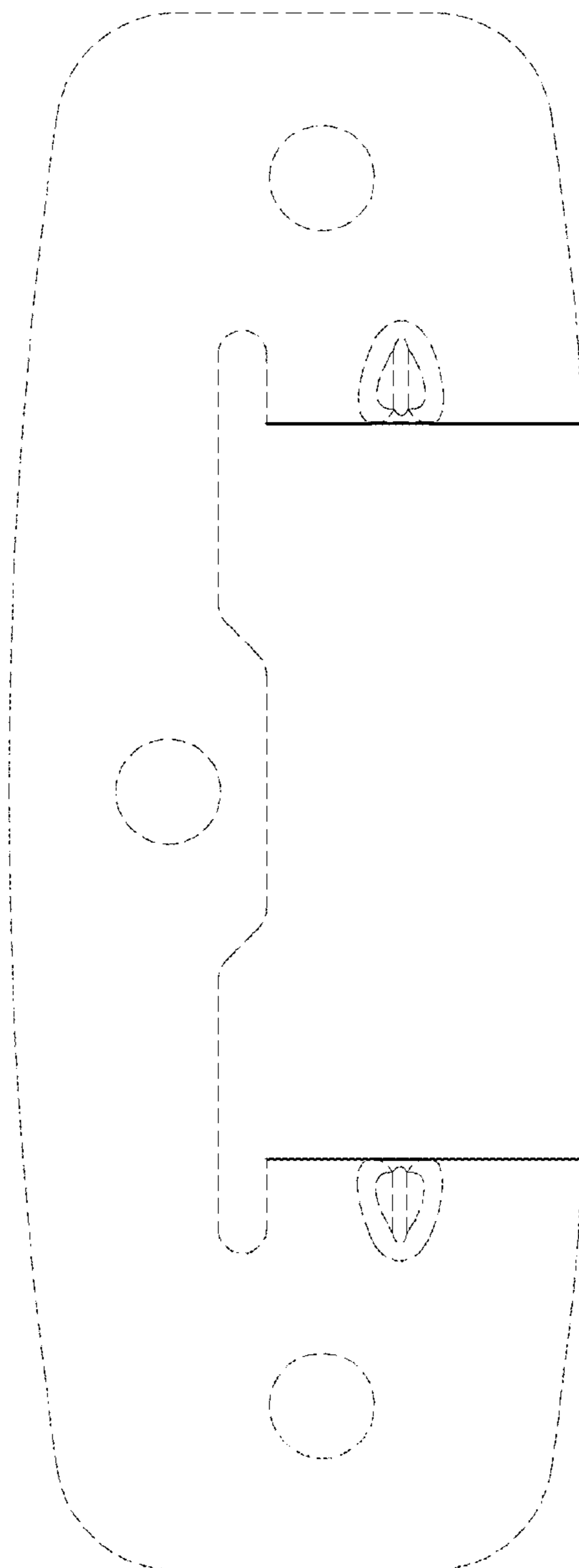




FIG. 5

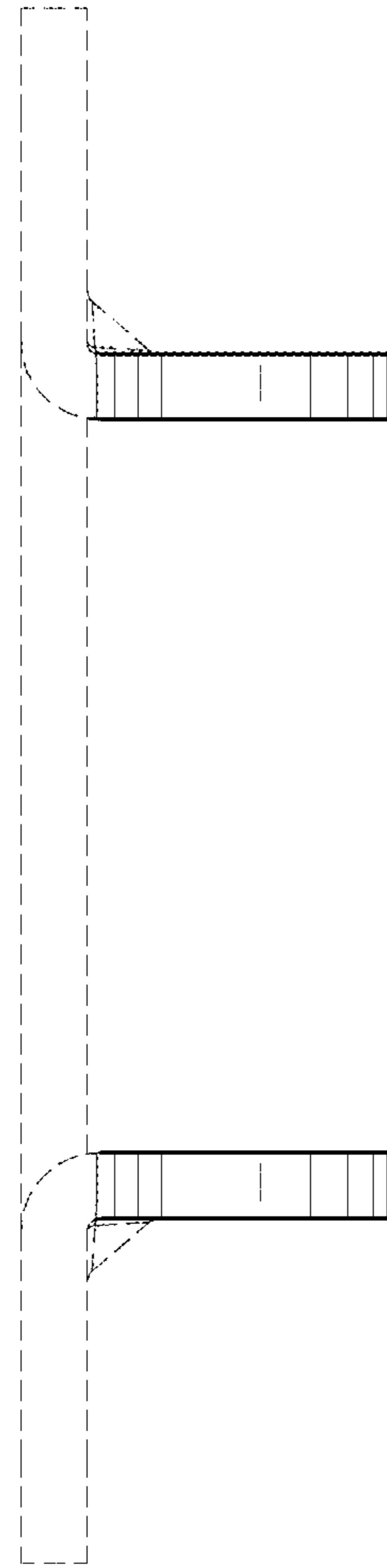


FIG. 6