



US00D768460S

(12) **United States Design Patent** (10) **Patent No.:** **US D768,460 S**
Adelman et al. (45) **Date of Patent:** **** Oct. 11, 2016**

(54) **KEYCHAIN MULTITOOL**
(71) Applicant: **Nite Ize, Inc.**, Boulder, CO (US)
(72) Inventors: **Gregory M. Adelman**, Boulder, CO (US); **Ian M. Core**, Pittsburgh, PA (US)
(73) Assignee: **NITE IZE, INC.**, Boulder, CO (US)
(**) Term: **14 Years**
(21) Appl. No.: **29/513,617**
(22) Filed: **Jan. 2, 2015**
(51) **LOC (10) Cl.** **08-05**
(52) **U.S. Cl.**
USPC **D8/105**
(58) **Field of Classification Search**
USPC D3/207, 208, 210; D8/14, 16-21, 26, D8/33, 34, 38-43, 51, 55, 81-87, 98, D8/104-106, 354, 356, 358, 360.1; 7/138, 7/142, 158, 160, 163, 165
CPC B25F 1/00
See application file for complete search history.

D709,344 S * 7/2014 Adelman D3/208
8,856,995 B2 * 10/2014 Arvinte A47L 13/022
7/105
D733,516 S * 7/2015 Kelleghan D8/105
D747,947 S * 1/2016 Ma D8/105
2008/0141481 A1 * 6/2008 Arvinte A47L 13/022
15/236.01

OTHER PUBLICATIONS

<https://www.niteize.com/product/DoohicKey-6x-Key-Tool.asp>
Retrieved Apr. 5, 2016.*

* cited by examiner

Primary Examiner — Susan Bennett Hattan
Assistant Examiner — Leanne Was
(74) *Attorney, Agent, or Firm* — Haynes and Boone, LLP;
Robert P. Ziemian

(57) **CLAIM**
The ornamental design for a keychain multitool, as shown and described.

DESCRIPTION

FIG. 1 is a front perspective view of the keychain multitool; FIG. 2 is a back perspective view of the keychain multitool of FIG. 1; FIG. 3 is a front view of the keychain multitool of FIG. 1; FIG. 4 is a back view of the keychain multitool of FIG. 1; FIG. 5 is a left side view of the keychain multitool of FIG. 1; FIG. 6 is a right side view of the keychain multitool of FIG. 1; FIG. 7 is a top view of the keychain multitool of FIG. 1; and, FIG. 8 is a bottom view of the keychain multitool of FIG. 1.

1 Claim, 5 Drawing Sheets

(56) **References Cited**

U.S. PATENT DOCUMENTS

D235,091 S * 5/1975 Daenen D8/104
D311,667 S * 10/1990 Cholagh D8/18
D435,408 S * 12/2000 Panfili D8/105
D450,994 S * 11/2001 Abbott D8/105
D515,903 S * 2/2006 Kelleghan D8/105
D609,992 S * 2/2010 Delaney D32/49
D609,993 S * 2/2010 Cain D8/105

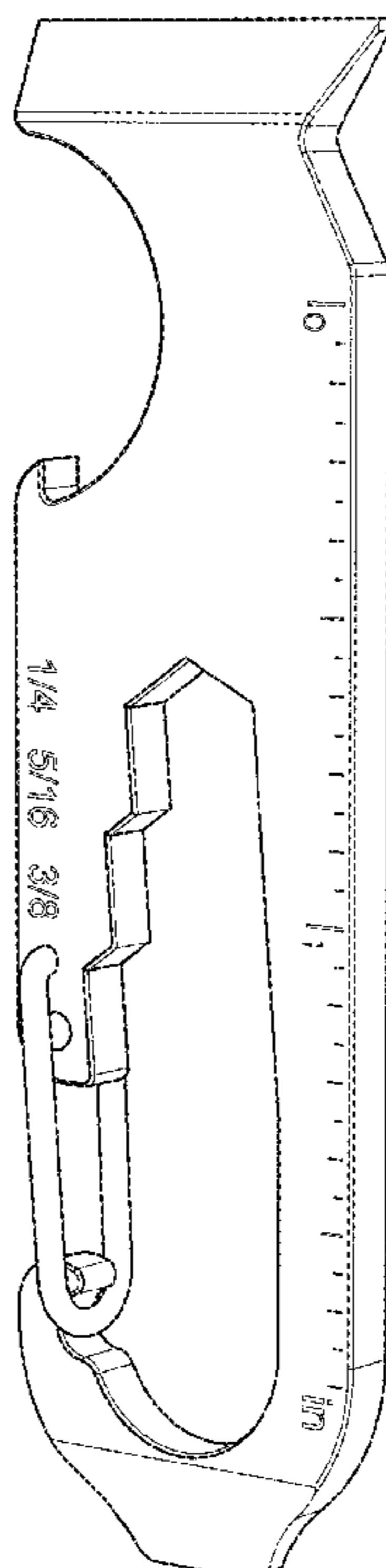


FIG. 1

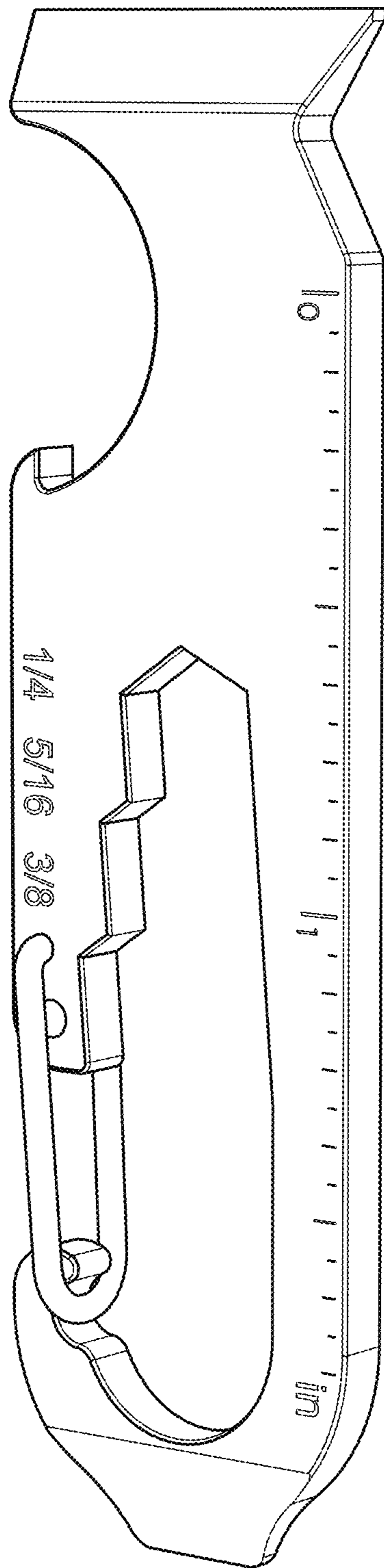


FIG. 2

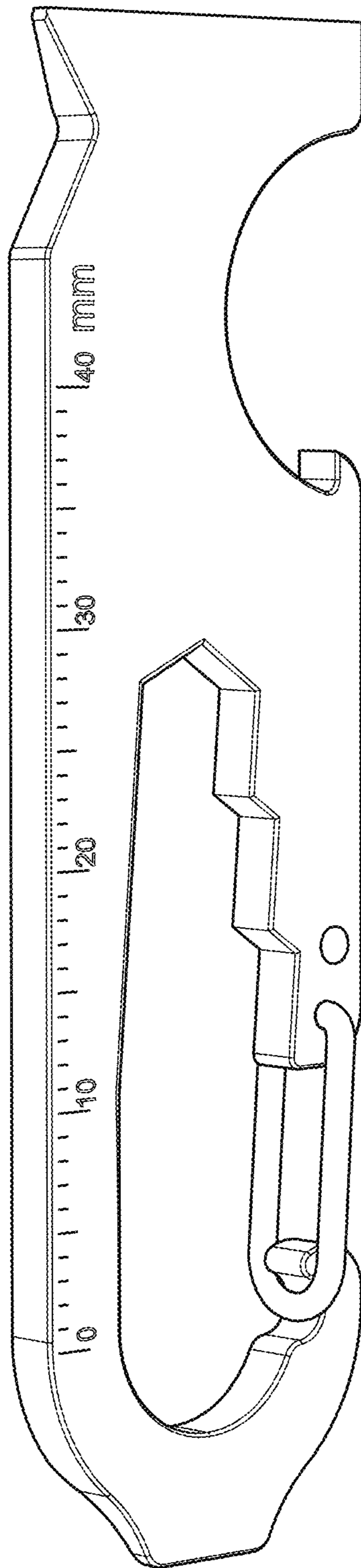


FIG. 3

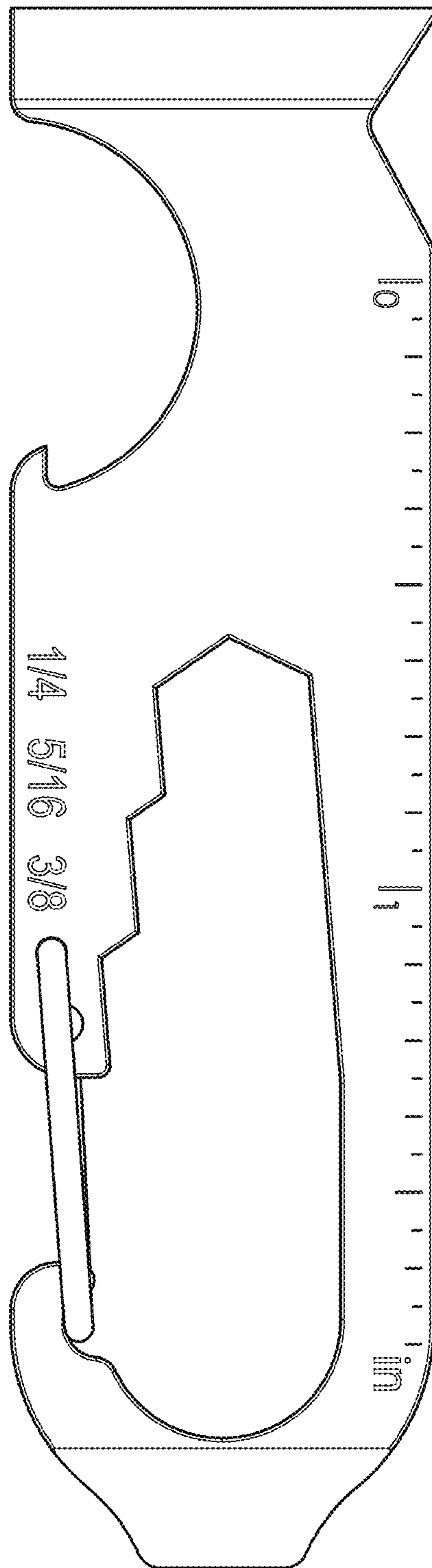


FIG. 4

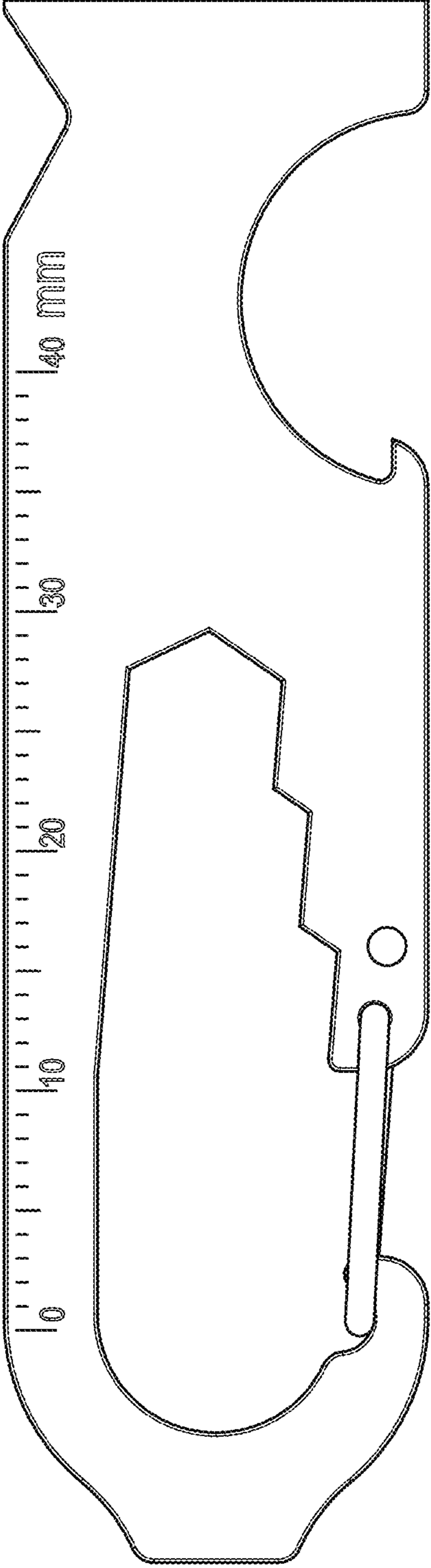


FIG. 5

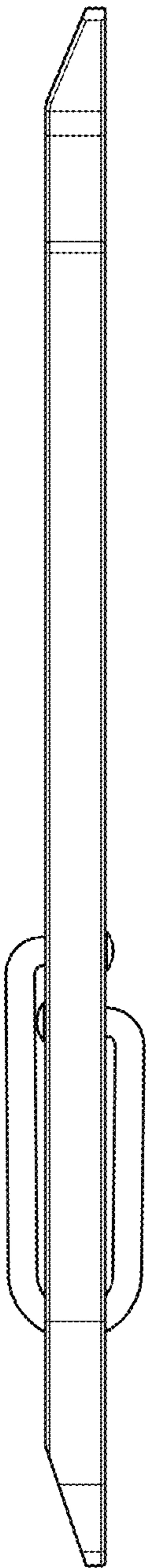


FIG. 6

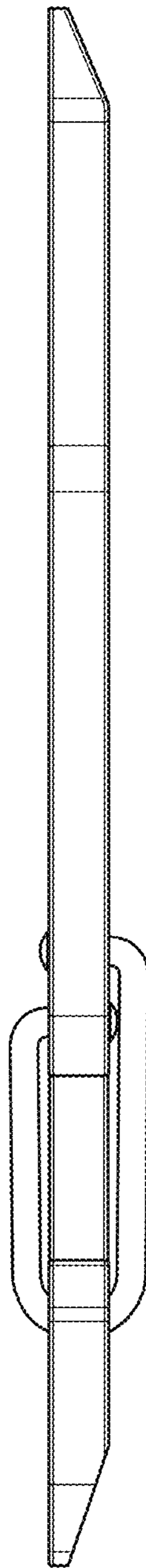


FIG. 7

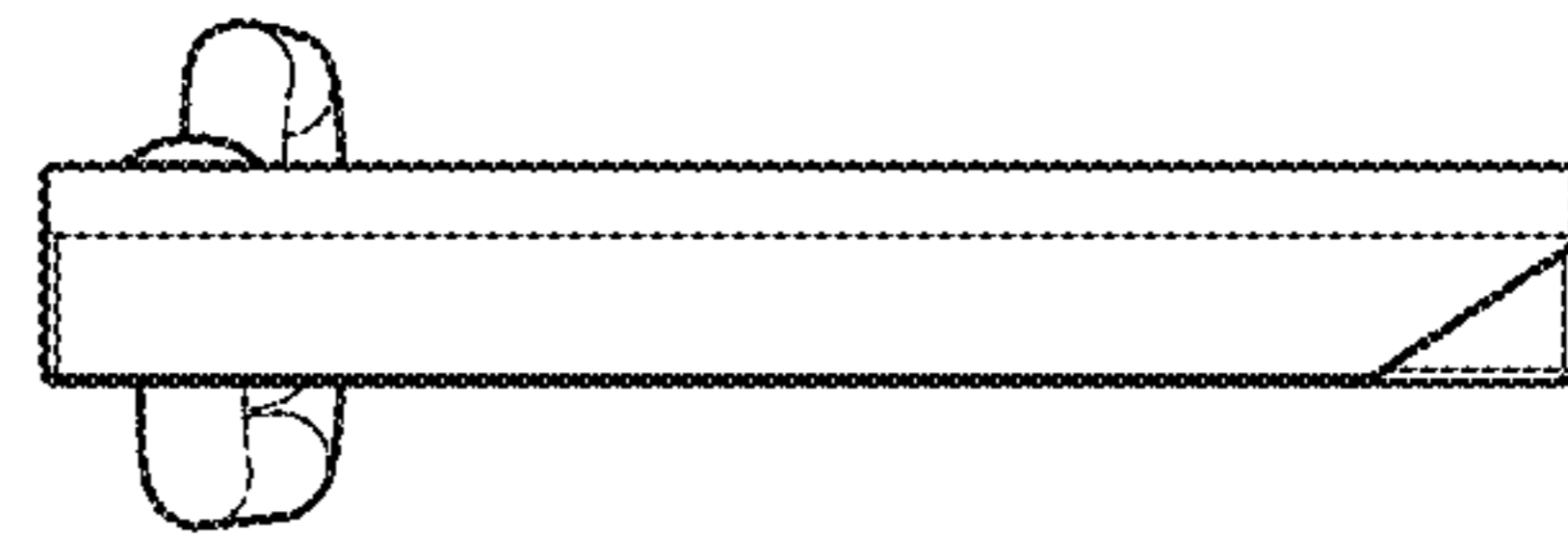


FIG. 8

