



US00D768459S

(12) **United States Design Patent**  
**Yuhuan**

(10) **Patent No.:** **US D768,459 S**  
(45) **Date of Patent:** **\*\* Oct. 11, 2016**

- (54) **KNIFE**
- (71) Applicant: **Taylor Brands, LLC**, Kingsport, TN (US)
- (72) Inventor: **Caliber Li Yuhuan**, Pudong Shanghai (CN)
- (73) Assignee: **Battenfeld Technologies, Inc.**, Columbia, MO (US)
- (\*\*) Term: **15 Years**
- (21) Appl. No.: **29/531,453**
- (22) Filed: **Jun. 25, 2015**
- (51) **LOC (10) Cl.** ..... **08-03**
- (52) **U.S. Cl.**  
USPC ..... **D8/99**
- (58) **Field of Classification Search**  
USPC ..... D8/98, 99, 100, 105, 107; D22/118  
CPC ..... B26B 1/00; B26B 1/02; B26B 1/04; B26B 1/042; B26B 1/044; B26B 1/10  
See application file for complete search history.

D562,102 S	2/2008	Pearman	
D562,932 S	2/2008	Taylor	
D578,857 S	10/2008	Yang-Fu	
7,555,839 B2 *	7/2009	Koelewyn	B26B 1/048 30/159
D599,640 S	9/2009	Yang-Fu	
D599,641 S	9/2009	Yang-Fu	
D600,090 S	9/2009	Yang-Fu	
D613,145 S	4/2010	Yang-Fu	
D688,933 S	9/2013	Cheng	
D696,919 S *	1/2014	Leh	D8/99
D706,605 S	6/2014	Cheng	
D732,367 S *	6/2015	Parker	D8/99
D732,918 S *	6/2015	Wang	D8/99
D733,515 S	7/2015	Cheng	
D734,117 S	7/2015	Cheng	
D737,110 S *	8/2015	Schuft	D8/99
2005/0172497 A1 *	8/2005	Linn	B26B 1/02 30/161

\* cited by examiner

*Primary Examiner* — Phillip S Hyder

(74) *Attorney, Agent, or Firm* — Luedeka Neely Group, PC

(57) **CLAIM**

The ornamental design for a knife, as shown and described.

**DESCRIPTION**

FIG. 1 is a perspective view of a knife of my new design; FIG. 2 is a left side elevation view of the knife of FIG. 1; FIG. 3 is a right side elevation view of the knife of FIG. 1; FIG. 4 is a top plan view of the knife of FIG. 1; FIG. 5 is a bottom plan view of the knife of FIG. 1; FIG. 6 is a front end view of the knife of FIG. 1; and, FIG. 7 is a rear end view of the knife of FIG. 1.

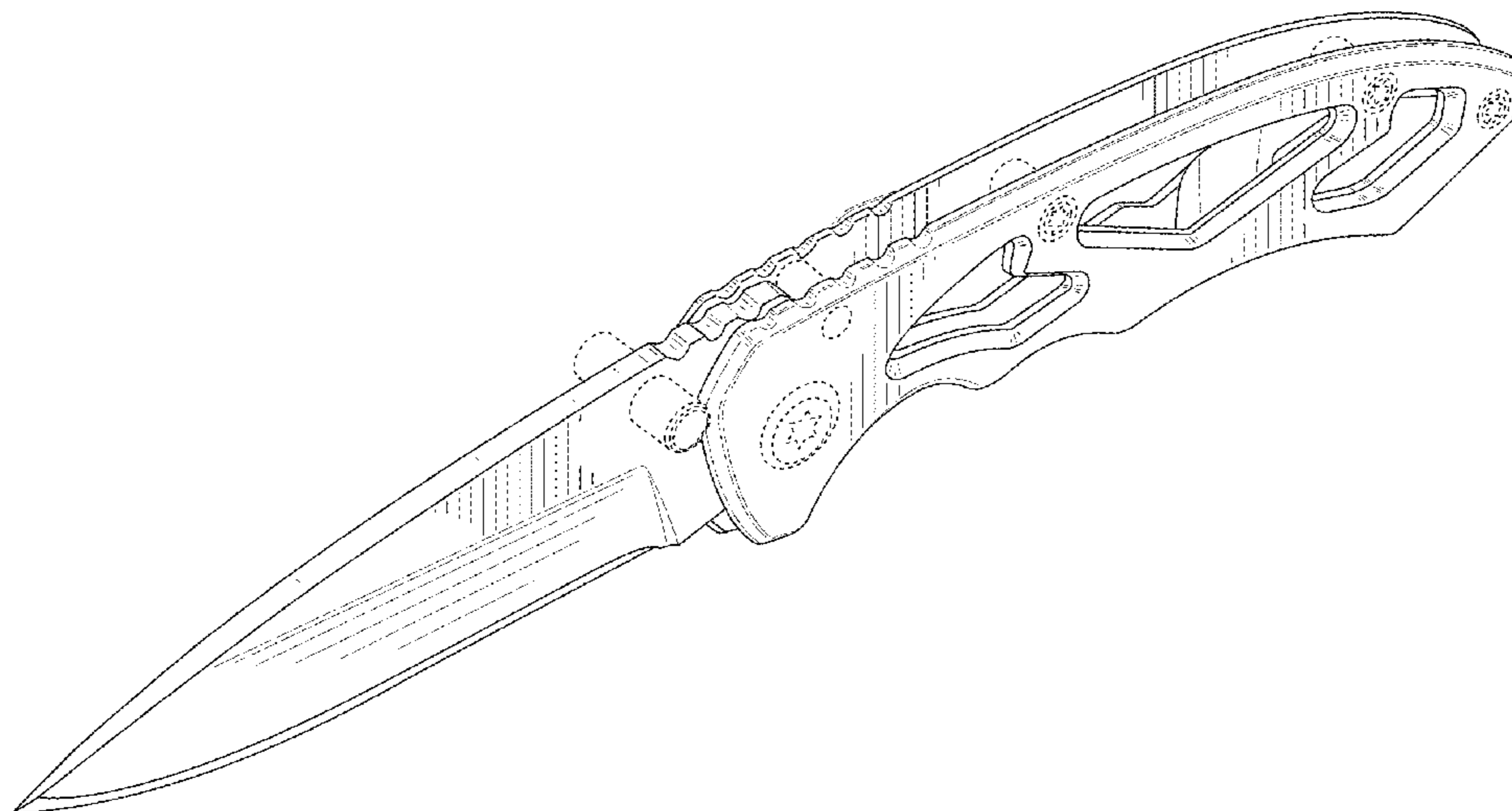
The broken lines in the drawings are included for the purpose of illustrating unclaimed features and form no part of the claimed design.

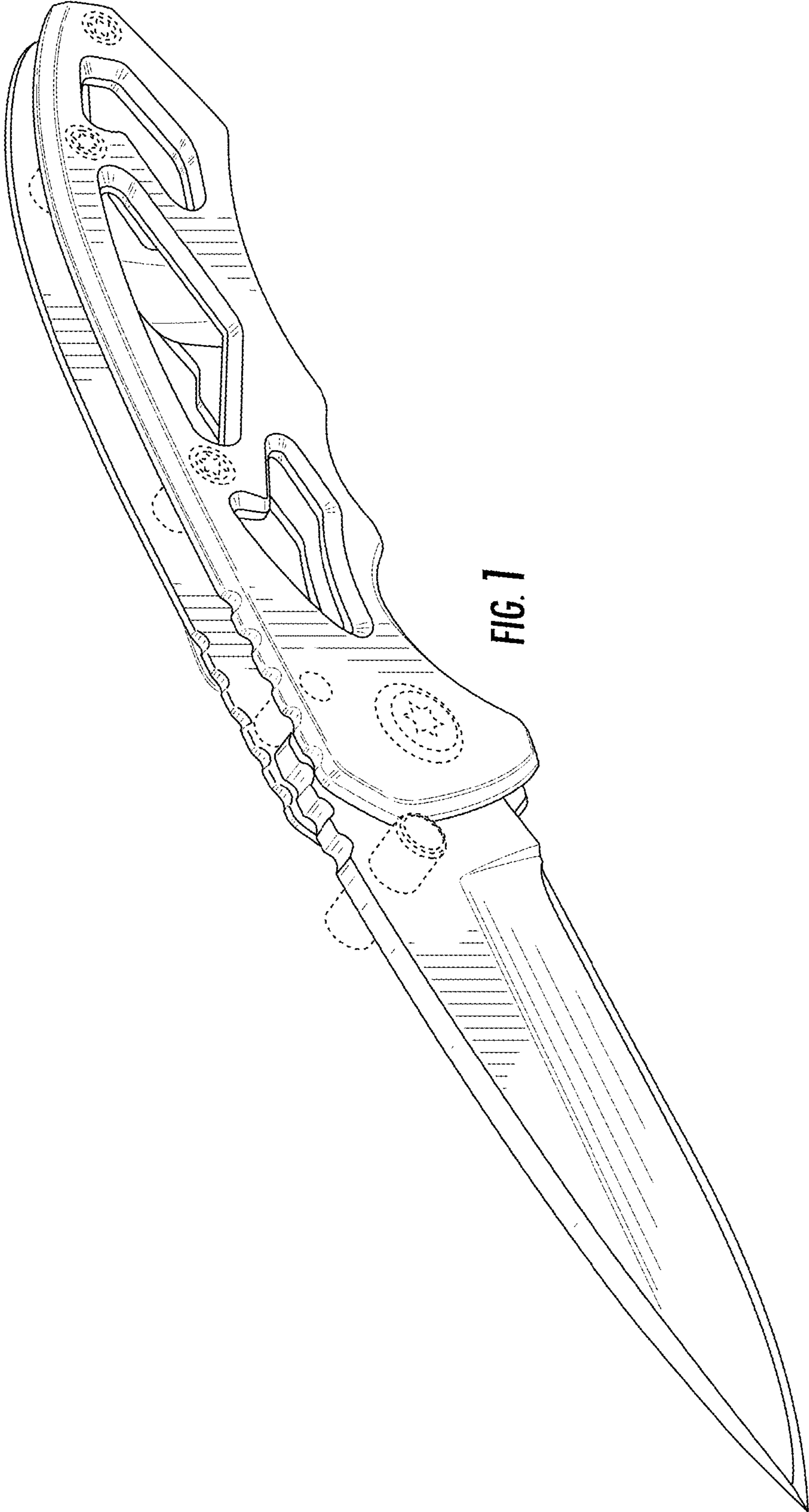
**1 Claim, 5 Drawing Sheets**

(56) **References Cited**

U.S. PATENT DOCUMENTS

D304,154 S *	10/1989	Osterhout	D8/107
D433,914 S *	11/2000	Chu	D8/99
D454,769 S	3/2002	Gardiner et al.	
D459,188 S	6/2002	Gardiner et al.	
D482,257 S	11/2003	Taylor et al.	
D482,258 S	11/2003	Taylor et al.	
D505,057 S	5/2005	Ralph	
D512,624 S	12/2005	Taylor et al.	
D539,631 S	4/2007	Taylor	
D554,964 S *	11/2007	Taylor	D8/99
D561,295 S	2/2008	Taylor	
D561,554 S	2/2008	Taylor	





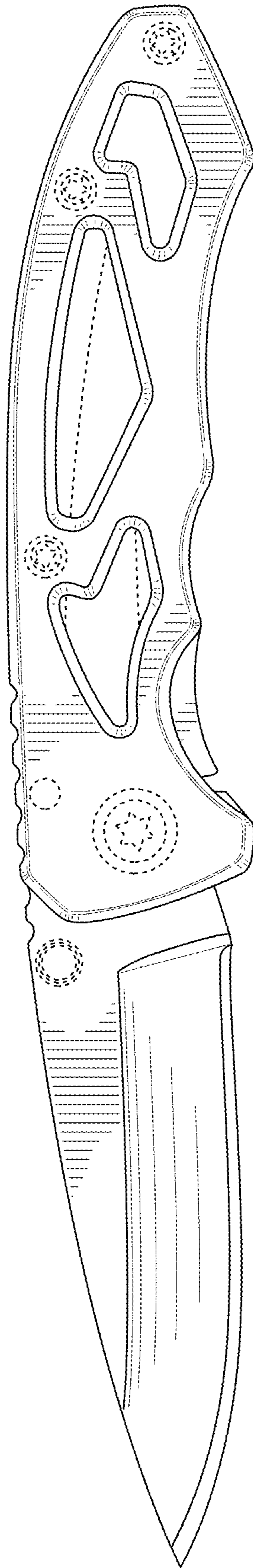


FIG. 2

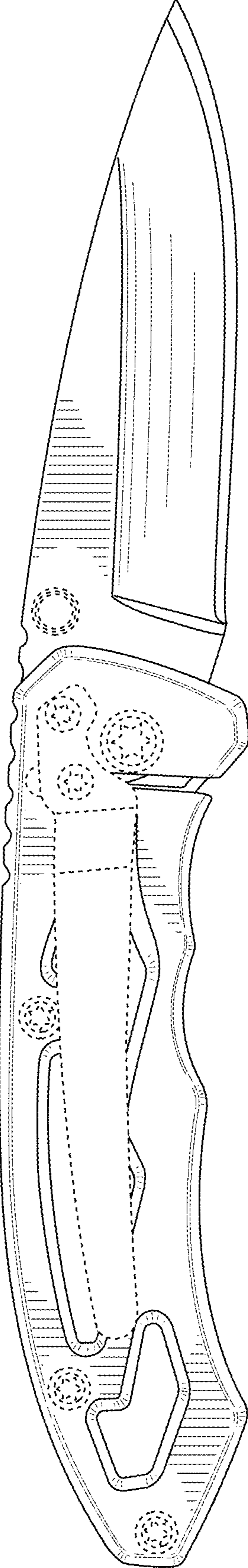
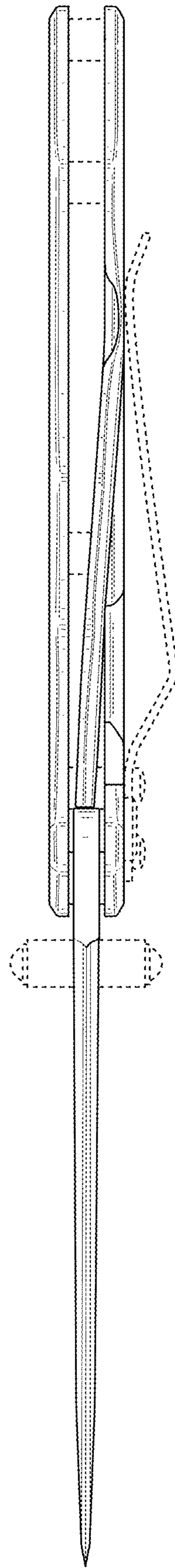
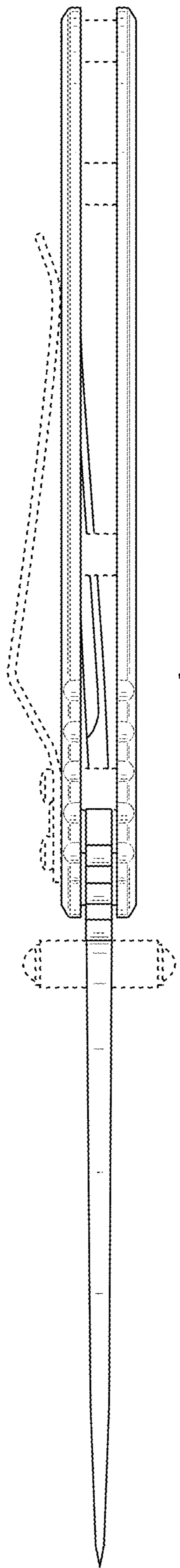
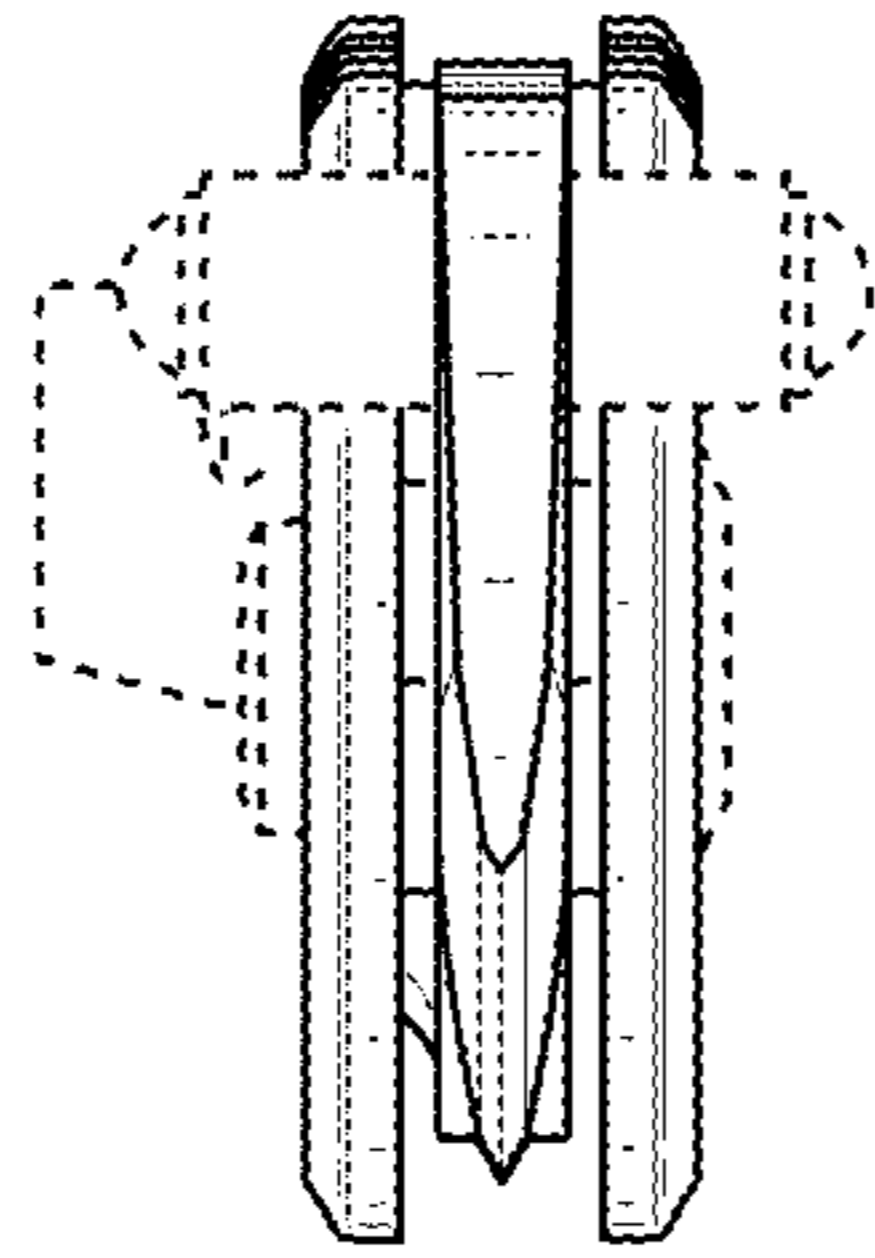
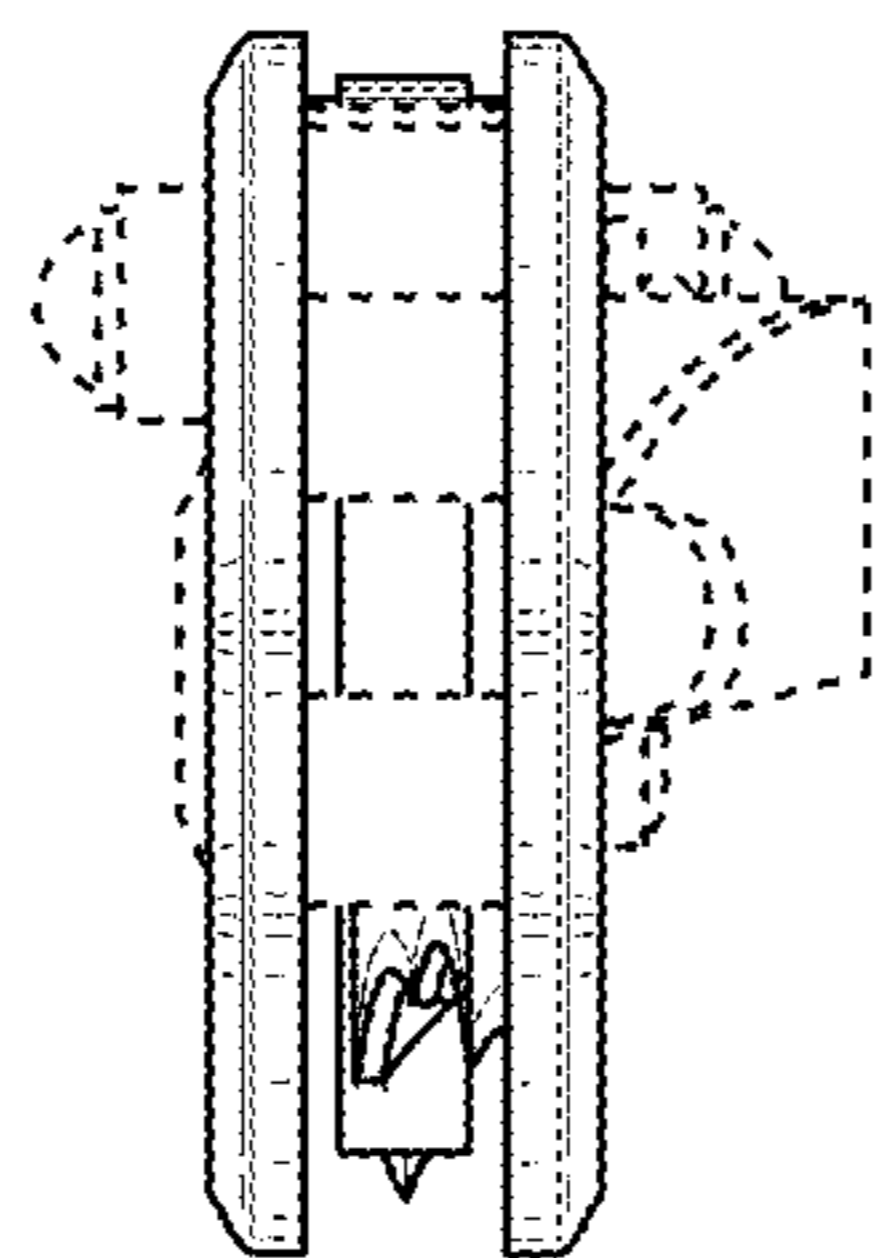


FIG. 3





**FIG. 6**



**FIG. 7**