



US00D768458S

(12) **United States Design Patent**
Mingyi

(10) **Patent No.:** **US D768,458 S**

(45) **Date of Patent:** **** Oct. 11, 2016**

(54) **KNIFE**

(71) Applicant: **Taylor Brands, LLC**, Kingsport, TN (US)

(72) Inventor: **Enlan Su Mingyi**, Guangdong (CN)

(73) Assignee: **Battenfeld Technologies, Inc.**, Columbia, MO (US)

(**) Term: **15 Years**

(21) Appl. No.: **29/531,452**

(22) Filed: **Jun. 25, 2015**

(51) **LOC (10) Cl.** **08-03**

(52) **U.S. Cl.**
USPC **D8/99**

(58) **Field of Classification Search**
USPC D8/98, 99, 100, 105, 107; D22/118
CPC B26B 1/00; B26B 1/02; B26B 1/04;
B26B 1/042; B26B 1/044; B26B 1/10
See application file for complete search history.

(56) **References Cited**

U.S. PATENT DOCUMENTS

D422,871 S	*	4/2000	Terzuola	D8/99
D454,769 S		3/2002	Gardiner et al.		
D459,188 S		6/2002	Gardiner et al.		
D482,257 S		11/2003	Taylor et al.		
D482,258 S		11/2003	Taylor et al.		
D497,531 S	*	10/2004	Carter, III	D8/99
D505,057 S		5/2005	Ralph		
D510,249 S	*	10/2005	Ray	D8/99
D512,624 S		12/2005	Taylor et al.		
D539,631 S		4/2007	Taylor		
D554,964 S		11/2007	Taylor		
D561,295 S		2/2008	Taylor		

D561,554 S		2/2008	Taylor		
D562,102 S		2/2008	Pearman		
D562,932 S		2/2008	Taylor		
D578,857 S		10/2008	Yang-Fu		
D593,838 S	*	6/2009	Williams	D8/99
D595,557 S	*	7/2009	Hawk	D8/99
D599,640 S		9/2009	Yang-Fu		
D599,641 S		9/2009	Yang-Fu		
D600,090 S		9/2009	Yang-Fu		
D613,145 S		4/2010	Yang-Fu		
D613,574 S	*	4/2010	Pohl	D8/99
D688,933 S		9/2013	Cheng		
D697,780 S	*	1/2014	Pelton	D8/99
D706,605 S		6/2014	Cheng		
D733,515 S		7/2015	Cheng		
D734,117 S	*	7/2015	Cheng	D8/99
2008/0201953 A1	*	8/2008	Bremer	B26B 1/046 30/1

* cited by examiner

Primary Examiner — Phillip S Hyder

(74) *Attorney, Agent, or Firm* — Luedeka Neely Group, PC

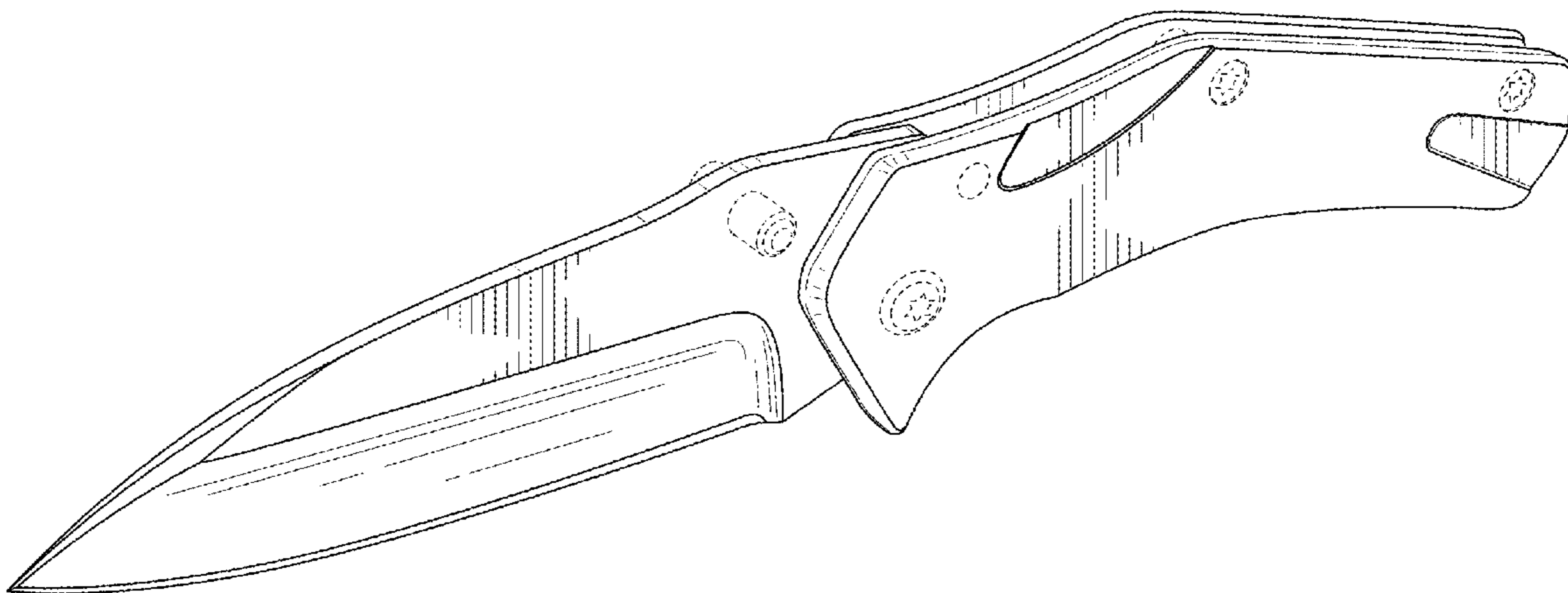
(57) **CLAIM**

The ornamental design for a knife, as shown and described.

DESCRIPTION

FIG. 1 is a perspective view of a knife of my new design. FIG. 2 is a left side elevation view of the knife of FIG. 1. FIG. 3 is a right side elevation view of the knife of FIG. 1. FIG. 4 is a front end view of the knife of FIG. 1. FIG. 5 is a rear end view of the knife of FIG. 1. FIG. 6 is a top plan view of the knife of FIG. 1; and, FIG. 7 is a bottom plan view of the knife of FIG. 1. The broken lines in the drawings are included for the purpose of illustrating unclaimed features and form no part of the claimed design.

1 Claim, 6 Drawing Sheets



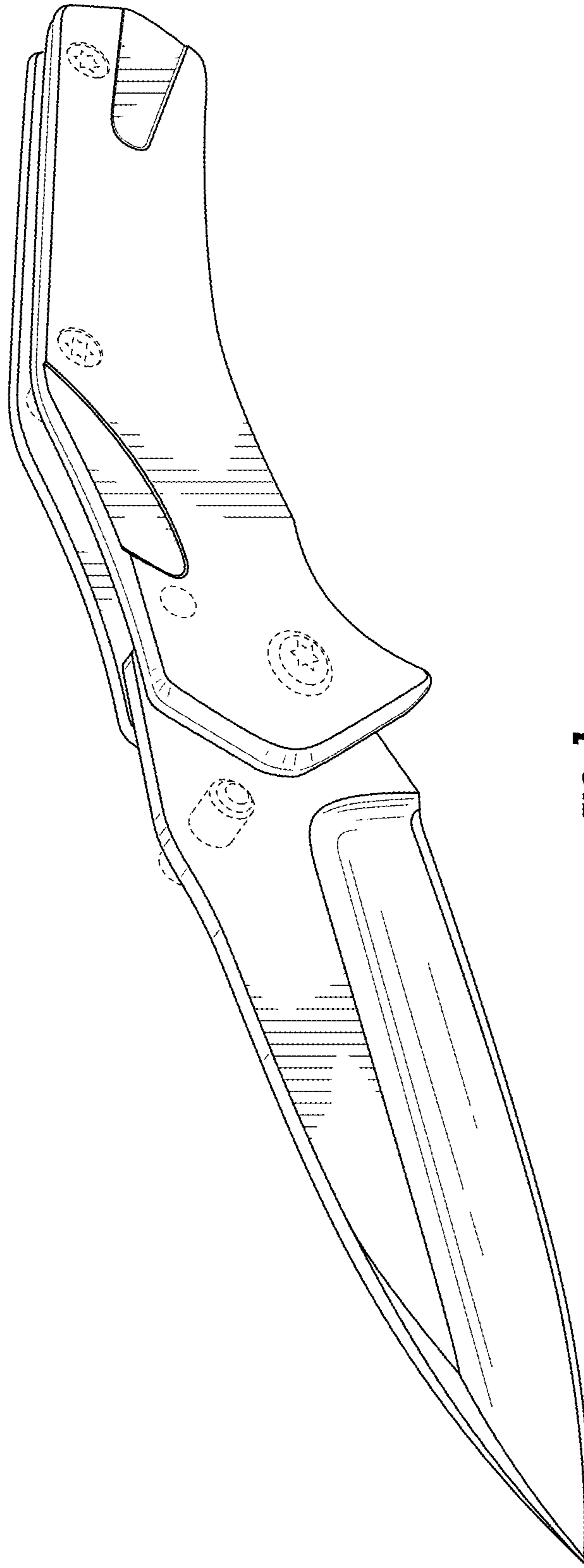


FIG. 1

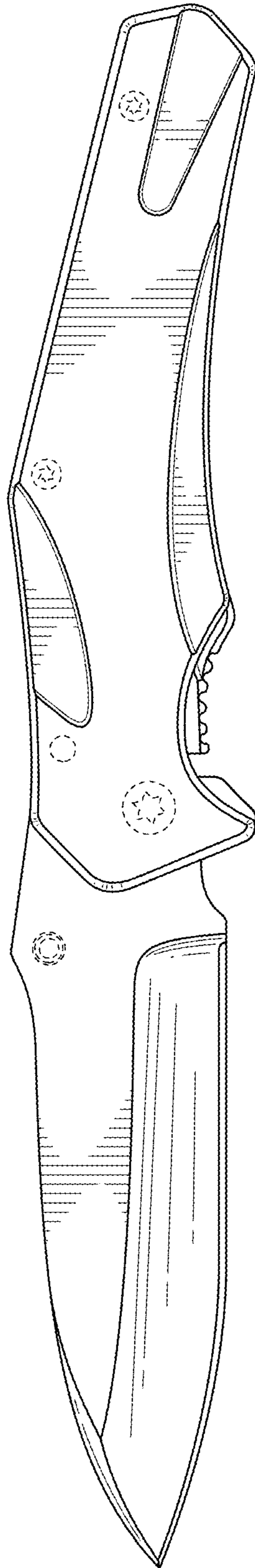


FIG. 2

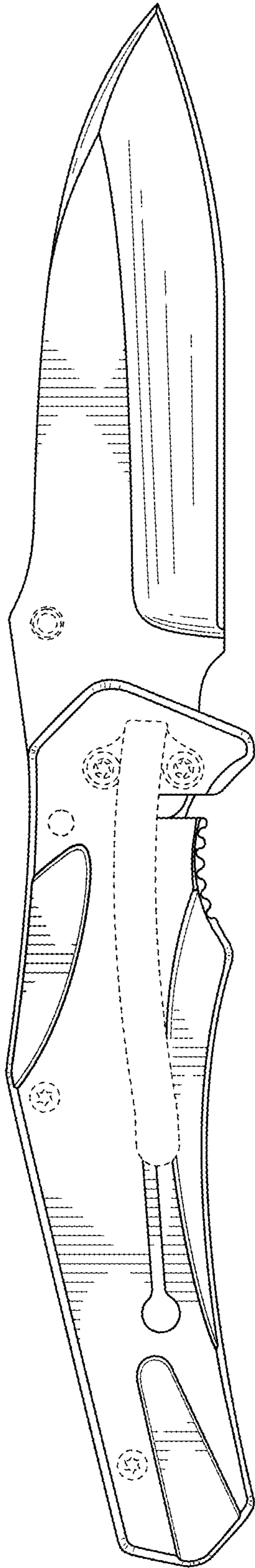


FIG. 3

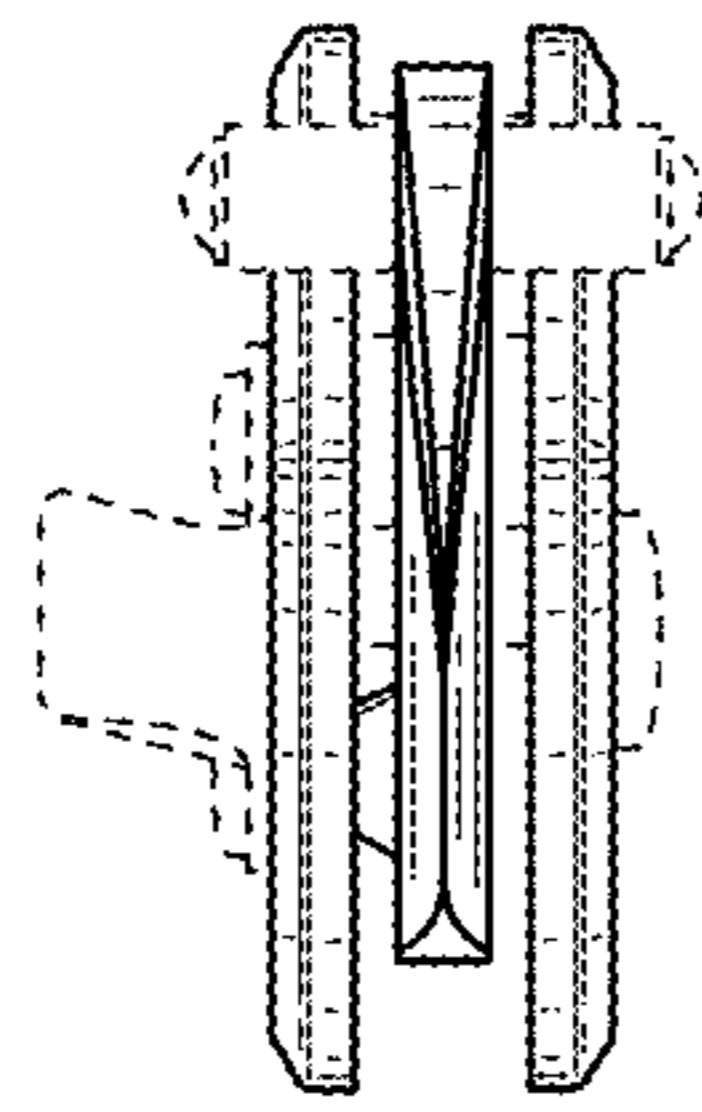


FIG. 4

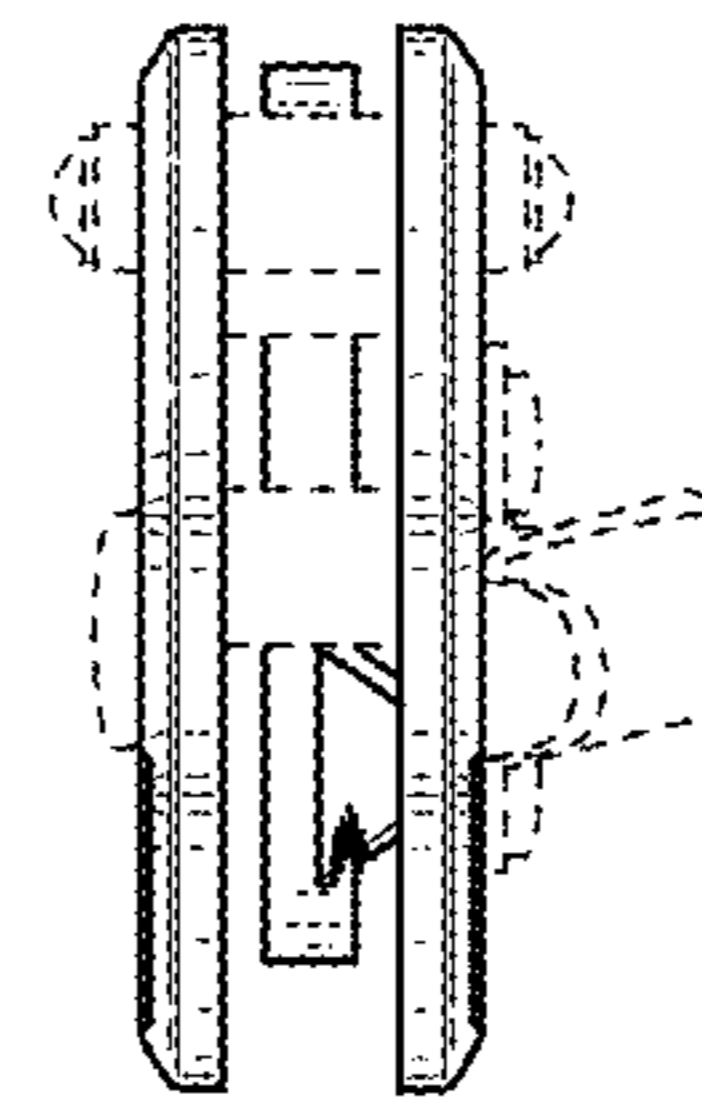


FIG. 5

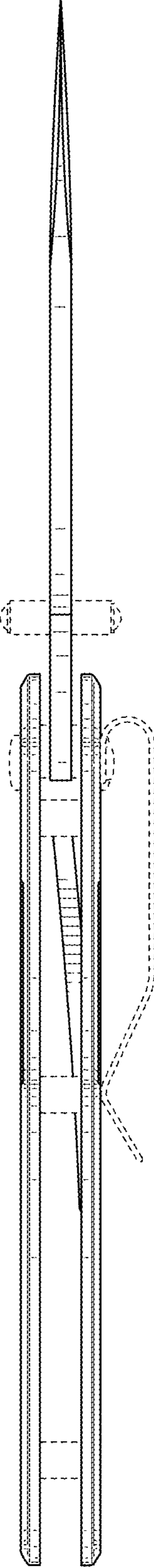


FIG. 6

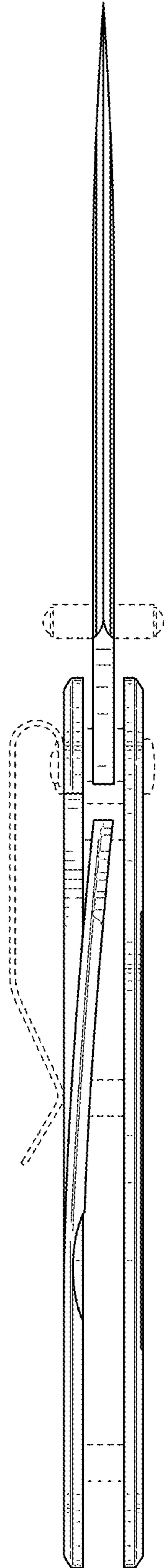


FIG. 7