



US00D768455S

(12) **United States Design Patent** (10) **Patent No.:** **US D768,455 S**
Xin (45) **Date of Patent:** **** Oct. 11, 2016**

(54) **KNIFE**
(71) Applicant: **Taylor Brands, LLC**, Kingsport, TN (US)
(72) Inventor: **Yetin Hu Xin**, Guangdong (CN)
(73) Assignee: **Battenfeld Technologies, Inc.**, Columbia, MO (US)
(**) Term: **15 Years**
(21) Appl. No.: **29/531,343**
(22) Filed: **Jun. 25, 2015**
(51) **LOC (10) Cl.** **08-03**
(52) **U.S. Cl.**
USPC **D8/99**
(58) **Field of Classification Search**
USPC D8/98, 99, 100, 105, 107; D22/118
CPC B26B 1/00; B26B 1/02; B26B 1/04;
B26B 1/042; B26B 1/044; B26B 1/10
See application file for complete search history.

D562,932 S 2/2008 Taylor
D578,857 S 10/2008 Yang-Fu
D599,640 S 9/2009 Yang-Fu
D599,641 S 9/2009 Yang-Fu
D600,090 S 9/2009 Yang-Fu
D613,145 S 4/2010 Yang-Fu
D636,051 S * 4/2011 Freeman D22/118
D636,053 S * 4/2011 Freeman D22/118
D639,632 S * 6/2011 Freeman D8/99
D688,933 S 9/2013 Cheng
D696,920 S * 1/2014 Cagampang D8/99
D706,605 S 6/2014 Cheng
8,939,054 B2 * 1/2015 Hawk B26B 1/04
30/151
D733,515 S 7/2015 Cheng
D734,117 S 7/2015 Cheng
2012/0180320 A1 * 7/2012 Lo B26B 1/04
30/161

* cited by examiner

Primary Examiner — Phillip S Hyder
(74) *Attorney, Agent, or Firm* — Luedeka Neely Group, PC

(57) **CLAIM**
The ornamental design for a knife, as shown and described.

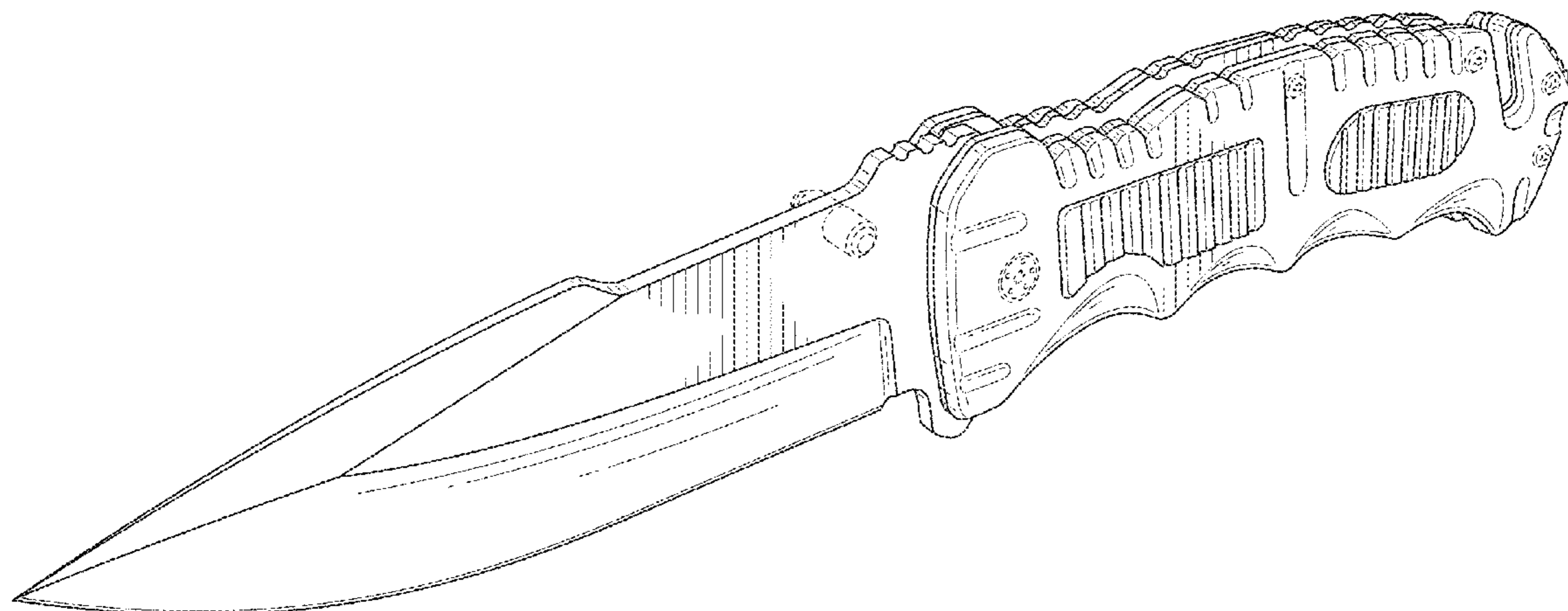
DESCRIPTION

FIG. 1 is a perspective view of a knife of my new design. FIG. 2 is a left side elevation view of the knife of FIG. 1. FIG. 3 is a right side elevation view of the knife of FIG. 1. FIG. 4 is a front end view of the knife of FIG. 1. FIG. 5 is a rear end view of the knife of FIG. 1. FIG. 6 is a top plan view of the knife of FIG. 1; and, FIG. 7 is a bottom plan view of the knife of FIG. 1. The broken lines in the drawings are included for the purpose of illustrating unclaimed features and form no part of the claimed design.

1 Claim, 6 Drawing Sheets

(56) **References Cited**
U.S. PATENT DOCUMENTS

D454,769 S 3/2002 Gardiner et al.
D459,188 S 6/2002 Gardiner et al.
D482,257 S 11/2003 Taylor et al.
D482,258 S 11/2003 Taylor et al.
D496,575 S * 9/2004 Carter, III D8/99
D505,057 S 5/2005 Ralph
D512,624 S 12/2005 Taylor et al.
D539,631 S 4/2007 Taylor
D554,964 S 11/2007 Taylor
D561,295 S 2/2008 Taylor
D561,554 S 2/2008 Taylor
D562,102 S 2/2008 Pearman



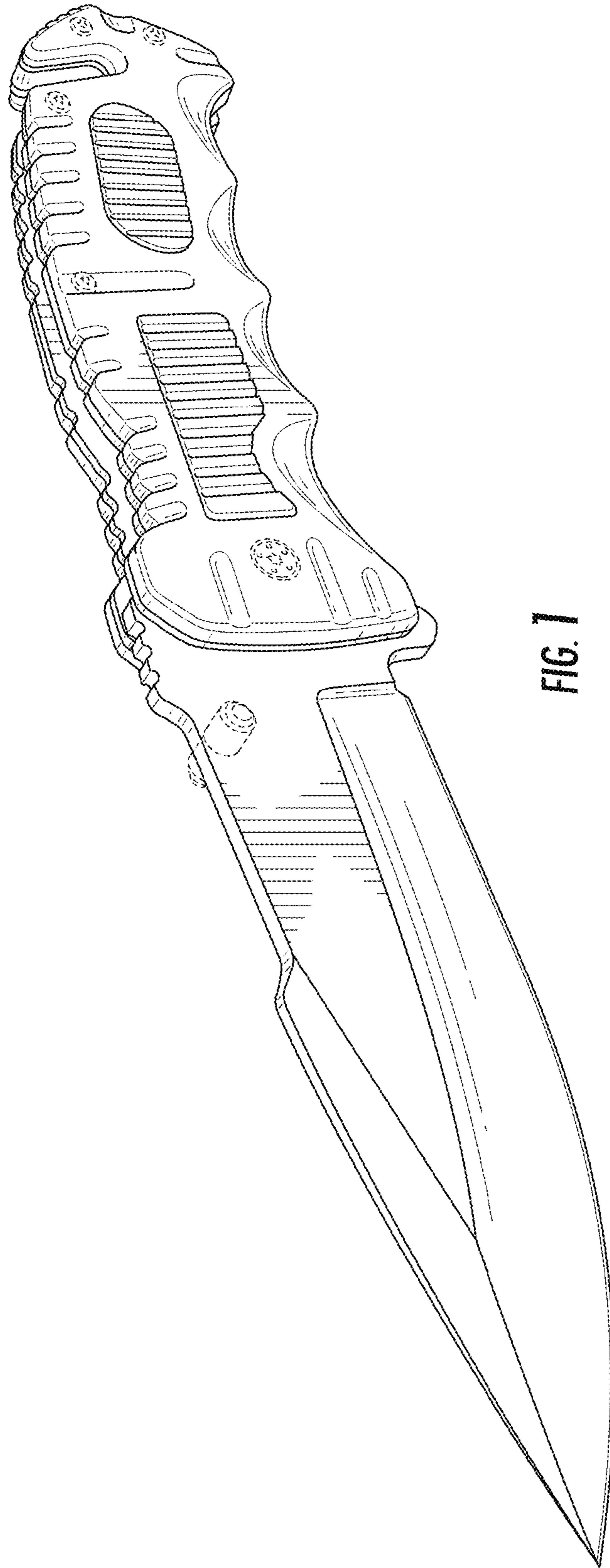


FIG. 1

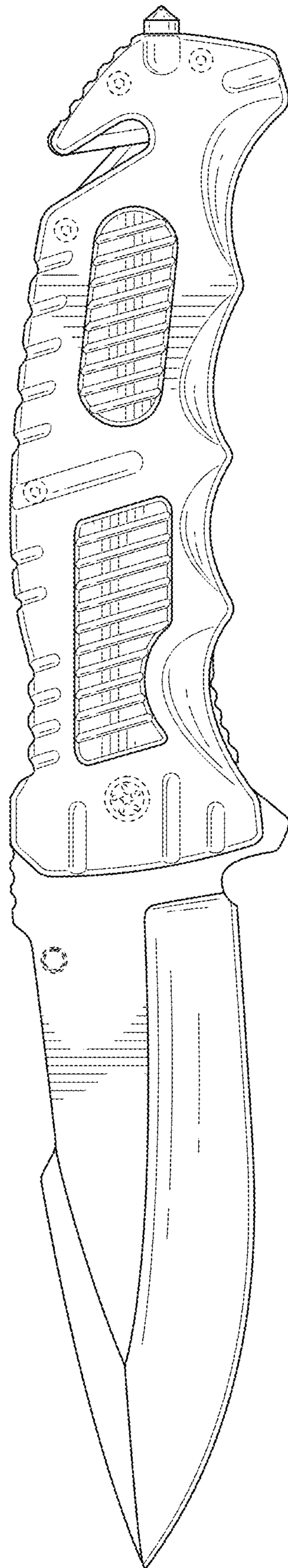


FIG. 2

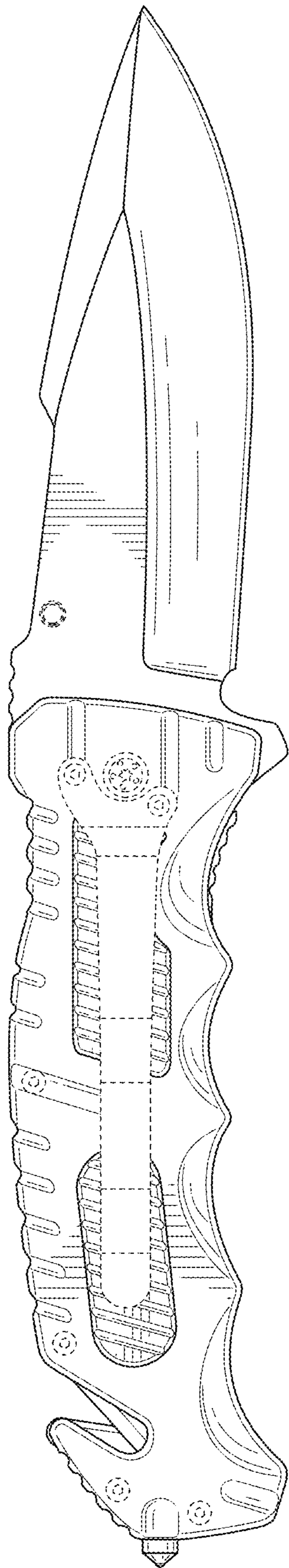


FIG. 3

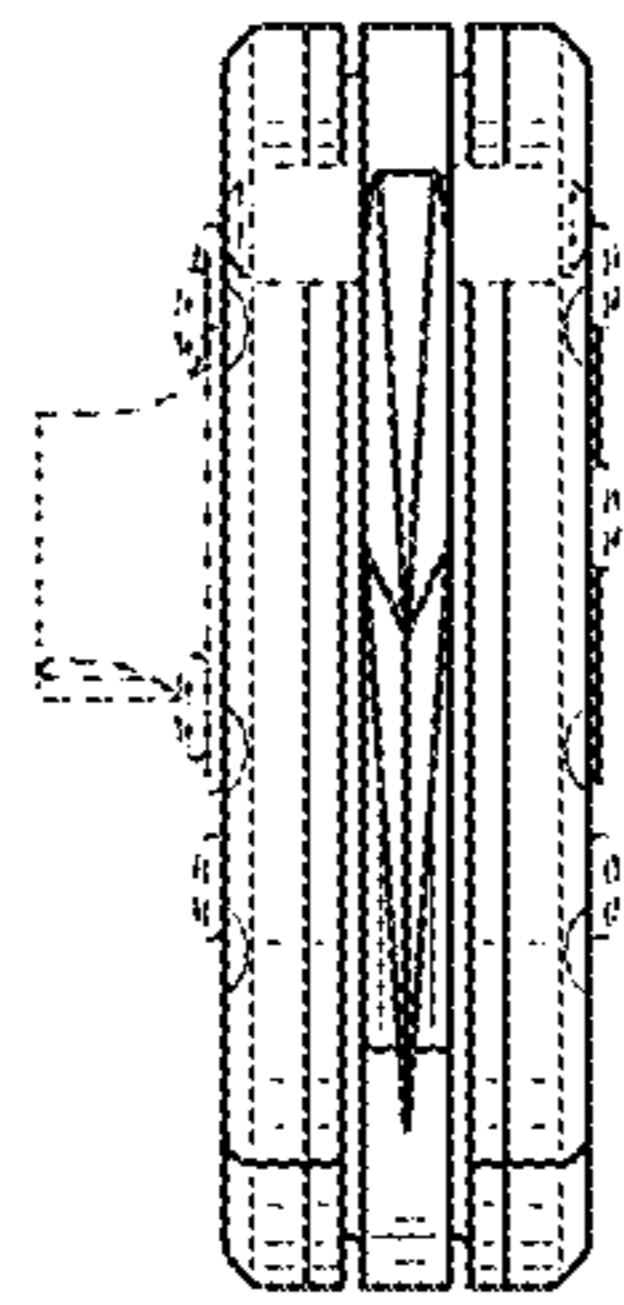


FIG. 4

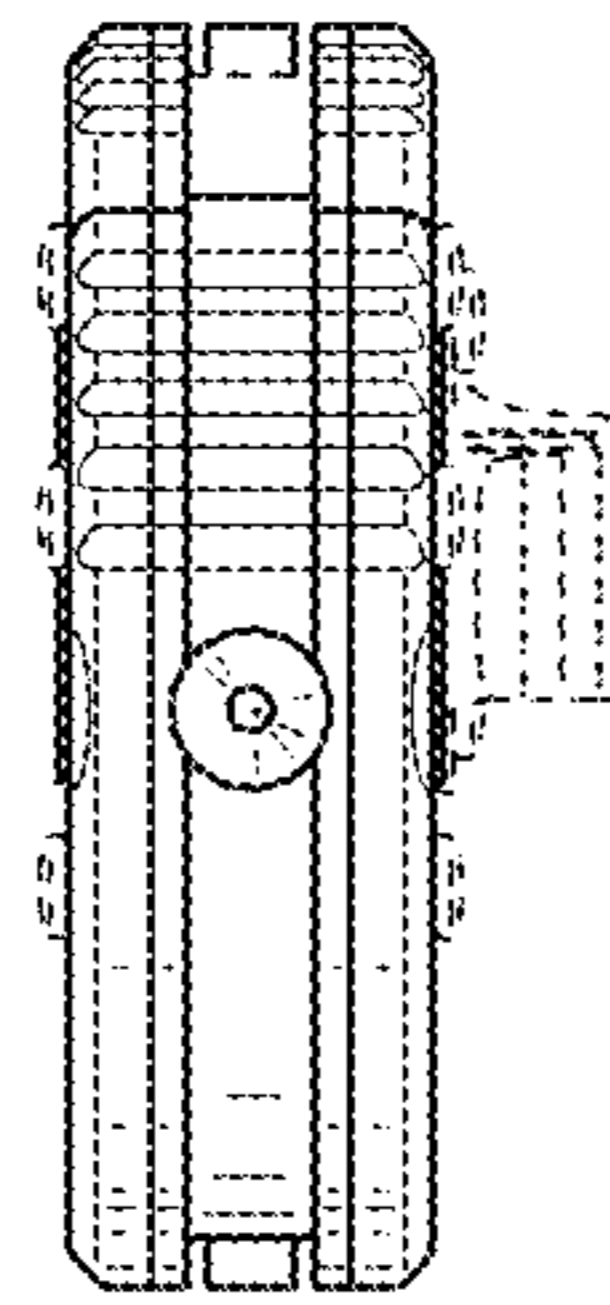


FIG. 5

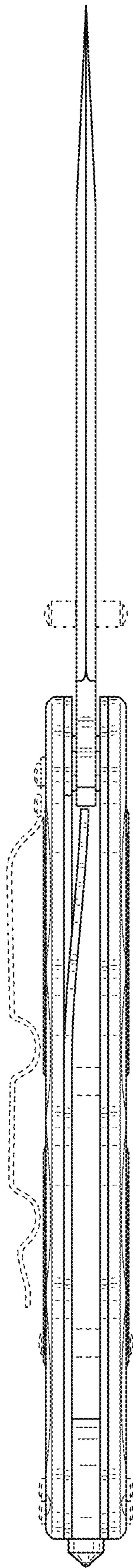


FIG. 6

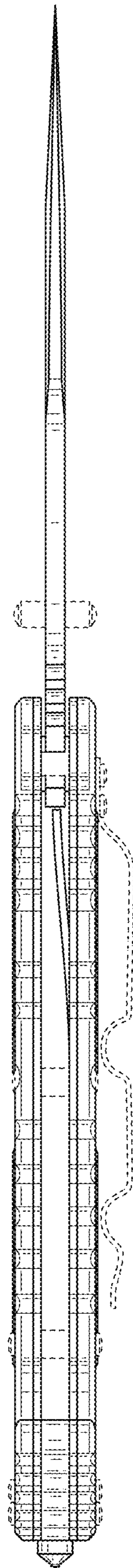


FIG. 7