



US00D768452S

(12) **United States Design Patent** (10) **Patent No.:** **US D768,452 S**
Padget et al. (45) **Date of Patent:** **** Oct. 11, 2016**

(54) **ROTARY TOOL**

(71) Applicants: **Robert Bosch Tool Corporation**, Broadview, IL (US); **Robert Bosch GmbH**, Stuttgart (DE)

(72) Inventors: **Bradley D. Padget**, Huntley, IL (US); **Daniel Blythe**, Arlington Heights, IL (US); **Kevin Wasielewski**, Downers Grove, IL (US)

(73) Assignees: **Robert Bosch Tool Corporation**, Broadview, IL (US); **Robert Bosch GmbH**, Stuttgart (DE)

(**) Term: **14 Years**

(21) Appl. No.: **29/499,056**

(22) Filed: **Aug. 11, 2014**

(51) **LOC (10) Cl.** **08-01**

(52) **U.S. Cl.**
USPC **D8/61**

(58) **Field of Classification Search**
USPC D8/61, 62, 67, 69; 81/57, 57.11, 57.14, 81/57.26, 429, 464, 469; 173/2, 170, 176, 173/181

CPC B25B 21/02; B25B 21/008; B25B 23/16; B25B 23/1405; A61B 17/1615

See application file for complete search history.

(56) **References Cited**

U.S. PATENT DOCUMENTS

D310,160 S	*	8/1990	Patel	D8/61
D427,040 S	*	6/2000	Heun	D8/61
D427,870 S	*	7/2000	Heun	D8/61
D433,905 S	*	11/2000	Cooper	D8/61
D459,176 S	*	6/2002	Duennes	D8/61
D491,031 S	*	6/2004	Davis	D8/61
D507,730 S	*	7/2005	Oles	D8/61
D510,848 S	*	10/2005	Singh	D8/61
D529,354 S	*	10/2006	Davis	D8/61
D556,000 S	*	11/2007	Singh	D8/61

(Continued)

Primary Examiner — Austin Murphy

(74) *Attorney, Agent, or Firm* — Maginot Moore & Beck LLP

(57) **CLAIM**

The ornamental design for a rotary tool, as shown and described.

DESCRIPTION

FIG. 1 is a perspective view of a first embodiment of a rotary tool showing our new design;

FIG. 2 is a right side elevational view showing the design for the rotary tool of FIG. 1;

FIG. 3 is a left side elevational view showing the design for the rotary tool of FIG. 1;

FIG. 4 is a front elevational view showing the design for the rotary tool of FIG. 1;

FIG. 5 is a rear elevational view showing the design for the rotary tool of FIG. 1;

FIG. 6 is a top plan view showing the design for the rotary tool of FIG. 1; and

FIG. 7 is a bottom plan view showing the design for the rotary tool of FIG. 1.

FIG. 8 is a perspective view of a second embodiment of a rotary tool showing our new design;

FIG. 9 is a right side elevational view showing the design for the rotary tool of FIG. 8;

FIG. 10 is a left side elevational view showing the design for the rotary tool of FIG. 8;

FIG. 11 is a front elevational view showing the design for the rotary tool of FIG. 8;

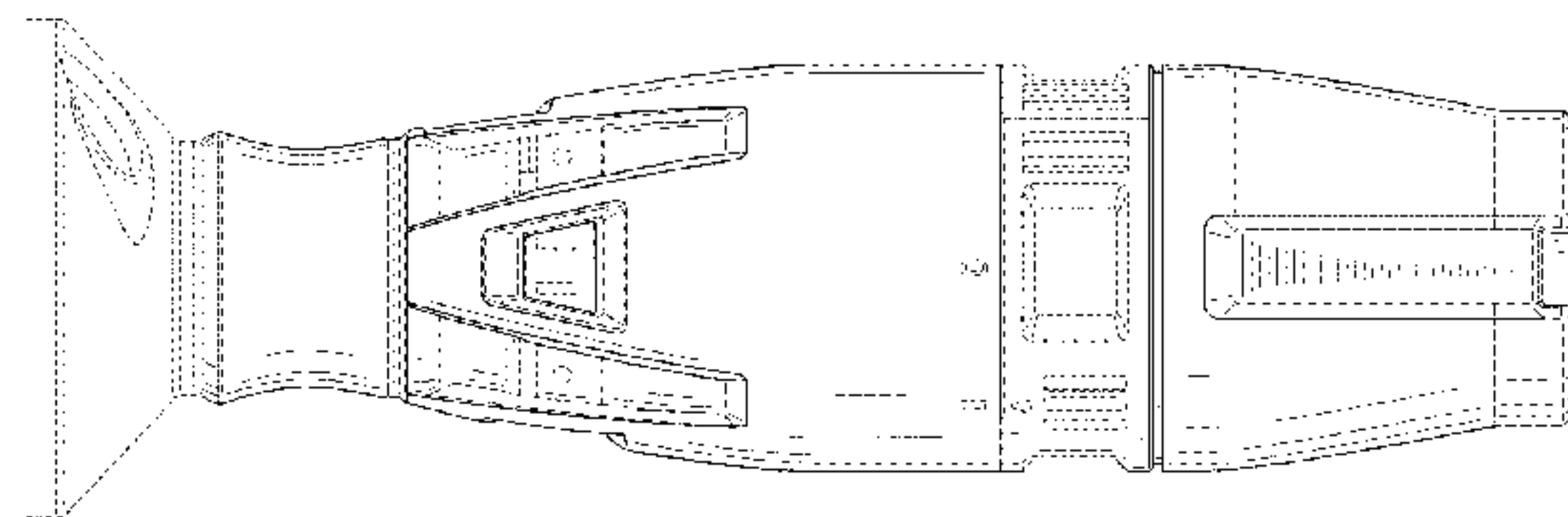
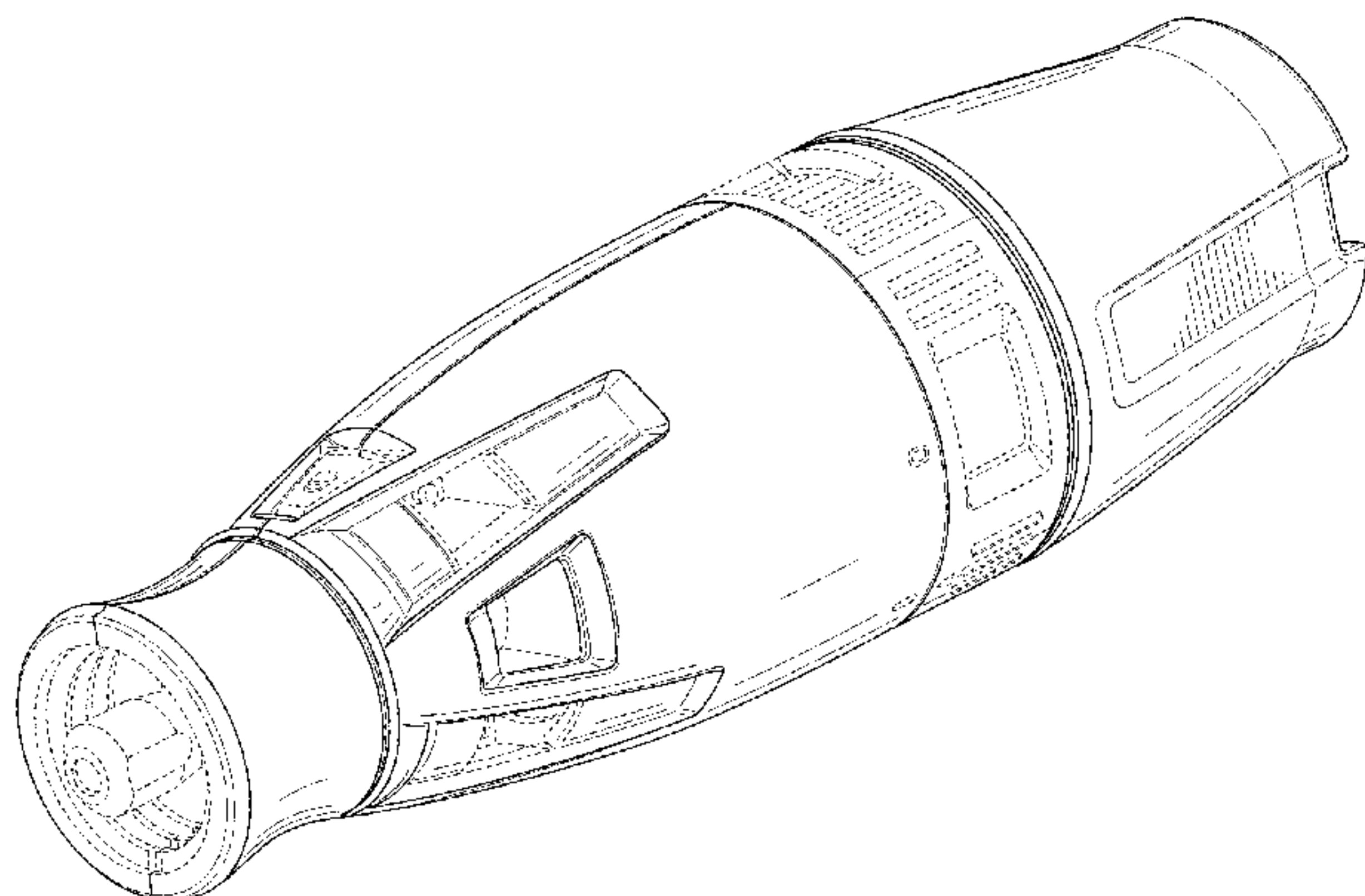
FIG. 12 is a rear elevational view showing the design for the rotary tool of FIG. 8;

FIG. 13 is a top plan view showing the design for the rotary tool of FIG. 8; and,

FIG. 14 is a bottom plan view showing the design for the rotary tool of FIG. 8.

The broken lines shown in the drawings illustrate portions of the rotary tool that form no part of the claimed design.

1 Claim, 12 Drawing Sheets



US D768,452 S

Page 2

(56)

References Cited

U.S. PATENT DOCUMENTS

D568,131 S *	5/2008	Huguet	D8/61	
D618,079 S *	6/2010	Blythe	D8/61	* cited by examiner
D663,180 S *	7/2012	Jerome	D8/61	
D677,540 S *	3/2013	Meyers	D8/61	
D715,615 S *	10/2014	Nagy	D8/61	
D720,196 S *	12/2014	Hsiao	D8/61	

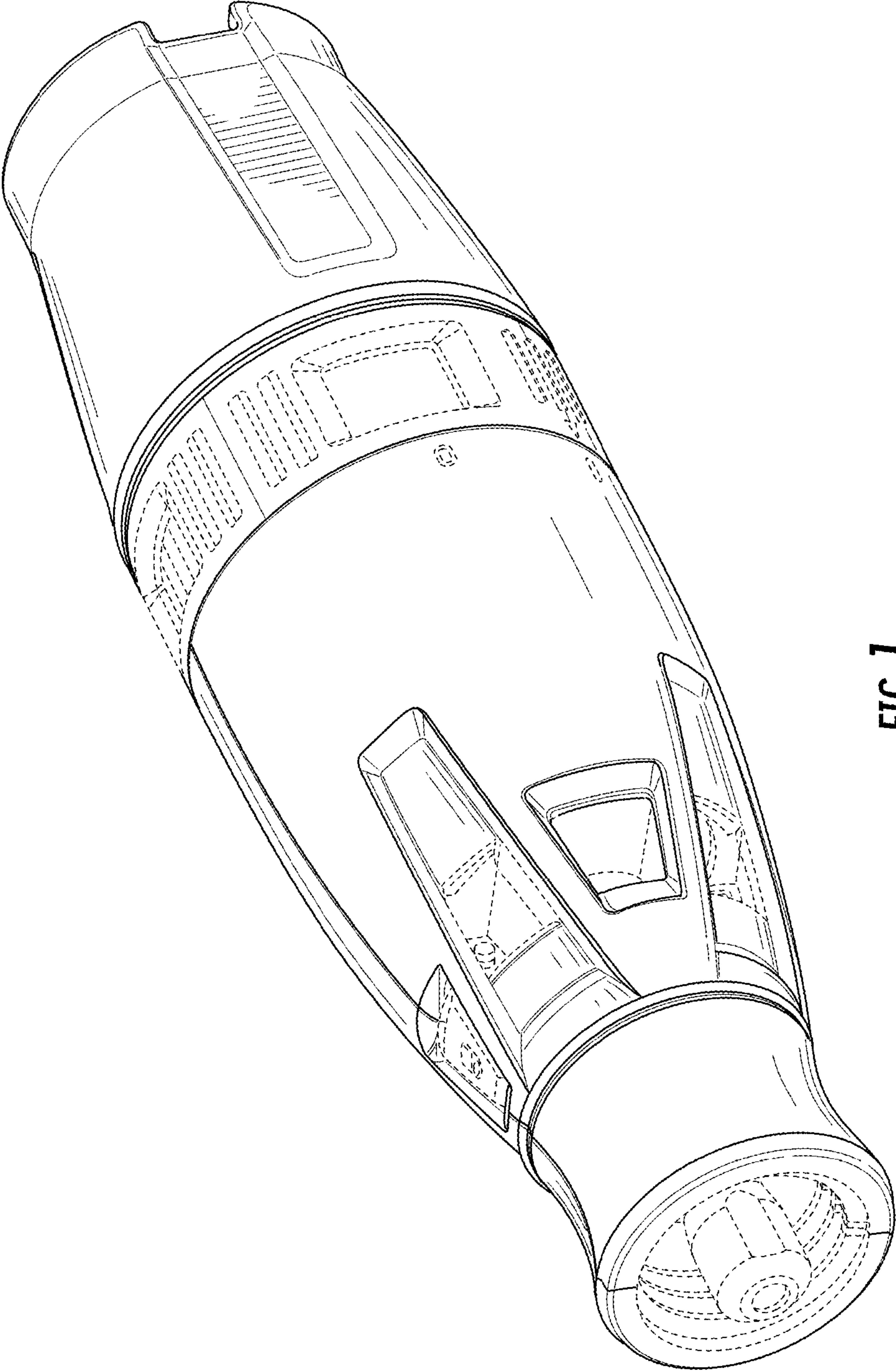


FIG. 1

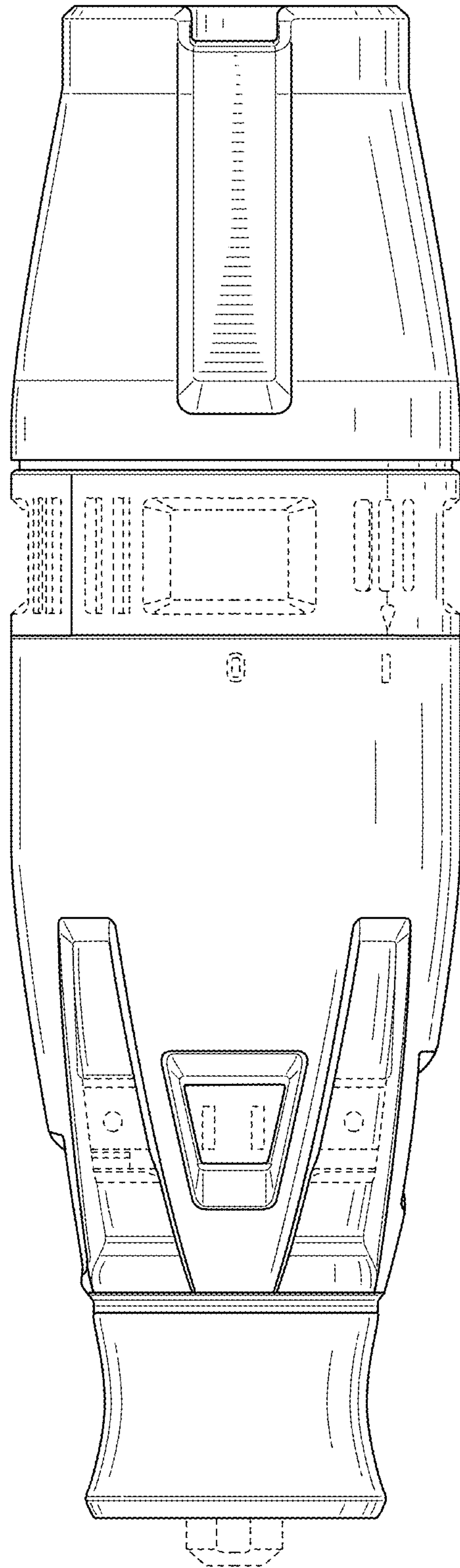


FIG. 2

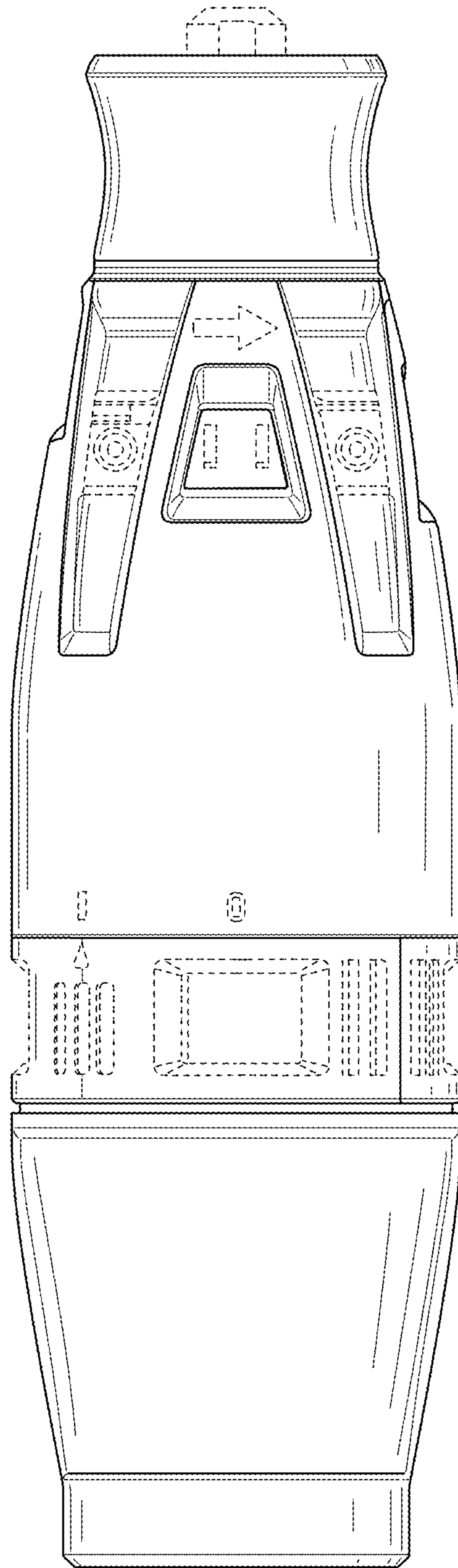


FIG. 3

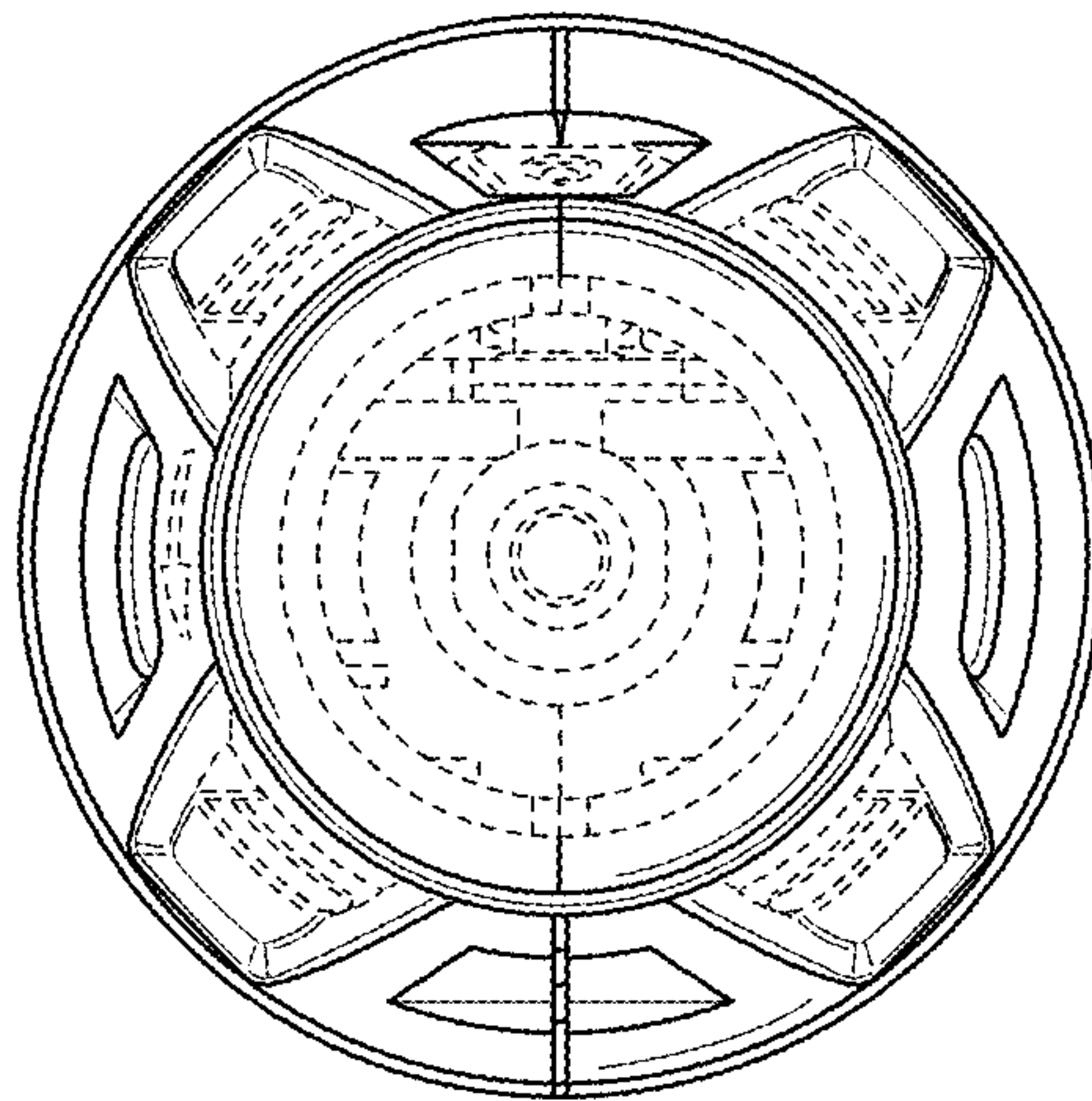


FIG. 4

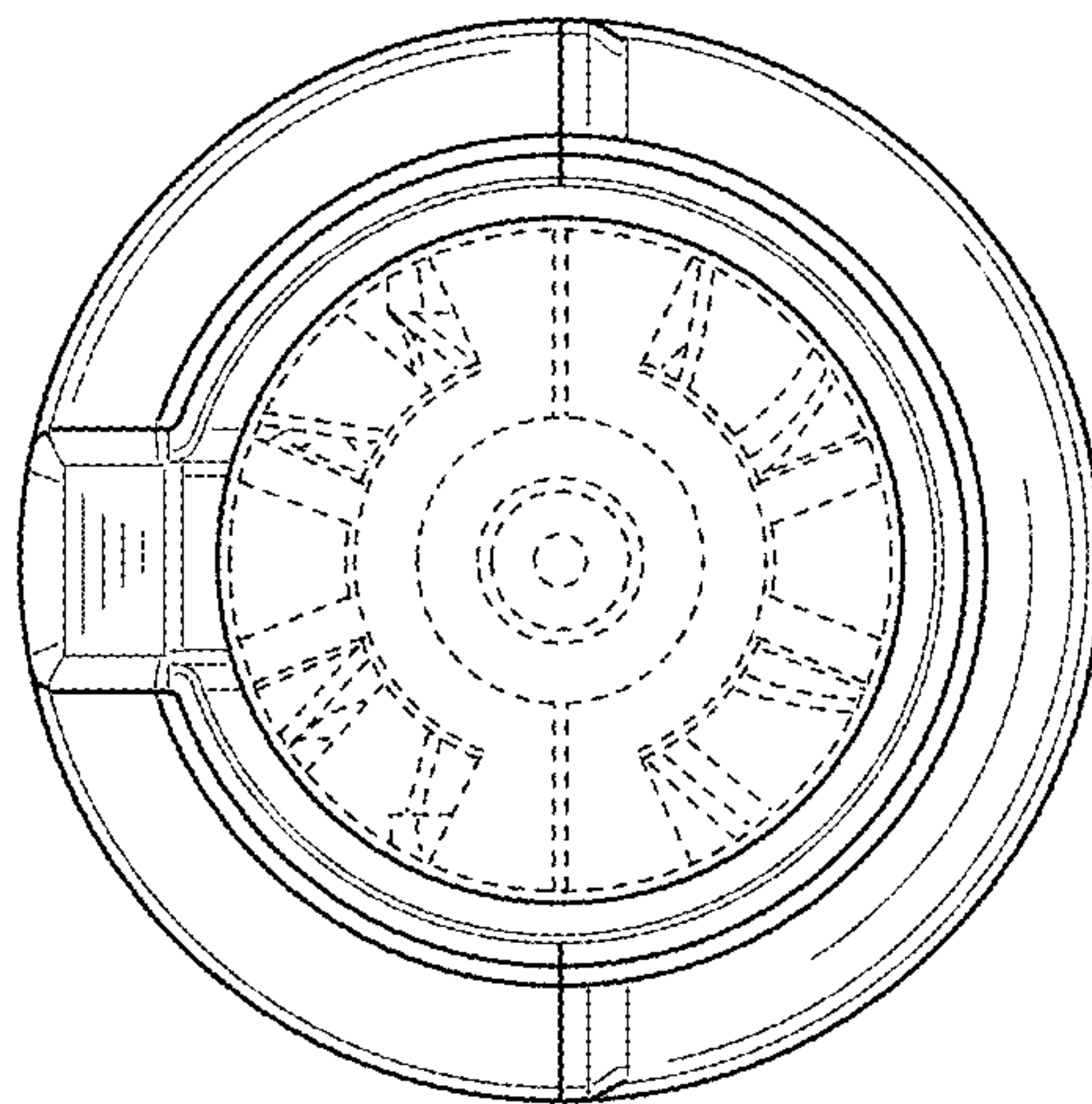


FIG. 5

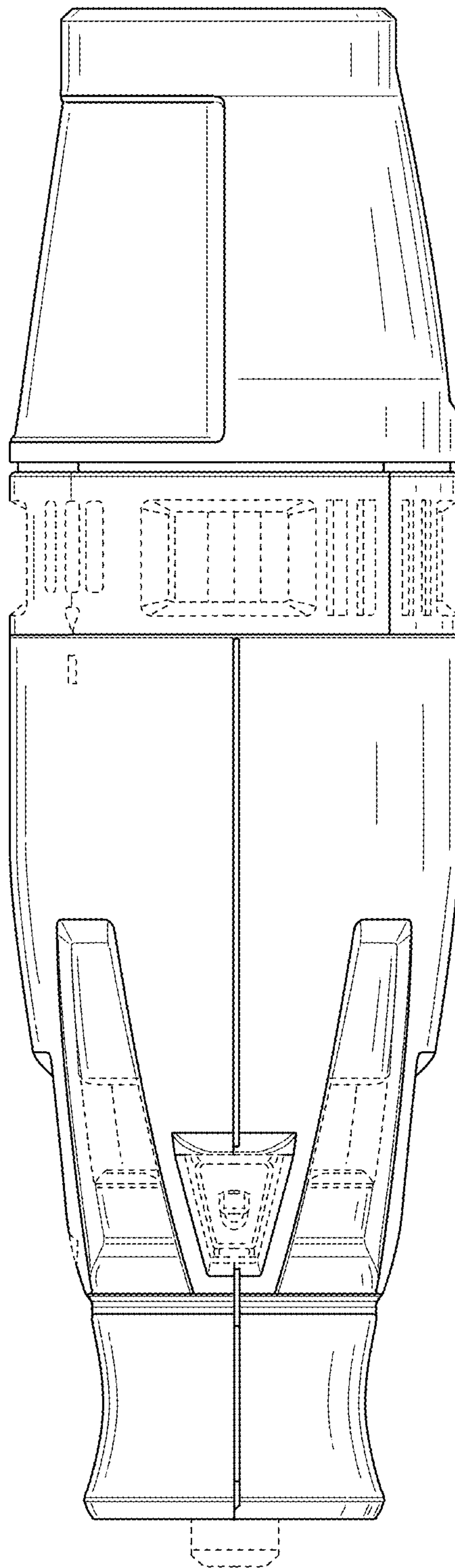


FIG. 6

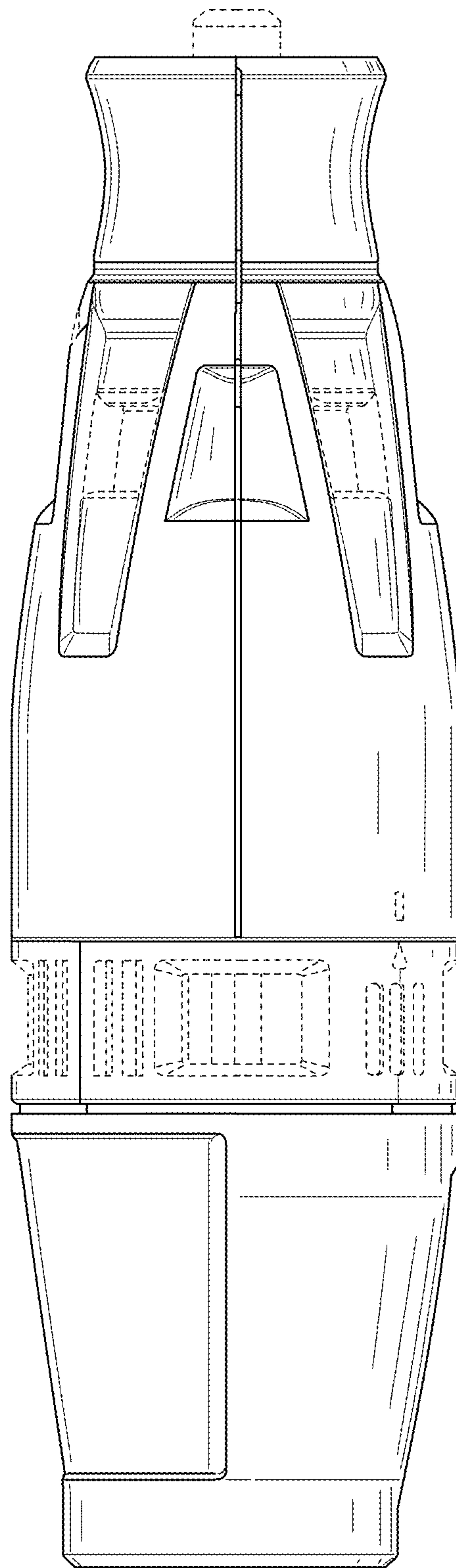


FIG. 7

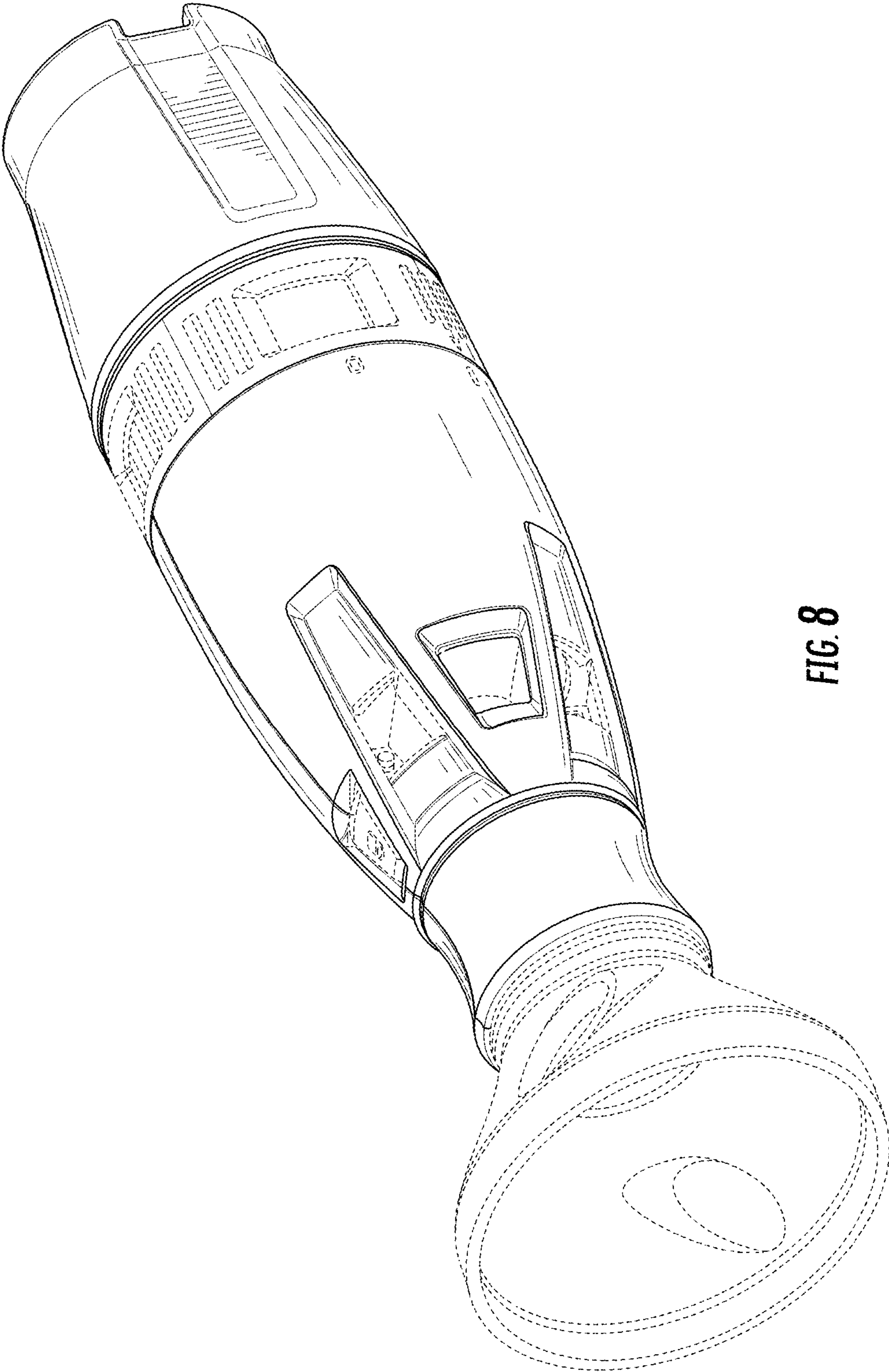


FIG. 8

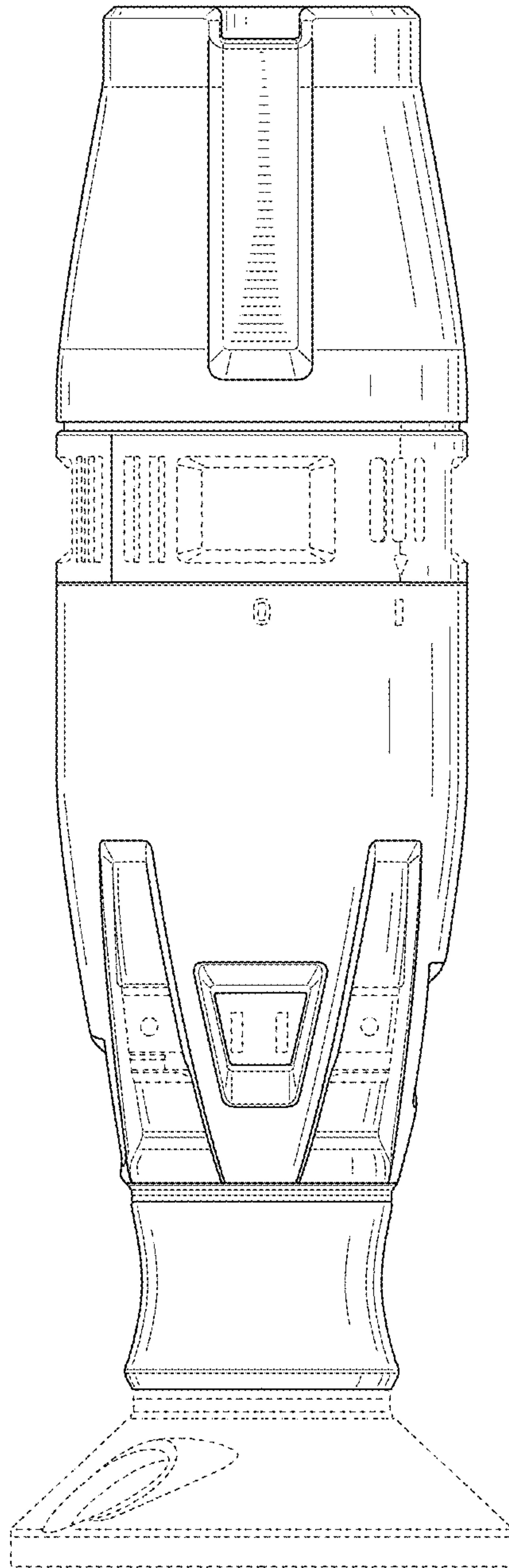


FIG. 9

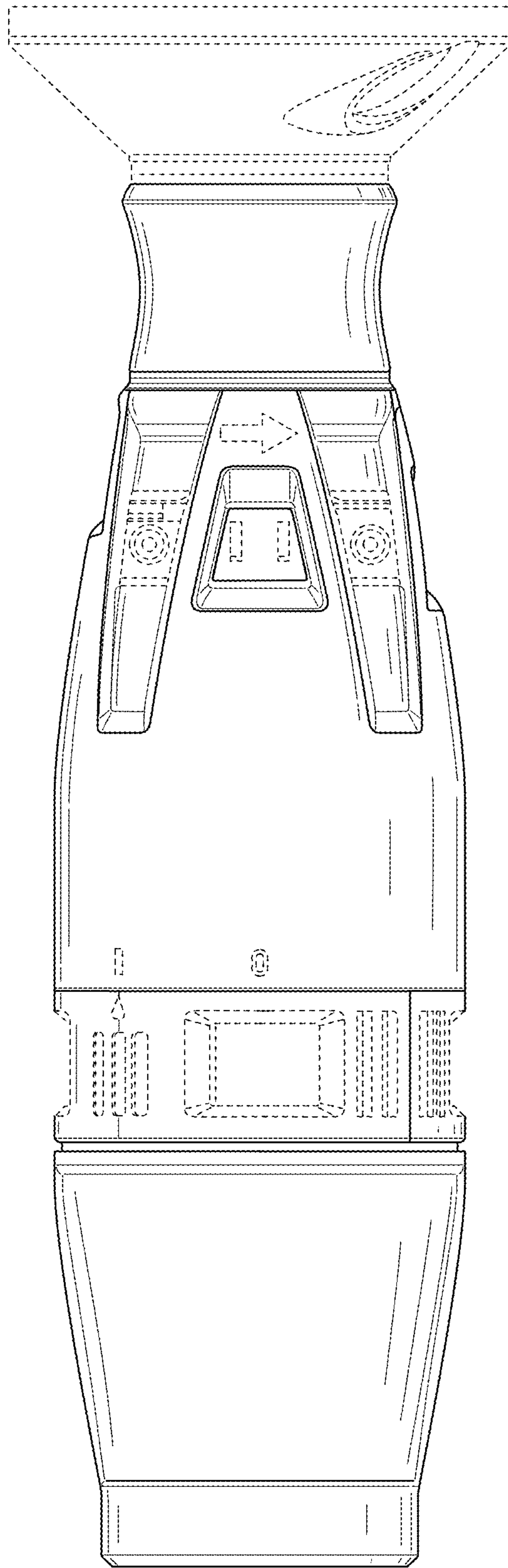


FIG. 10

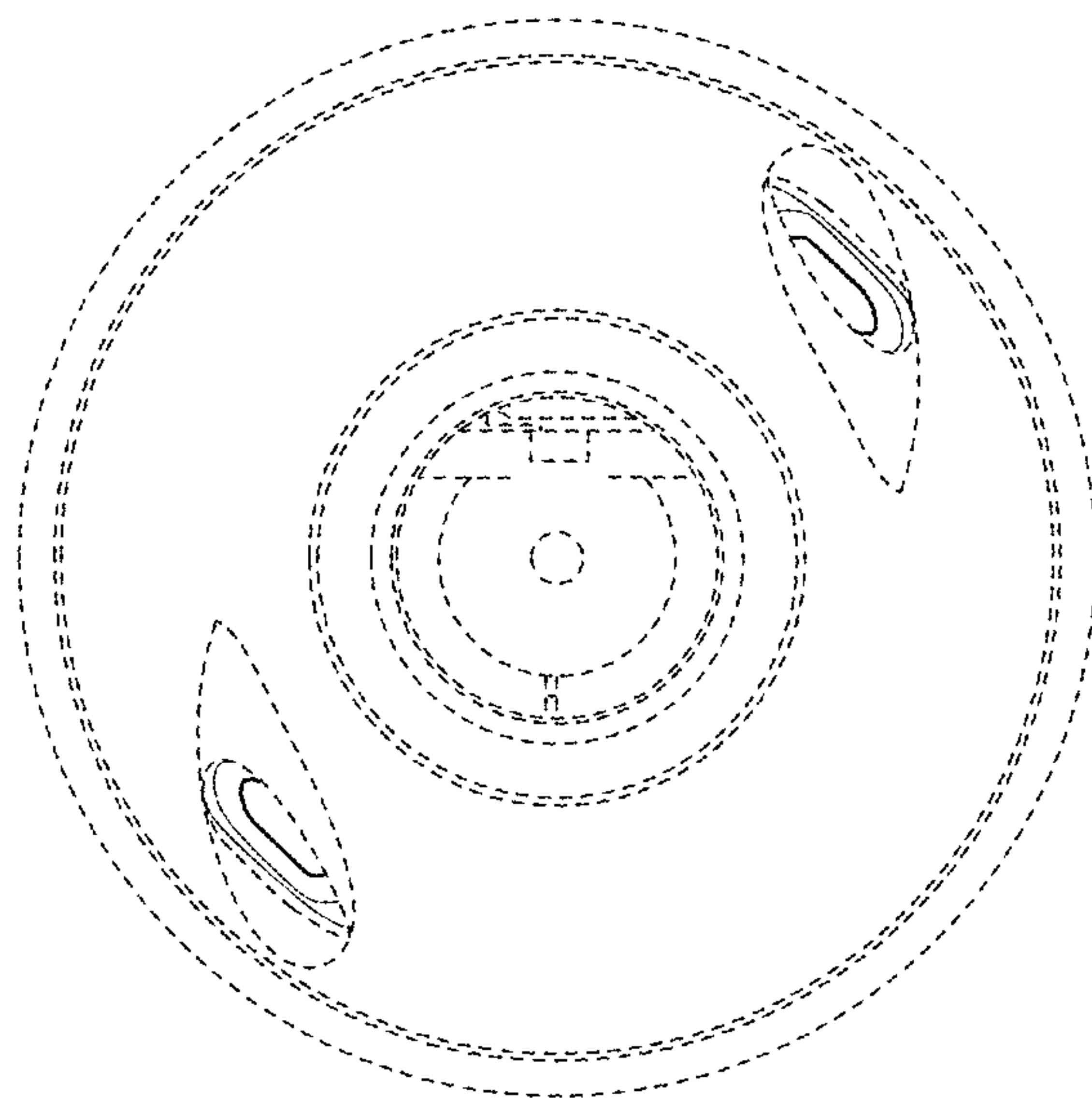


FIG. 11

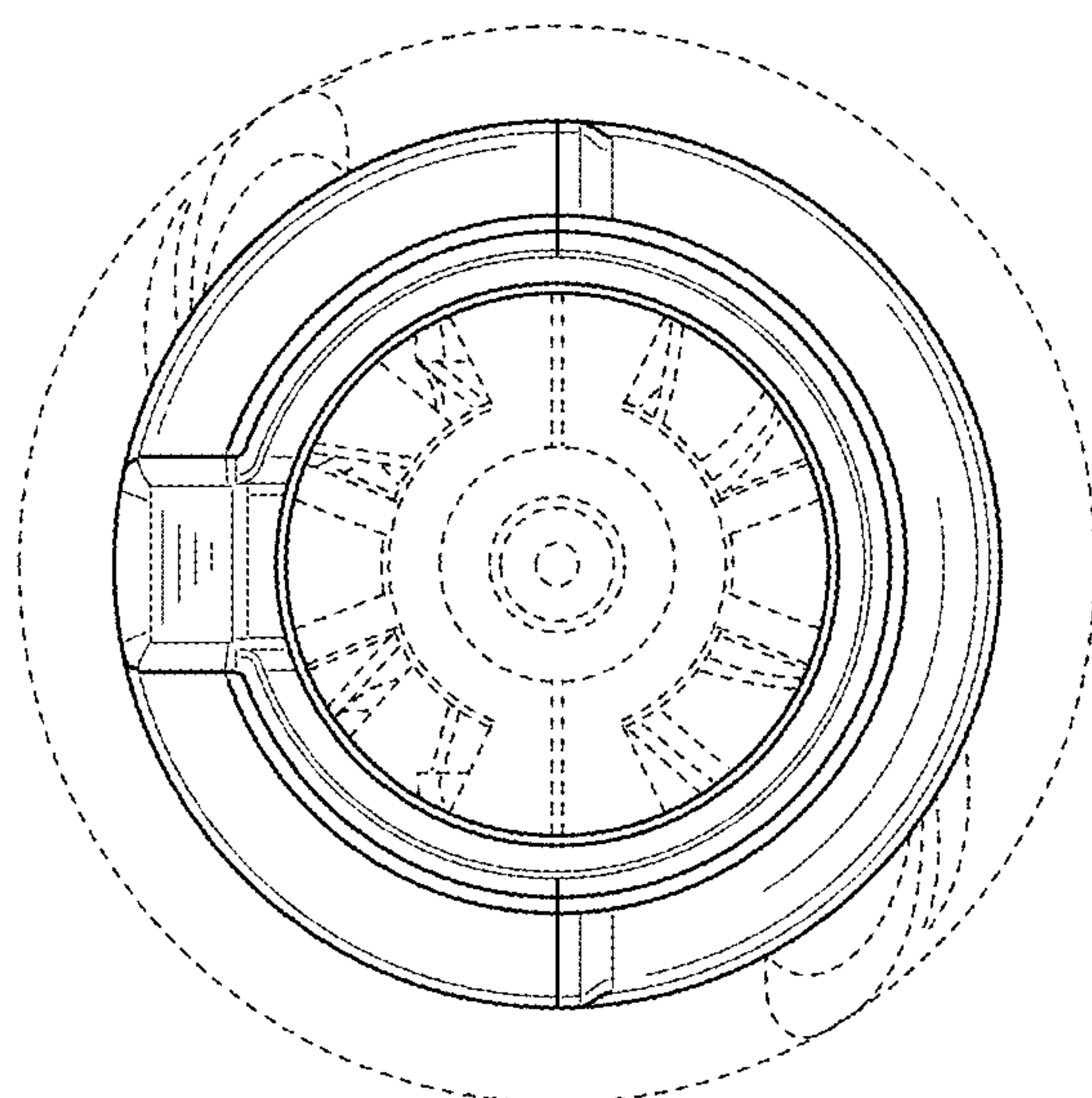


FIG. 12

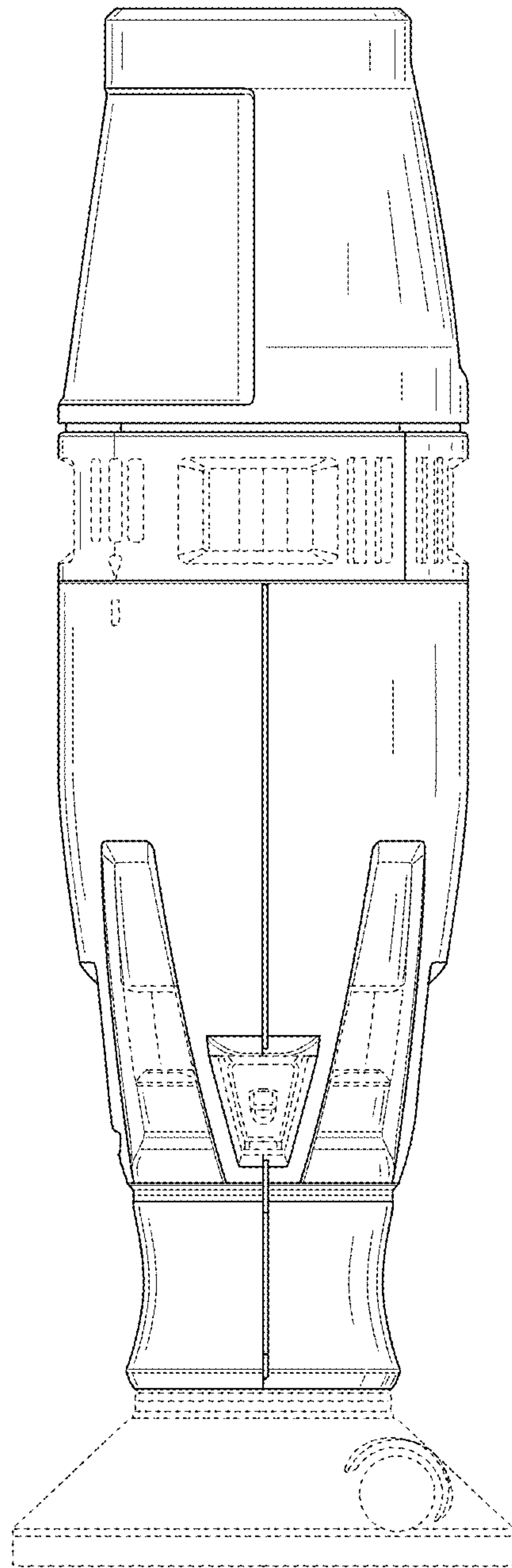


FIG. 13

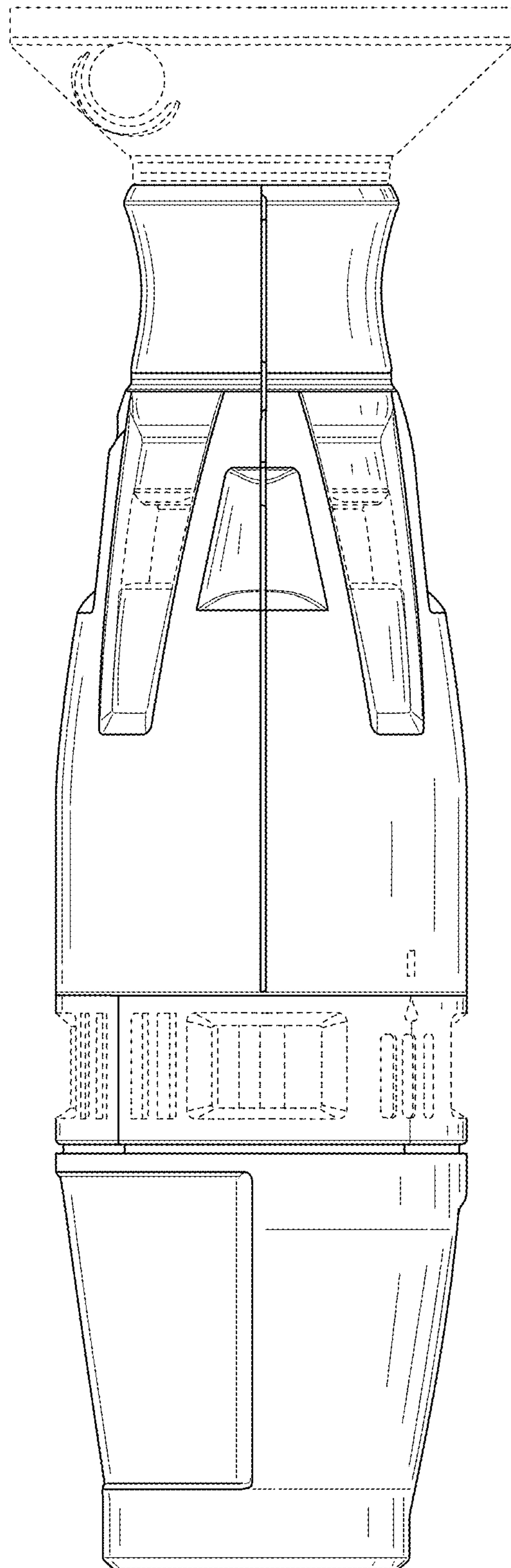


FIG. 14