



US00D768451S

(12) **United States Design Patent**
Persson et al.

(10) **Patent No.:** **US D768,451 S**
(45) **Date of Patent:** **** Oct. 11, 2016**

(54) **HAND OPERATED CRIMPING TOOL**

(71) Applicant: **Pressmaster AB, Älvdalen (SE)**

(72) Inventors: **Lars-Olov Persson, Älvdalen (SE);
Daniel Ullbors, Mora (SE)**

(73) Assignee: **Pressmaster AB, Älvdalen (SE)**

(**) Term: **14 Years**

(21) Appl. No.: **29/507,623**

(22) Filed: **Oct. 29, 2014**

(30) **Foreign Application Priority Data**

Jul. 15, 2014 (EM) 002502708-0001

(51) **LOC (10) Cl.** **08-05**

(52) **U.S. Cl.**
USPC **D8/52**

(58) **Field of Classification Search**
USPC D8/4, 5, 51-56
CPC Y10T 29/53226; Y10T 29/539; H01R
43/042; H01R 43/0421; H01R 43/15
See application file for complete search history.

(56) **References Cited**

U.S. PATENT DOCUMENTS

D213,848 S * 4/1969 Hindenburg D8/56
D245,751 S * 9/1977 Wiener D8/52

D245,752 S * 9/1977 Wiener D8/52
5,012,666 A * 5/1991 Chen H01R 43/042
29/751
D336,025 S * 6/1993 Steiner D8/52
7,350,393 B2 * 4/2008 Li B25B 7/04
29/751
8,418,519 B2 * 4/2013 Persson B25B 7/00
16/421

* cited by examiner

Primary Examiner — Deanna L Pratt

(74) *Attorney, Agent, or Firm* — Studebaker & Brackett
PC

(57) **CLAIM**

The ornamental design for a hand operated crimping tool, as shown and described.

DESCRIPTION

FIG. 1 is a perspective view showing our new design for a hand operated crimping tool,
FIG. 2 is another perspective view thereof,
FIG. 3 is another perspective view thereof,
FIG. 4 is another perspective view thereof,
FIG. 5 is a front view thereof,
FIG. 6 is a rear view thereof,
FIG. 7 is a right side view thereof,
FIG. 8 is a left side view thereof,
FIG. 9 is a top view thereof; and,
FIG. 10 is a bottom thereof.

1 Claim, 10 Drawing Sheets

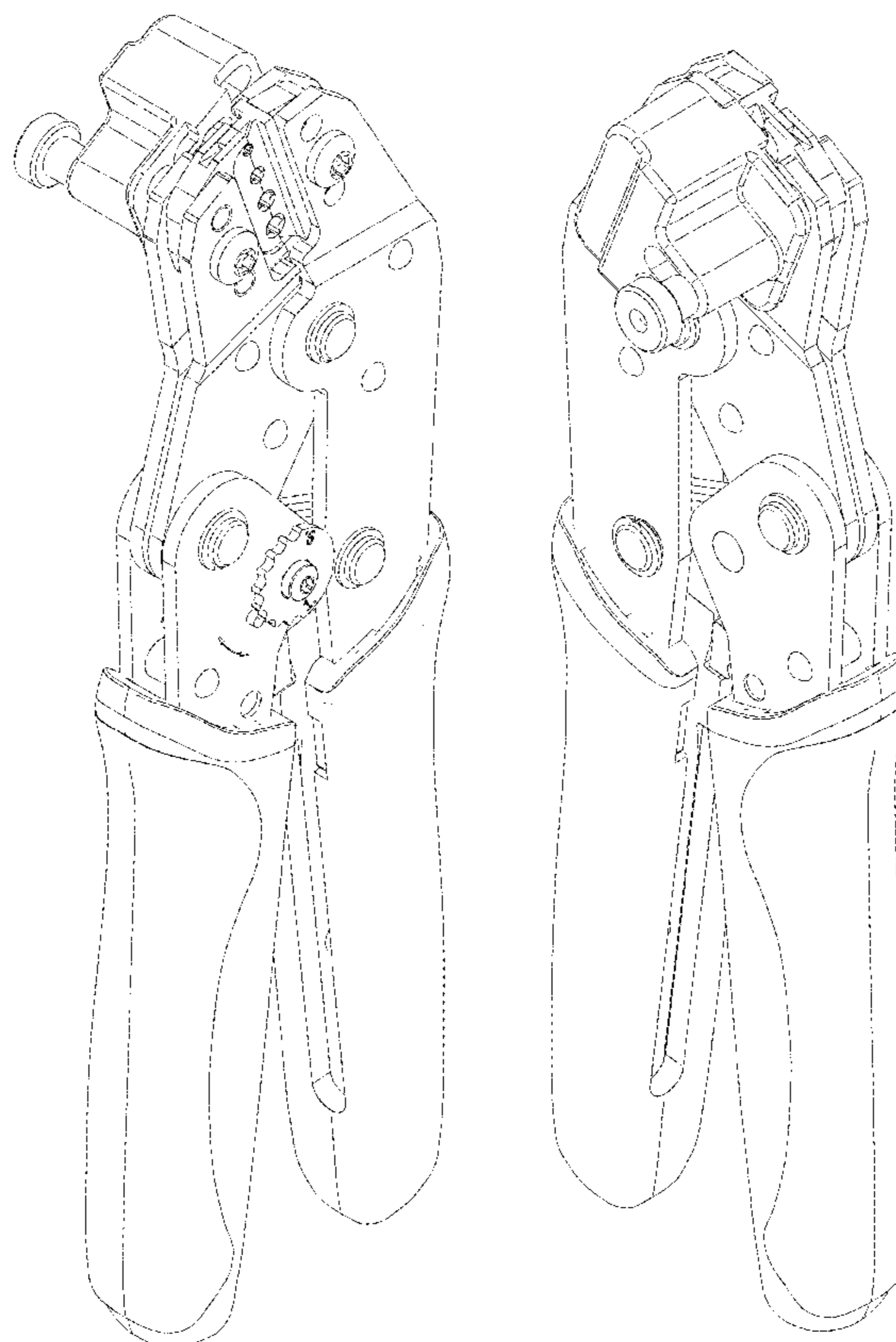


FIG. 1

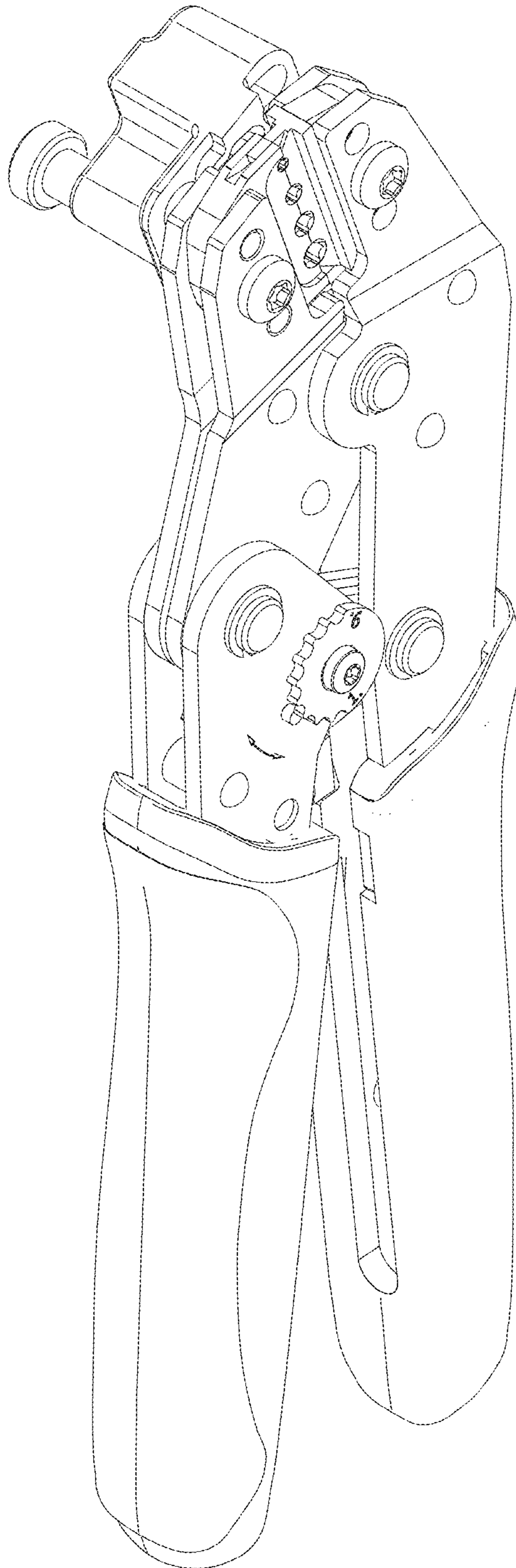


FIG. 2

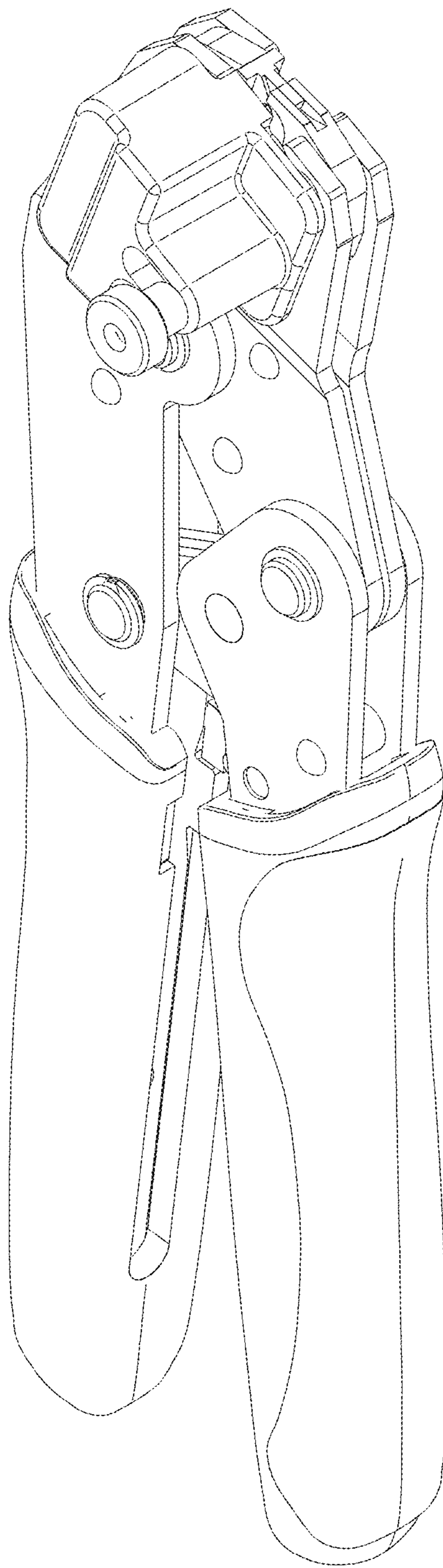


FIG. 3

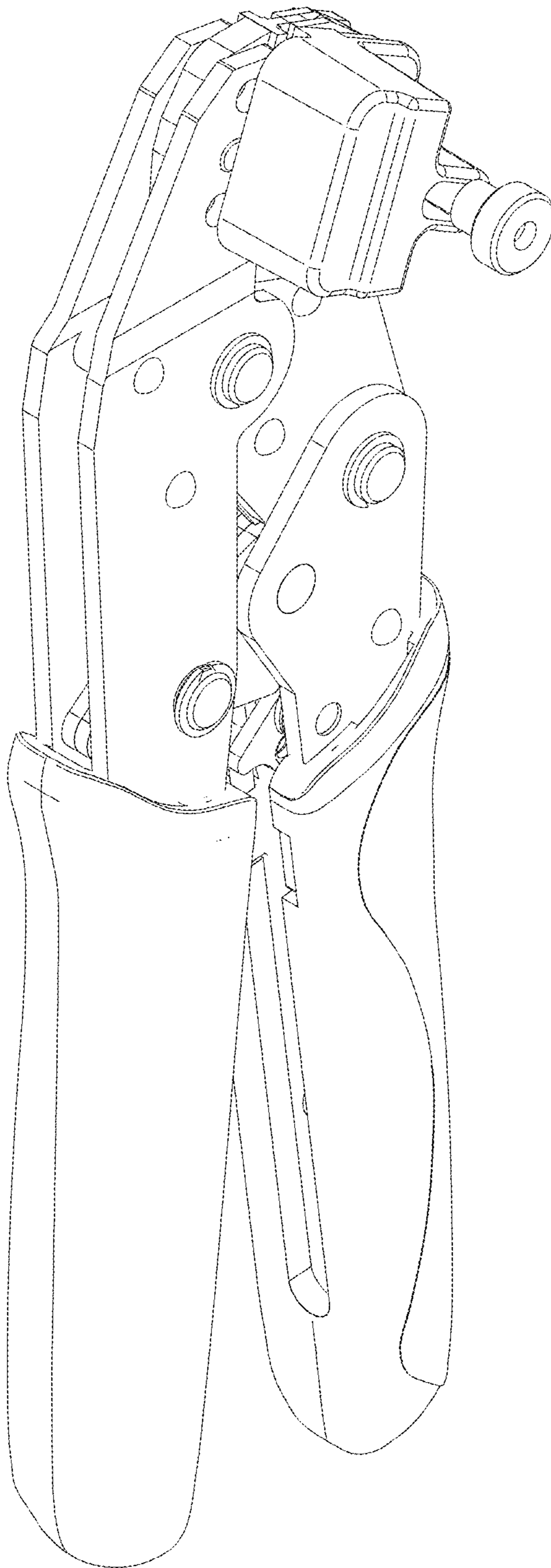


FIG. 4

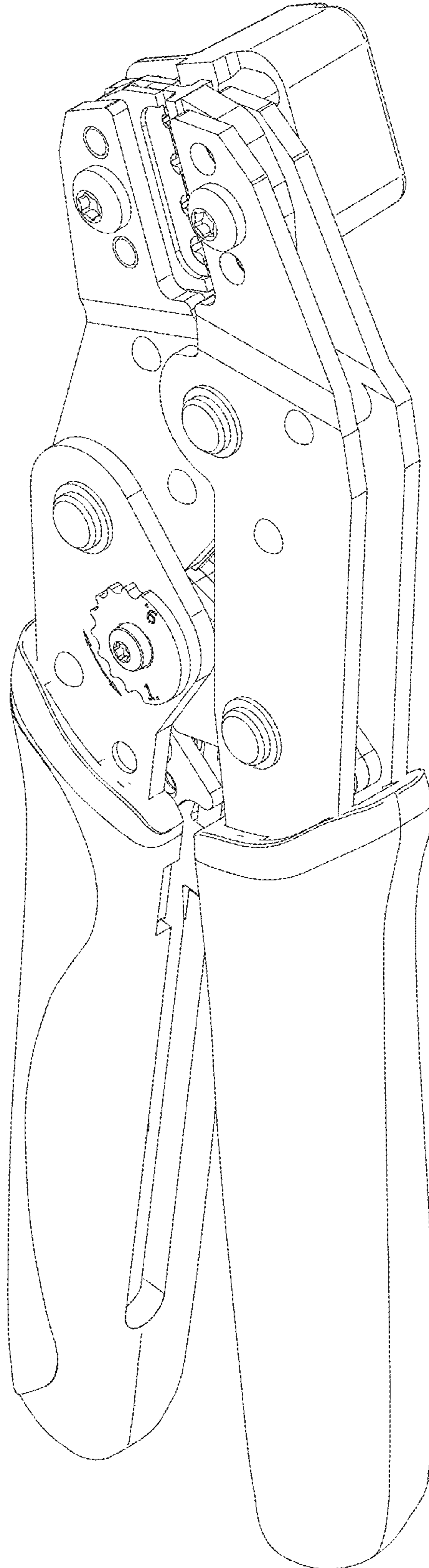


FIG. 5

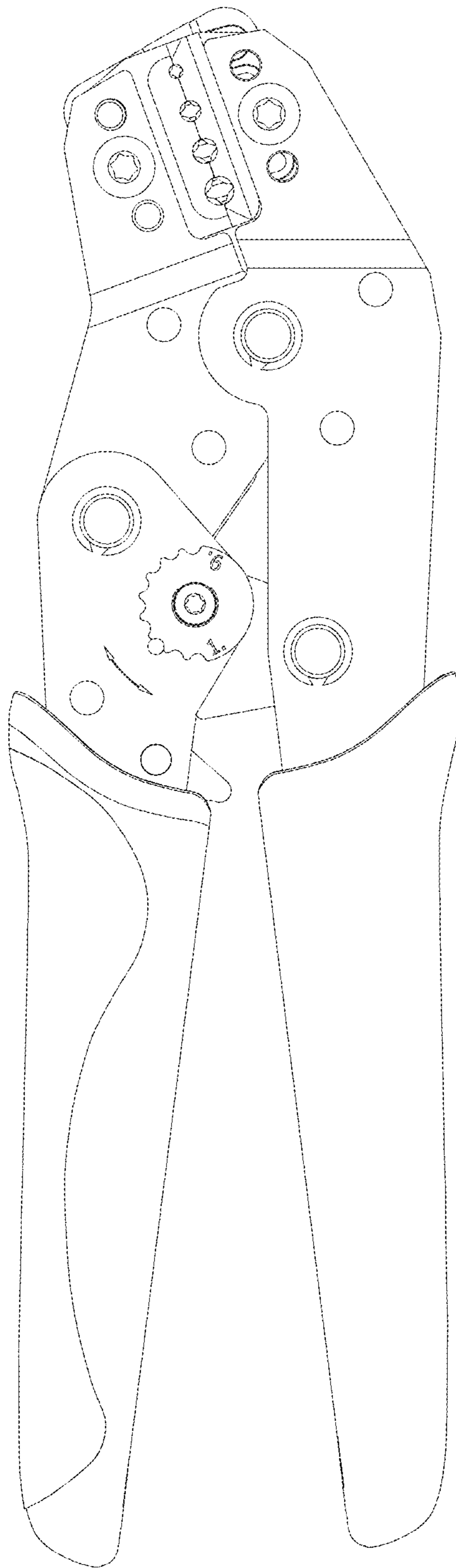


FIG. 6

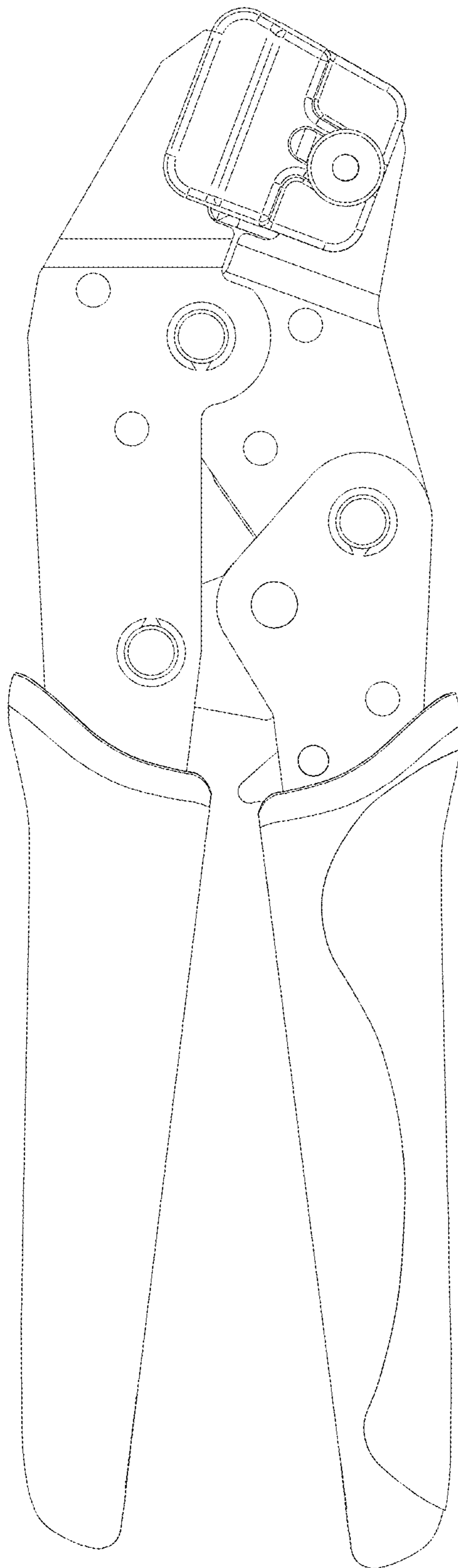
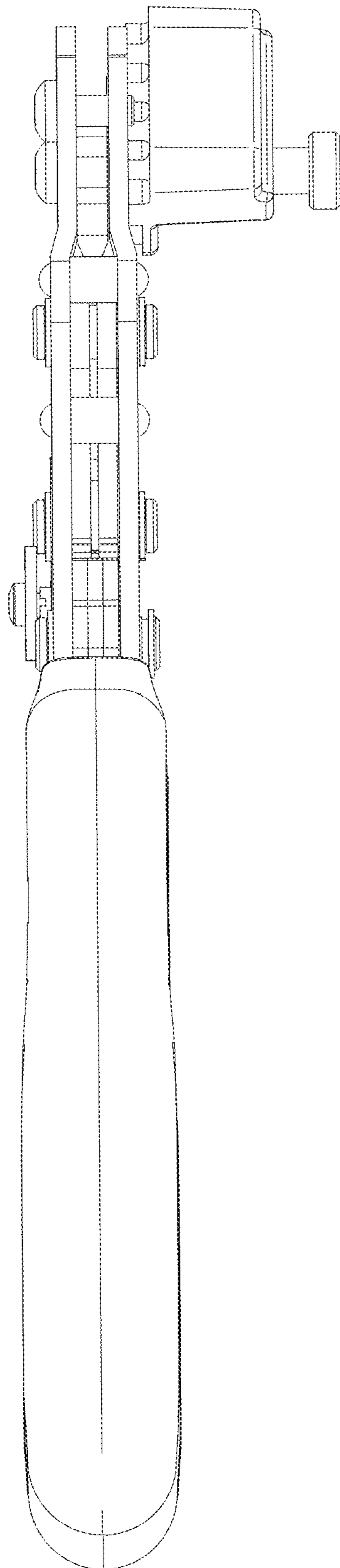


FIG. 7



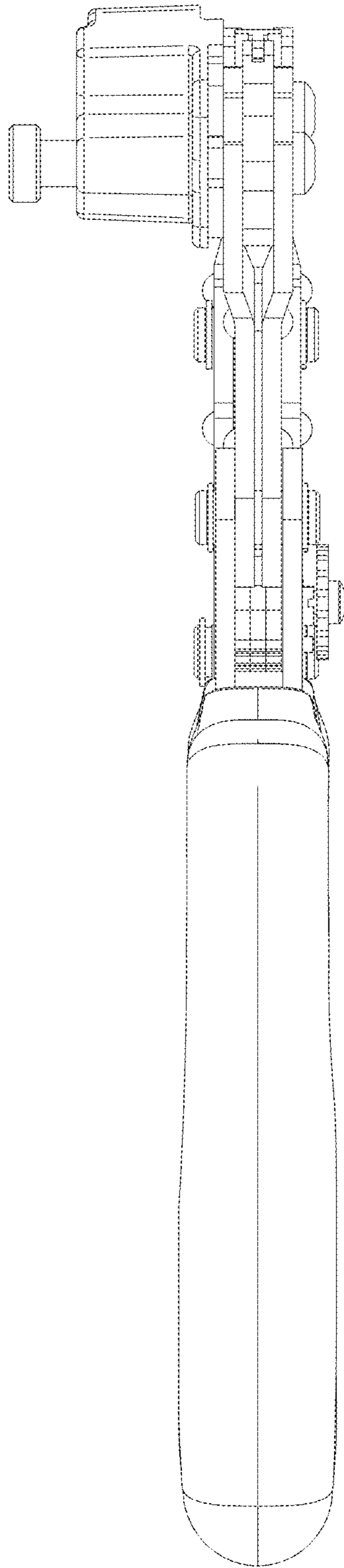


FIG. 8

FIG. 9

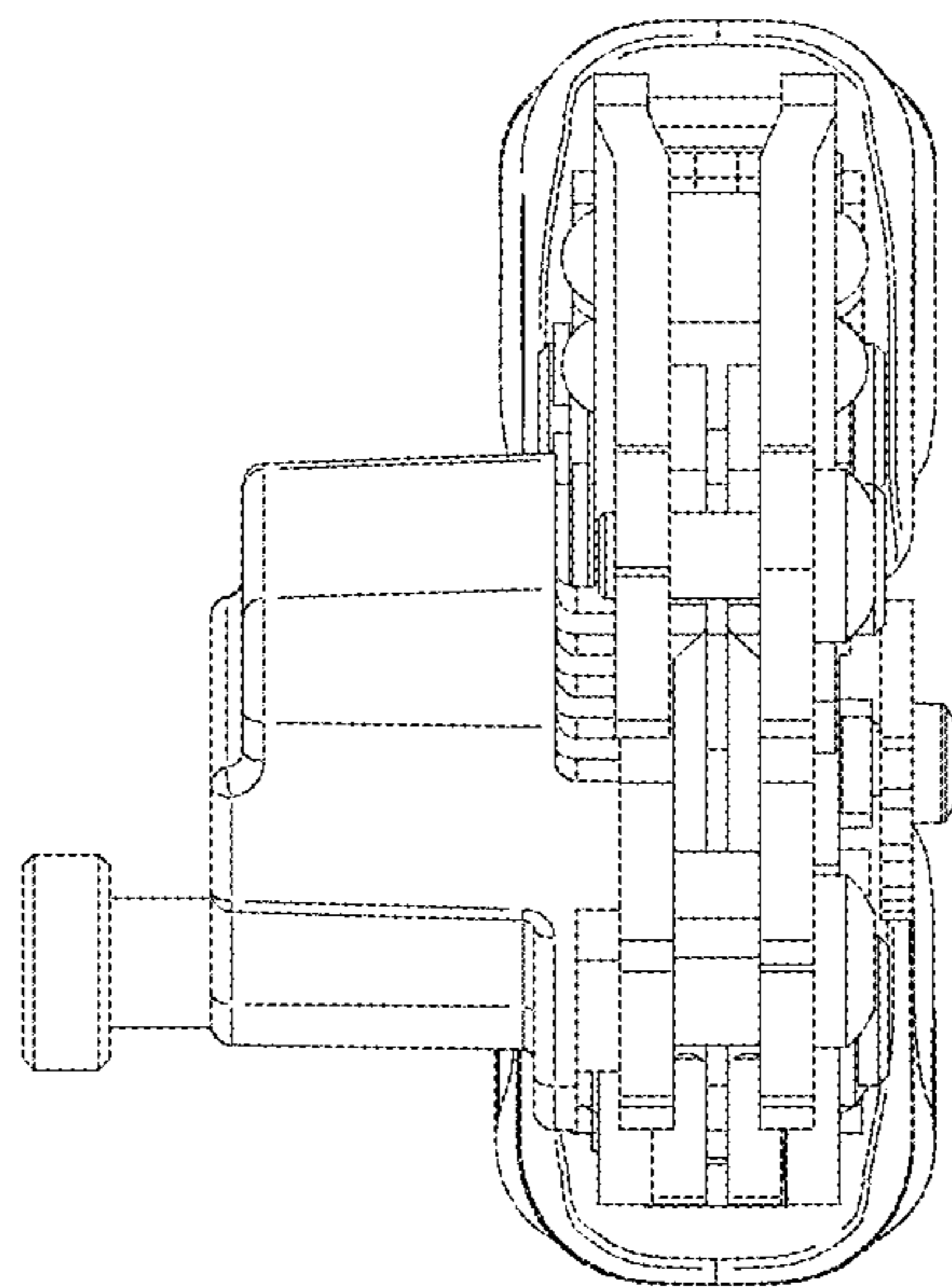


FIG. 10

