



US00D768450S

(12) **United States Design Patent** (10) **Patent No.:** **US D768,450 S**
Reedy (45) **Date of Patent:** **** *Oct. 11, 2016**

(54) **GRIP FOR HAND TOOL**

FOREIGN PATENT DOCUMENTS

- (71) Applicant: **Irwin Industrial Tool Company**,
Huntersville, NC (US)
- (72) Inventor: **Michael H. Reedy**, Portage, MI (US)
- (73) Assignee: **IRWIN INDUSTRIAL TOOL COMPANY**,
Huntersville, NC (US)
- (*) Notice: This patent is subject to a terminal disclaimer.

DE	19955276	10/2000
DE	000715230-0002	6/2007
DE	000715230-0003	6/2007
DE	000715230-0004	6/2007
DE	000951009-0001	6/2008
DE	102007044118	3/2009
DE	102009021809	11/2010
DE	001849902-0001	4/2011
DE	001849902-0003	4/2011
DE	19928837	11/2012
DE	002193573-0001	2/2013

(**) Term: **14 Years**

OTHER PUBLICATIONS

- (21) Appl. No.: **29/483,555**
- (22) Filed: **Feb. 28, 2014**
- (51) **LOC (10) Cl.** **08-05**
- (52) **U.S. Cl.**
USPC **D8/52**
- (58) **Field of Classification Search**
USPC D8/4, 51-56, 58, 71, 81, 104-107;
81/385, 405, 407-409, 411, 415-418,
81/326, 424.5, 427.5, 426, 427, 300, 318,
81/329, 342, 393; D22/150
CPC B25B 7/00; B25B 7/02; B25B 7/08;
H02G 1/1202; H02G 1/1234; H02G 1/1212;
H02G 1/1204
See application file for complete search history.

Design U.S. Appl. No. 29/483,556, filed Feb. 28, 2014, entitled "Grip for Hand Tool," Inventor: Michael H. Reedy.

Primary Examiner — Ian Simmons
Assistant Examiner — Harold Blackwell, II

(57) **CLAIM**

The ornamental design for a "grip for hand tool," as shown and described.

DESCRIPTION

FIG. 1 is a perspective view of the grip for a hand tool; FIG. 2 is a front view of the grip for a hand tool; FIG. 3 is a rear view of the grip for a hand tool; FIG. 4 is a right side view of the grip for a hand tool; FIG. 5 is a left side view of the grip for a hand tool; FIG. 6 is a bottom view of the grip for a hand tool; FIG. 7 is a top view of the grip for a hand tool; and, FIG. 8 is a perspective view of the grip for a hand tool. The head of the hand tool shown in broken lines illustrates the unclaimed environment of the claimed design. The remaining broken lines in the drawings illustrate portions of the grip for hand tool which form no part of the claimed design.

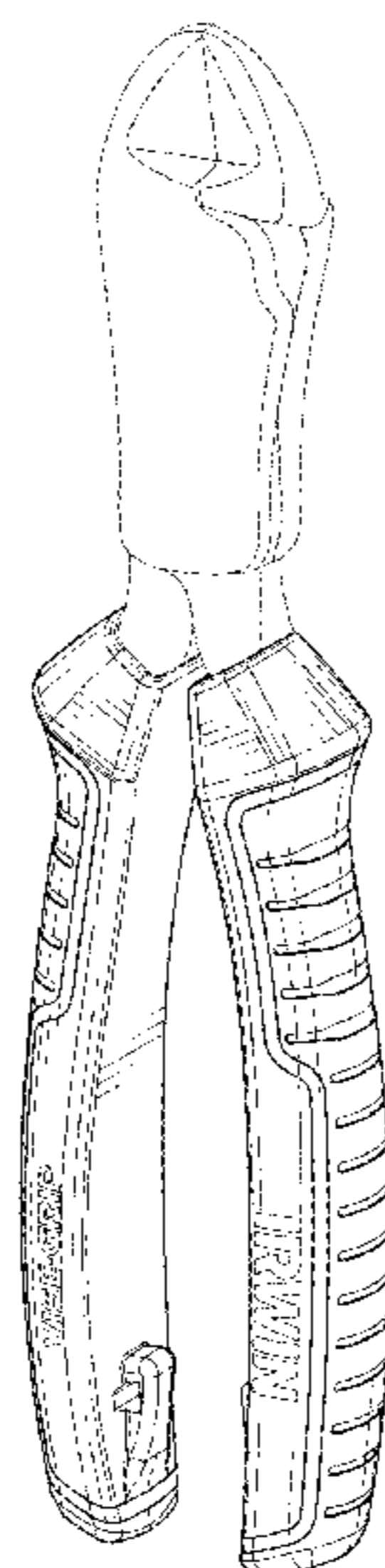
(56) **References Cited**

U.S. PATENT DOCUMENTS

D262,090 S	*	12/1981	Wahlberg	D8/58
D299,108 S	*	12/1988	Brdnik	D8/107
D464,554 S	*	10/2002	Chen	D8/107
D494,040 S	*	8/2004	Phillips	D8/107
D532,267 S	*	11/2006	Chen	D8/52
D544,770 S	*	6/2007	Yang	D8/52
D577,563 S	*	9/2008	Chen	D8/107
D577,981 S	*	10/2008	Peterson et al.	D8/107

(Continued)

1 Claim, 7 Drawing Sheets



US D768,450 S

Page 2

(56)

References Cited

U.S. PATENT DOCUMENTS

D600,092 S *	9/2009	Peterson et al.	D8/107	D619,870 S *	7/2010	Garcia et al.	D8/107
D618,980 S *	7/2010	Wang	D8/107	D679,976 S *	4/2013	Chiu	D8/107
D619,869 S *	7/2010	Garcia et al.	D8/107	D680,398 S *	4/2013	Ritter	D8/52
				2009/0049960 A1 *	2/2009	Heinsohn	81/416

* cited by examiner

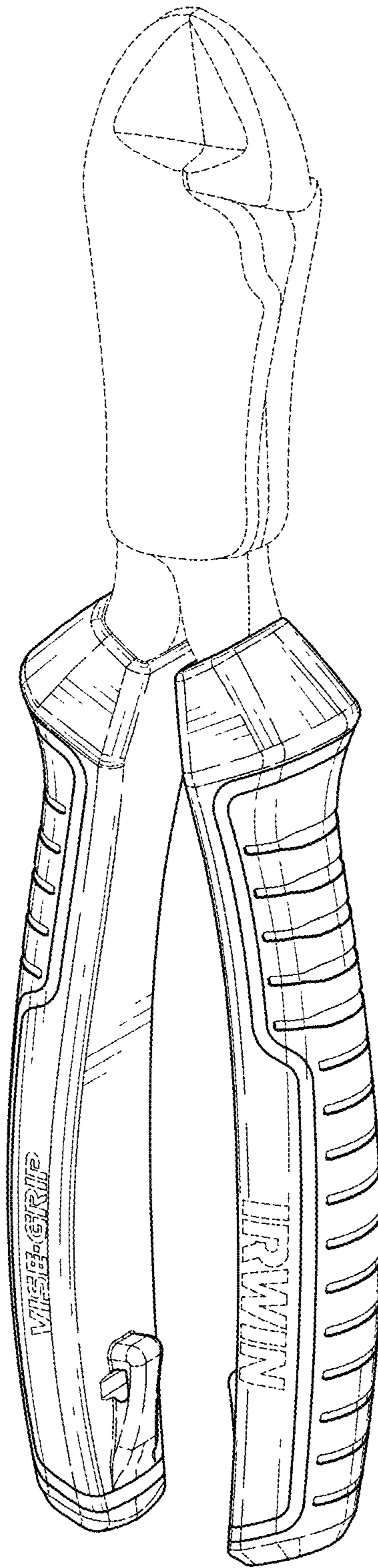


FIG. 1

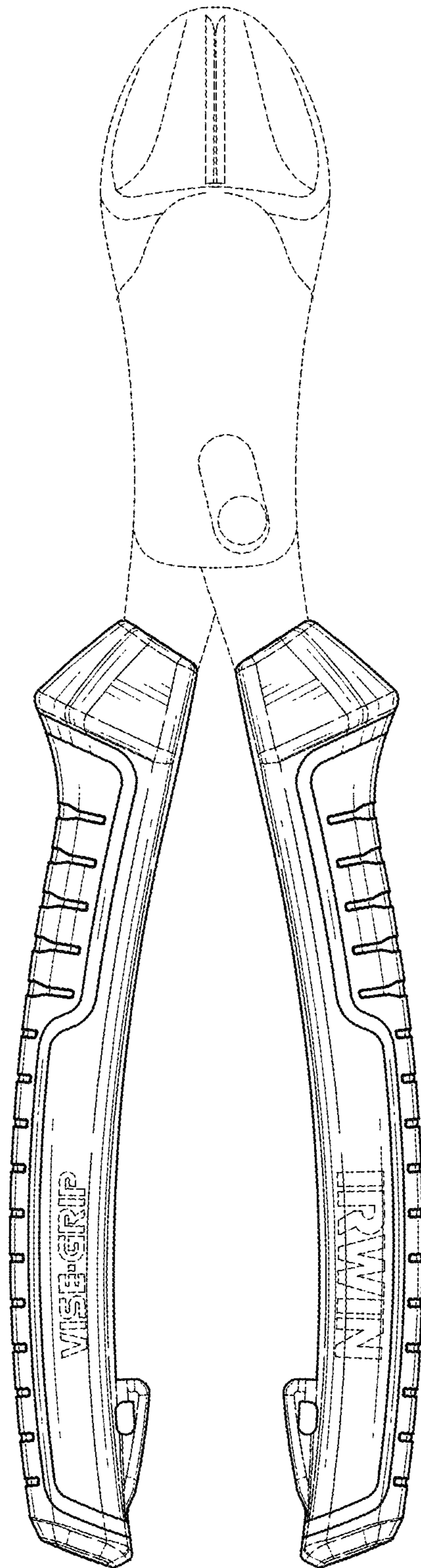


FIG. 2

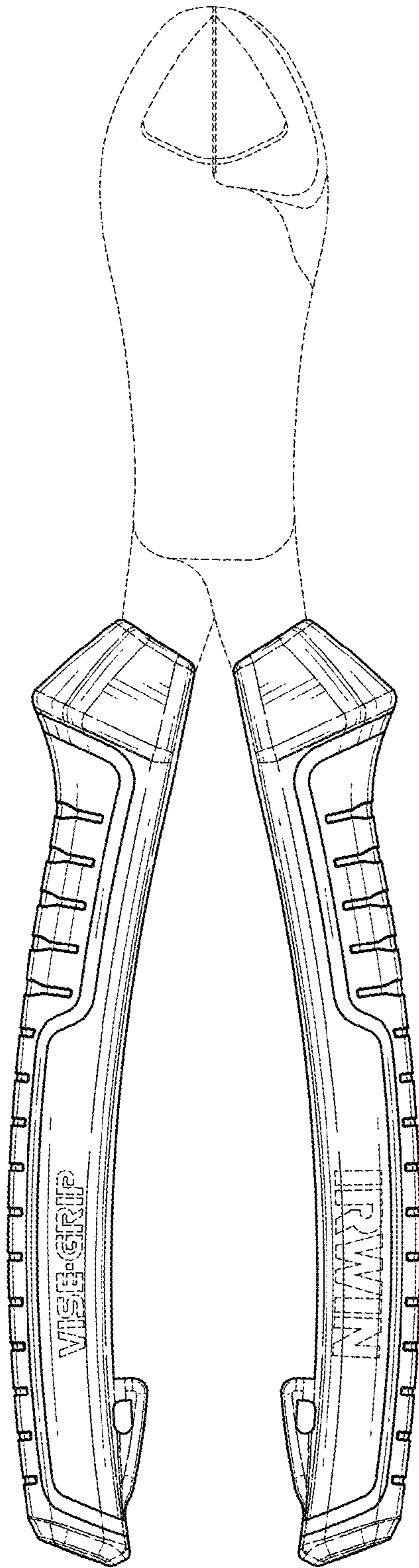


FIG. 3

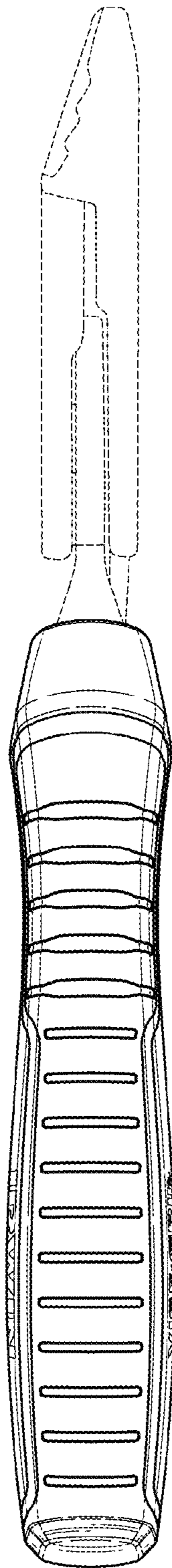


FIG. 4

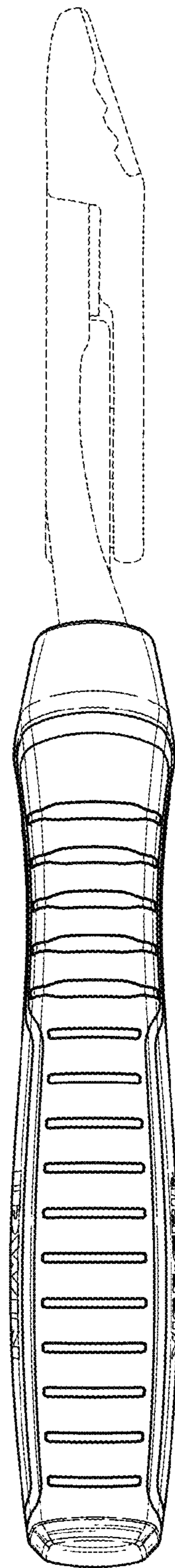


FIG. 5

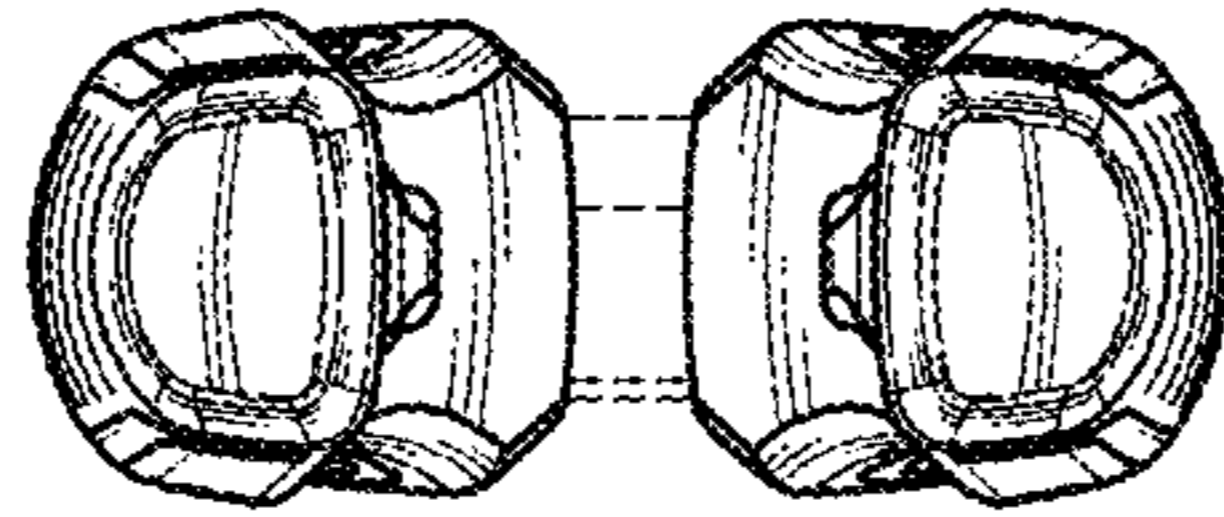


FIG. 6

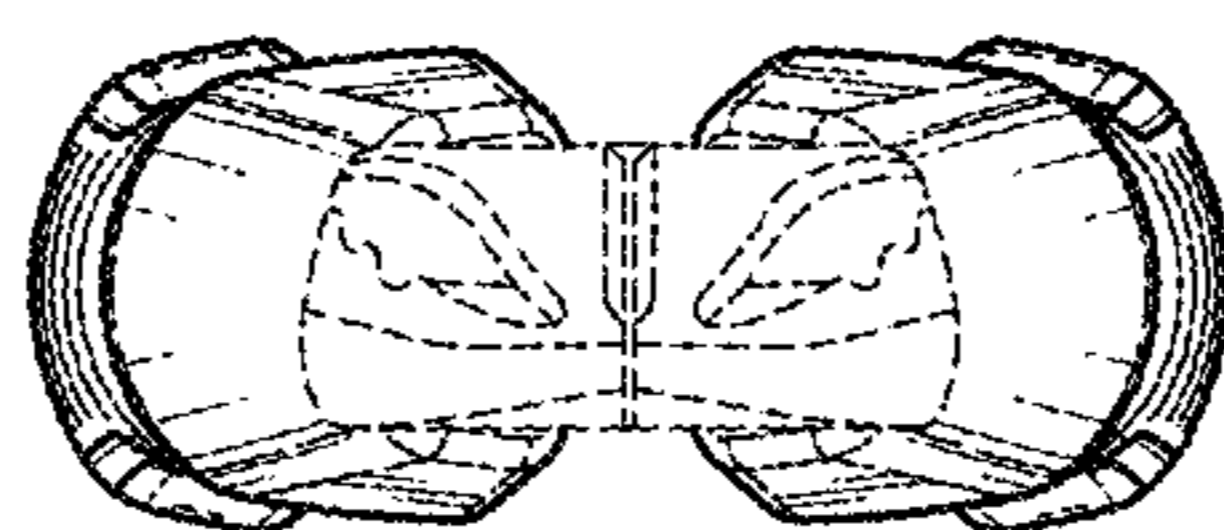


FIG. 7

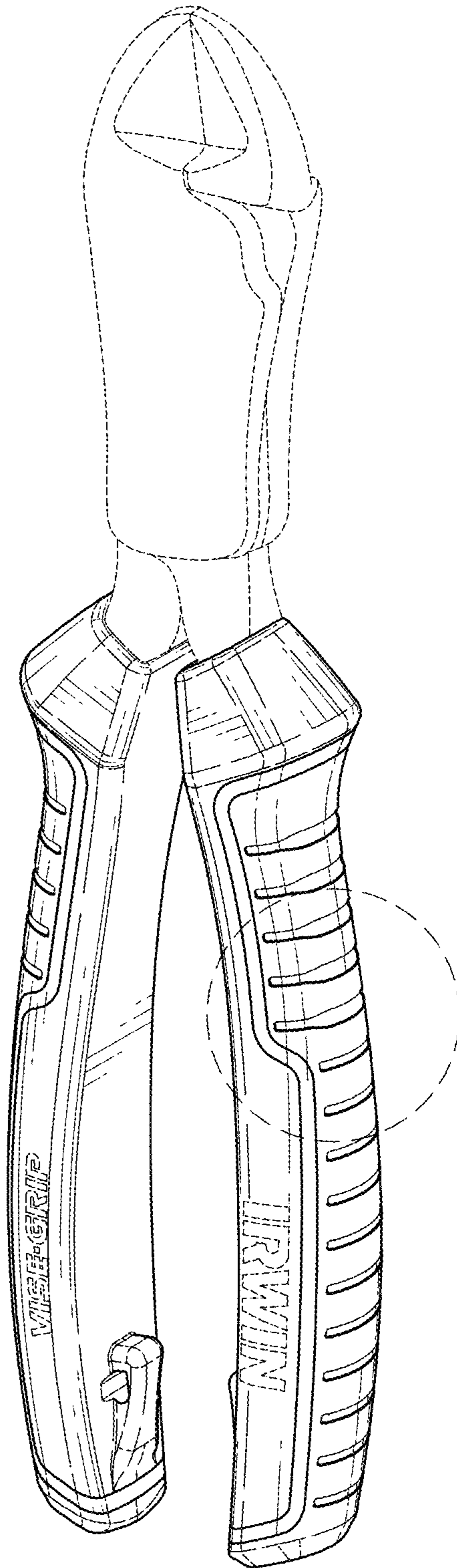


FIG. 8