



US00D768449S

(12) **United States Design Patent** (10) **Patent No.:** **US D768,449 S**  
**Li et al.** (45) **Date of Patent:** **\*\* Oct. 11, 2016**

(54) **STAPLE GUN**  
(71) Applicant: **Isaberg Rapid AB**, Hestra (SE)  
(72) Inventors: **Jiajia Li**, Shanghai (CN); **Yunlong Jiang**, Shanghai (CN)  
(73) Assignee: **Isaberg Rapid AB**, Hestra (SE)  
(\*\*) Term: **14 Years**  
(21) Appl. No.: **29/494,093**  
(22) Filed: **Jun. 17, 2014**  
(51) **LOC (10) Cl.** ..... **19-02**  
(52) **U.S. Cl.**  
USPC ..... **D8/49**  
(58) **Field of Classification Search**  
USPC ..... D8/48, 49, 50, 61, 68, 69, 70; D19/72,  
D19/73, 65, 69; D21/532; D24/145; 7/158,  
7/160; 227/4, 5, 6, 7, 8, 120, 127, 128,  
227/131, 132, 134, 144, 156, 175.1;  
606/139, 143, 153, 219  
CPC ..... B25C 5/0242; B25C 5/0285; B25C 5/11;  
B27F 5/17; B26F 1/36  
See application file for complete search history.

(56) **References Cited**  
U.S. PATENT DOCUMENTS  
D517,385 S \* 3/2006 Arns ..... D8/49  
D518,695 S \* 4/2006 Hu ..... D8/49  
D531,469 S \* 11/2006 Osberg ..... D8/49  
D553,459 S \* 10/2007 Shor ..... D8/49  
D553,460 S \* 10/2007 Shor ..... D8/49

D568,129 S \* 5/2008 Arns ..... D8/49  
D568,130 S \* 5/2008 Arns ..... D8/49  
D604,576 S \* 11/2009 Betsalel ..... D8/49  
D620,330 S \* 7/2010 Krumpe ..... D8/49  
D620,331 S \* 7/2010 Krumpe ..... D8/49  
D630,073 S \* 1/2011 Krumpe ..... D8/49  
D655,587 S \* 3/2012 Walters ..... D8/49  
D655,588 S \* 3/2012 Pennington ..... D8/49  
D667,712 S \* 9/2012 Walters ..... D8/49  
D668,125 S \* 10/2012 Pennington ..... D8/49  
D689,753 S \* 9/2013 Yoo ..... D8/49  
D723,894 S \* 3/2015 Genord ..... D8/49  
D727,125 S \* 4/2015 Genord ..... D8/49

\* cited by examiner

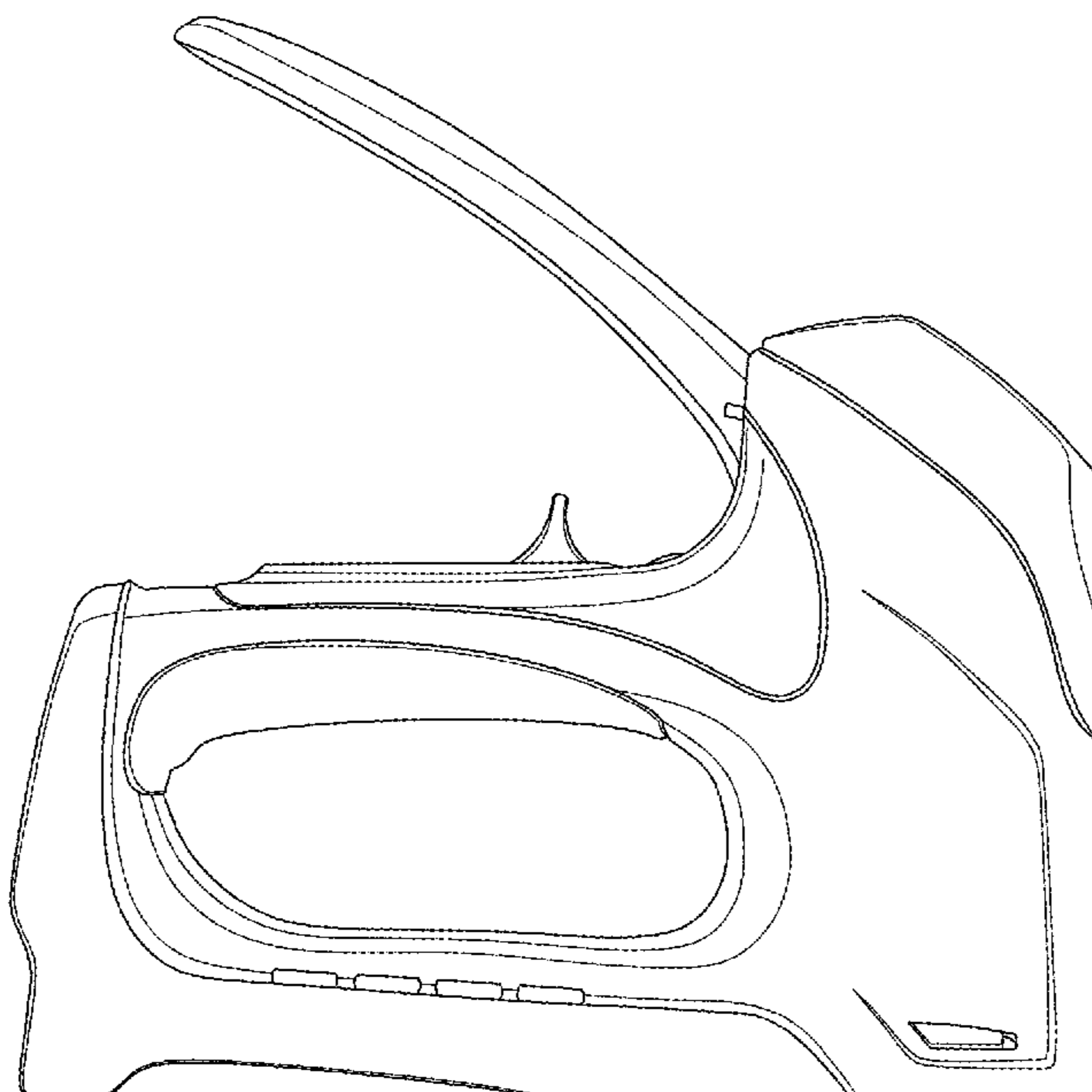
*Primary Examiner* — Austin Murphy  
(74) *Attorney, Agent, or Firm* — Shapiro, Gabor and Rosenberger, PLLC

(57) **CLAIM**  
The ornamental design for a staple gun, as shown and described.

**DESCRIPTION**

FIG. 1 is a front, left-side perspective view of a staple gun showing the new design;  
FIG. 2 is a right side view thereof;  
FIG. 3 is a rear view thereof;  
FIG. 4 is a left side view thereof;  
FIG. 5 is a front view thereof;  
FIG. 6 is a top view thereof; and,  
FIG. 7 is a bottom view thereof.  
The broken line showing in FIGS. 3 and 7 is for the purpose of illustration and forms no part of the claimed design.

**1 Claim, 7 Drawing Sheets**



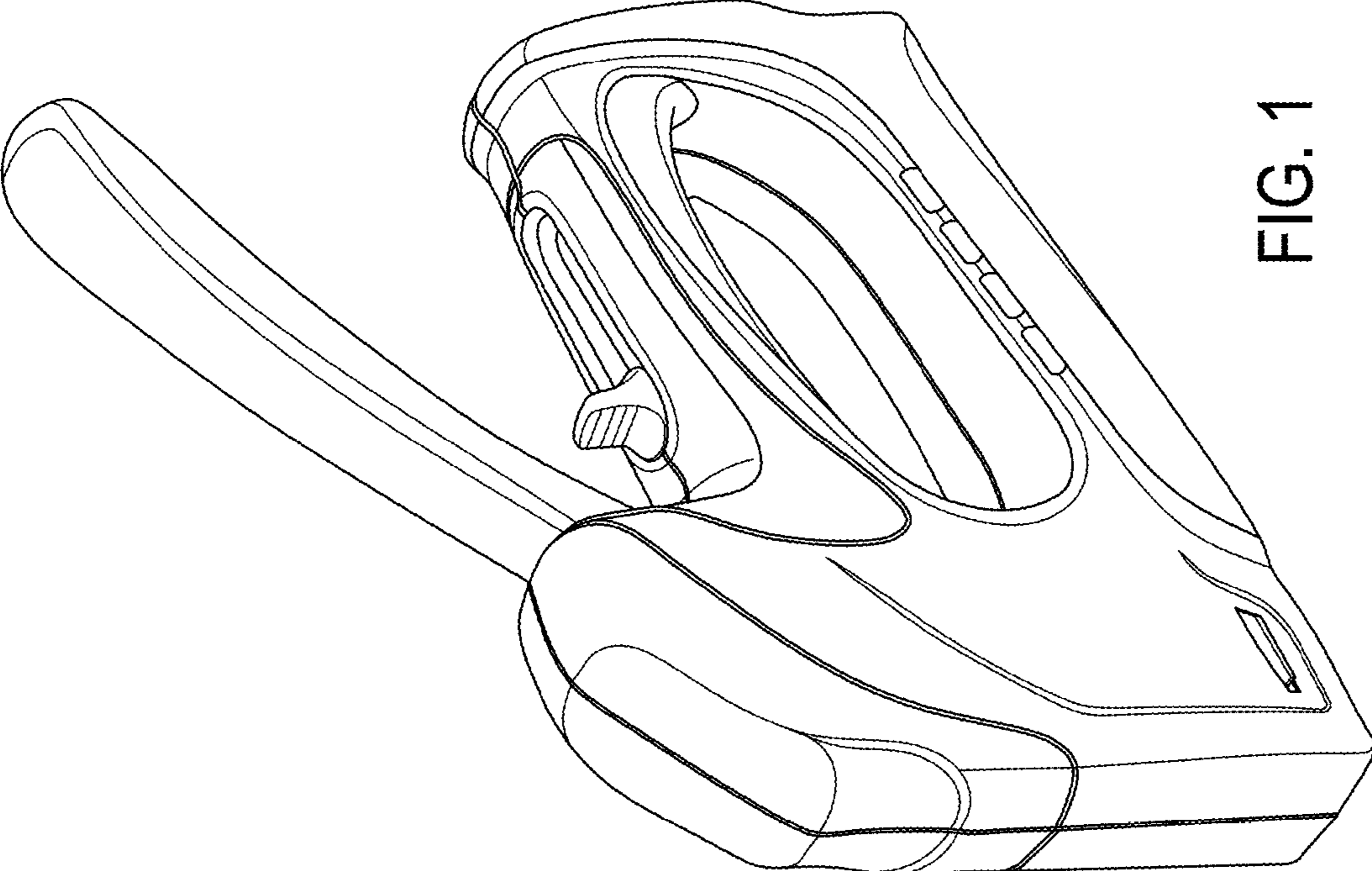


FIG. 1

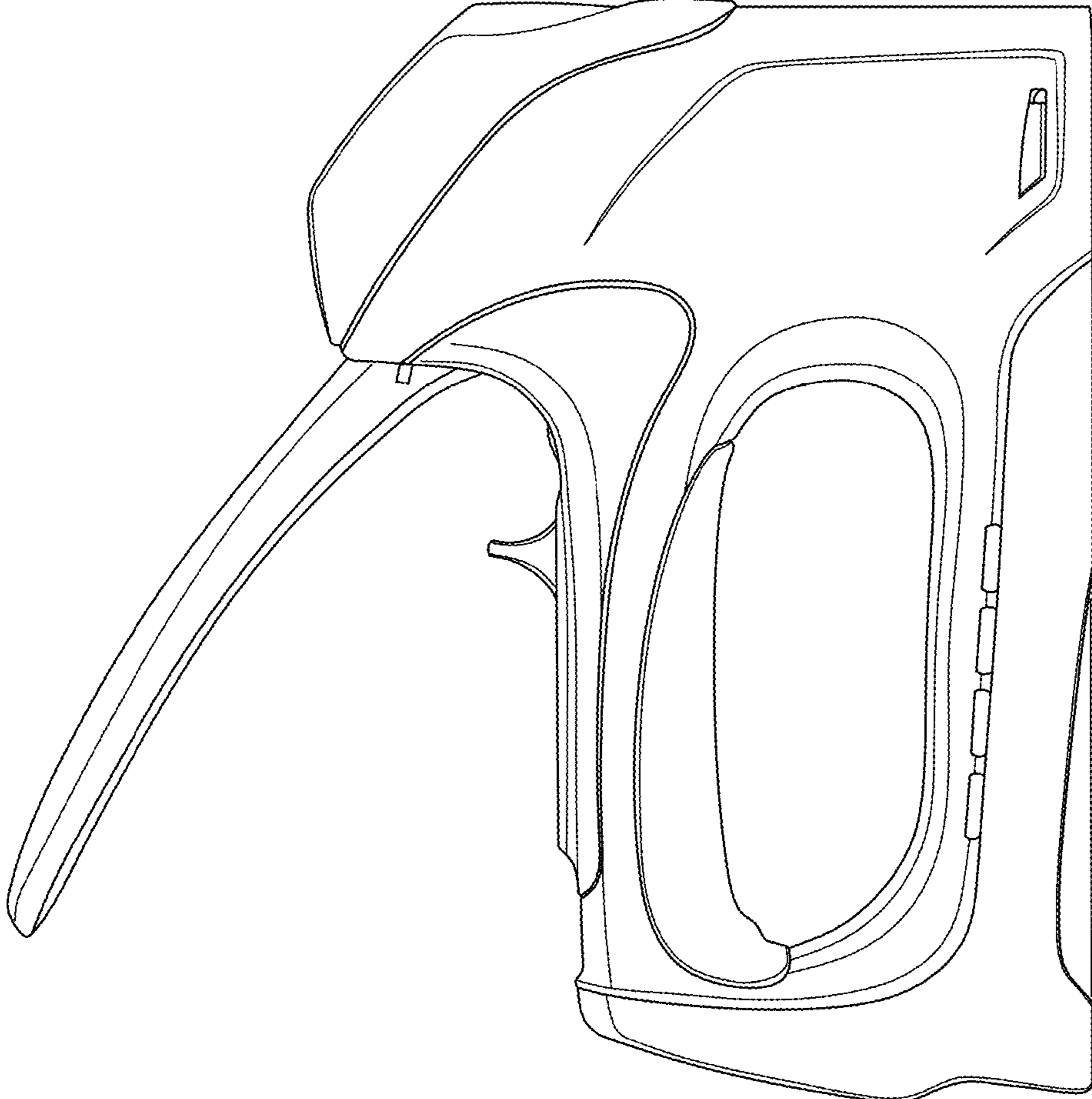


FIG. 2

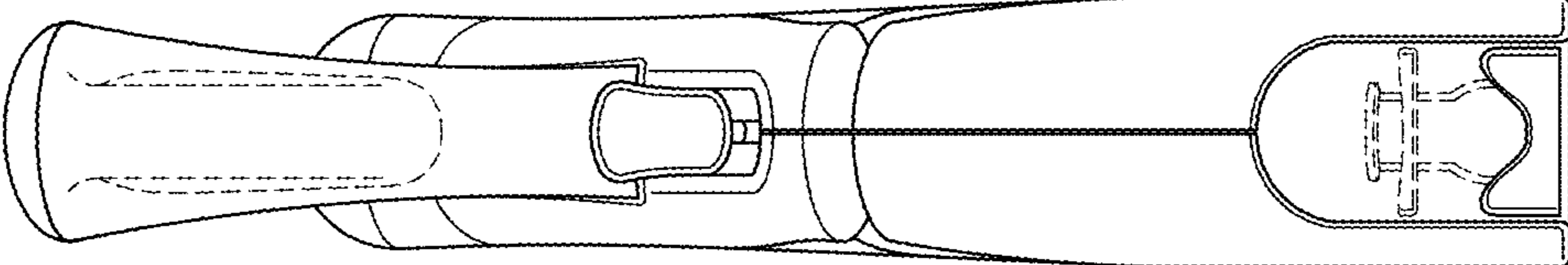


FIG. 3

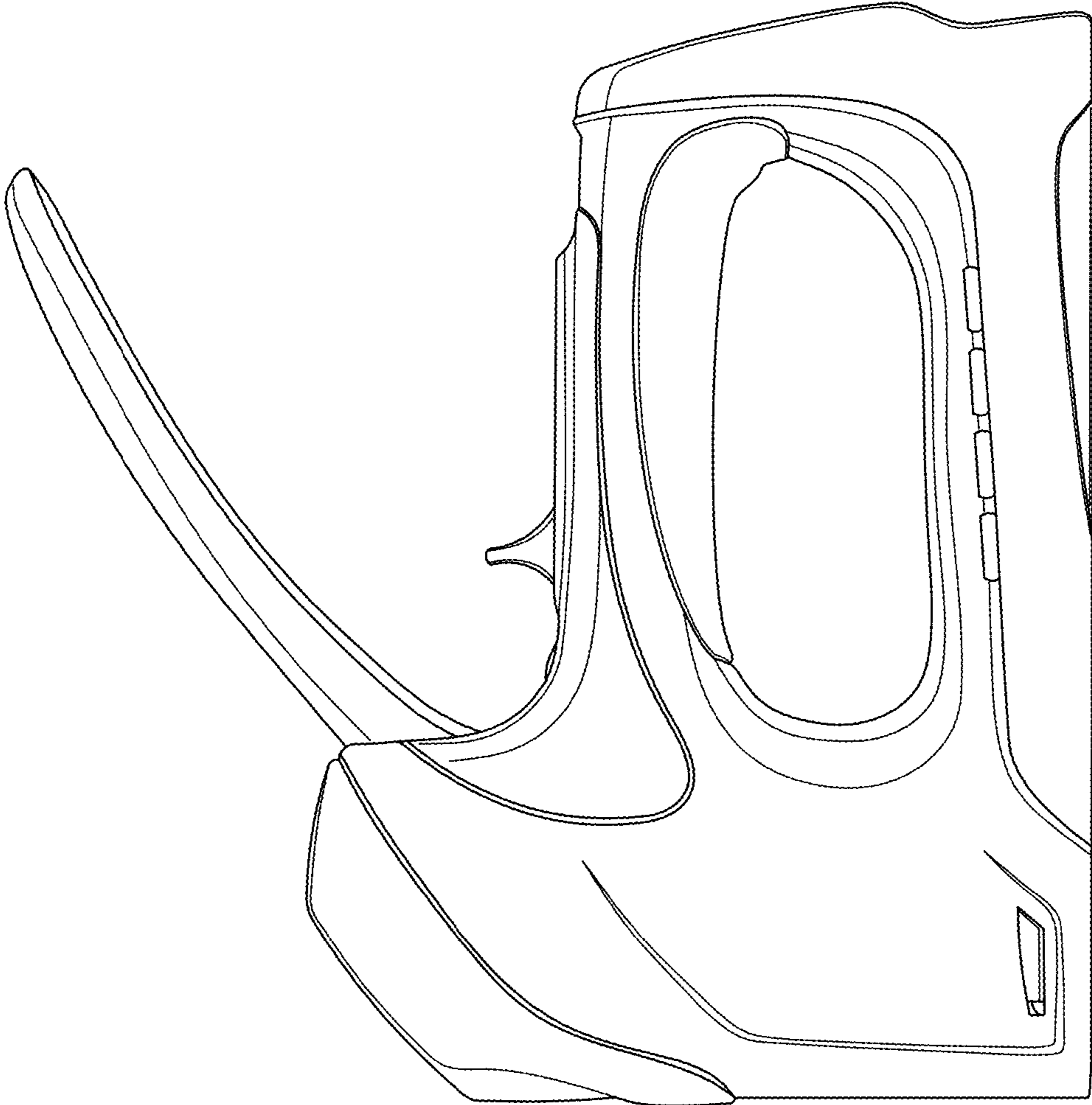


FIG. 4

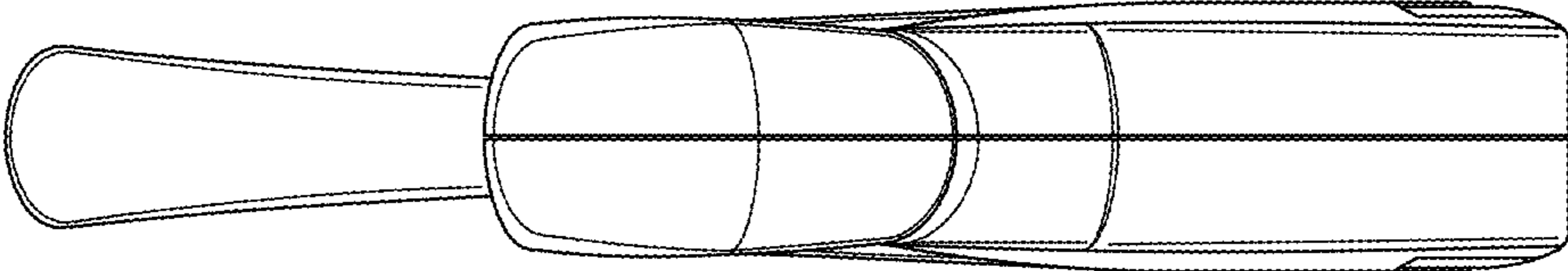


FIG. 5



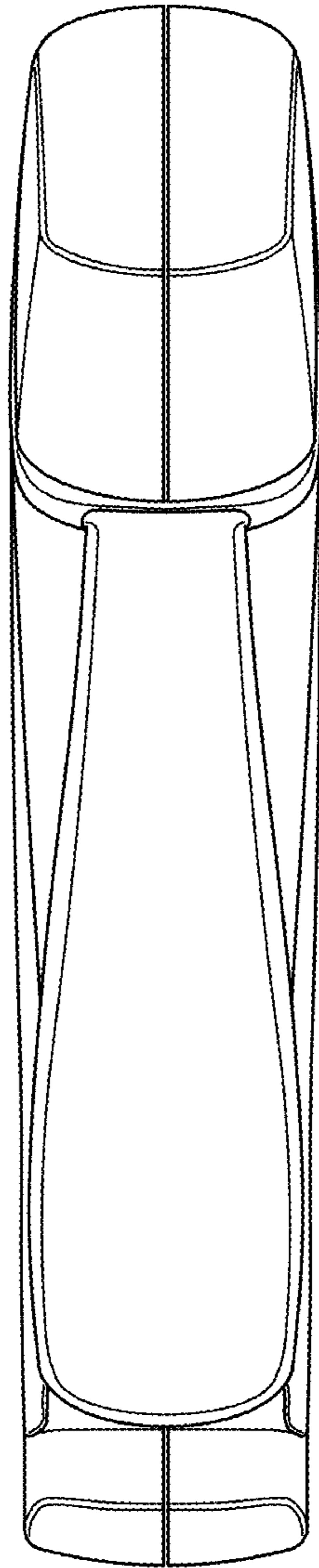


FIG. 6

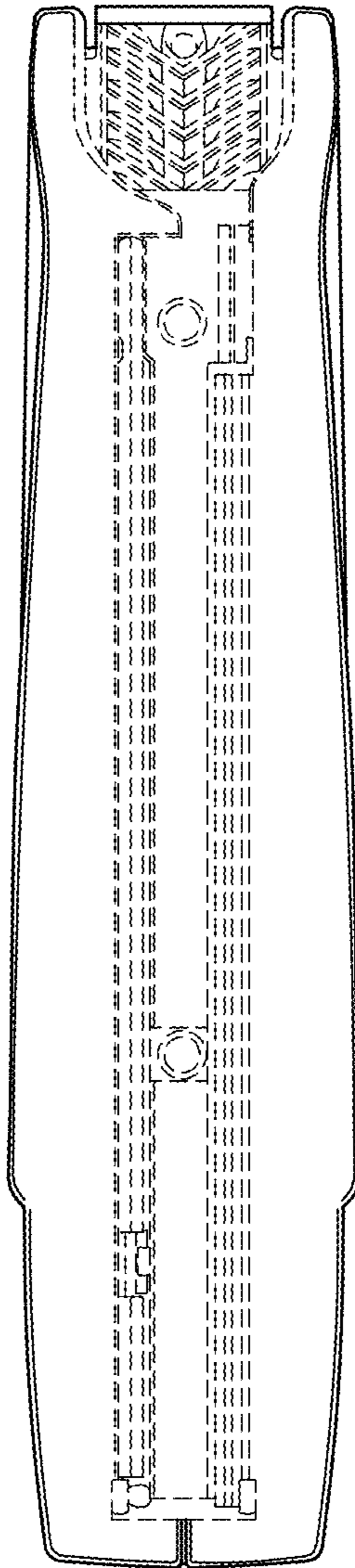


FIG. 7