



US00D768447S

(12) **United States Design Patent**
Jungklaus

(10) **Patent No.:** **US D768,447 S**
(45) **Date of Patent:** **** Oct. 11, 2016**

(54) **CONTROL TUBE FOR A TAPING TOOL**

OTHER PUBLICATIONS

- (71) Applicant: **Axia Acquisition Corporation**, Stone Mountain, GA (US)
- (72) Inventor: **Matthew W. Jungklaus**, Lawrenceville, GA (US)
- (73) Assignee: **AXIA ACQUISITION CORPORATION**, Stone Mountain, GA (US)
- (**) Term: **14 Years**
- (21) Appl. No.: **29/506,880**
- (22) Filed: **Oct. 21, 2014**
- (51) **LOC (10) Cl.** **08-05**
- (52) **U.S. Cl.**
USPC **D8/14**
- (58) **Field of Classification Search**
USPC D8/14, 51-59
CPC B65H 35/0053; E04F 21/165; E04F 21/1657; E04F 21/026; Y10T 156/18
See application file for complete search history.

Ames taper tools picture, (1 page).
NorthStar, Level 5 and Columbia taper tools picture, (1 page).

* cited by examiner

Primary Examiner — Deanna L Pratt
(74) *Attorney, Agent, or Firm* — Michael Best & Friedrich LLP

(57) **CLAIM**

I claim the ornamental design for a control tube for a taping tool, as shown and described.

DESCRIPTION

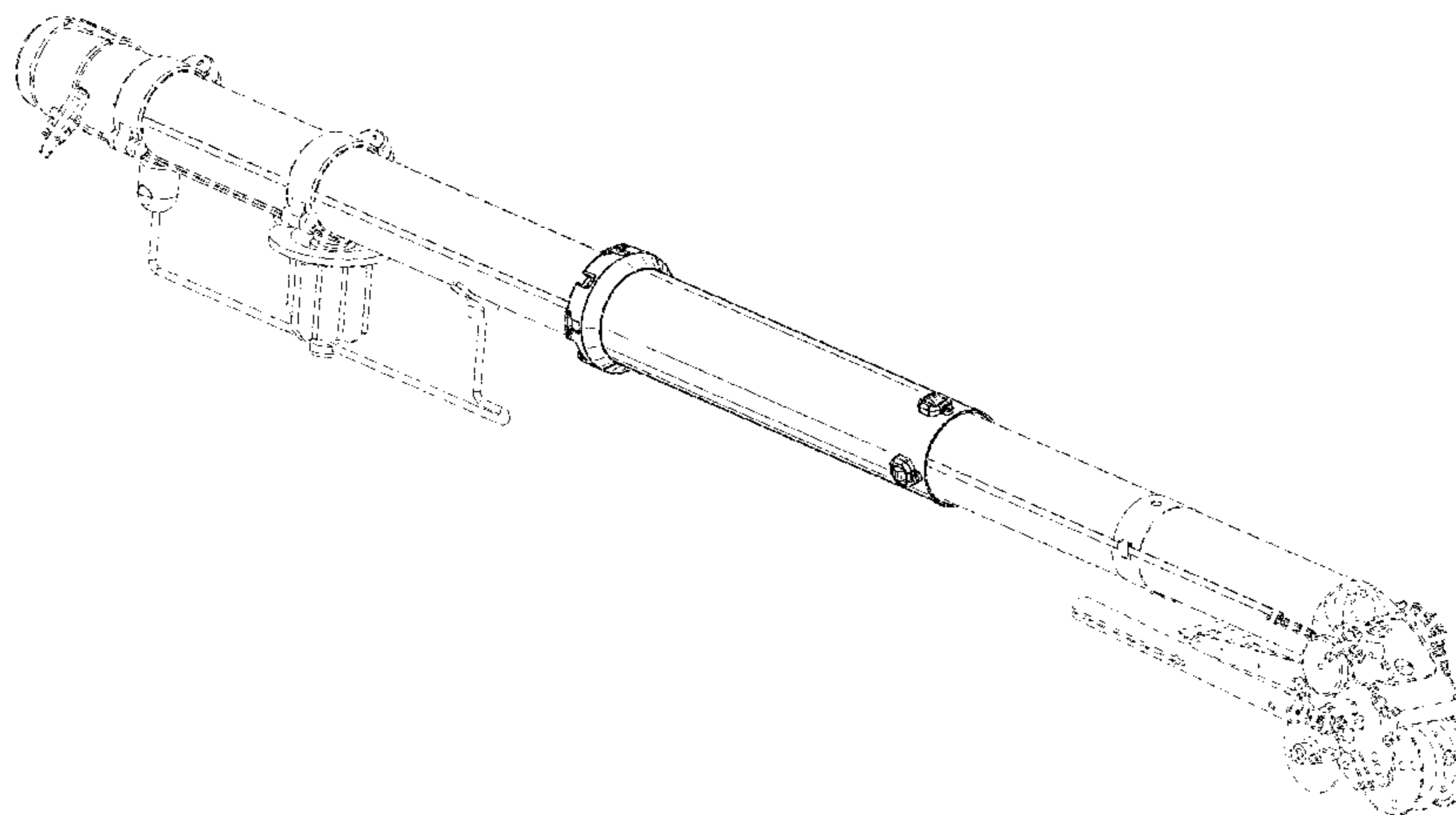
FIG. 1 is a perspective view of a control tube mounted on a taping tool.
 FIG. 2 is a first side view of the control tube mounted on a taping tool of FIG. 1.
 FIG. 3 is a second side view of the control tube mounted on a taping tool of FIG. 1.
 FIG. 4 is a bottom view of the control tube mounted on a taping tool of FIG. 1.
 FIG. 5 is a top view of the control tube mounted on a taping tool of FIG. 1.
 FIG. 6 is a front view of the control tube mounted on a taping tool of FIG. 1.
 FIG. 7 is a rear view of the control tube mounted on a taping tool of FIG. 1.
 FIG. 8 is an enlarged first side view of the control tube of FIG. 1.
 FIG. 9 is an enlarged second side view of the control tube of FIG. 1.
 FIG. 10 is an enlarged front view of the control tube of FIG. 1; and,
 FIG. 11 is an enlarged rear view of the control tube of FIG. 1.
 Any portions of the design shown in broken lines are included for the purpose of illustrating environment and form no part of the claimed design.

(56) **References Cited**

U.S. PATENT DOCUMENTS

D222,637 S *	11/1971	Becker	D8/359
3,791,012 A *	2/1974	Jenkin	B25B 27/02 173/91
7,314,074 B2 *	1/2008	Jungklaus	E04F 21/165 156/577
7,624,782 B2 *	12/2009	Jungklaus	B65H 35/0053 156/575
8,783,322 B2 *	7/2014	Jungklaus	B65H 35/0053 156/575
8,863,807 B2 *	10/2014	Jungklaus	B65H 35/0053 156/575
2004/0216847 A1 *	11/2004	Hall	E04F 21/08 156/575
2007/0215289 A1 *	9/2007	Kennedy	E04F 21/165 156/577
2015/0367377 A1 *	12/2015	Negri	B05C 5/0245 427/207.1

1 Claim, 6 Drawing Sheets



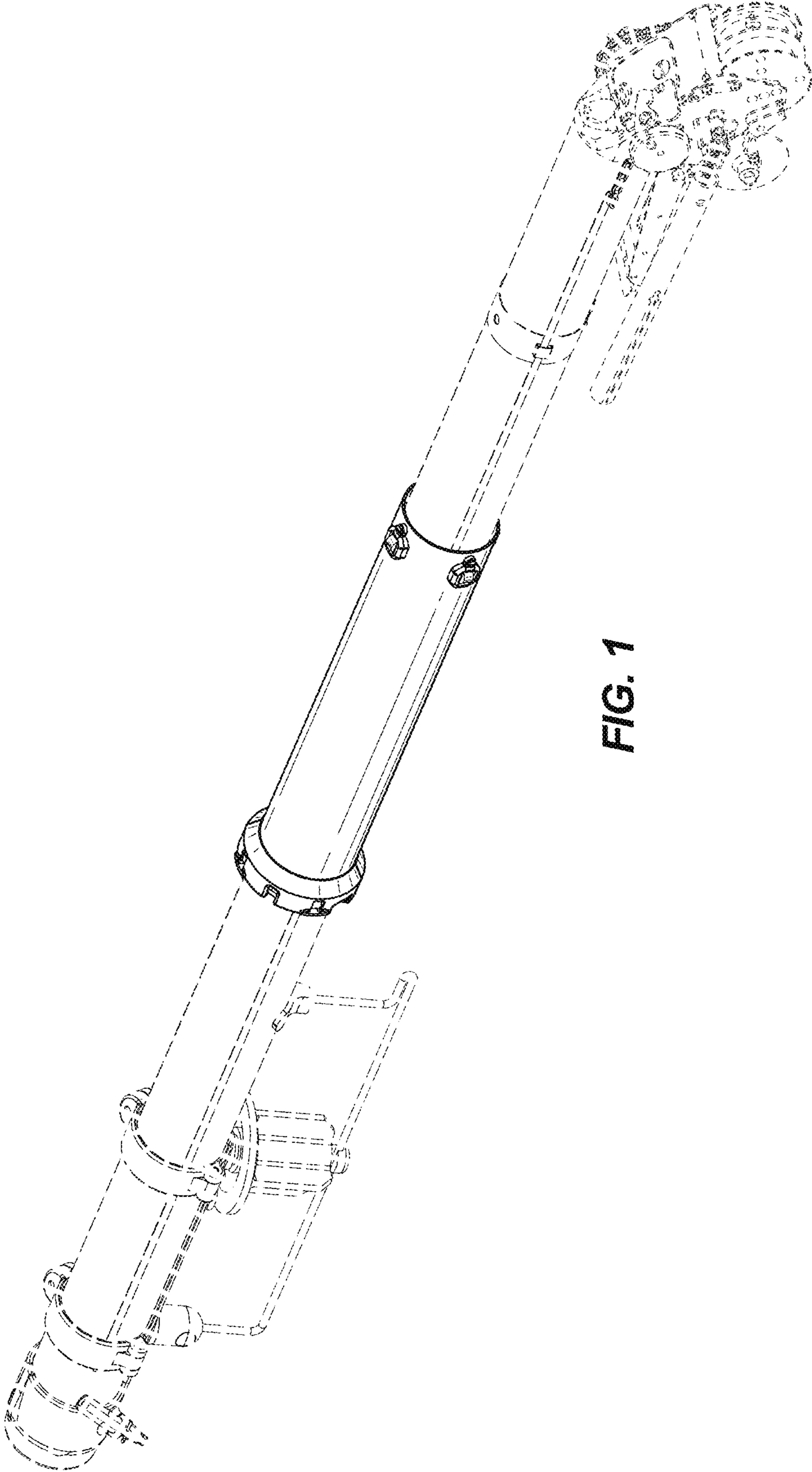


FIG. 1

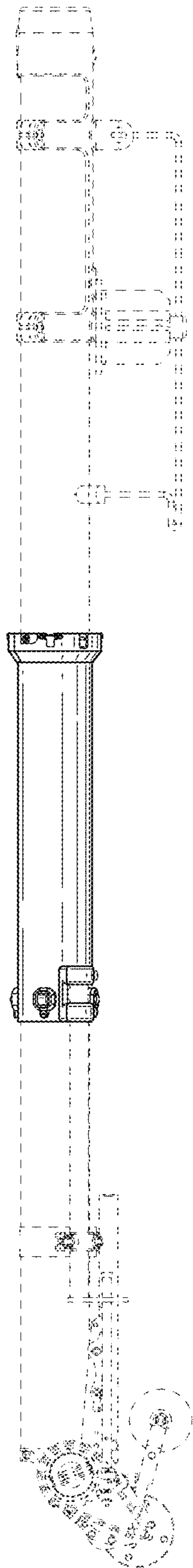


FIG. 2

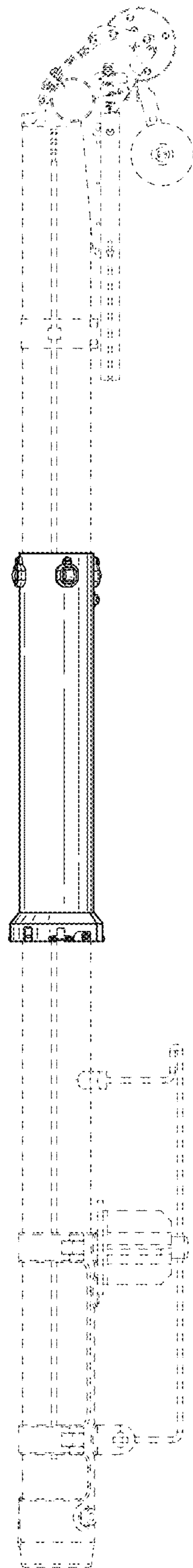


FIG. 3

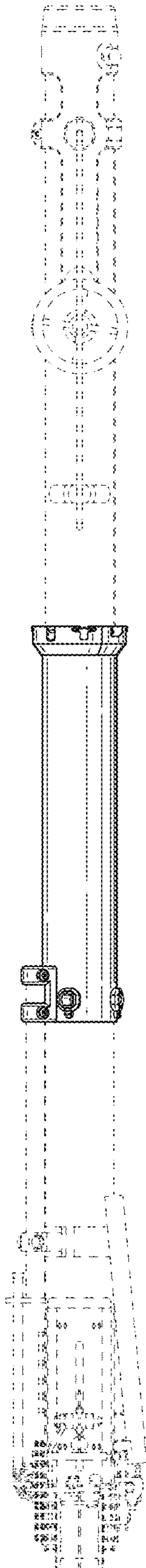


FIG. 4

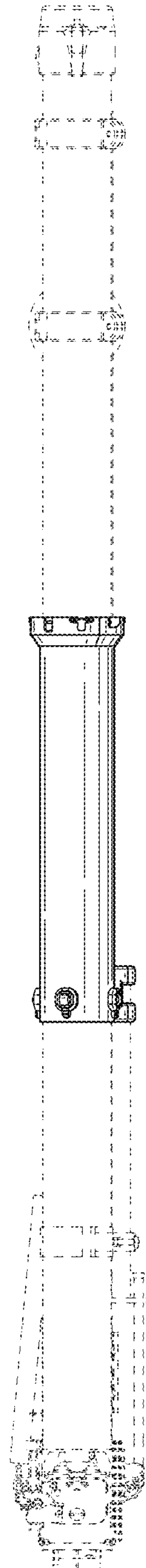


FIG. 5

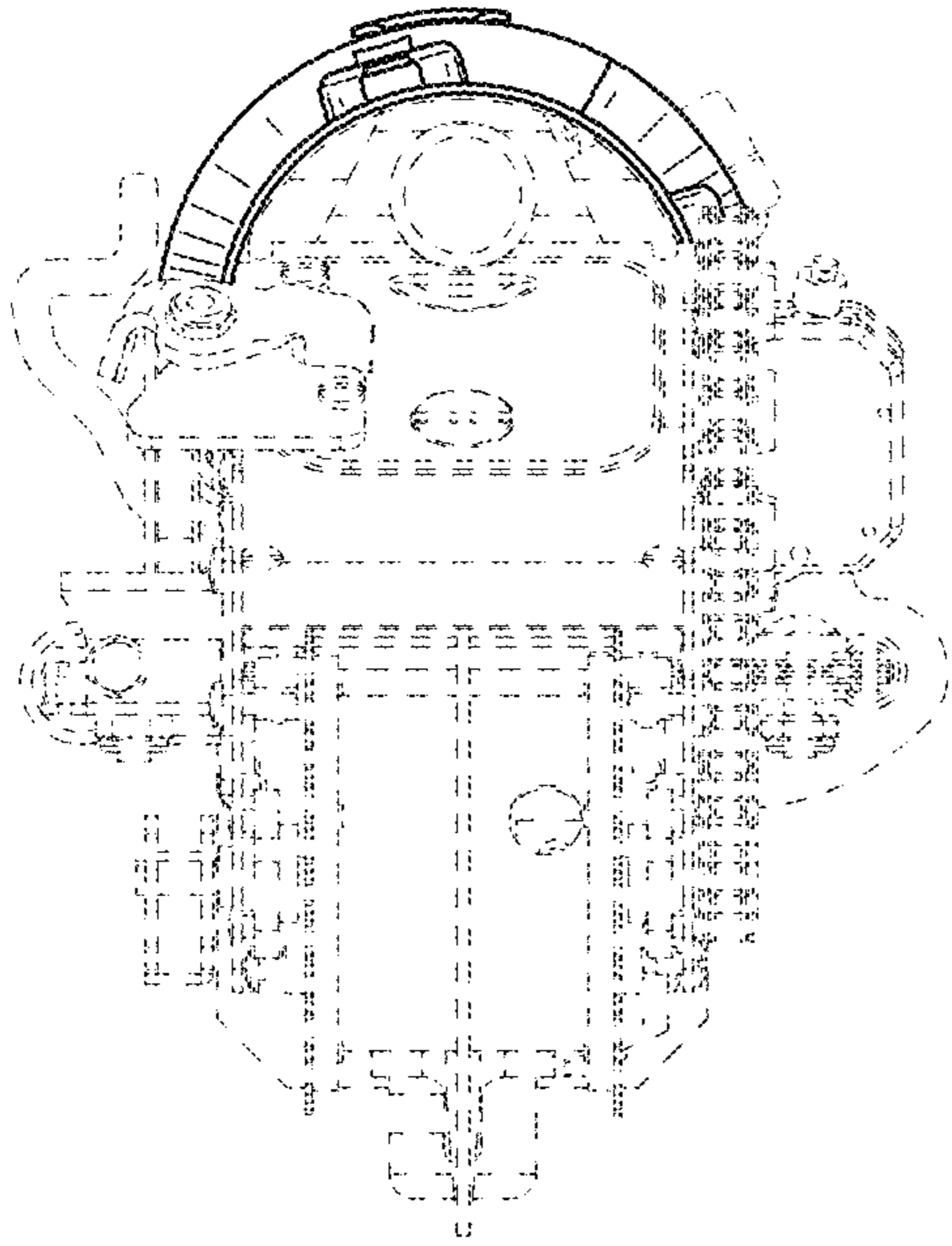


FIG. 6

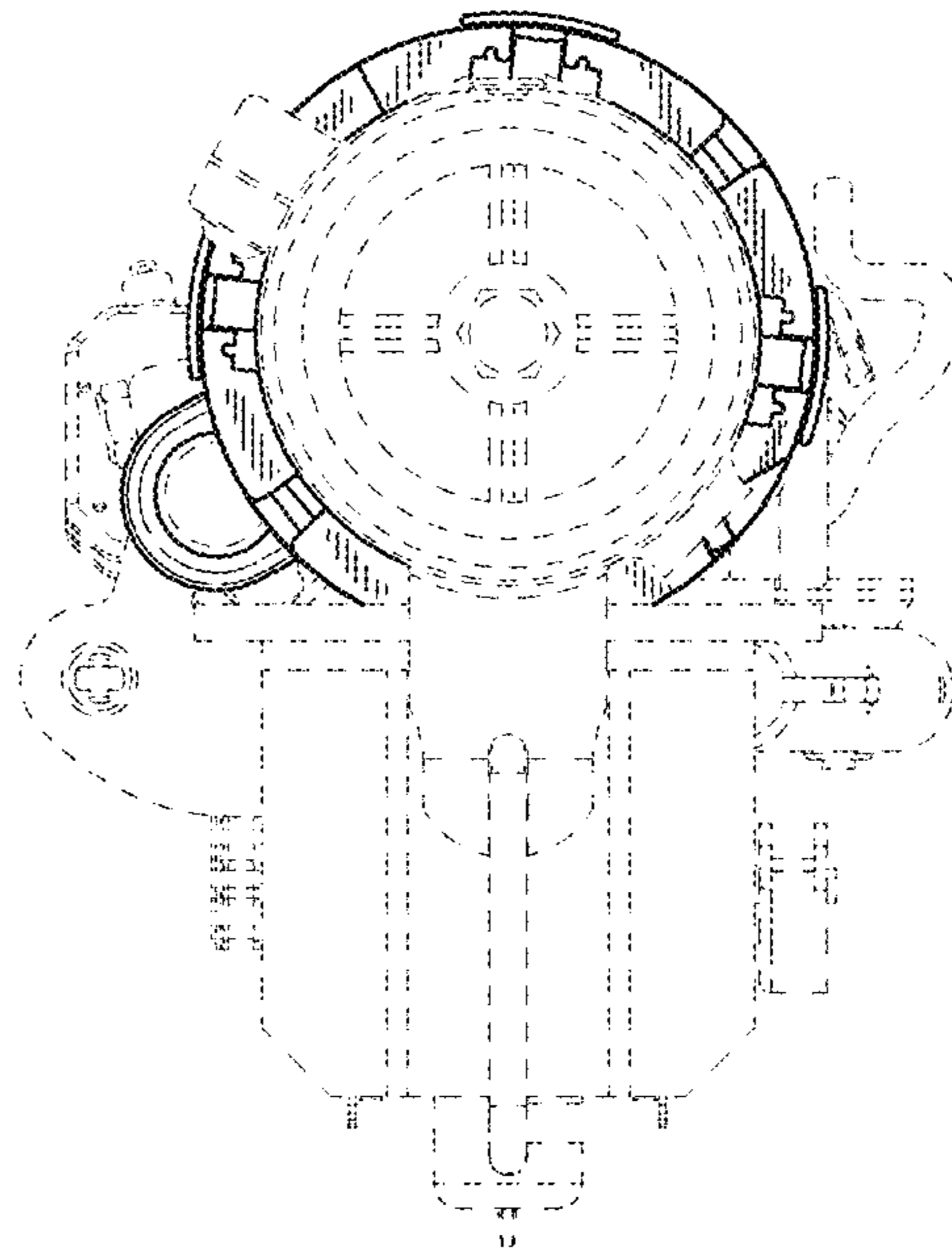


FIG. 7

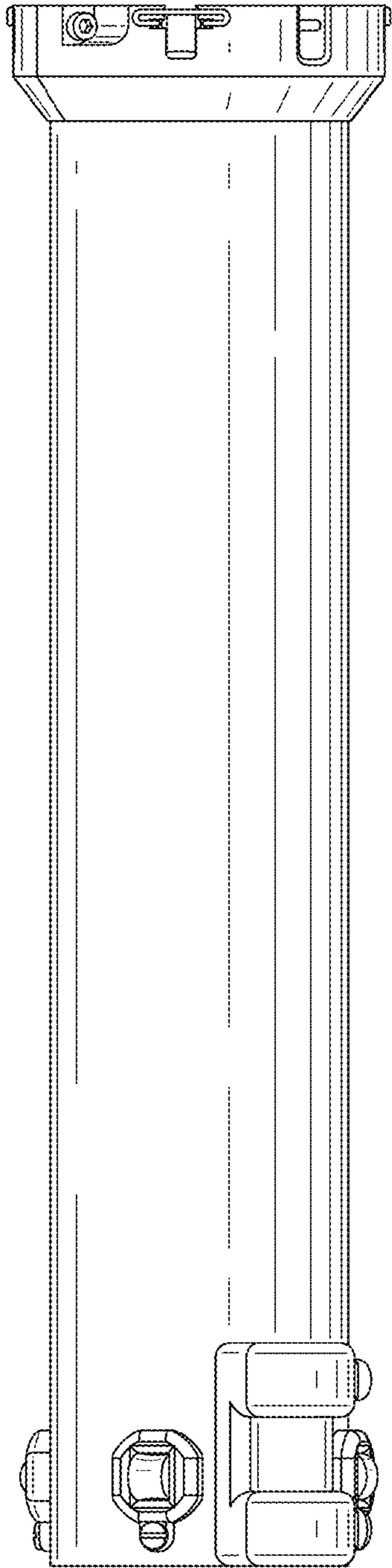


FIG. 8

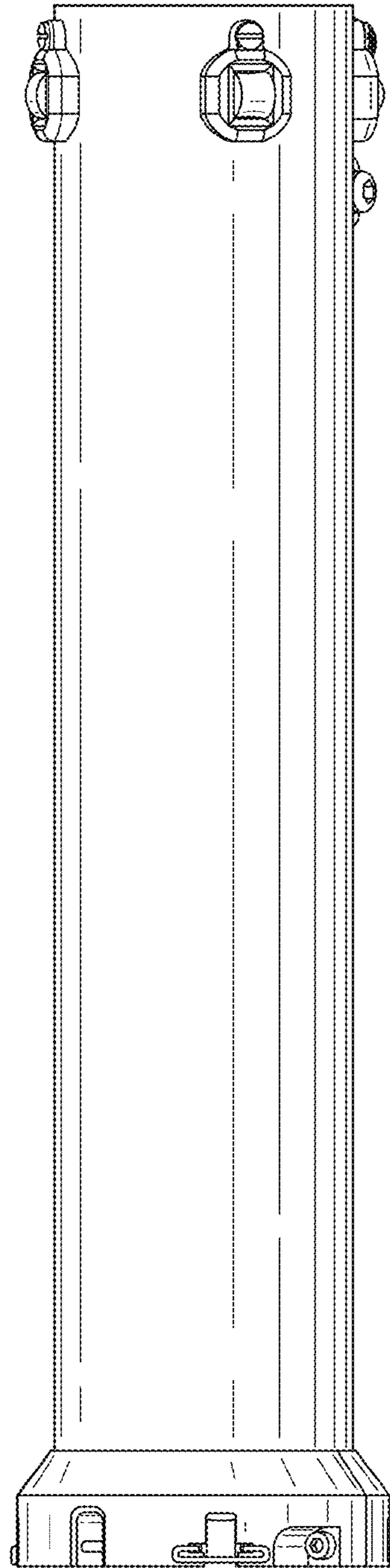


FIG. 9

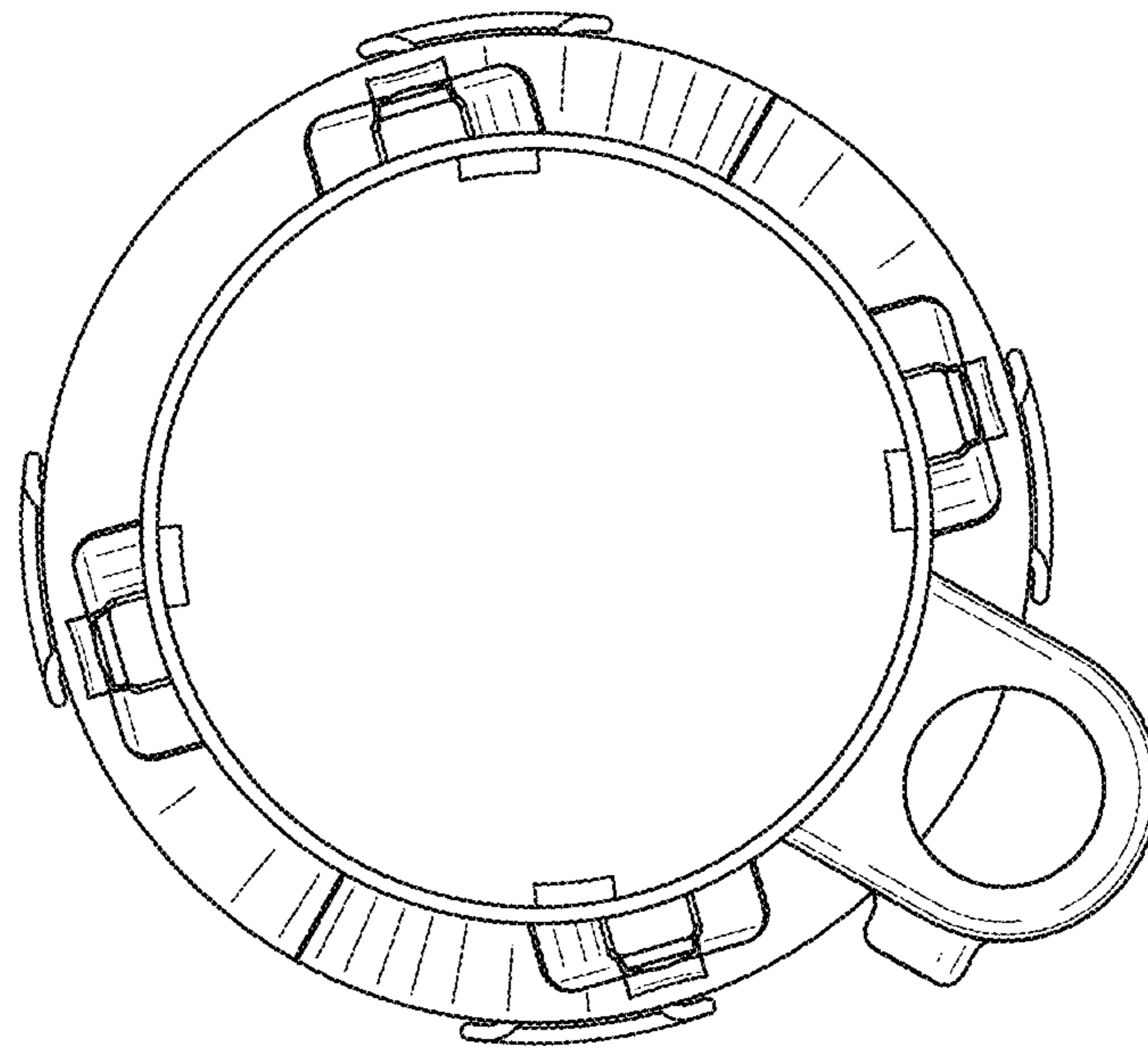


FIG. 10

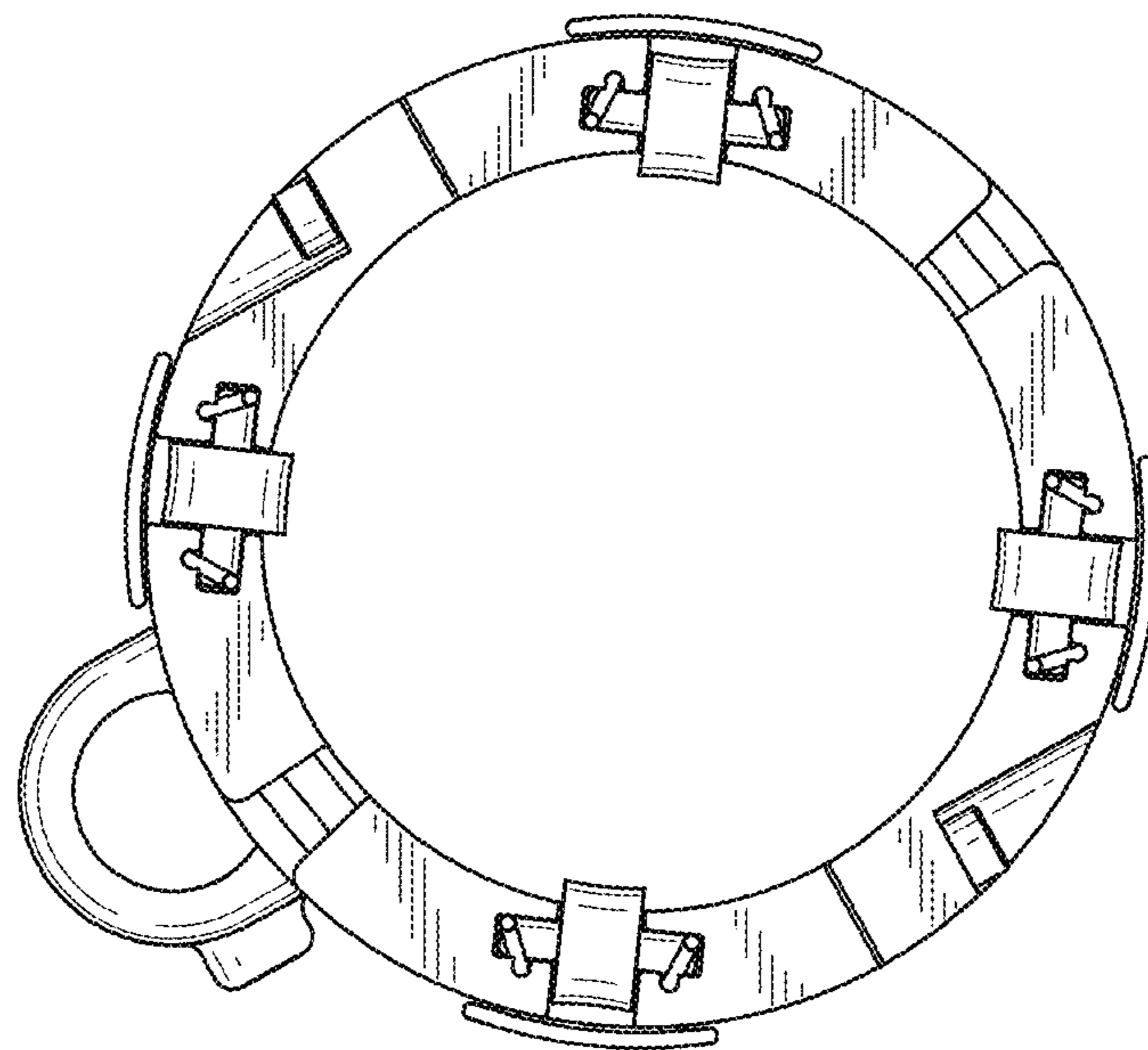


FIG. 11