



US00D768445S

(12) **United States Design Patent**
Harris et al.

(10) **Patent No.:** **US D768,445 S**

(45) **Date of Patent:** **** *Oct. 11, 2016**

- (54) **FOOD CUTTING APPARATUS**
- (71) Applicant: **Columbia Insurance Company,**
Omaha, NE (US)
- (72) Inventors: **E. Mark Harris,** McHenry, IL (US);
Roland Sudmalis, Park Ridge, IL (US)
- (73) Assignee: **Columbia Insurance Company,**
Omaha, NE (US)
- (*) Notice: This patent is subject to a terminal disclaimer.
- (**) Term: **14 Years**
- (21) Appl. No.: **29/512,261**
- (22) Filed: **Dec. 17, 2014**
- (51) **LOC (10) Cl.** **07-04**
- (52) **U.S. Cl.**
USPC **D7/673; D7/693**
- (58) **Field of Classification Search**
USPC 99/484-485, 493, 509-511, 537;
219/443.1, 450.1, 764, 771; 241/168,
241/169, 199.12; 269/87.2; 366/96, 242,
366/244; 83/745, 870
CPC A21C 15/04; A47J 43/00; A47J 43/085;
B26B 29/063
See application file for complete search history.

(56) **References Cited**

U.S. PATENT DOCUMENTS

- 2,166,624 A * 7/1939 Cohn B26D 1/553
83/466.1
- 2,197,056 A * 4/1940 Nelson A47J 37/0611
219/450.1
- 3,885,321 A * 5/1975 Fouineteau A47J 43/24
210/360.1
- 4,674,404 A 6/1987 D'Erasmus
- D377,297 S * 1/1997 Thompson D7/673
- D379,907 S 6/1997 Israeli
- 5,819,629 A * 10/1998 Sarich B26B 29/063
83/745

- 5,832,804 A * 11/1998 Dudley B26B 29/06
269/288
- 5,946,998 A * 9/1999 Thompson B26B 29/063
269/270
- D467,766 S * 12/2002 Wanat D7/352
- D527,588 S * 9/2006 de Groote D7/629
- D582,220 S * 12/2008 Farnum D7/672

(Continued)

FOREIGN PATENT DOCUMENTS

CN 201530199439 * 11/2015

OTHER PUBLICATIONS

Pampered Chef, Close & Cut, Publication Date Unknown, [Site Visited Jan. 4, 2016], Available From the Internet URL: <<https://www.pamperedchef.com/shop/Cook%27s+Tools/Mandolines%2C+Slicers+%26+Choppers/Close+%26+Cut/1118>>.*

(Continued)

Primary Examiner — Jeffrey D Asch
Assistant Examiner — S. Bryan Reinholdt, Jr.
(74) *Attorney, Agent, or Firm* — Neal, Gerber & Eisenberg, LLP

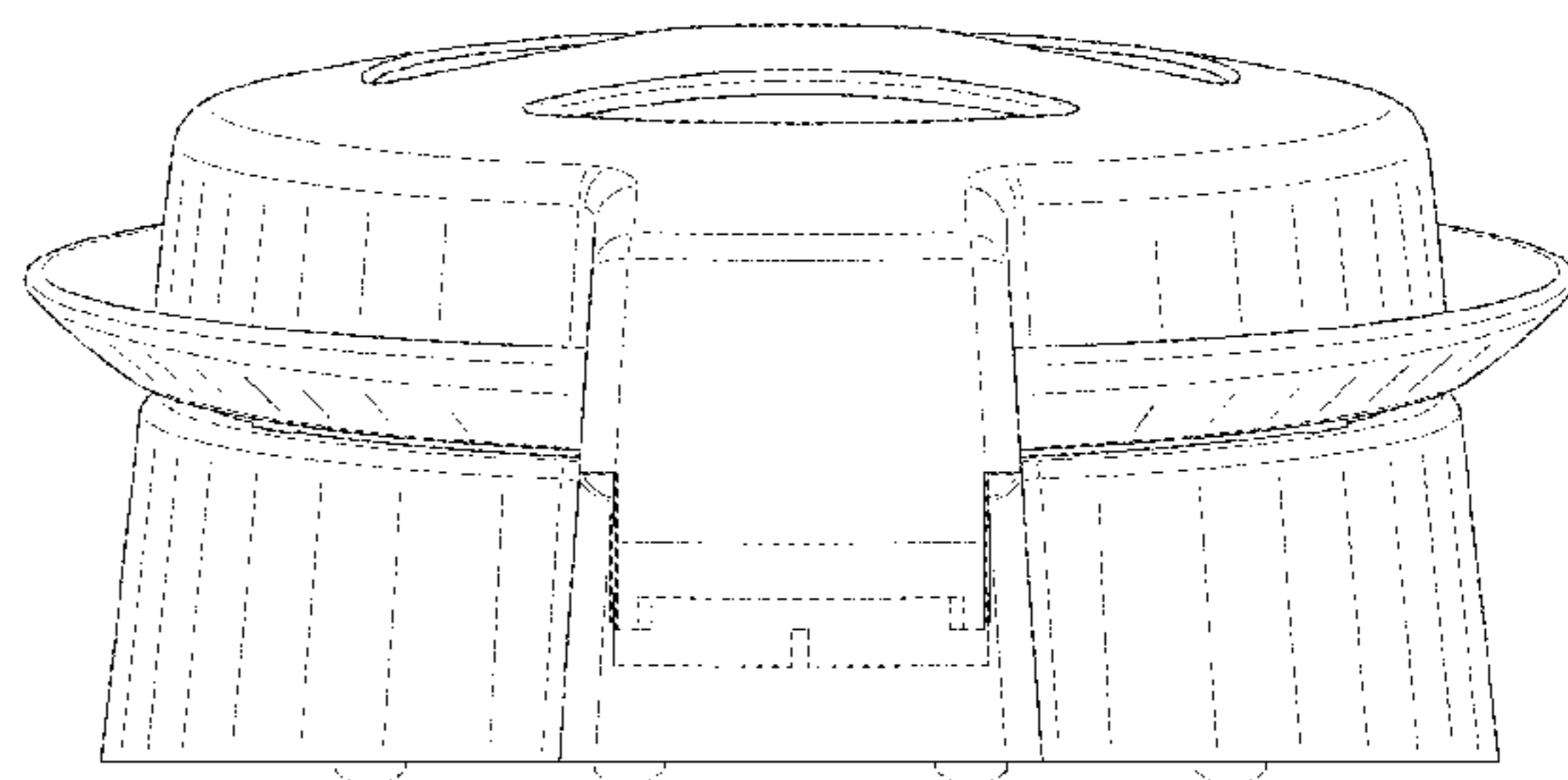
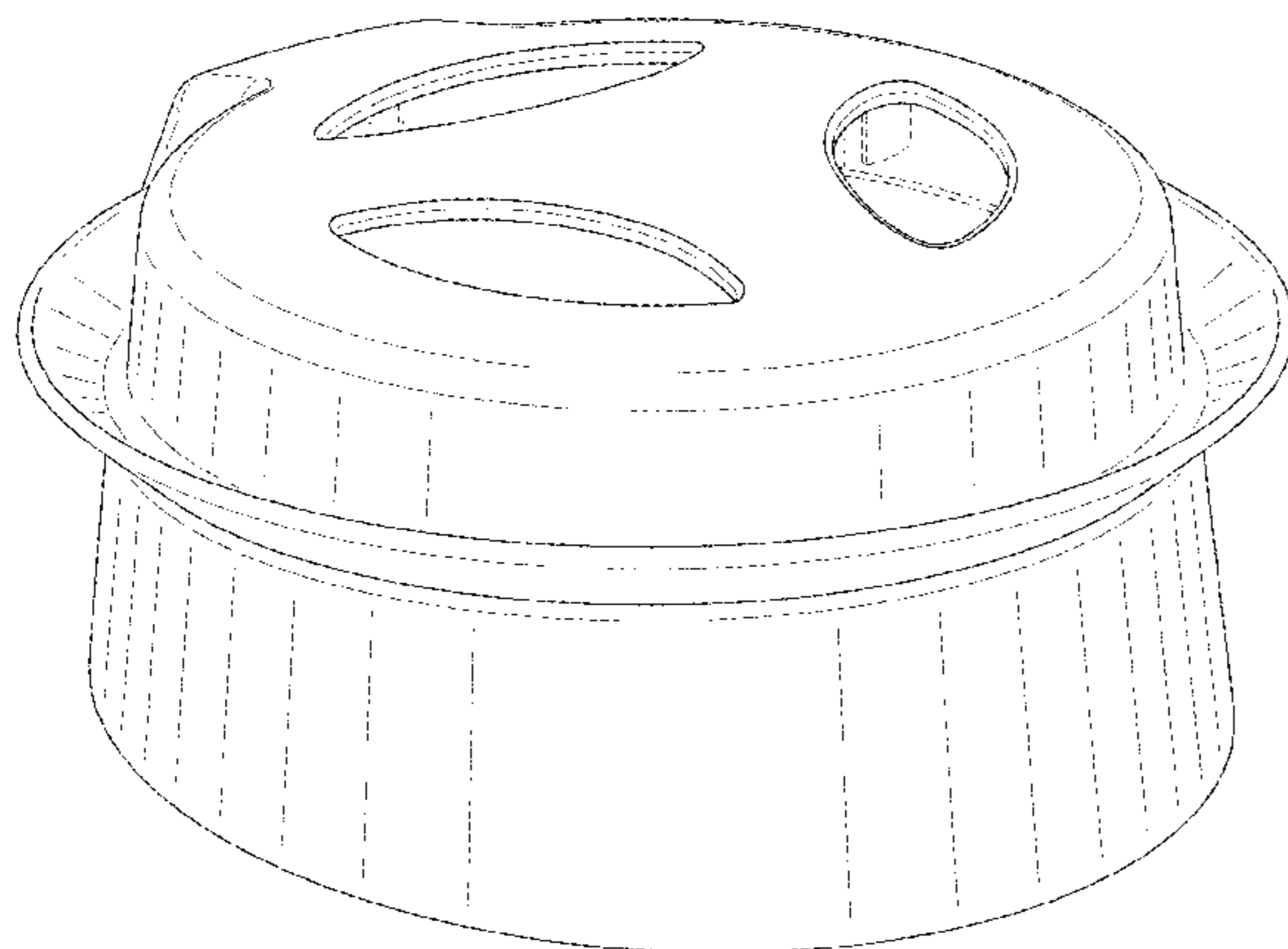
(57) **CLAIM**

The ornamental design for a food cutting apparatus, as shown and described.

DESCRIPTION

FIG. 1 is a perspective view of the food cutting apparatus of the present invention;
FIG. 2 is a top plan view thereof;
FIG. 3 is a bottom plan view thereof;
FIG. 4 is a first side elevational view thereof;
FIG. 5 is a second side elevational view thereof, opposite from the first side elevational view;
FIG. 6 is a front elevational view thereof; and,
FIG. 7 is a rear elevational view thereof.
The broken lines in the drawings illustrate the portions of the food cutting apparatus that form no part of the claim. The interior surfaces, within the almond-shaped openings at the top, form no part of the claimed design.

1 Claim, 7 Drawing Sheets



(56)

References Cited

OTHER PUBLICATIONS

U.S. PATENT DOCUMENTS

D599,176 S 9/2009 Seehoff et al.
D618,517 S * 6/2010 Wong D7/672
D673,006 S * 12/2012 Kent D7/372
8,474,359 B2 * 7/2013 George A47J 47/005
269/287
2003/0101878 A1 * 6/2003 Muldoon B26B 29/063
99/422
2009/0282990 A1 * 11/2009 Farnum B26D 3/26
99/537

Pampered Chef. "Close and Cut." YouTube. YouTube, Mar. 2, 2015.
Site visited Jan. 6, 2016. <<https://www.youtube.com/watch?v=6xTcuZiJksw>>.*
U.S. Appl. No. 29/512,259, filed Dec. 17, 2014; title: Food Cutting
Apparatus; Inventor(s): E. Mark Harris et al.
U.S. Appl. No. 29/512,260, filed Dec. 17, 2014; title: Food Cutting
Apparatus; Inventor(s): E. Mark Harris et al.

* cited by examiner

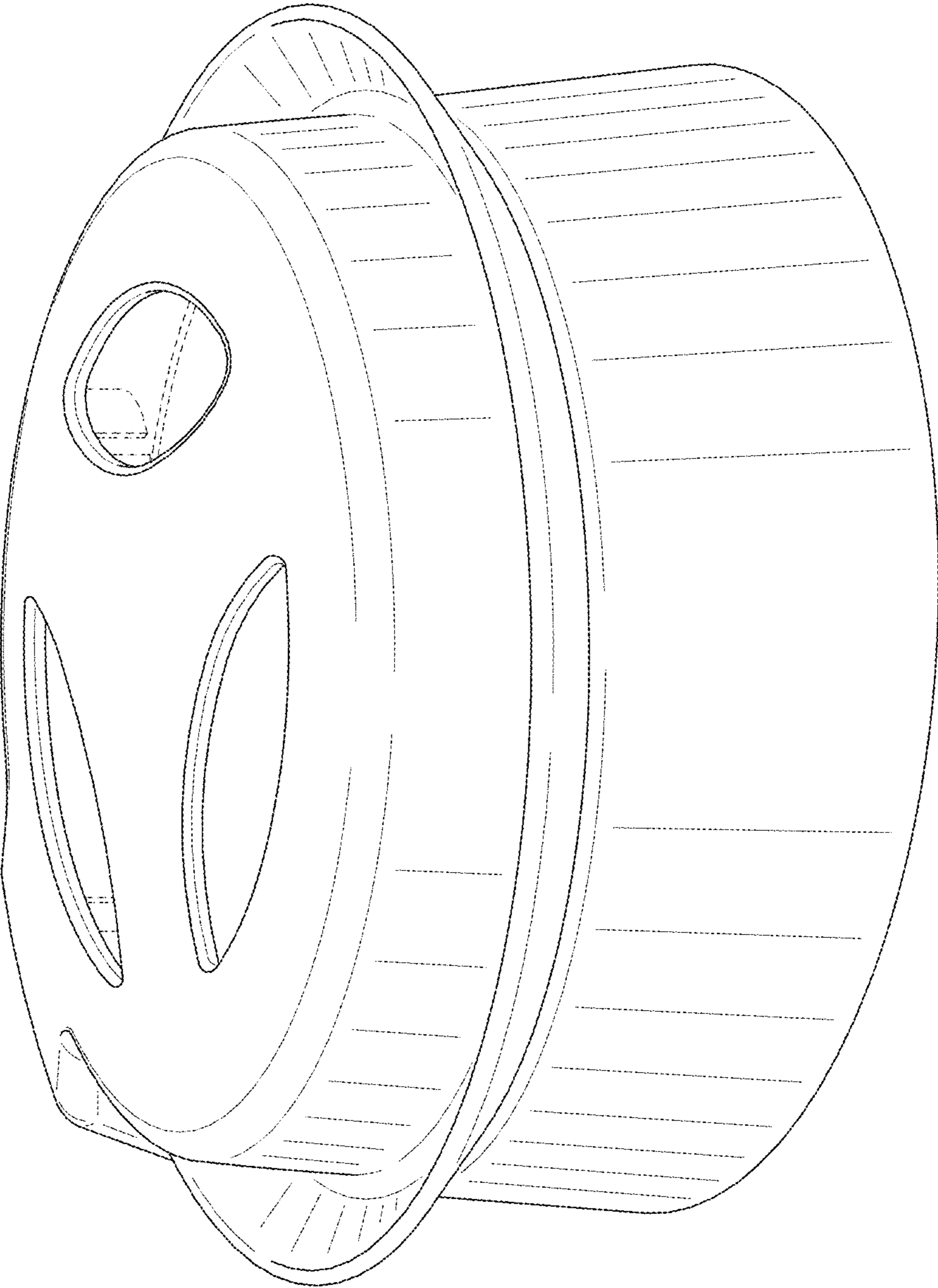


FIG. 1

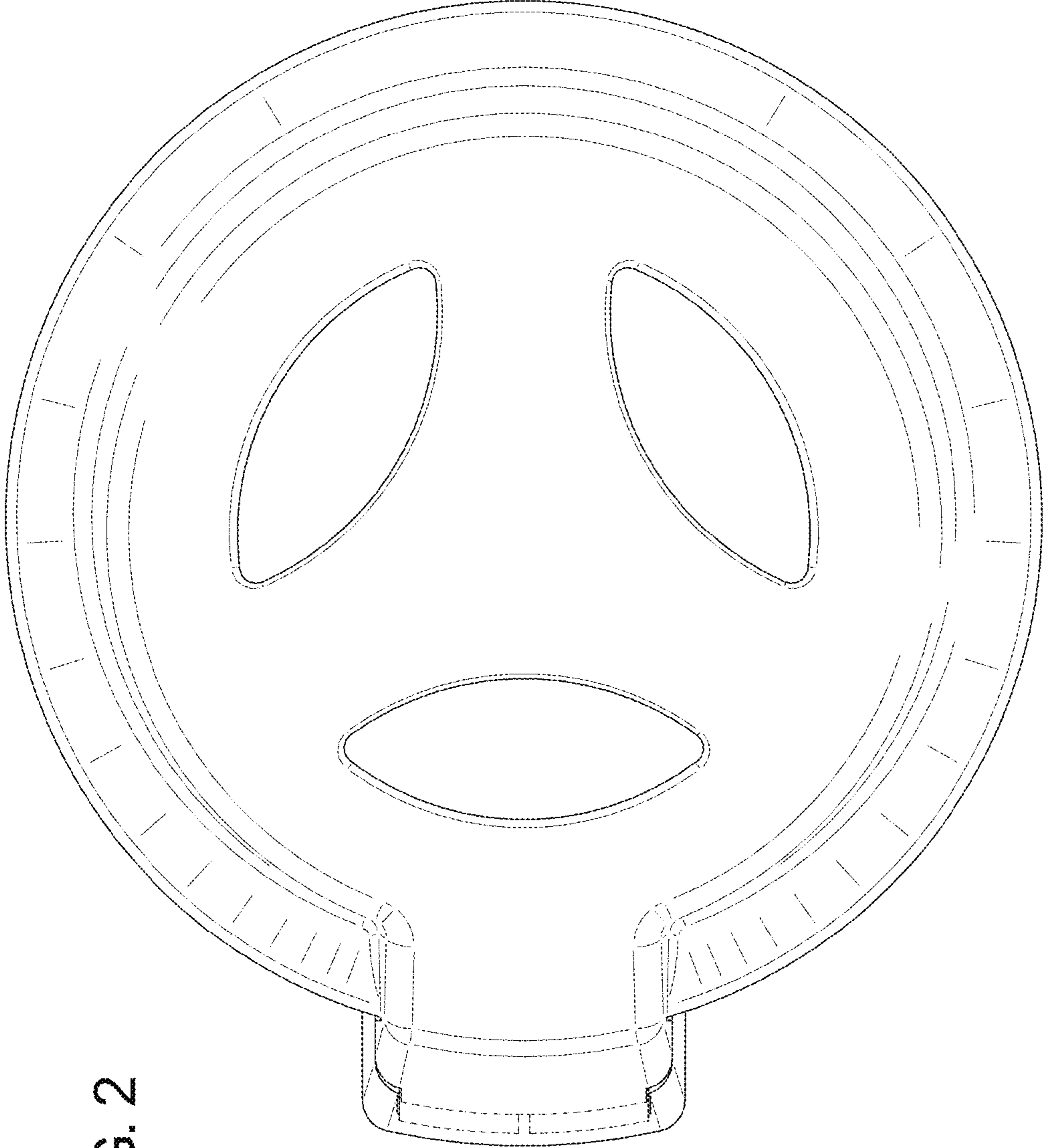


FIG. 2

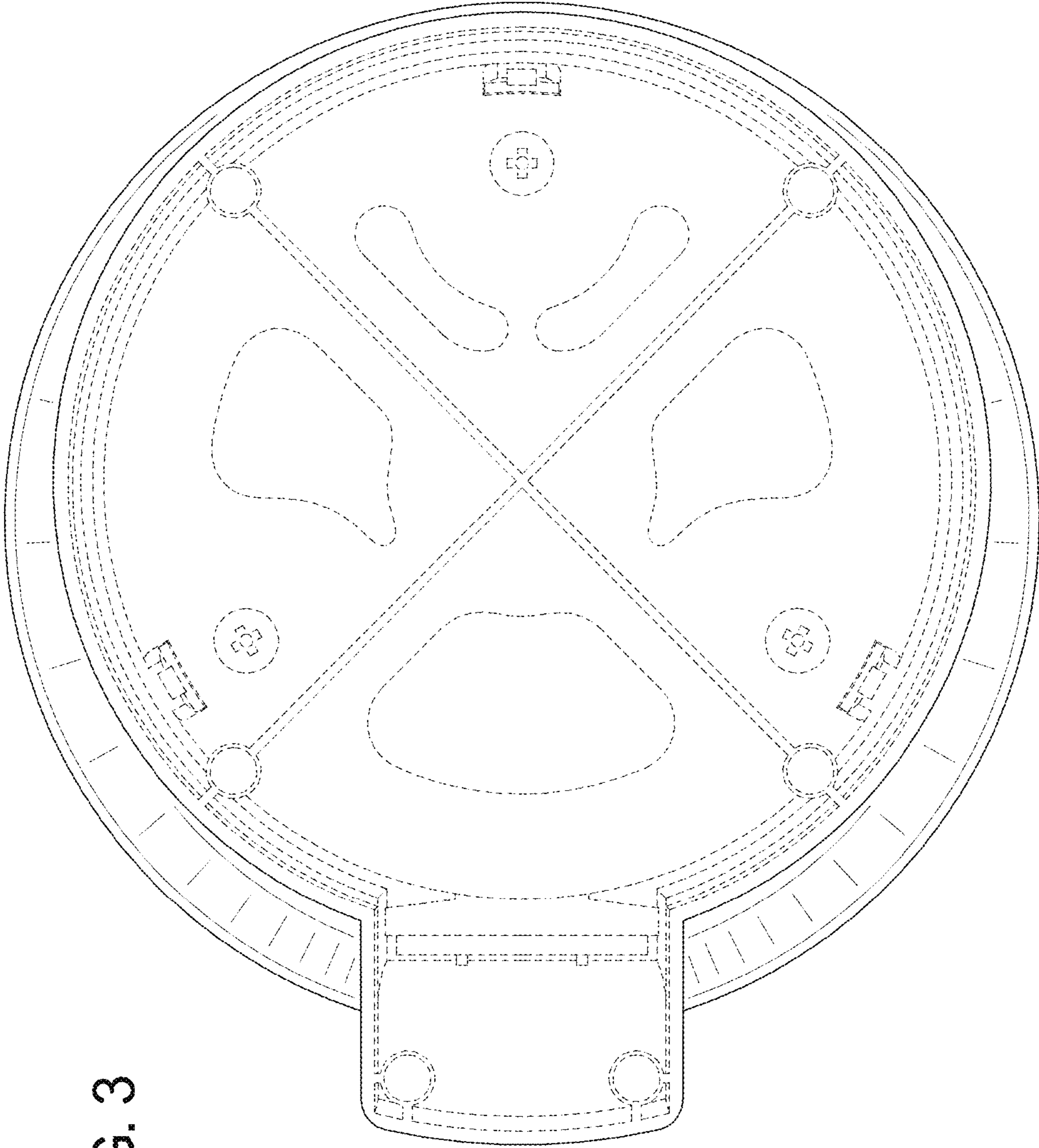


FIG. 3

FIG. 4

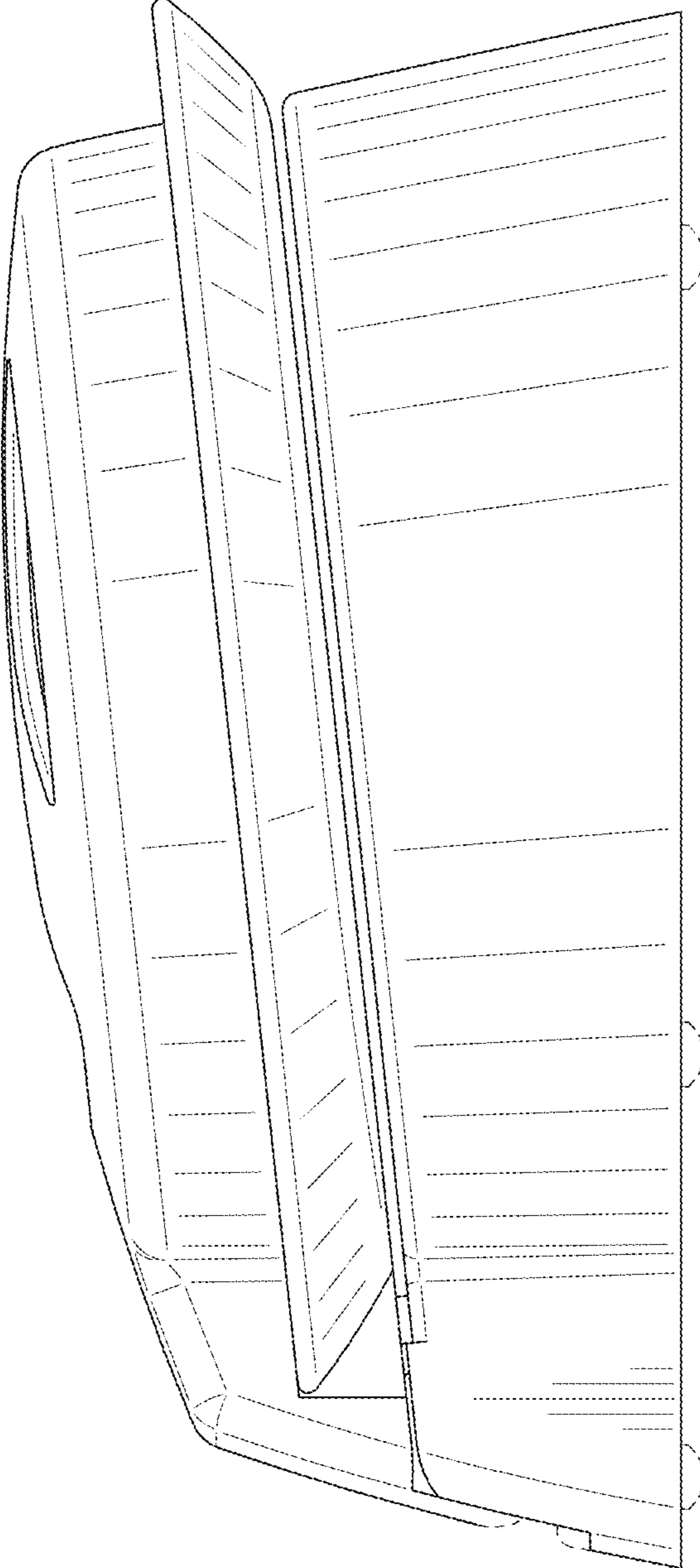


FIG. 5

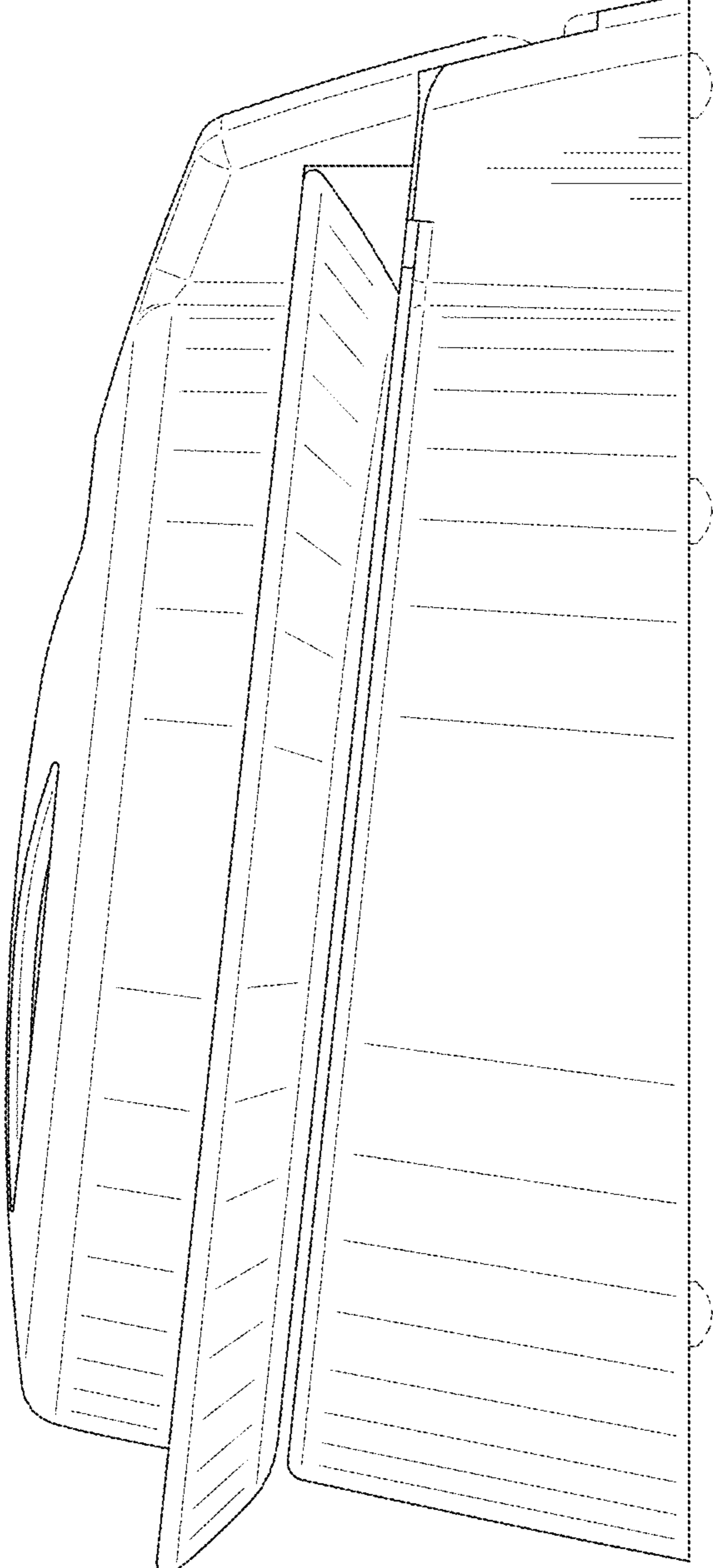


FIG. 6

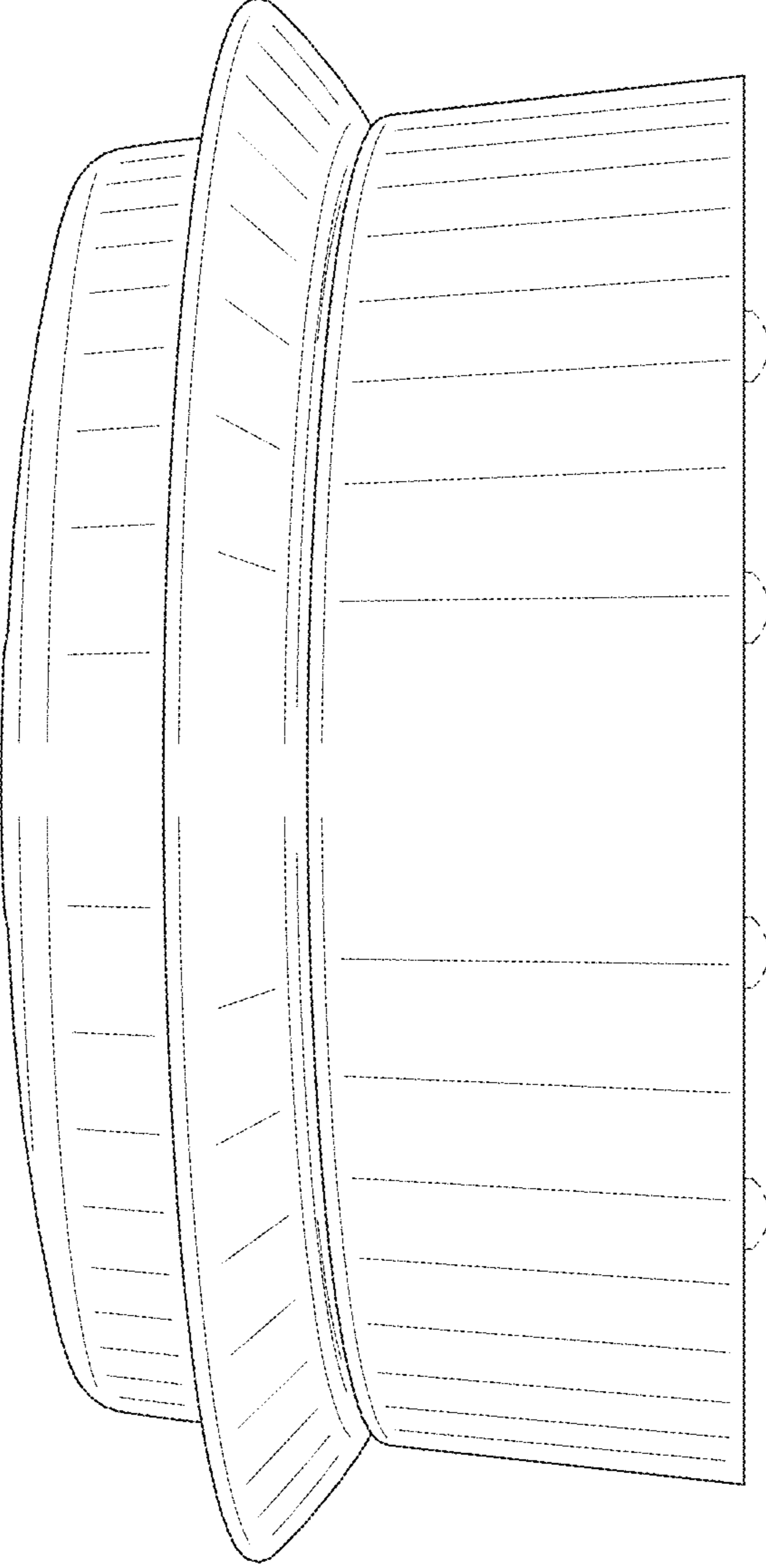


FIG. 7

