



US00D768444S

(12) **United States Design Patent** (10) **Patent No.:** **US D768,444 S**  
**Harris et al.** (45) **Date of Patent:** **\*\* Oct. 11, 2016**

(54) **FOOD CUTTING APPARATUS** 5,946,998 A \* 9/1999 Thompson ..... B26B 29/063  
269/270  
(71) Applicant: **Columbia Insurance Company,** D467,766 S \* 12/2002 Wanat ..... D7/352  
Omaha, NE (US) D527,588 S \* 9/2006 de Groote ..... D7/629  
D582,220 S \* 12/2008 Farnum ..... D7/672

(72) Inventors: **E. Mark Harris,** McHenry, IL (US);  
**Roland Sudmalis,** Park Ridge, IL (US)

(73) Assignee: **Columbia Insurance Company,**  
Omaha, NE (US)

(\*\*) Term: **14 Years**

(21) Appl. No.: **29/512,260**

(22) Filed: **Dec. 17, 2014**

(51) **LOC (10) Cl.** ..... **07-04**

(52) **U.S. Cl.**  
USPC ..... **D7/673; D7/693**

(58) **Field of Classification Search**  
USPC ..... D7/372-375, 381-386, 638, 672-674,  
D7/693; 99/484, 485, 493, 509-511, 537;  
219/443.1, 450.1, 764, 771; 241/168,  
241/169, 199.12; 269/87.2; 366/96, 242,  
366/244; 83/745, 870  
CPC ..... A21C 15/04; A47J 43/00; A47J 43/085;  
B26B 29/063

See application file for complete search history.

(56) **References Cited**

**U.S. PATENT DOCUMENTS**

2,166,624 A \* 7/1939 Cohn ..... B26D 1/553  
83/466.1  
2,197,056 A \* 4/1940 Nelson ..... A47J 37/0611  
219/450.1  
3,885,321 A \* 5/1975 Fouinetau ..... A47J 43/24  
210/360.1  
4,674,404 A 6/1987 D'Erasmus  
D377,297 S \* 1/1997 Thompson ..... D7/673  
D379,907 S 6/1997 Israeli  
5,819,629 A \* 10/1998 Sarich ..... B26B 29/063  
83/745  
5,832,804 A \* 11/1998 Dudley ..... B26B 29/06  
269/288

(Continued)

**FOREIGN PATENT DOCUMENTS**

CN 201530199439 \* 11/2015

**OTHER PUBLICATIONS**

Pampered Chef, Close & Cut, Publication Date Unknown, [Site Visited Jan. 4, 2016], Available from the Internet URL: <https://www.pamperedchef.com/shop/Cook%27s+Tools/Mandolines%2C+Slicers+%26+Choppers/Close+%26+Cut/1118>.\*

(Continued)

*Primary Examiner* — Jeffrey D Asch  
*Assistant Examiner* — S. Bryan Reinholdt, Jr.  
(74) *Attorney, Agent, or Firm* — Neal, Gerber & Eisenberg, LLP

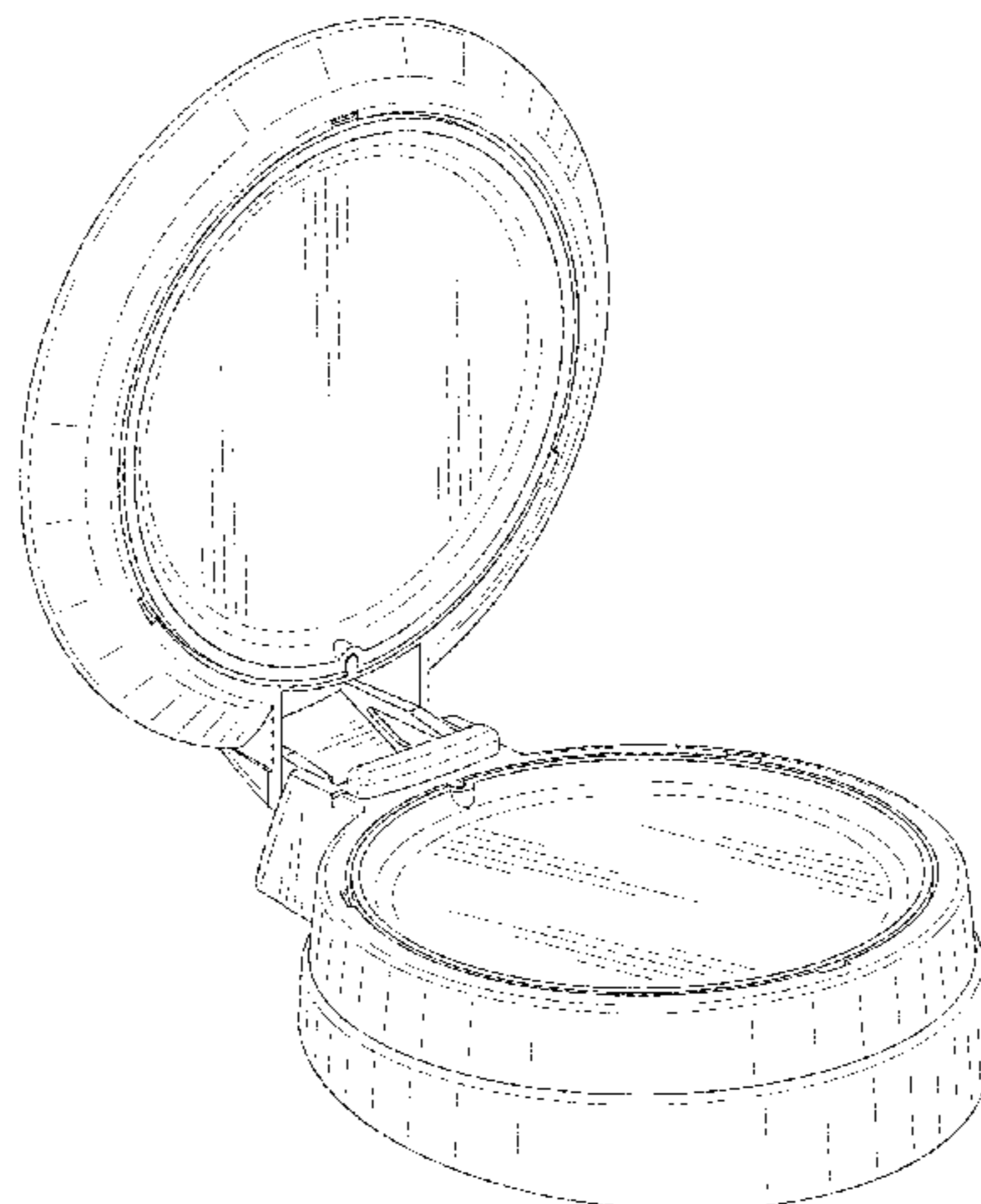
(57) **CLAIM**

The ornamental design for a food cutting apparatus, as shown and described.

**DESCRIPTION**

FIG. 1 is a perspective view of the food cutting apparatus of the present invention;  
FIG. 2 is a top plan view thereof;  
FIG. 3 is a bottom plan view thereof;  
FIG. 4 is a first side elevational view thereof;  
FIG. 5 is a second side elevational view thereof, opposite from the first side elevational view;  
FIG. 6 is a front elevational view thereof; and,  
FIG. 7 is a rear elevational view thereof.  
The broken lines in the drawings illustrate portions of the food cutting apparatus that form no part of the claim. The interior surfaces, within the almond-shaped openings at the top, form no part of the claimed design.

**1 Claim, 7 Drawing Sheets**



(56)

References Cited

OTHER PUBLICATIONS

U.S. PATENT DOCUMENTS

D599,176 S 9/2009 Seehoff et al.  
D618,517 S \* 6/2010 Wong ..... D7/672  
D673,006 S \* 12/2012 Kent ..... D7/372  
8,474,359 B2 \* 7/2013 George ..... A47J 47/005  
269/287  
2003/0101878 A1 \* 6/2003 Muldoon ..... B26B 29/063  
99/422  
2009/0282990 A1 \* 11/2009 Farnum ..... B26D 3/26  
99/537

Pampered Chef. "Close and Cut." YouTube. YouTube, Mar. 2, 2015.  
Site visited Jan. 6, 2016. <<https://www.youtube.com/watch?v=6xTcuZiJksw>>.\*  
U.S. Appl. No. 29/512,259, filed Dec. 17, 2014; title: Food Cutting  
Apparatus; Inventor(s): E. Mark Harris et al.  
U.S. Appl. No. 29/512,261, filed Dec. 17, 2014; title: Food Cutting  
Apparatus; Inventor(s): E. Mark Harris et al.

\* cited by examiner

FIG. 1



FIG. 2

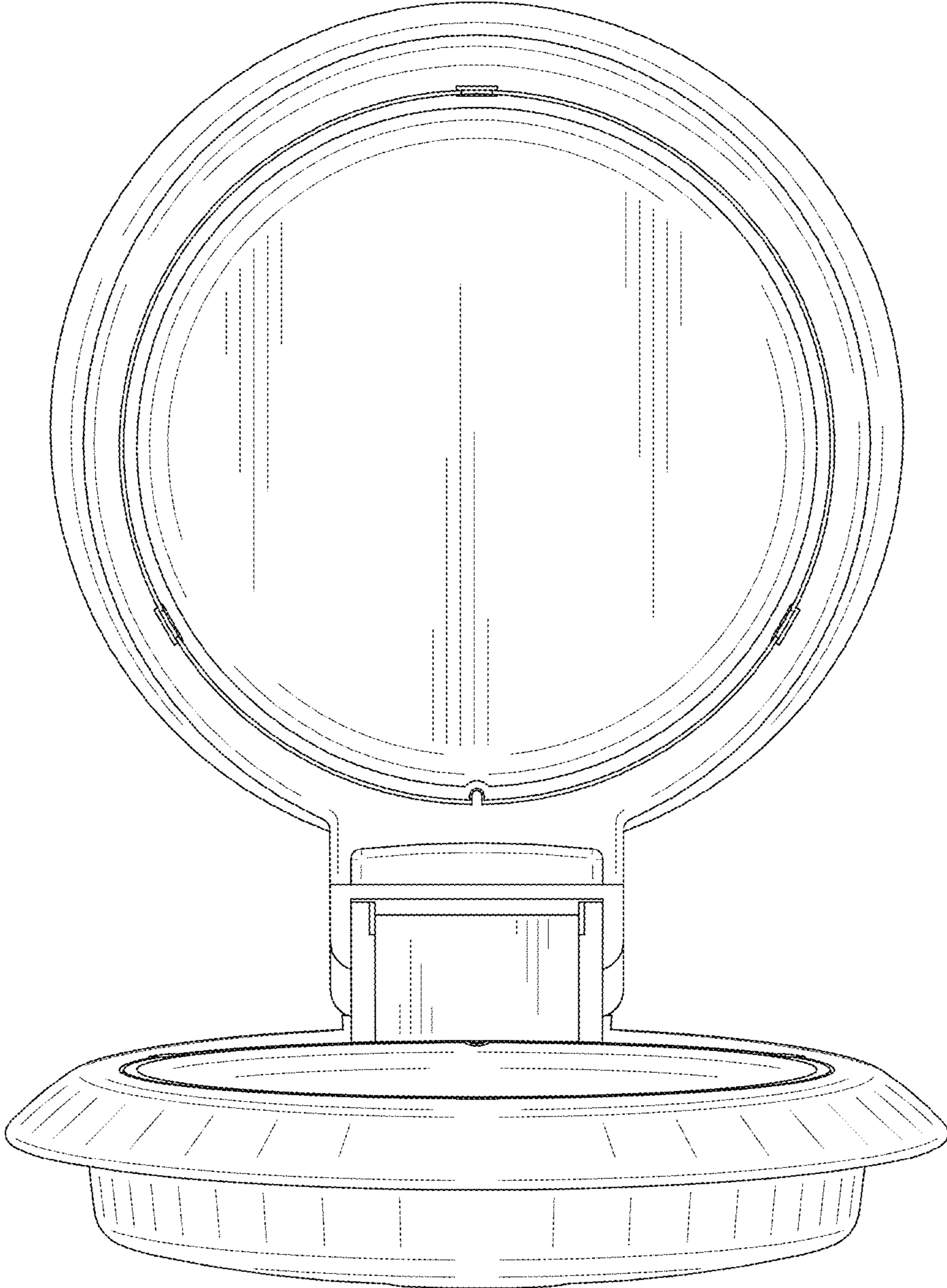




FIG. 3

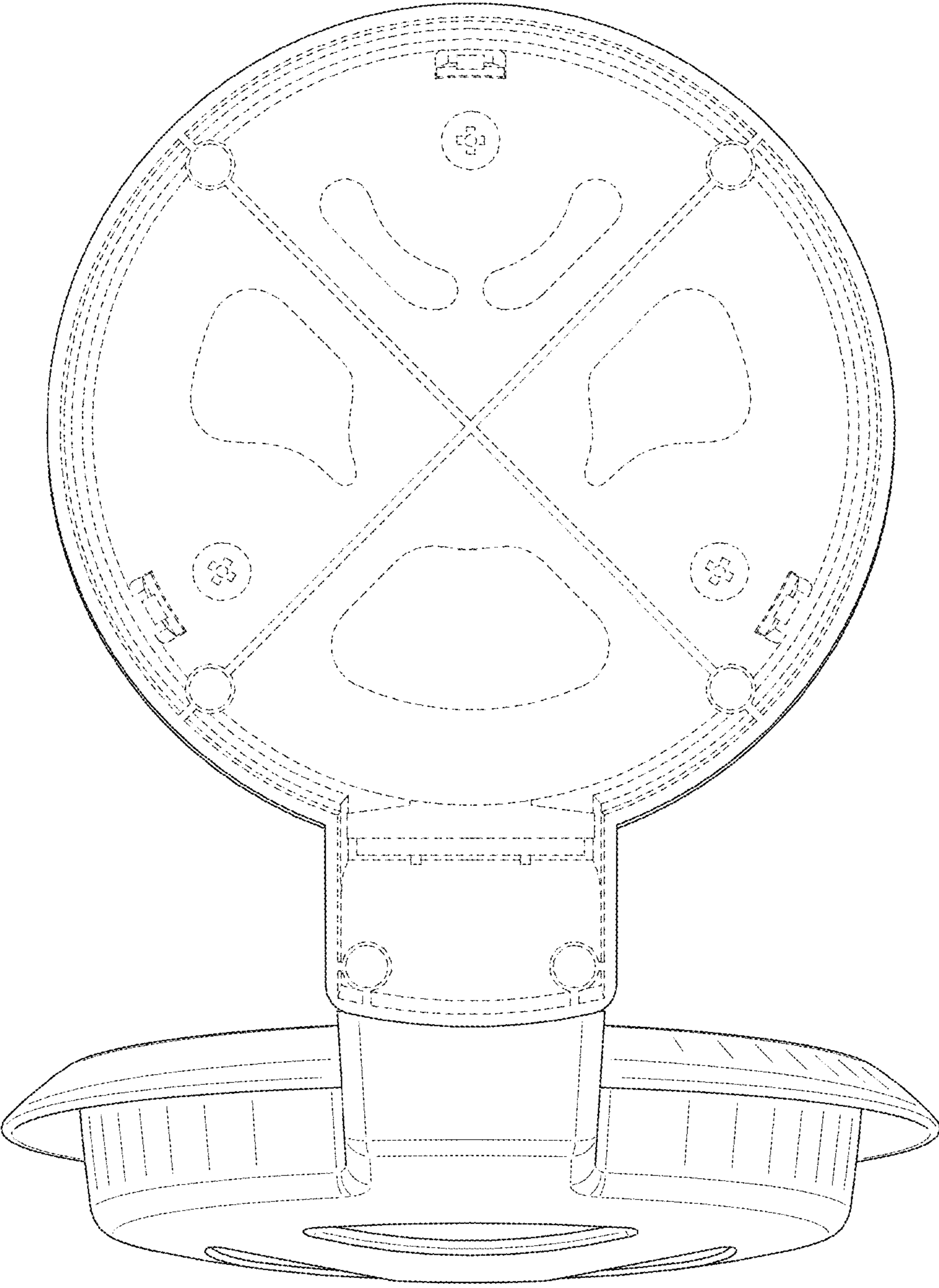


FIG. 4

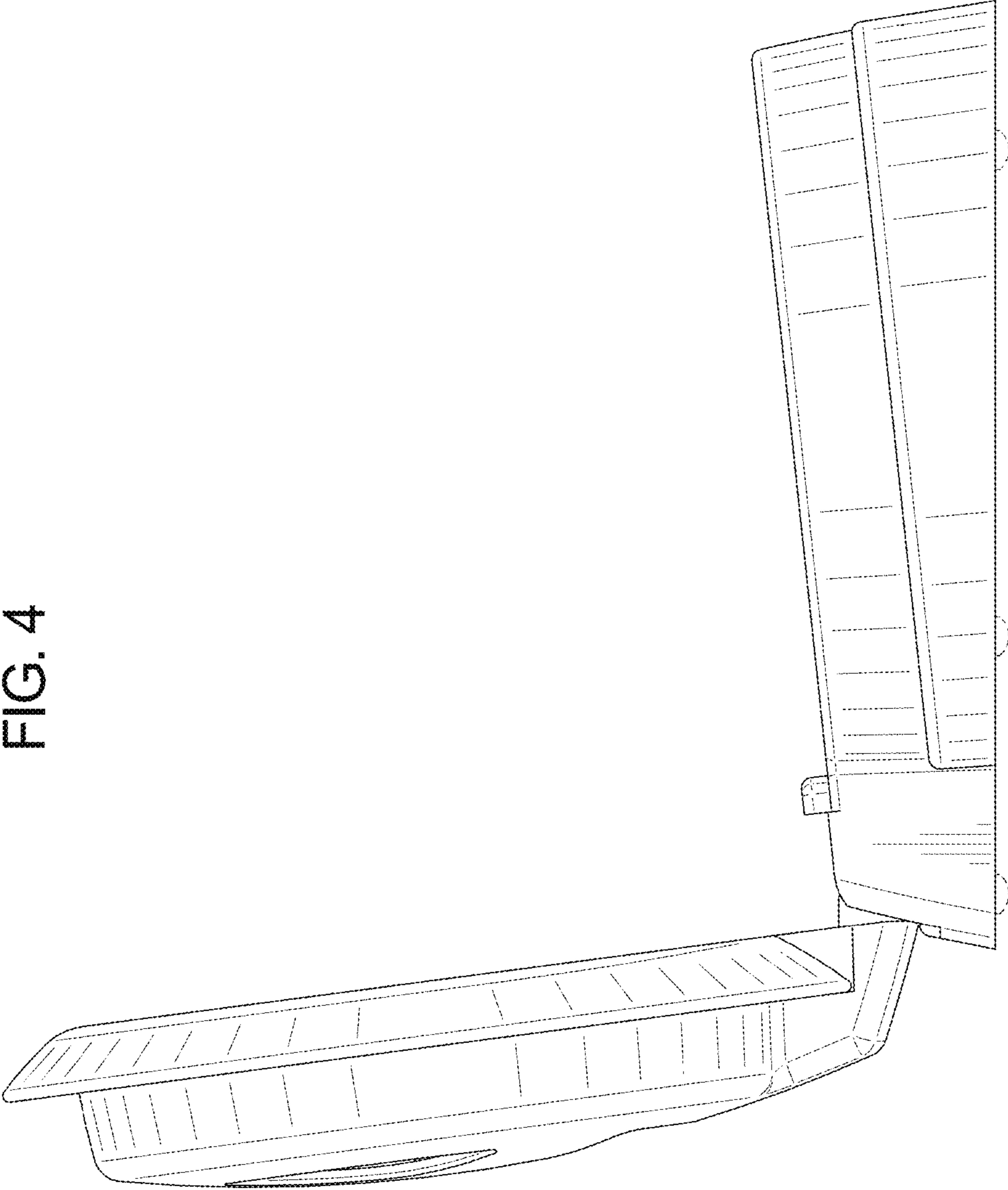
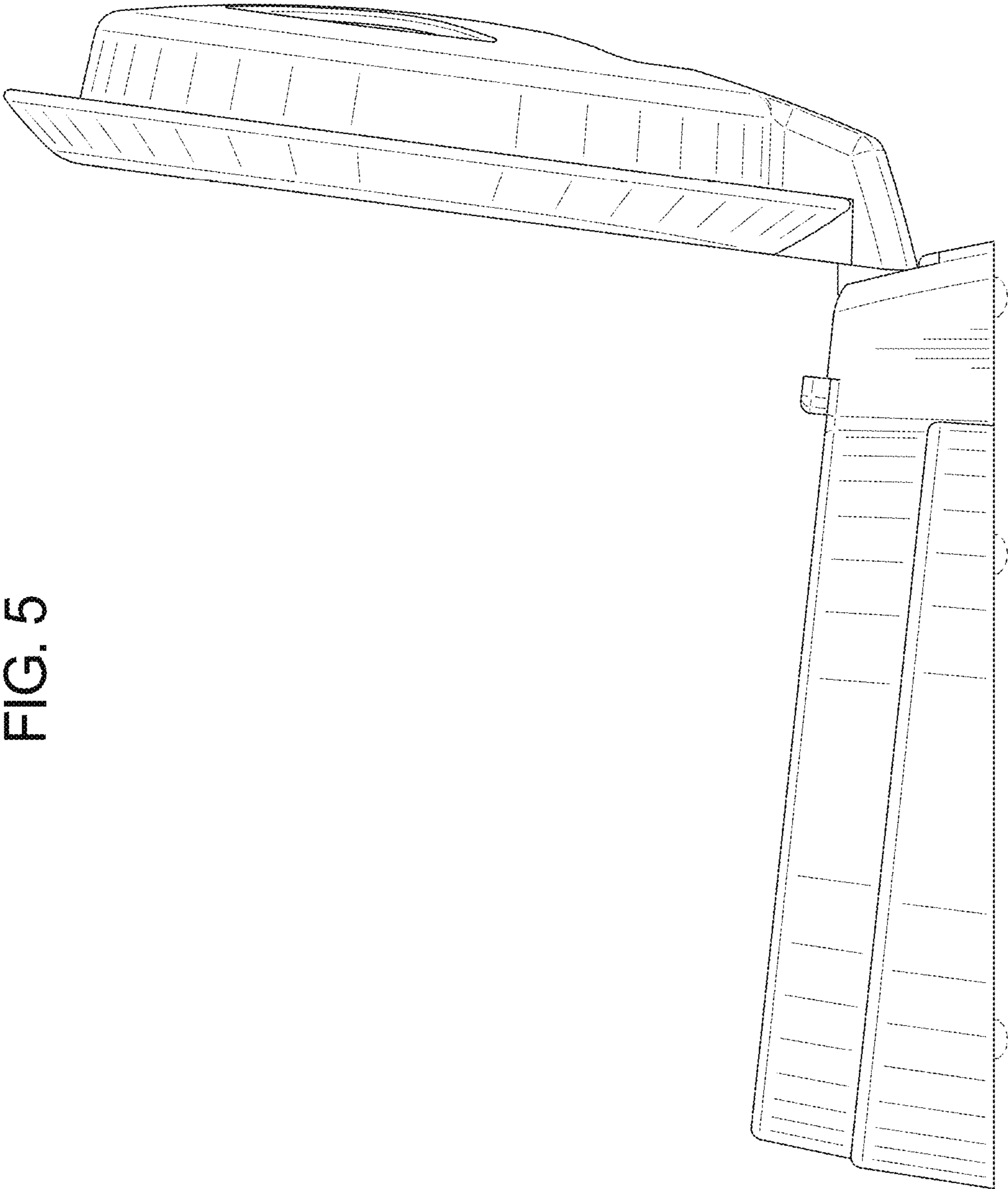


FIG. 5



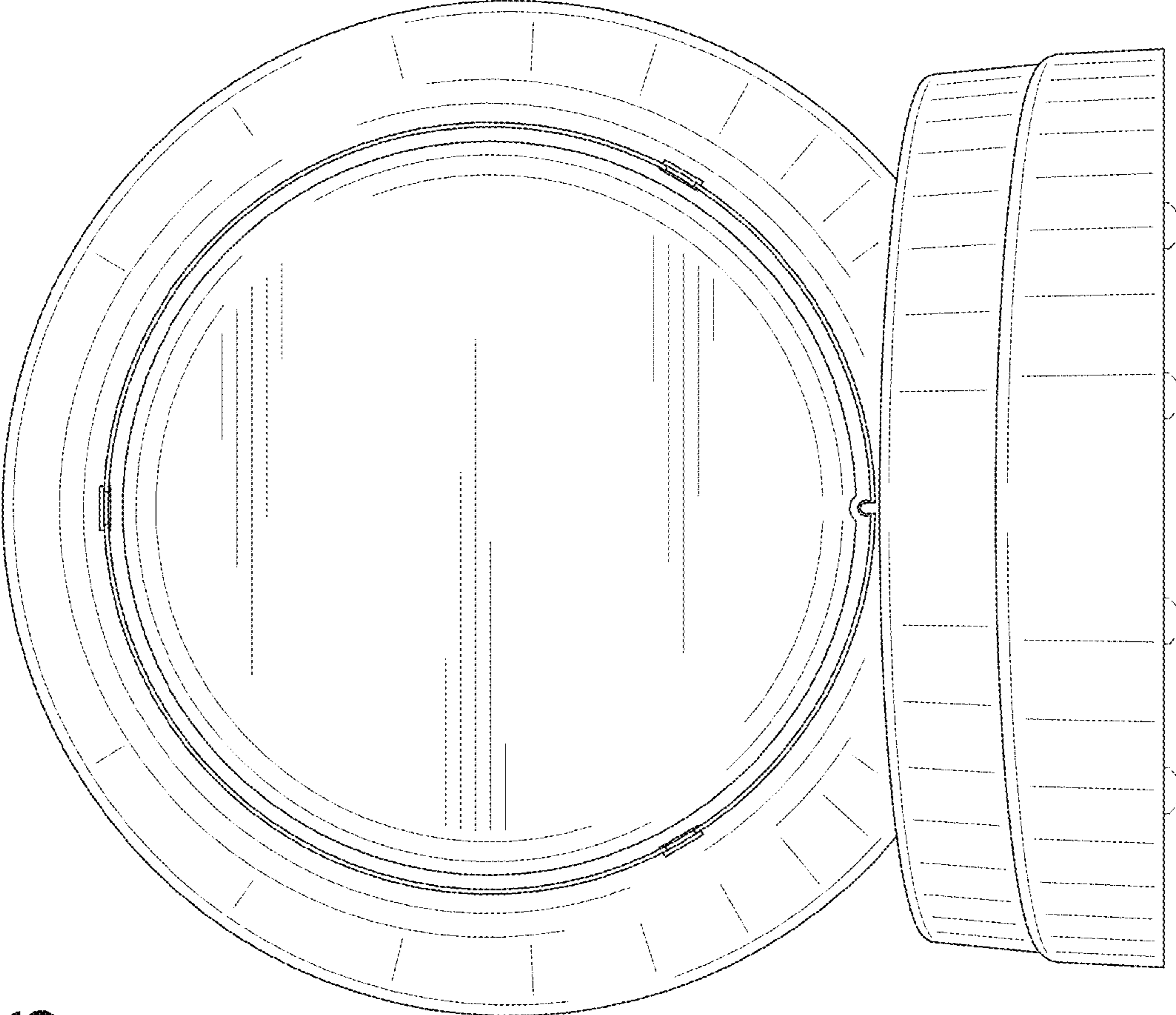


FIG. 6



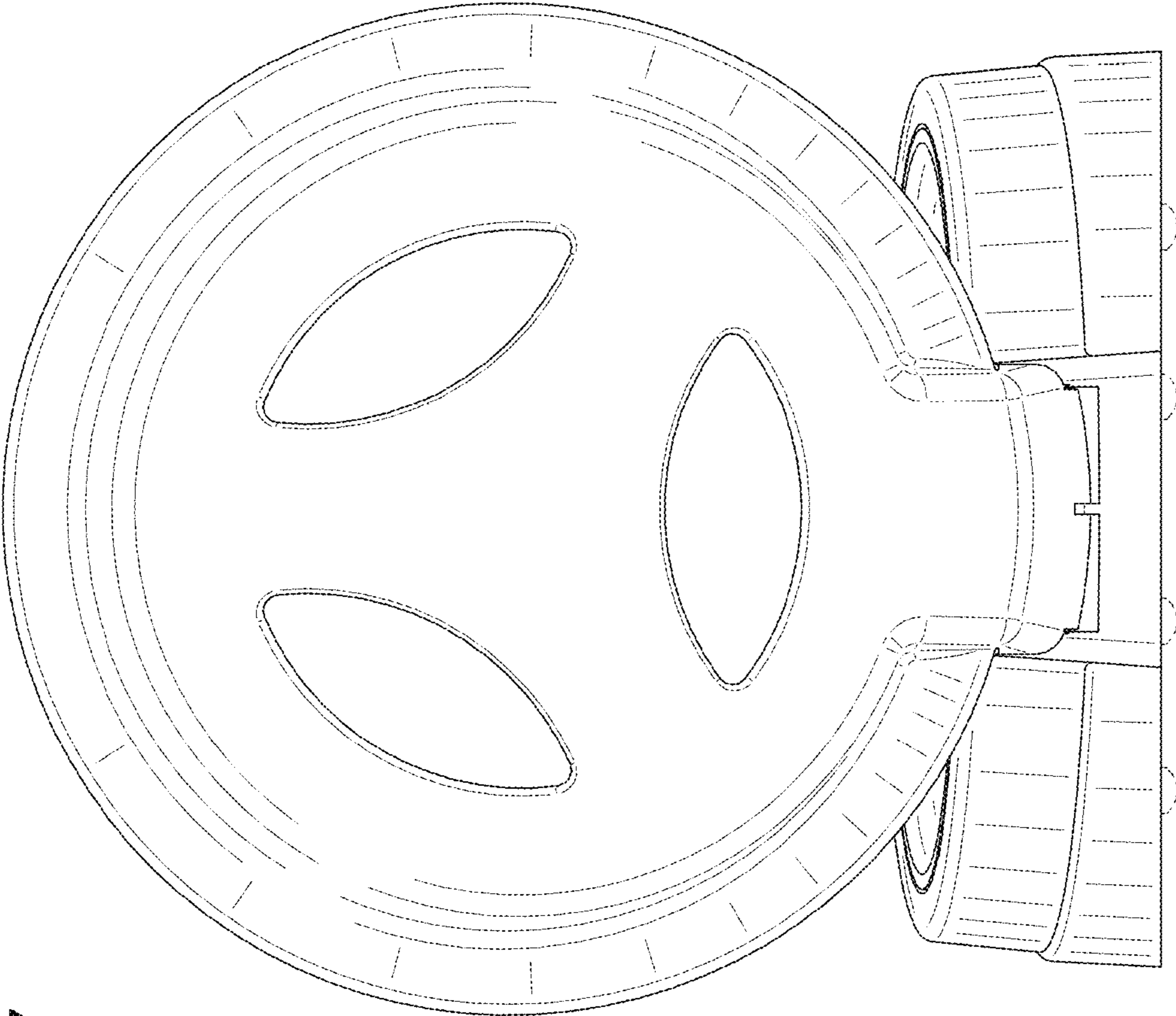


FIG. 7