



US00D768441S

(12) **United States Design Patent** (10) **Patent No.:** **US D768,441 S**
Rook (45) **Date of Patent:** **** Oct. 11, 2016**

- (54) **BEVERAGE CARTRIDGE RACK**
- (71) Applicant: **Daniel Rook**, Pittsford, NY (US)
- (72) Inventor: **Daniel Rook**, Pittsford, NY (US)
- (73) Assignee: **Daniel Rook**, Pittsford, NY (US)
- (**) Term: **14 Years**
- (21) Appl. No.: **29/460,713**
- (22) Filed: **Jul. 12, 2013**
- (51) **LOC (10) Cl.** **07-06**
- (52) **U.S. Cl.**
USPC **D7/600.1**
- (58) **Field of Classification Search**
USPC D7/600.1-600.4, 701-708; D3/202,
D3/328; 211/13.1, 85.31, 71.1, 71.01, 74,
211/75, 60.1, 70.6, 70.7; 248/311.2, 309.1,
248/176.1
CPC A47F 5/112; A47F 5/10; A47F 5/11;
A47F 7/0028; A47F 7/00; B65D 71/50;
B65D 85/24; A47B 81/007; A61B 19/0256;
A61B 2019/0258; A61M 5/008; A47J 47/00;
A47J 47/01; A47J 47/16; A47J 47/20
See application file for complete search history.

- (56) **References Cited**
U.S. PATENT DOCUMENTS
1,687,138 A * 10/1928 Myers A47F 5/112
206/486
2,426,750 A * 9/1947 Reutner B65D 71/50
211/74
2,905,332 A * 9/1959 Myers A47F 5/112
211/70.1
3,214,031 A * 10/1965 McCauley A47B 81/007
211/181.1
3,300,055 A * 1/1967 Rohr A47B 81/007
116/307

(Continued)

Primary Examiner — Lakiya Rogers
Assistant Examiner — Shannon Morgan

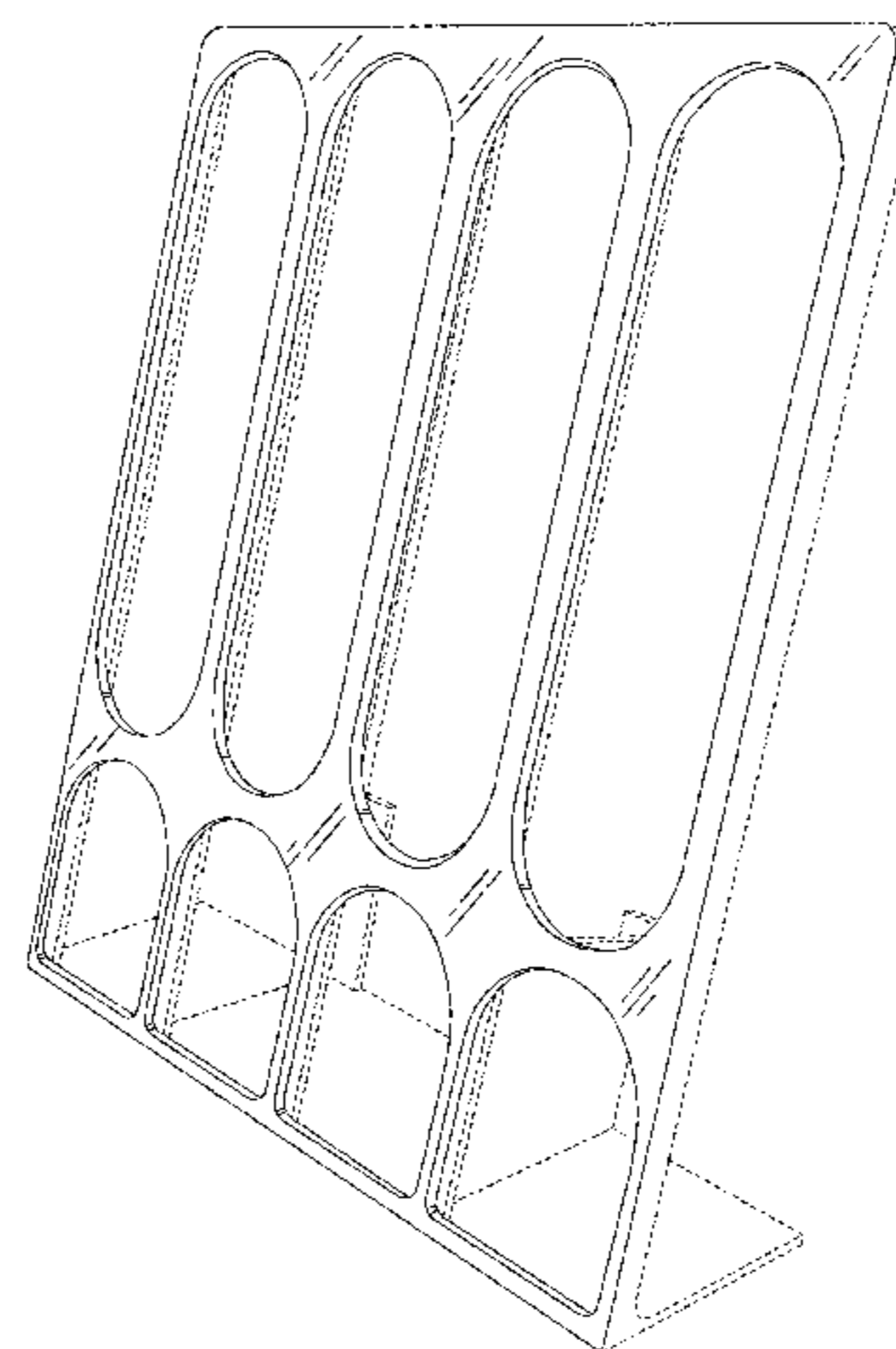
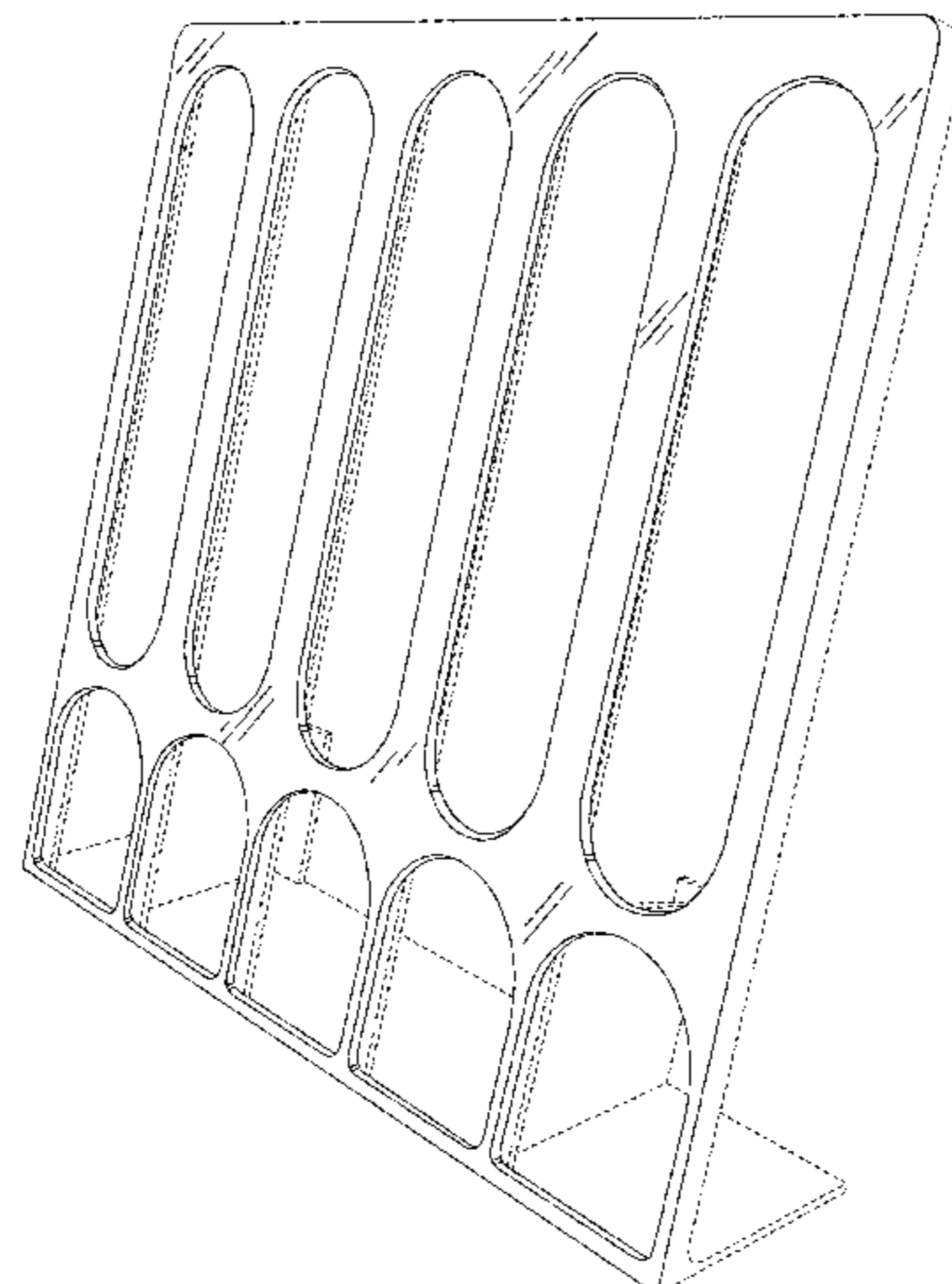
(74) *Attorney, Agent, or Firm* — Tracy Jong Law Firm;
Tracy P. Jong; Cheng Ning Jong

(57) **CLAIM**
The ornamental design for a beverage cartridge rack, as shown and described.

DESCRIPTION

FIG. 1 is a top, front perspective view of a first embodiment of a beverage cartridge rack showing my new design; FIG. 2 is a front elevational view thereof; FIG. 3 is a top plan view thereof; FIG. 4 is a bottom plan view thereof; FIG. 5 is a right side elevational view thereof; FIG. 6 is a left side elevational view thereof; FIG. 7 is another top, front perspective view thereof; FIG. 8 is a top, rear perspective view thereof; FIG. 9 is another top, rear perspective view thereof; FIG. 10 is another right side elevational view thereof; FIG. 11 is a top, front perspective view of a second embodiment of a beverage cartridge rack showing my new design; FIG. 12 is a front elevational view thereof; FIG. 13 is a top plan view thereof; FIG. 14 is a bottom plan view thereof; FIG. 15 is a right side elevational view thereof; FIG. 16 is a left side elevational view thereof; FIG. 17 is a top, front perspective view of a third embodiment of a beverage cartridge rack showing my new design; FIG. 18 is a front elevational view thereof; FIG. 19 is a top plan view thereof; FIG. 20 is a bottom plan view thereof; FIG. 21 is a right side elevational view thereof; FIG. 22 is a left side elevational view thereof; FIG. 23 is a top, front perspective view of a fourth embodiment of a beverage cartridge rack showing my new design; FIG. 24 is a front elevational view thereof; FIG. 25 is a top plan view thereof; FIG. 26 is a bottom plan view thereof; FIG. 27 is a right side elevational view thereof; and, FIG. 28 is a left side elevational view thereof. The broken lines in FIGS. 1-28 represent portions of the beverage cartridge rack that form no part of the claimed design.

1 Claim, 17 Drawing Sheets



(56)

References Cited

U.S. PATENT DOCUMENTS

3,602,371 A * 8/1971 Weiner B01L 9/06
206/443
D267,914 S * 2/1983 Lin D6/513
4,874,100 A * 10/1989 Smagula A47G 25/743
211/113
D365,732 S * 1/1996 Kellen D6/705.7
6,012,595 A * 1/2000 Thilly A61M 5/008
211/60.1
6,142,314 A * 11/2000 Cotterill A47F 7/0028
211/26
D528,876 S * 9/2006 King D7/701
D540,630 S * 4/2007 Jenkins D3/313
D551,038 S * 9/2007 Evaimalo D7/708
D594,294 S * 6/2009 Hamblin D7/707
D602,314 S * 10/2009 Stravitz D7/701
D620,728 S * 8/2010 Snider D7/600.1
D627,988 S 11/2010 Chapman et al.
D634,983 S * 3/2011 Chen D7/619.1

D635,405 S * 4/2011 Tiemann D7/600.4
D636,231 S 4/2011 Melocchi
D639,611 S * 6/2011 Goodman D7/600.4
D650,636 S * 12/2011 Roth D7/600.1
D656,363 S * 3/2012 Tiemann D7/600.1
D656,794 S * 4/2012 Goodman D7/600.1
D657,200 S * 4/2012 Chen D7/600.1
D661,952 S 6/2012 Tiemann
D675,490 S * 2/2013 Dara D7/701
8,496,125 B2 * 7/2013 Chen A47F 7/28
211/49.1
D692,279 S * 10/2013 Chen D7/619.1
D695,078 S * 12/2013 Hertaus D7/600.1
D705,618 S * 5/2014 Reid, Jr. D7/701
D708,760 S * 7/2014 Smeja D24/229
D708,761 S * 7/2014 Smeja D24/229
D708,762 S * 7/2014 Smeja D24/229
D708,763 S * 7/2014 Smeja D24/229
D712,205 S * 9/2014 Yoder D7/600.1
D734,867 S * 7/2015 Smeja D24/230
D739,680 S * 9/2015 Smeja D24/230

* cited by examiner

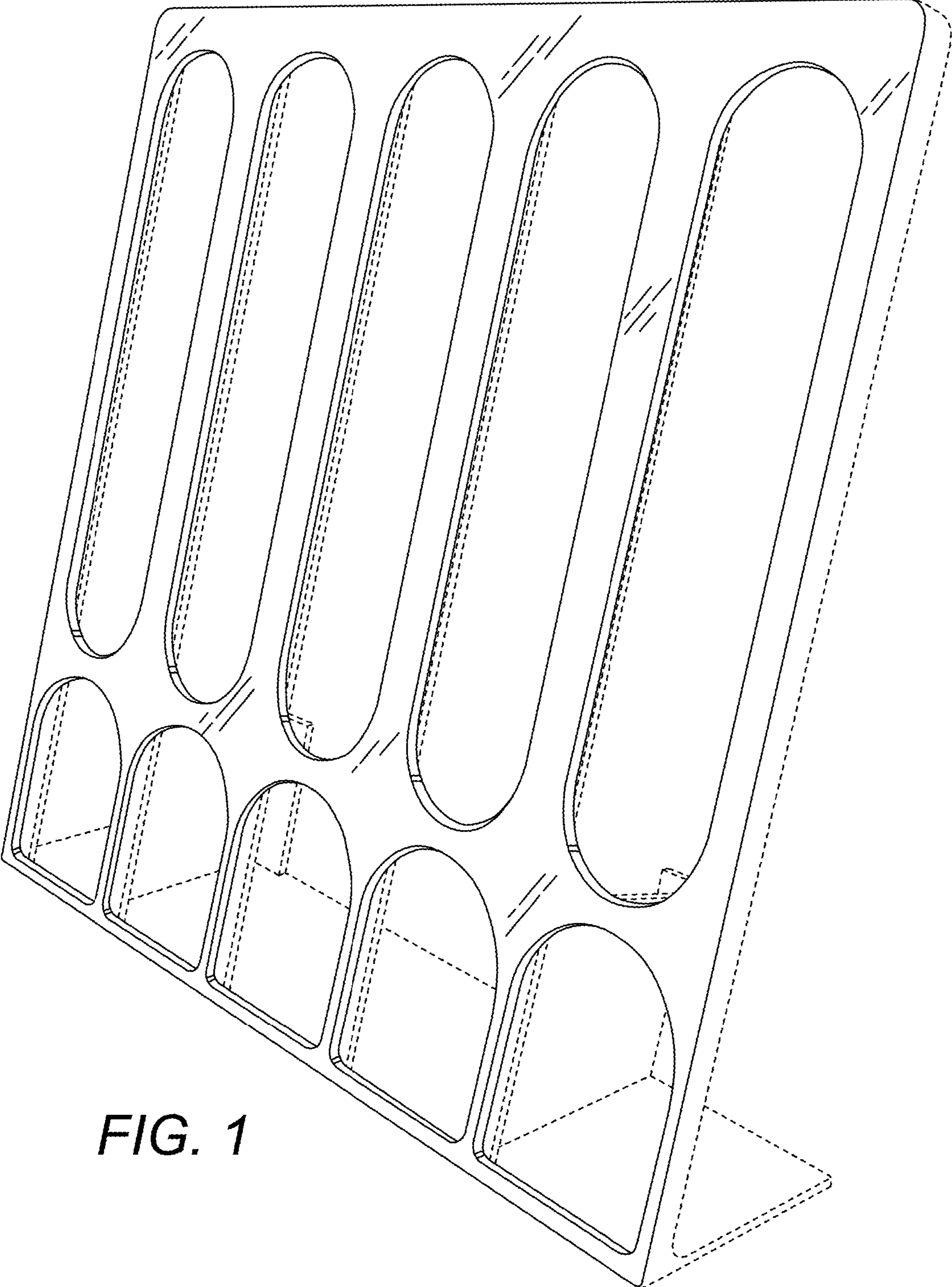


FIG. 1

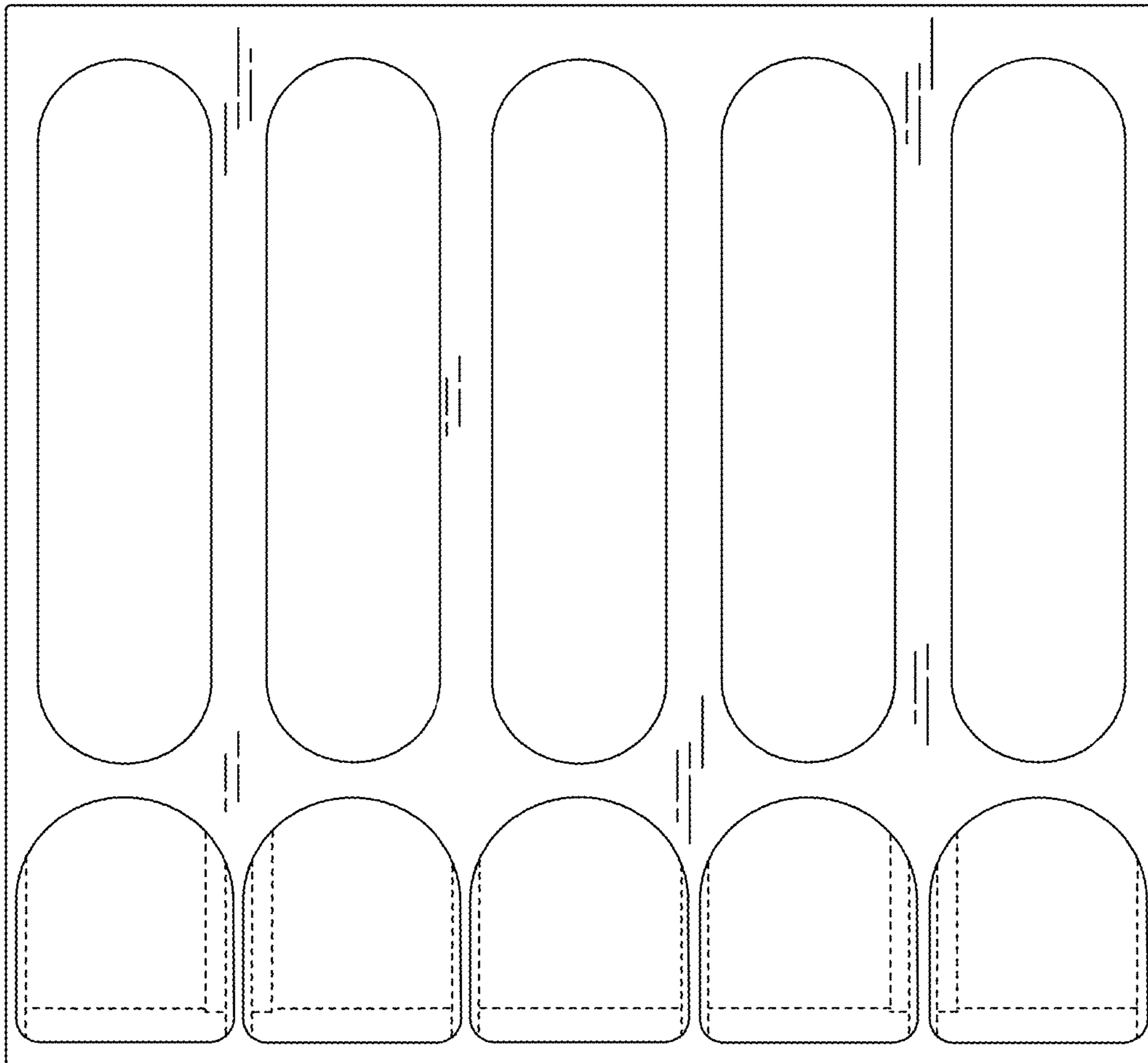


FIG. 2

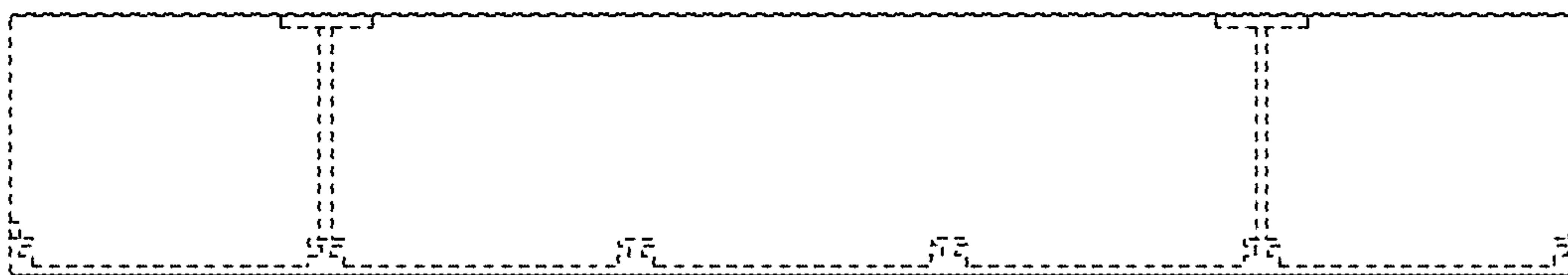


FIG. 3

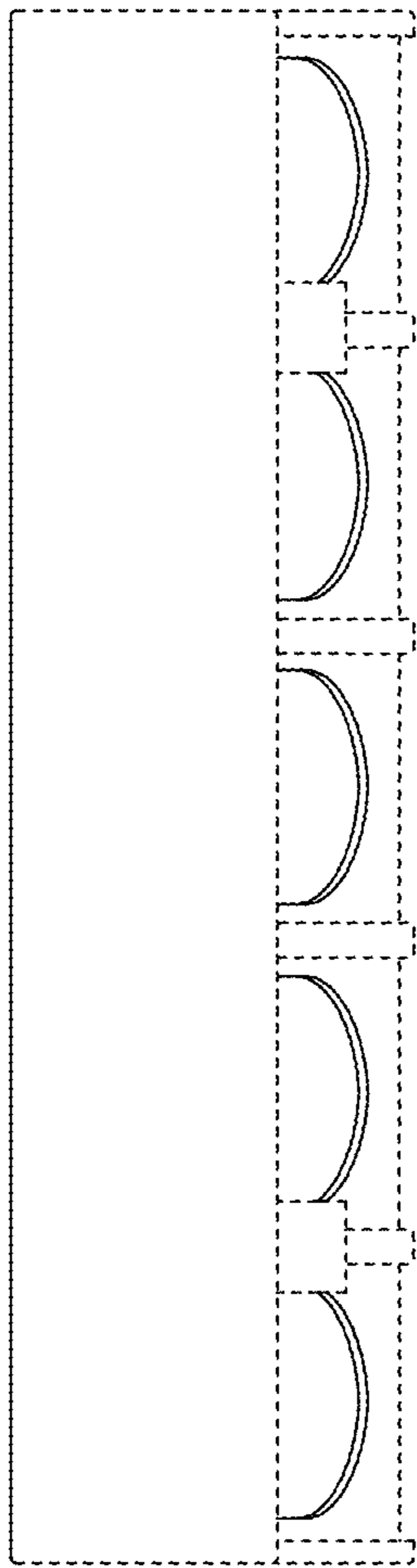


FIG. 4

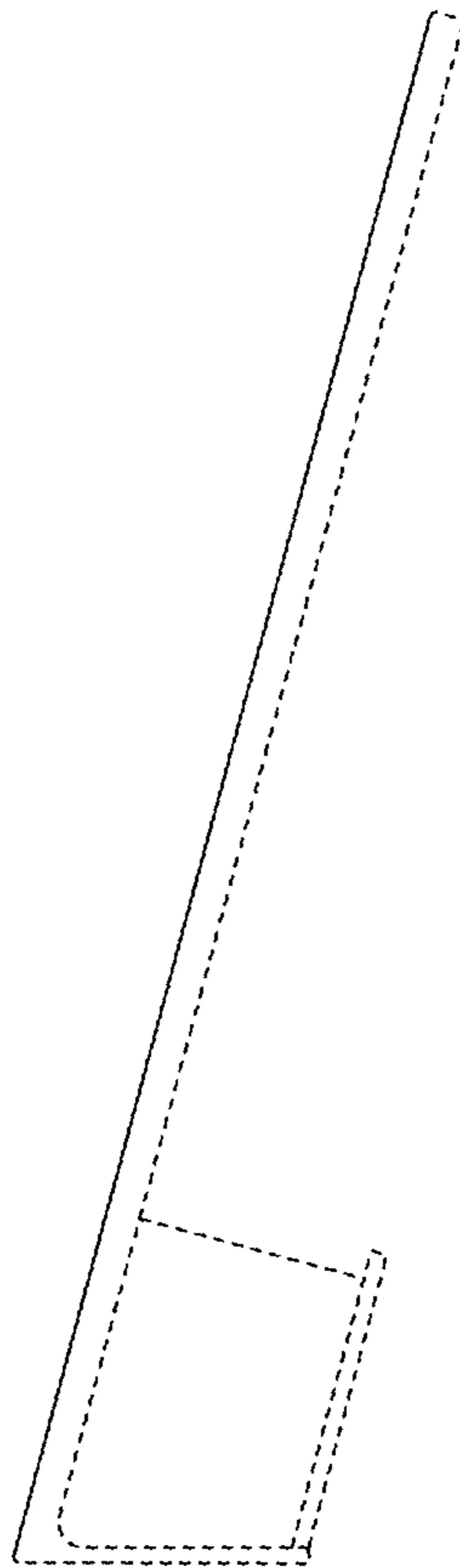


FIG. 5

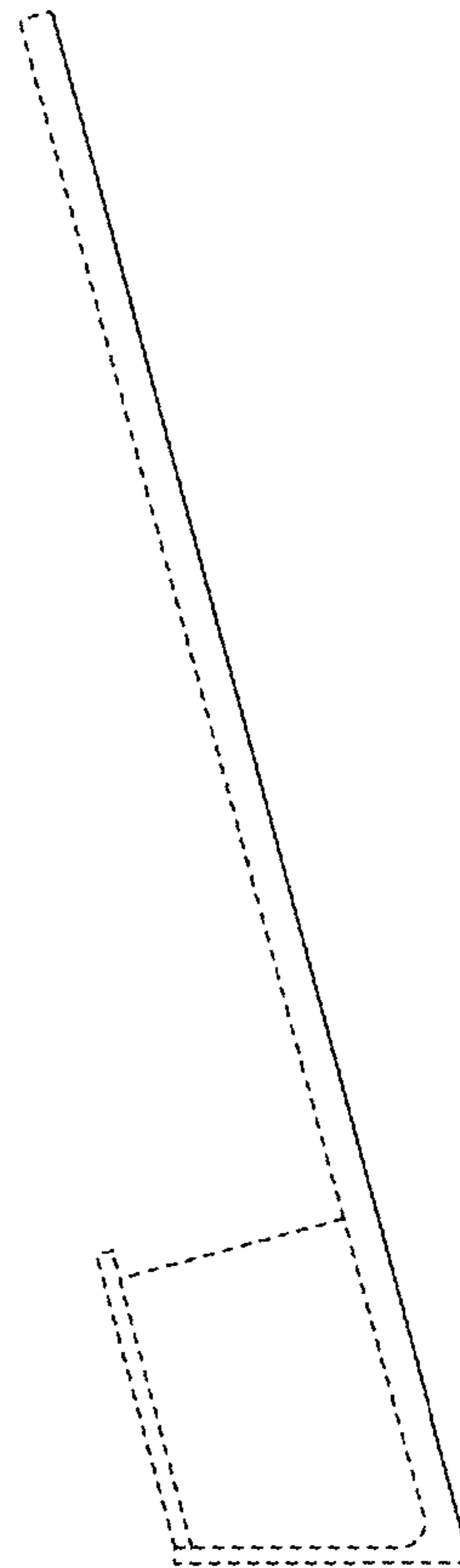


FIG. 6

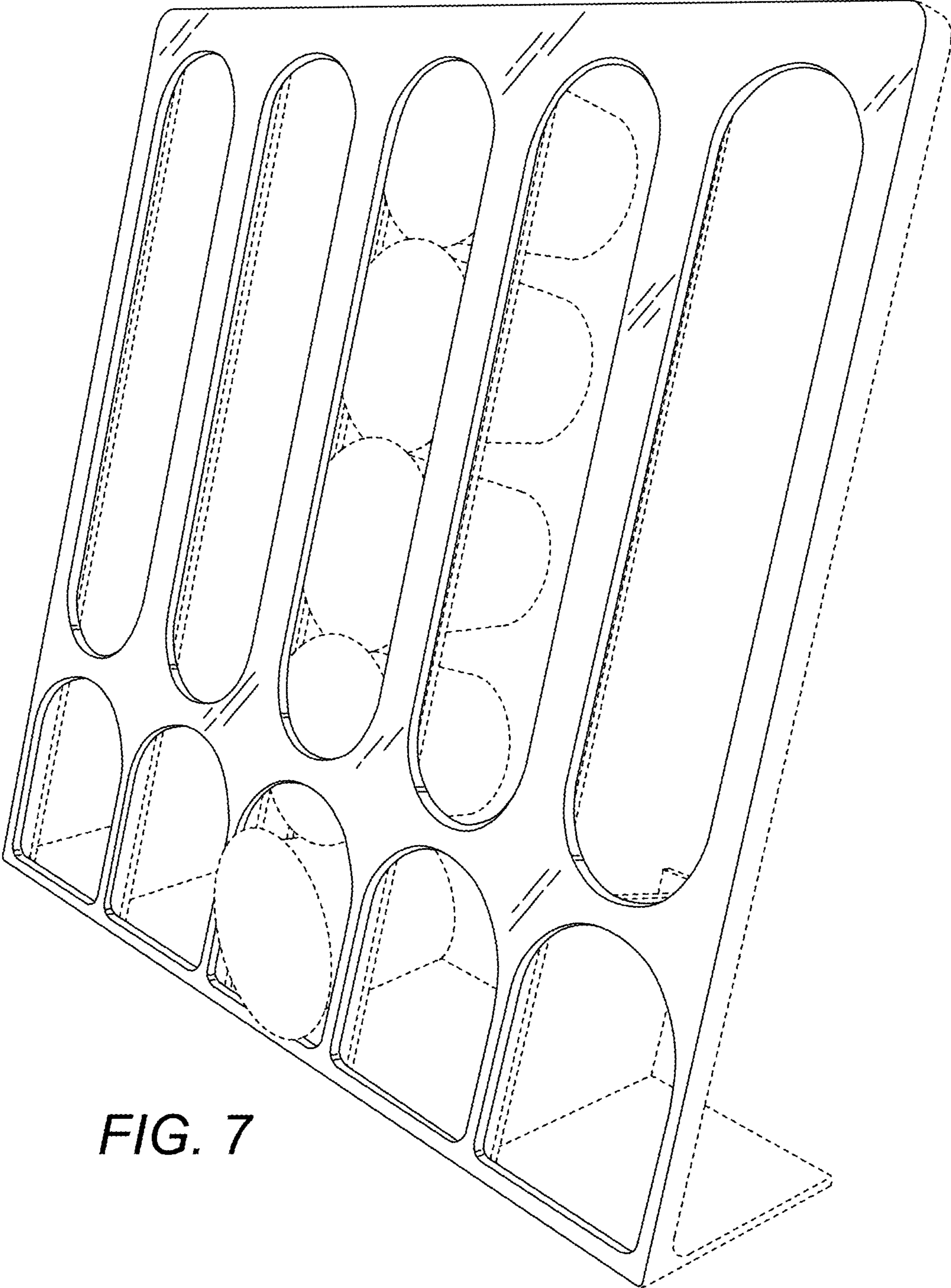


FIG. 7

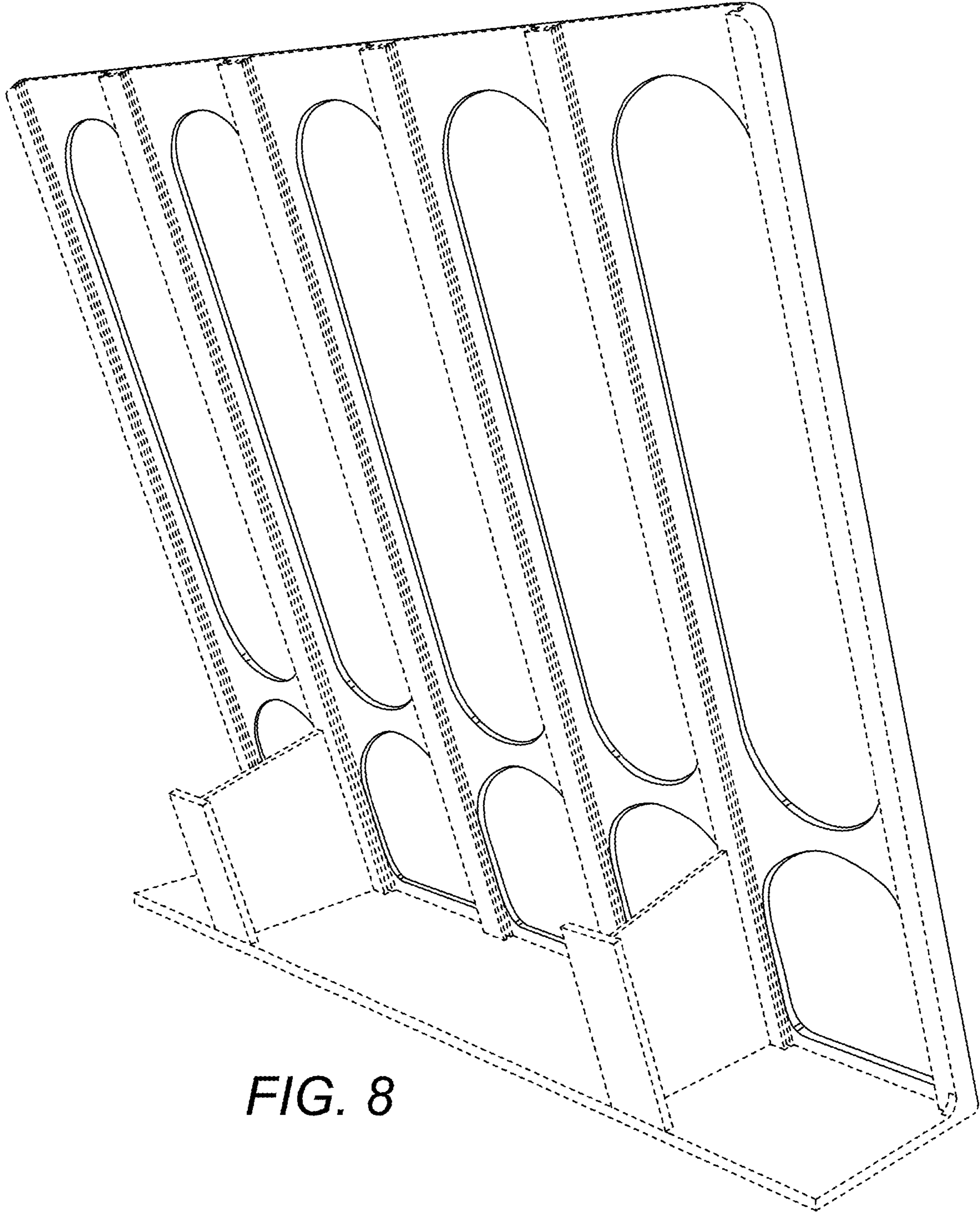


FIG. 8

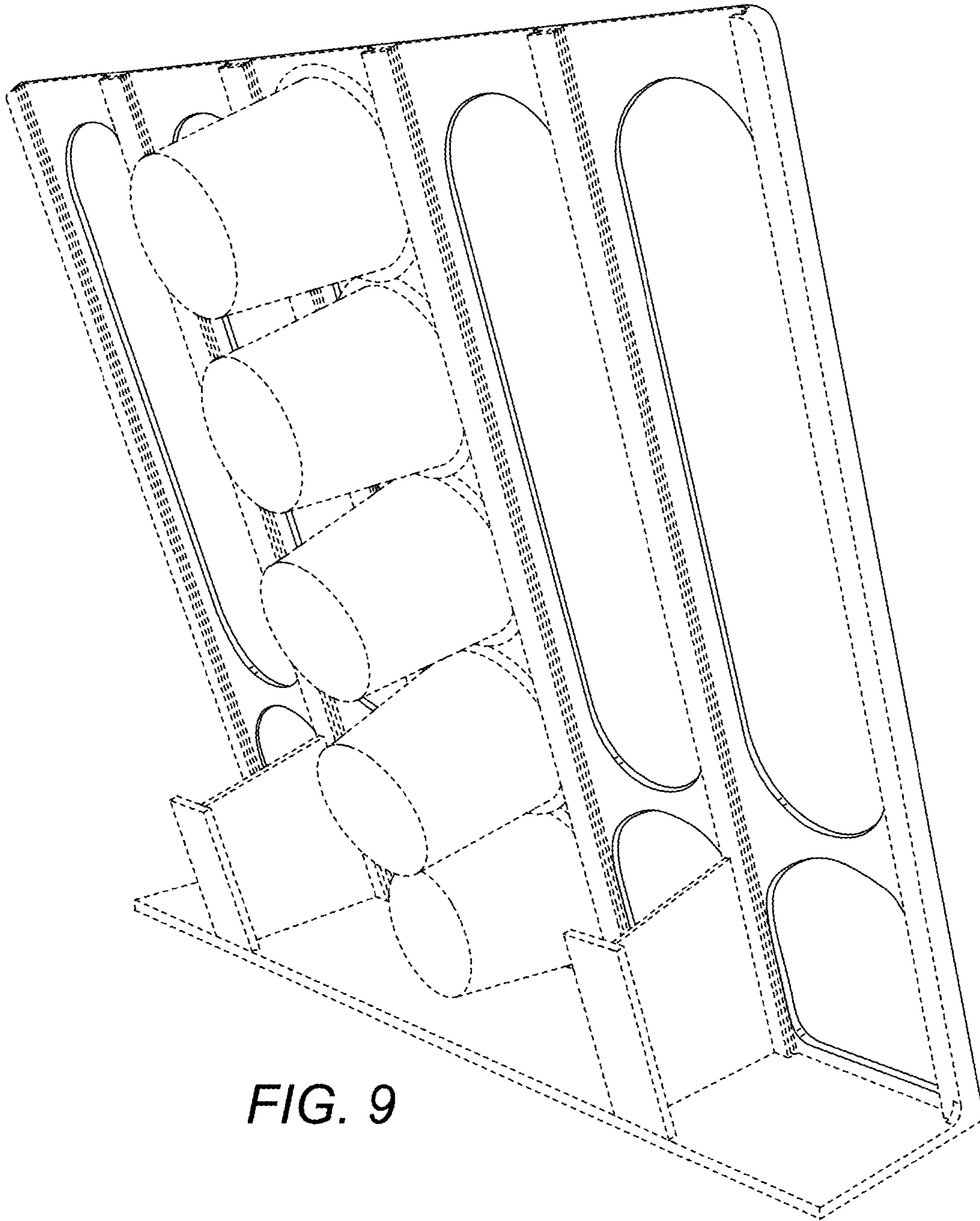


FIG. 9

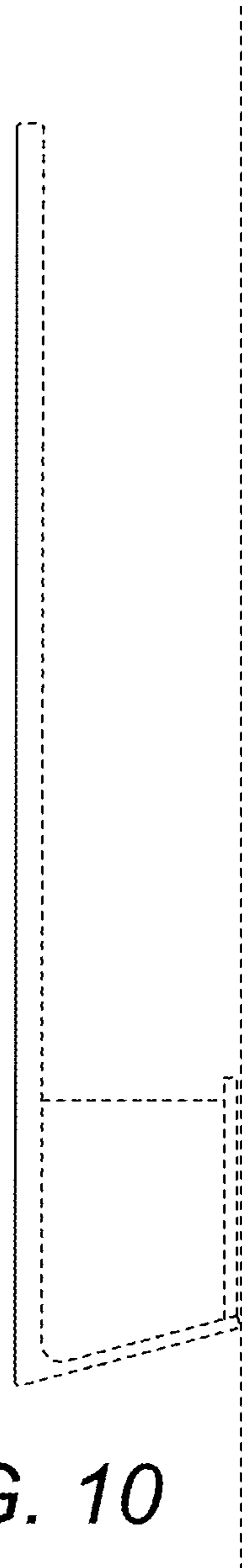


FIG. 10

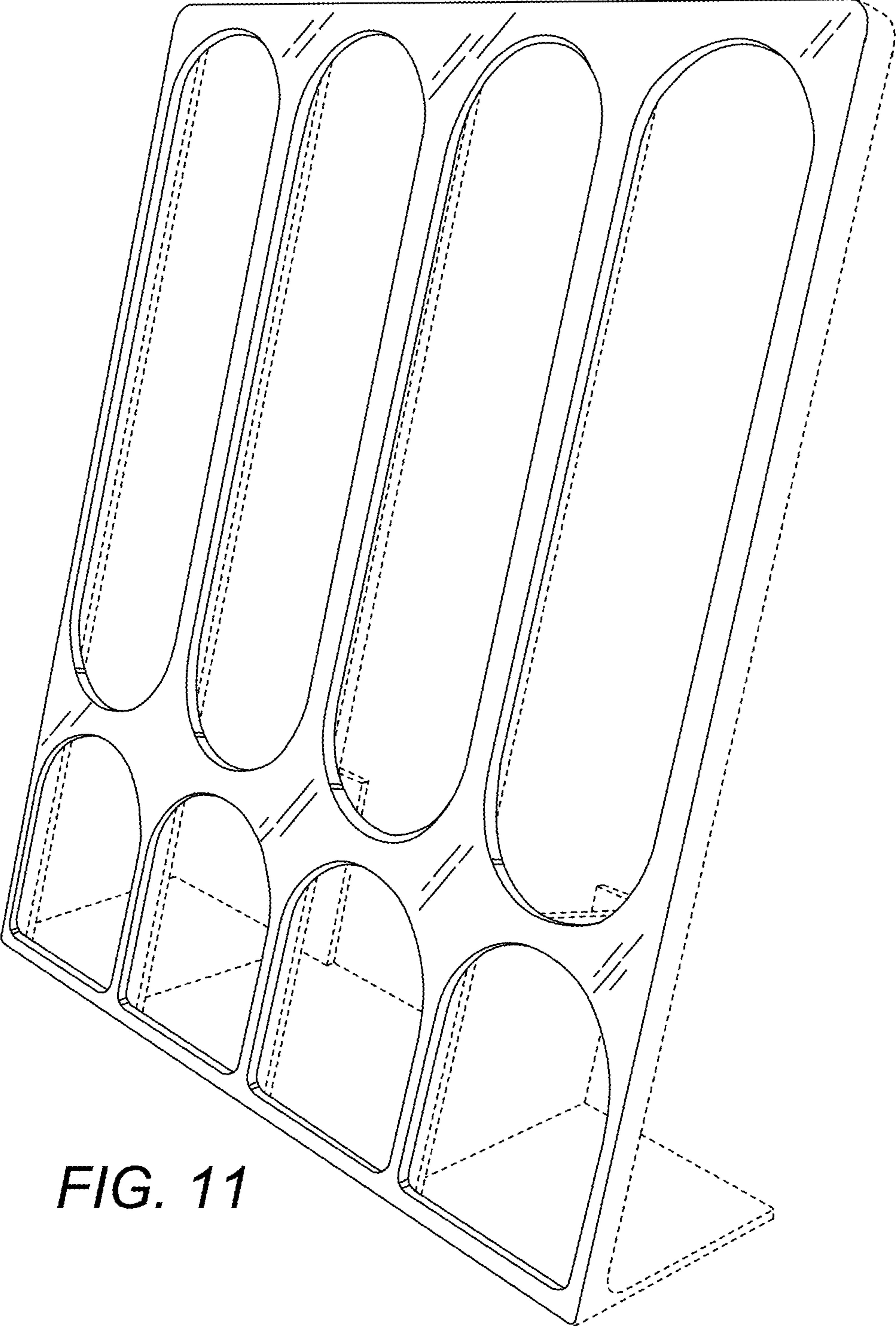


FIG. 11

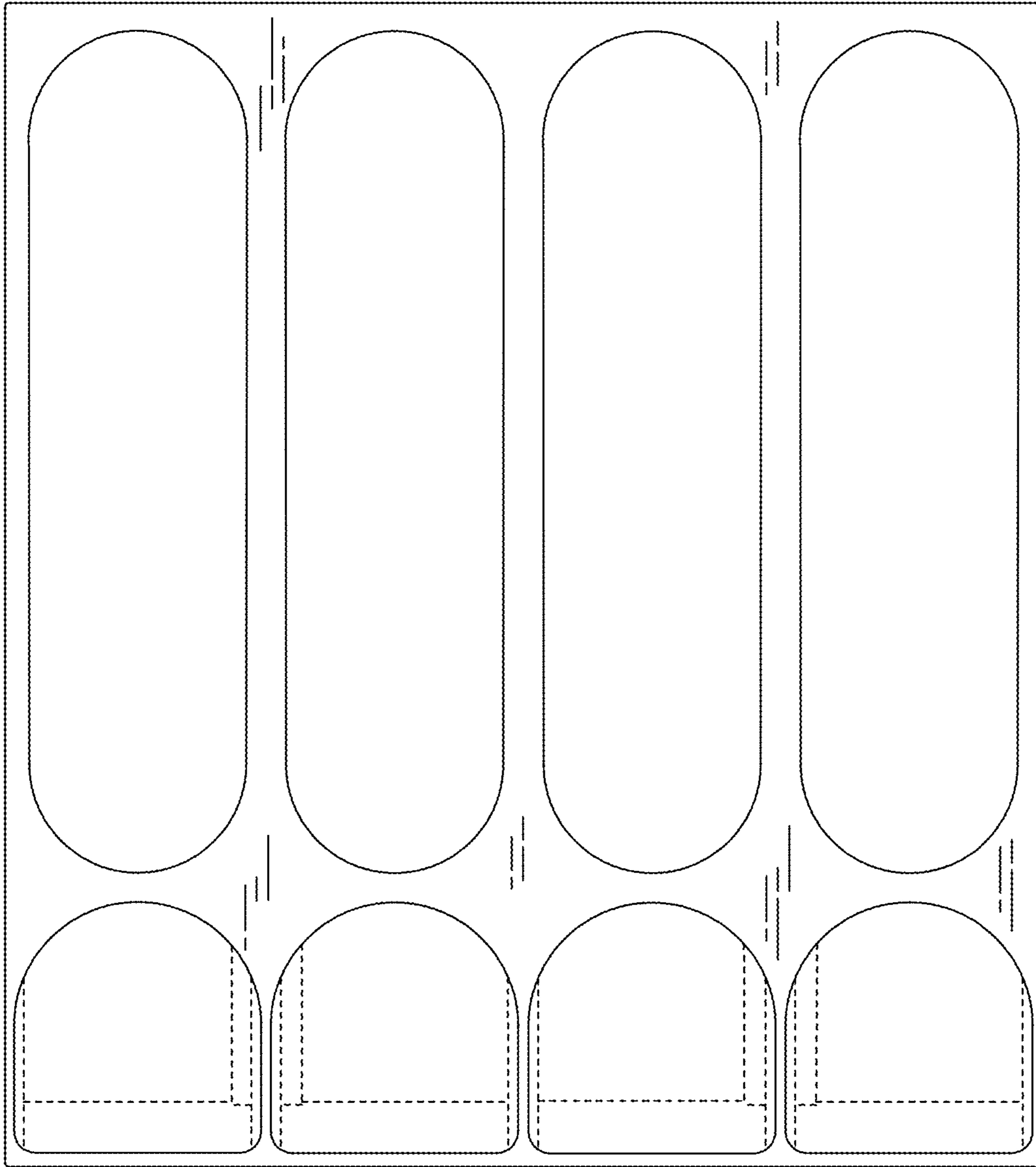


FIG. 12

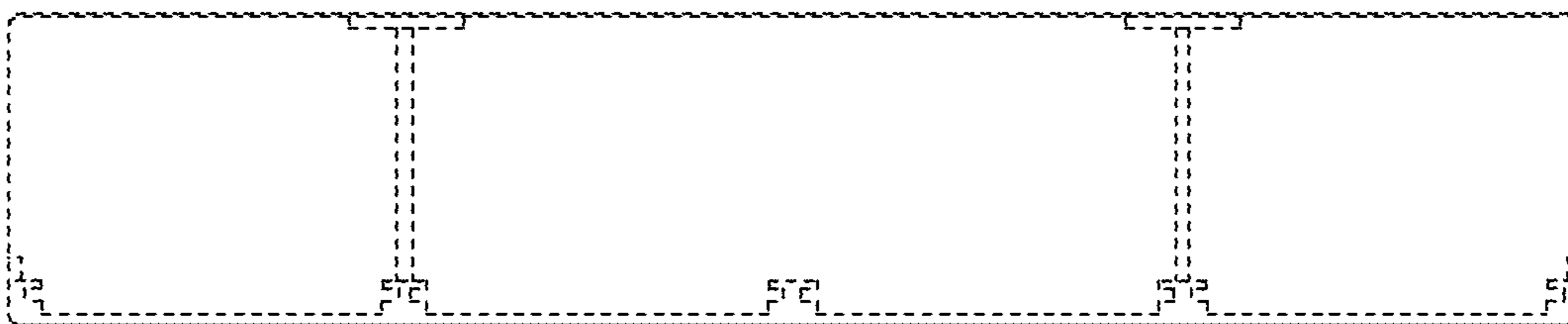


FIG. 13

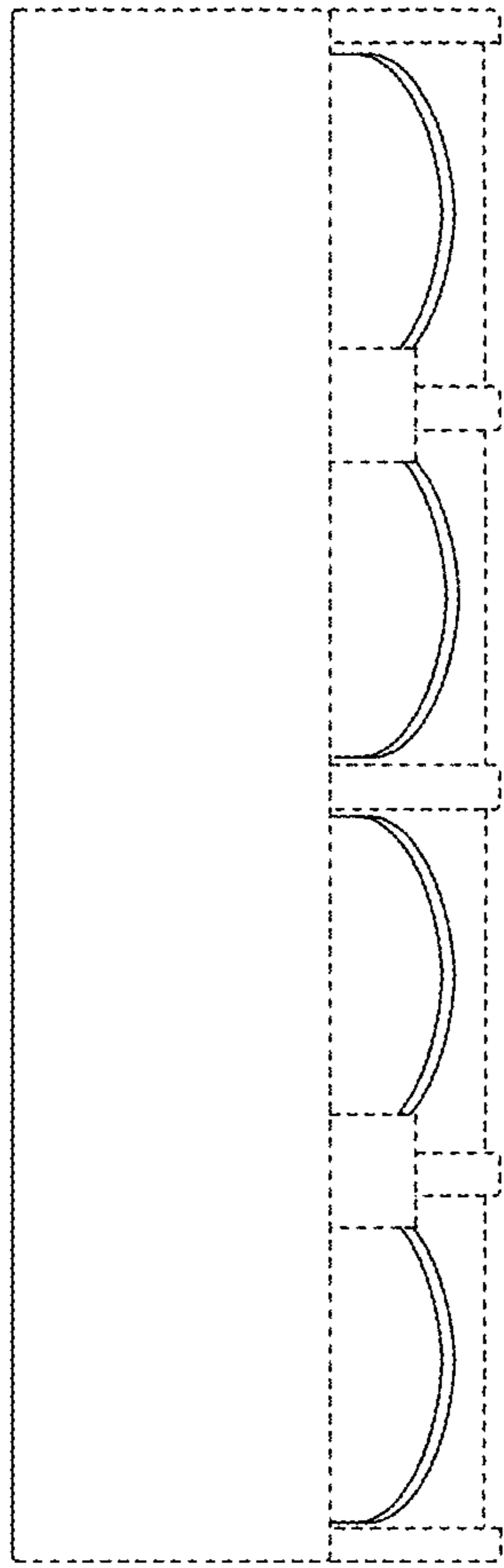


FIG. 14

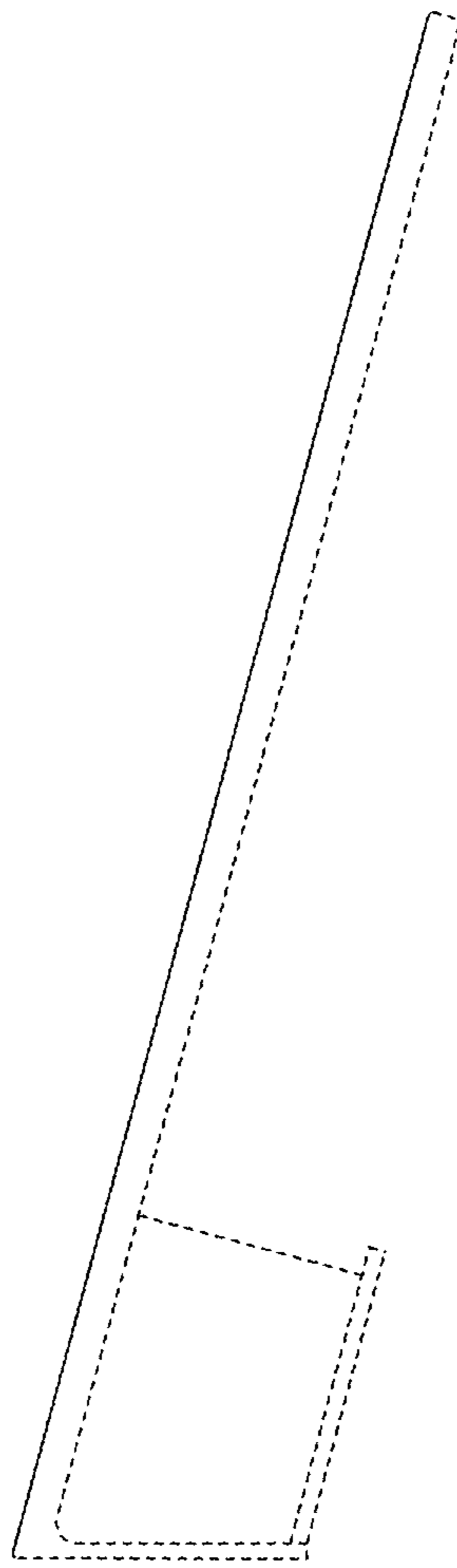


FIG. 15

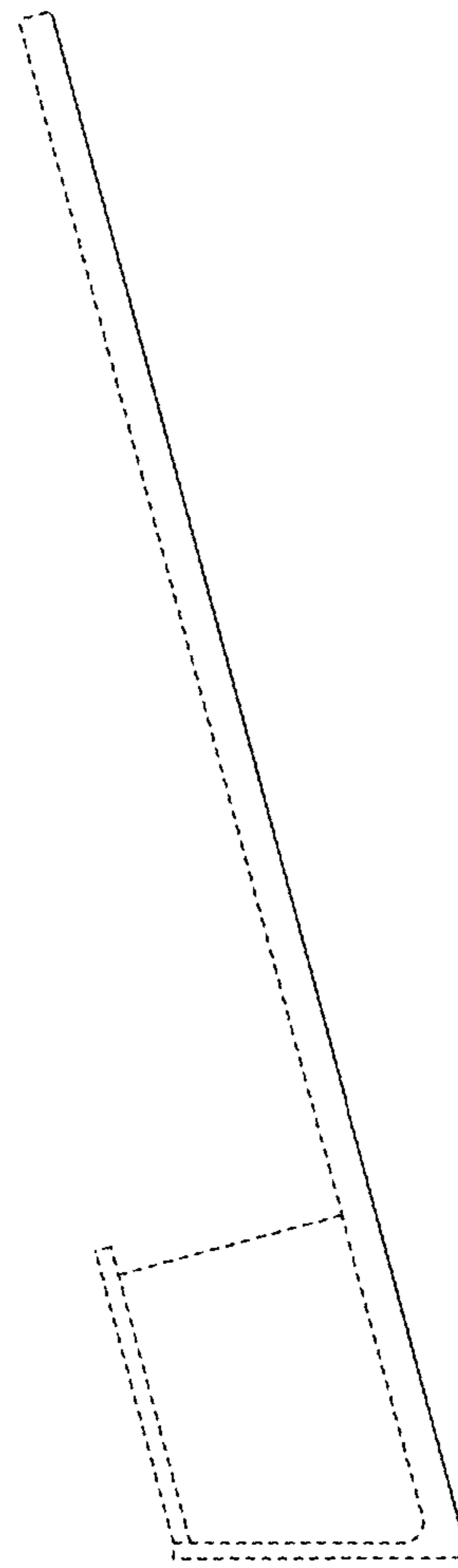


FIG. 16

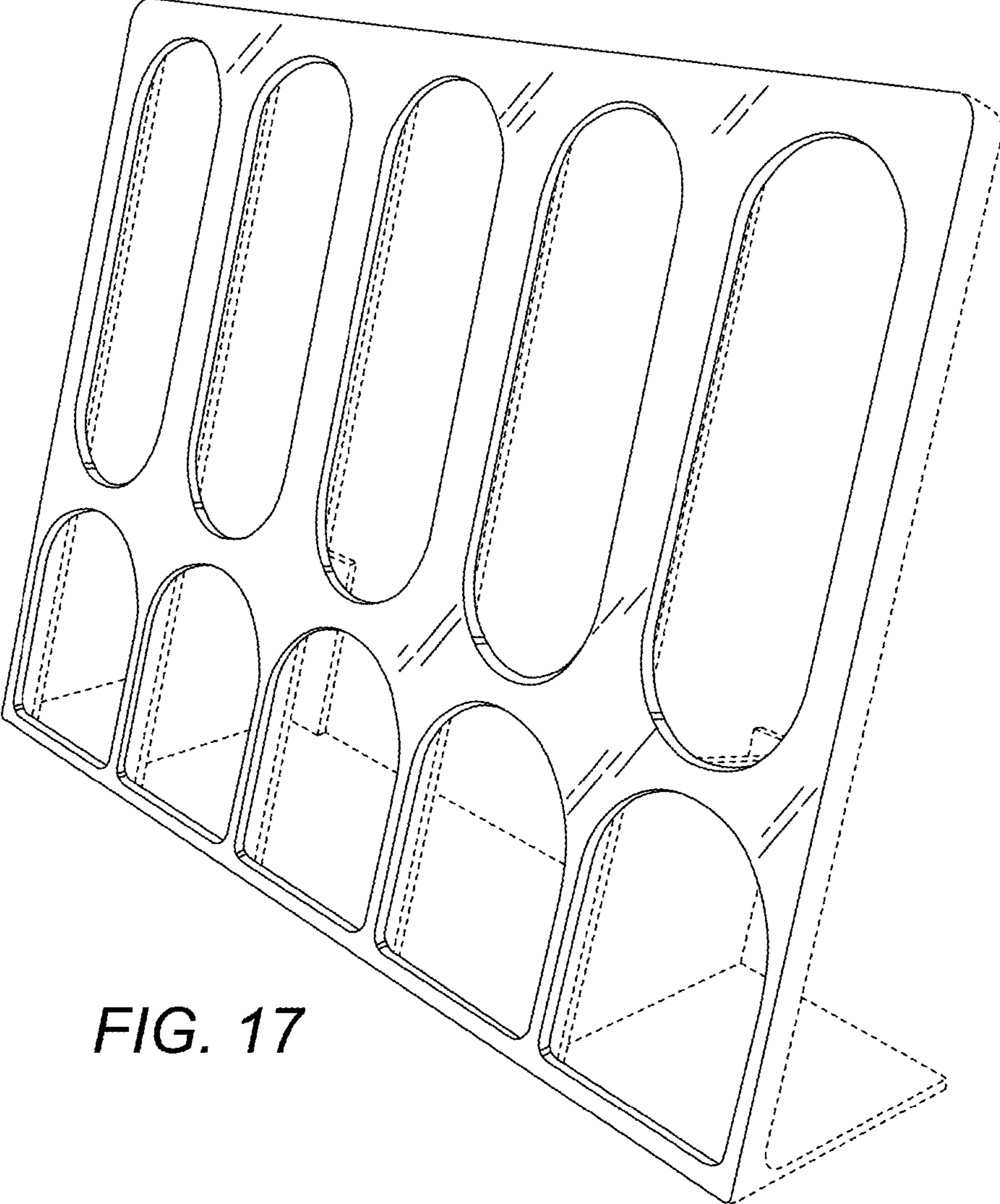


FIG. 17

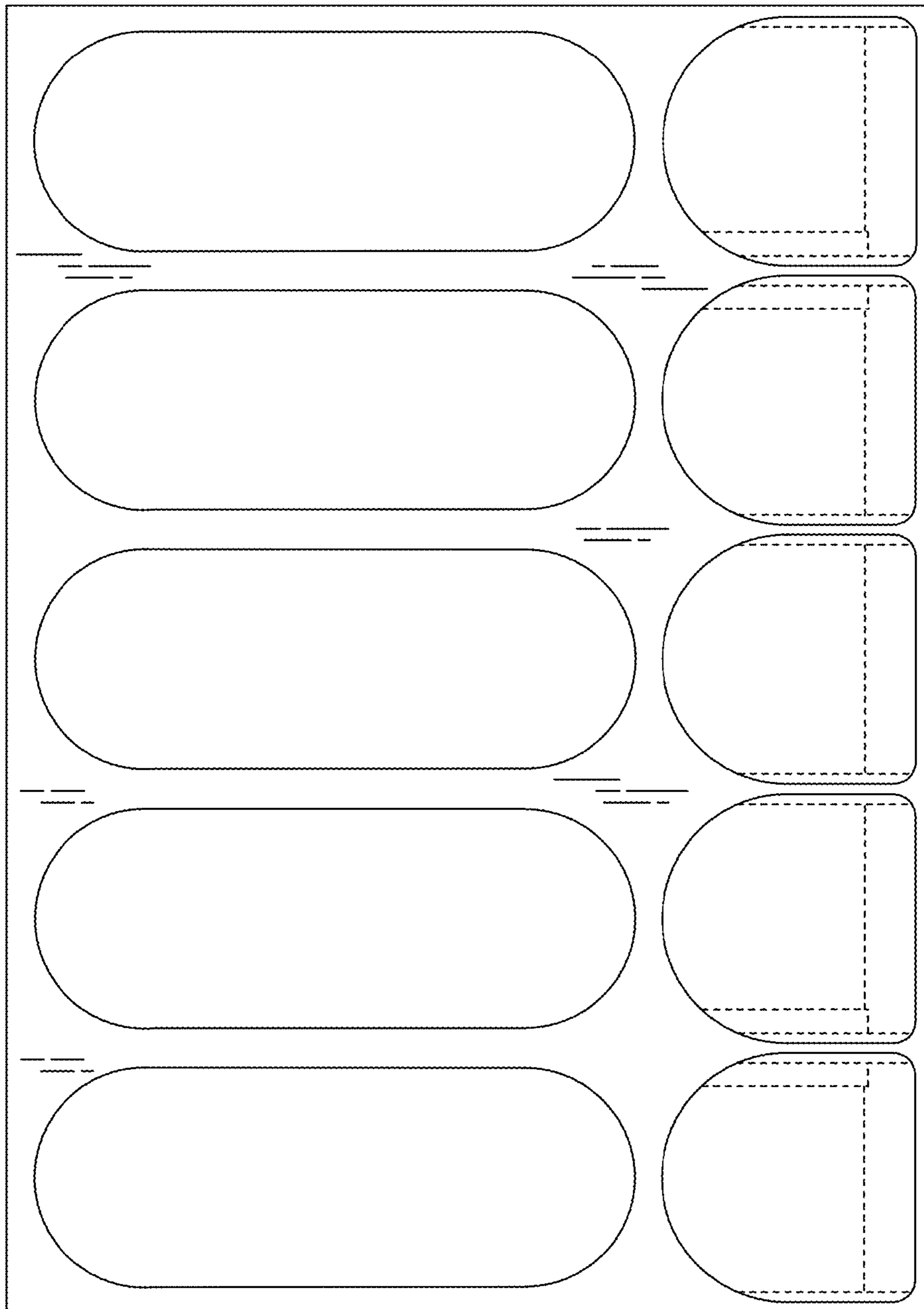


FIG. 18

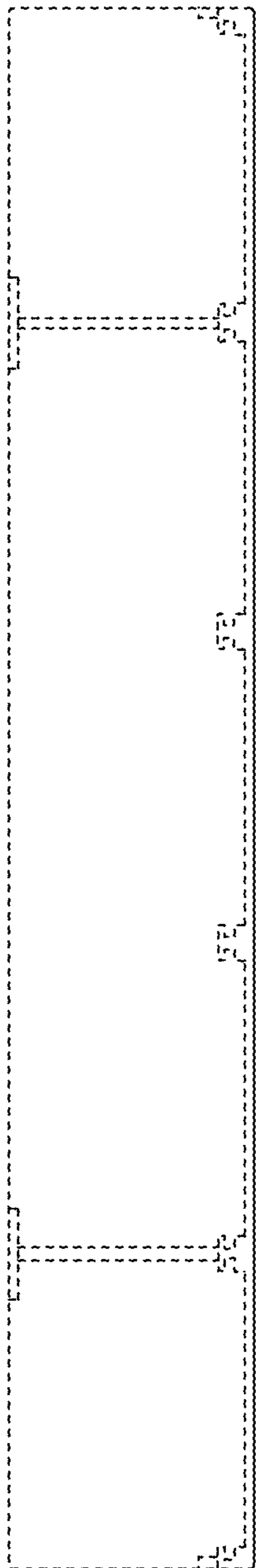


FIG. 19

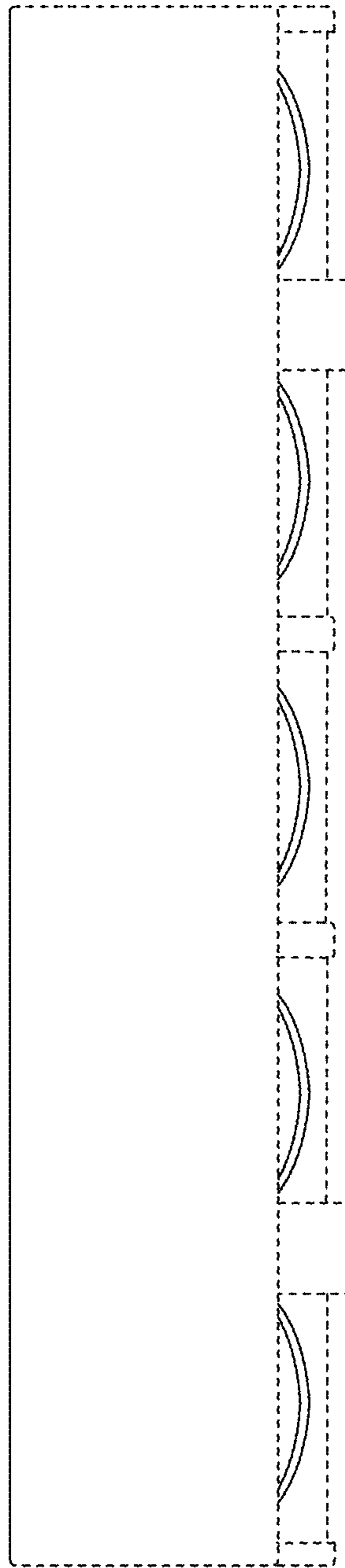


FIG. 20

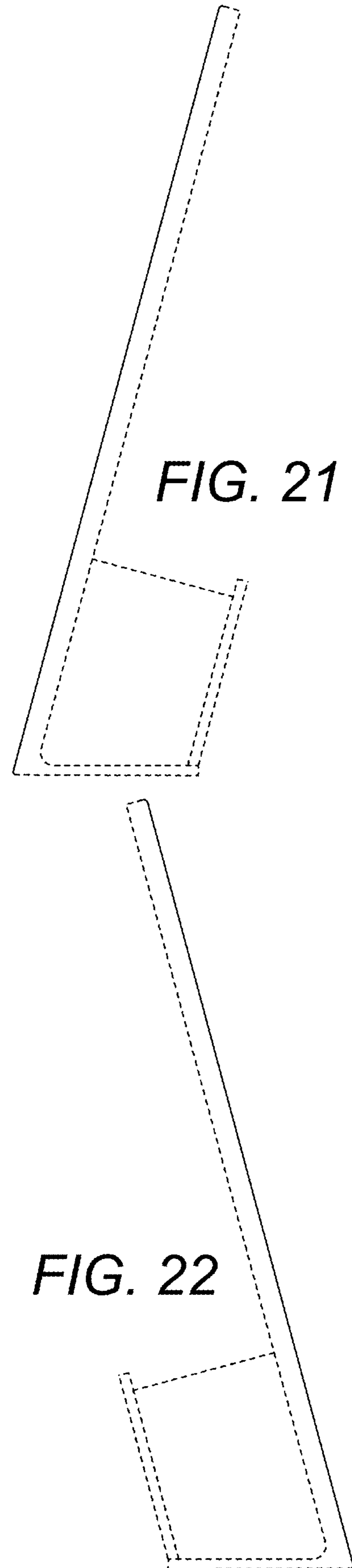


FIG. 21

FIG. 22

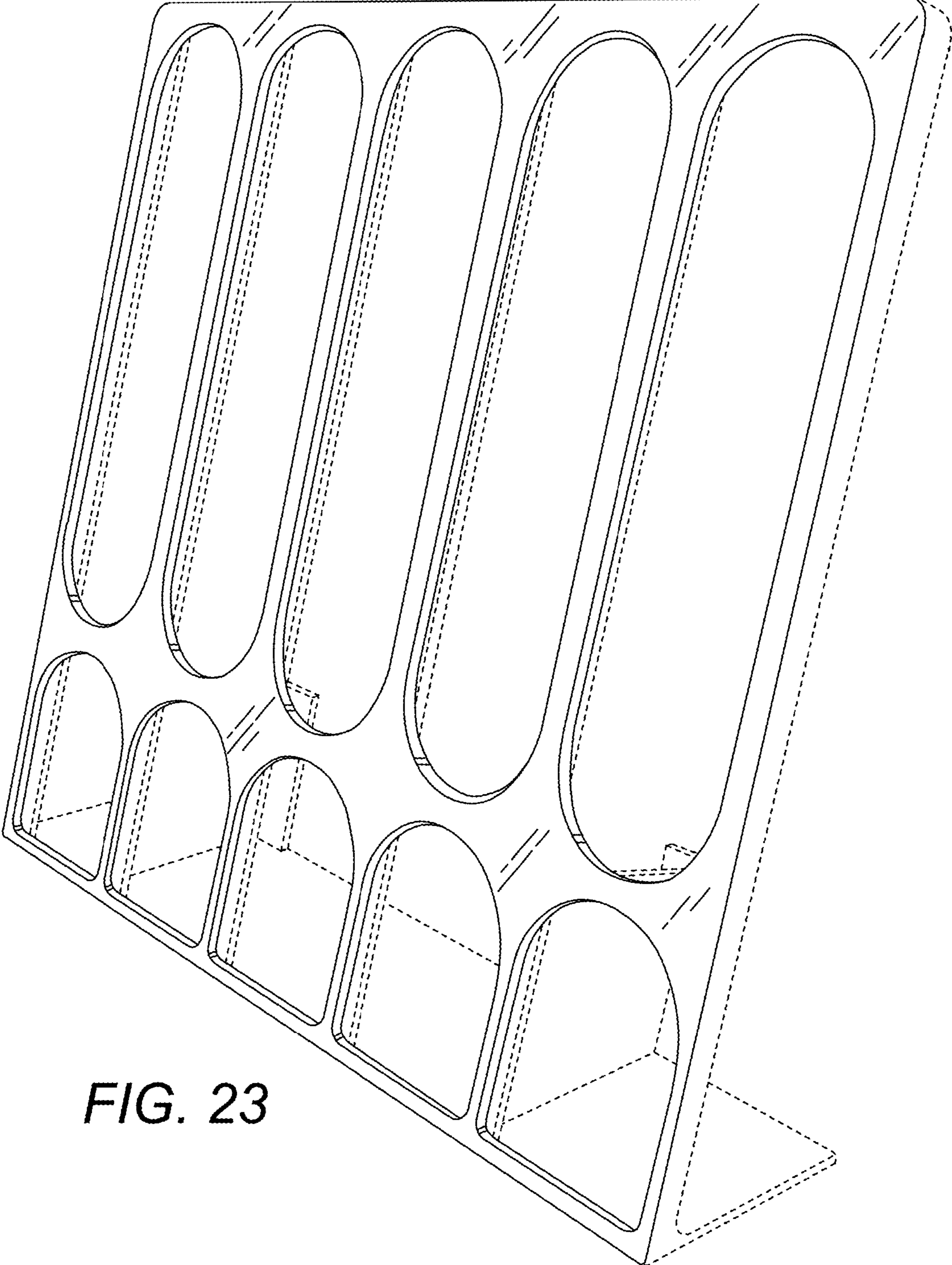


FIG. 23

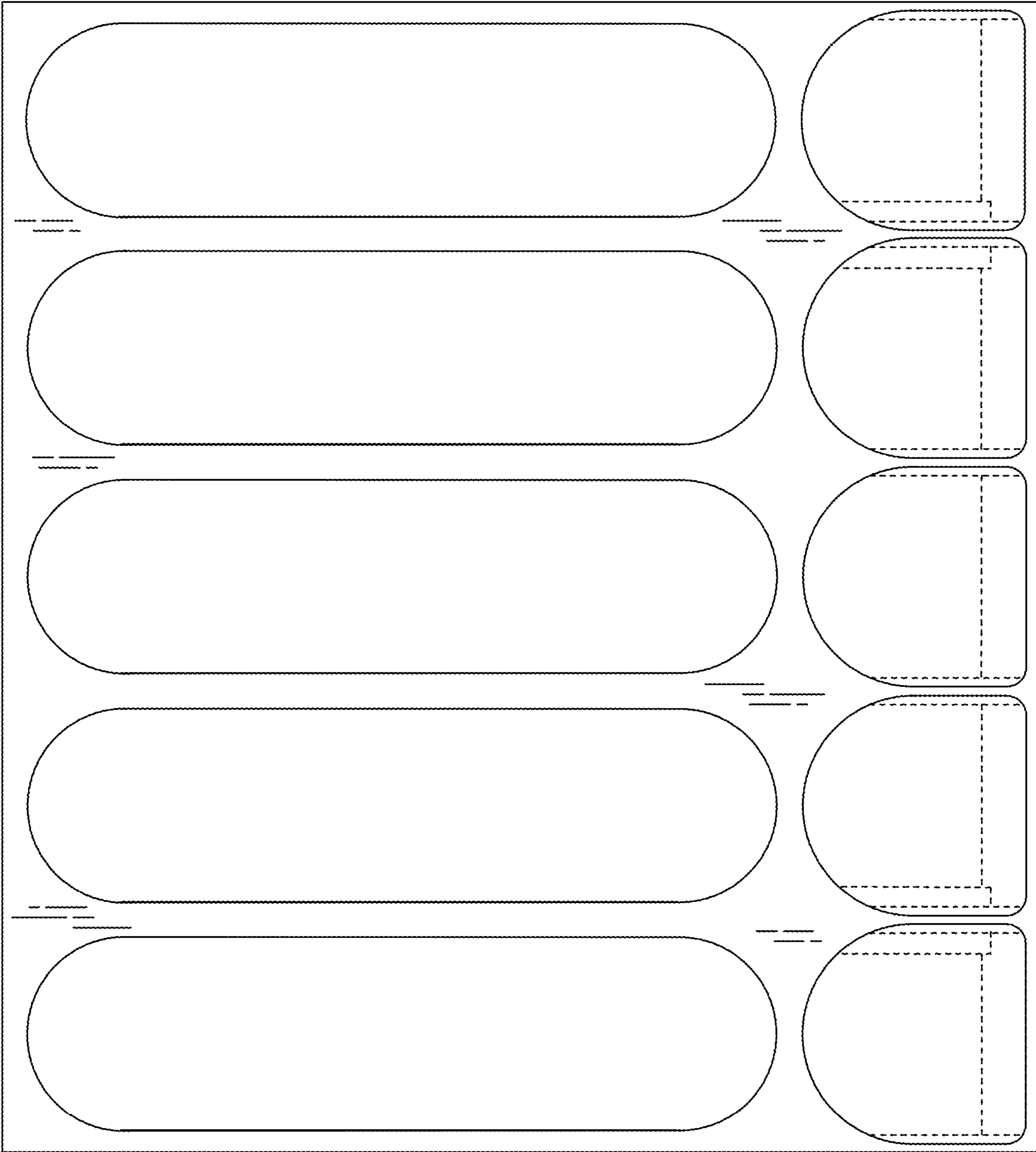


FIG. 24

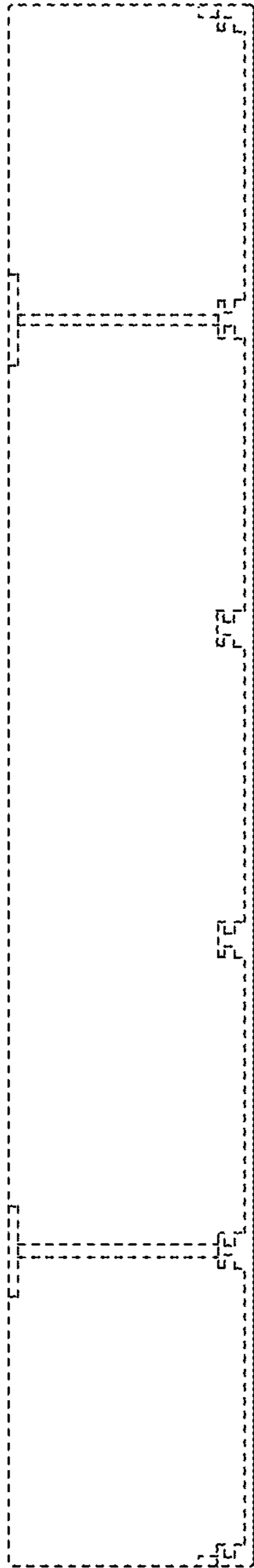


FIG. 25

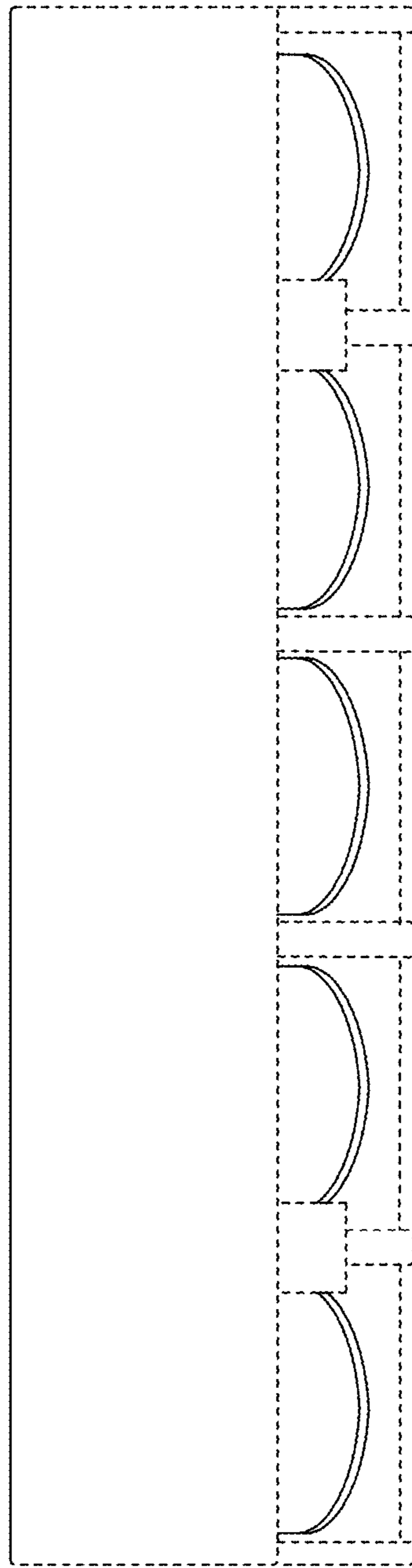


FIG. 26

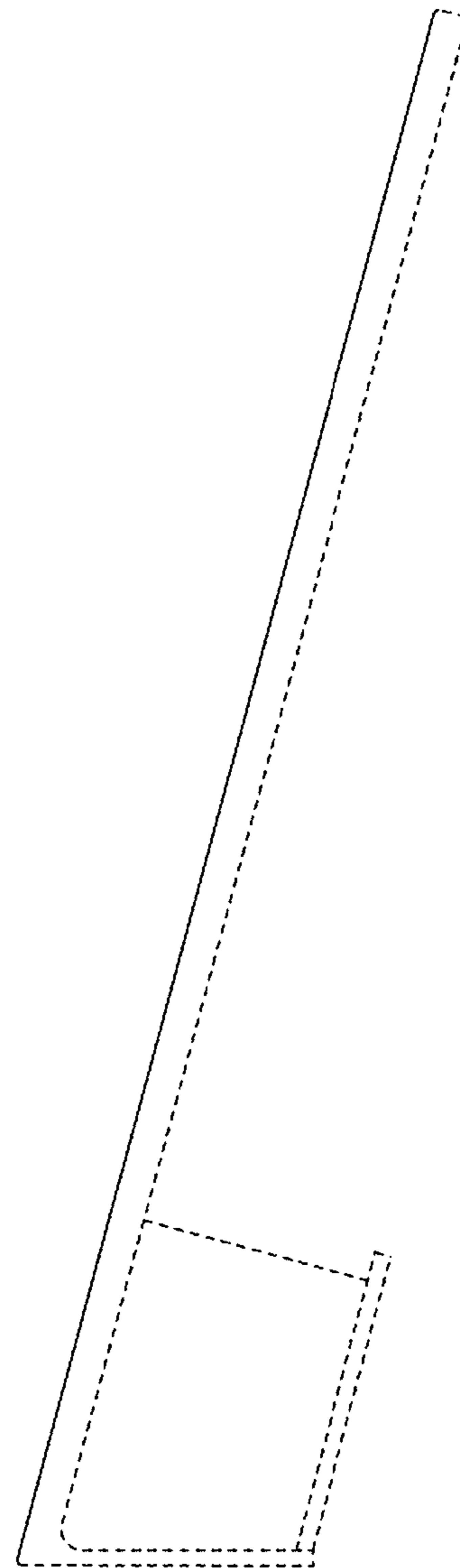


FIG. 27

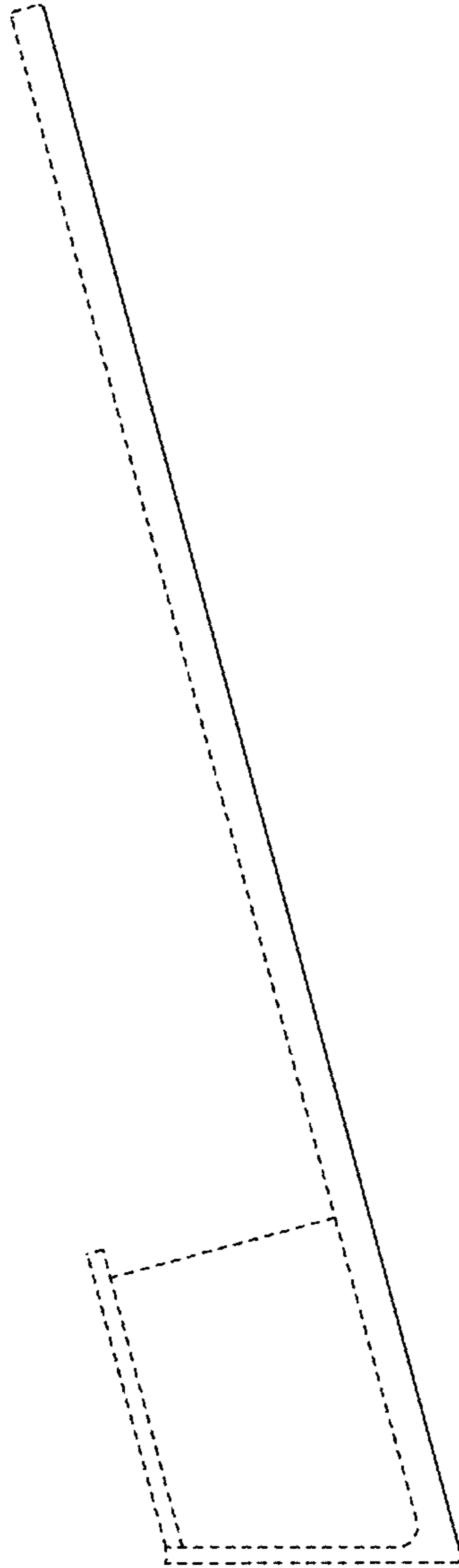


FIG. 28