



US00D768437S

(12) **United States Design Patent**  
**Lane**

(10) **Patent No.:** **US D768,437 S**  
(45) **Date of Patent:** **\*\* Oct. 11, 2016**

(54) **MIXER FOR A BEVERAGE CONTAINER**

(71) Applicant: **THERMOS L.L.C.**, Schaumburg, IL (US)

(72) Inventor: **Marvin Lane**, Wheeling, IL (US)

(73) Assignee: **THERMOS L.L.C.**, Schaumburg, IL (US)

(\*\*) Term: **14 Years**

(21) Appl. No.: **29/523,339**

(22) Filed: **Apr. 8, 2015**

(51) **LOC (10) Cl.** ..... **31-00**

(52) **U.S. Cl.**  
USPC ..... **D7/412**; D7/376; D7/378; D7/384

(58) **Field of Classification Search**  
USPC ..... D3/264; D7/372, 376–386, 412–413, D7/602, 629, 665–666, 669, 679, 682, D7/693–694; D11/131  
CPC ..... A01K 63/045; A21C 1/02; A21C 1/04; A23N 1/00; A23N 1/02; A47J 43/04; A47J 43/25; A47J 43/27; A47J 43/042; A47J 43/046; A47J 43/075; A47J 43/0722; A47J 43/0727; A61L 12/08; B01D 53/85; B01J 19/30; B01F 3/00; B01F 3/0807; B01F 3/0853; B01F 13/0059; B01F 13/0064; B02C 1/08; B02C 2/04; B02C 4/42; B02C 4/142; B02C 4/143; B02C 4/423; B02C 13/1835; B28C 5/10; B28C 5/12; B28C 5/14; B28C 5/16; B65D 47/0885  
See application file for complete search history.

(56) **References Cited**

**U.S. PATENT DOCUMENTS**

3,820,692 A 6/1974 Swett et al.  
4,003,555 A 1/1977 Swartz  
4,203,935 A \* 5/1980 Hackenjos ..... B01J 19/30  
261/98  
4,425,285 A \* 1/1984 Shimoi ..... B01J 19/30  
202/158

4,554,114 A \* 11/1985 Glen ..... B01J 19/30  
261/95  
4,581,299 A \* 4/1986 Jager ..... B01J 19/30  
261/DIG. 72  
4,818,114 A 4/1989 Ghavi  
4,916,672 A 4/1990 McCrory  
5,358,330 A 10/1994 Moll  
5,690,819 A \* 11/1997 Chianh ..... A01K 63/045  
210/150  
D451,200 S 11/2001 Johansen et al.  
6,379,032 B1 4/2002 Sorensen  
6,524,849 B1 \* 2/2003 Adams ..... B01D 53/85  
210/150  
6,616,319 B2 9/2003 Renz  
7,014,175 B2 \* 3/2006 Honnell ..... B01J 19/30  
261/94  
7,036,975 B2 5/2006 Renz

(Continued)

*Primary Examiner* — Ricky Pham  
(74) *Attorney, Agent, or Firm* — Polsinelli PC

(57) **CLAIM**

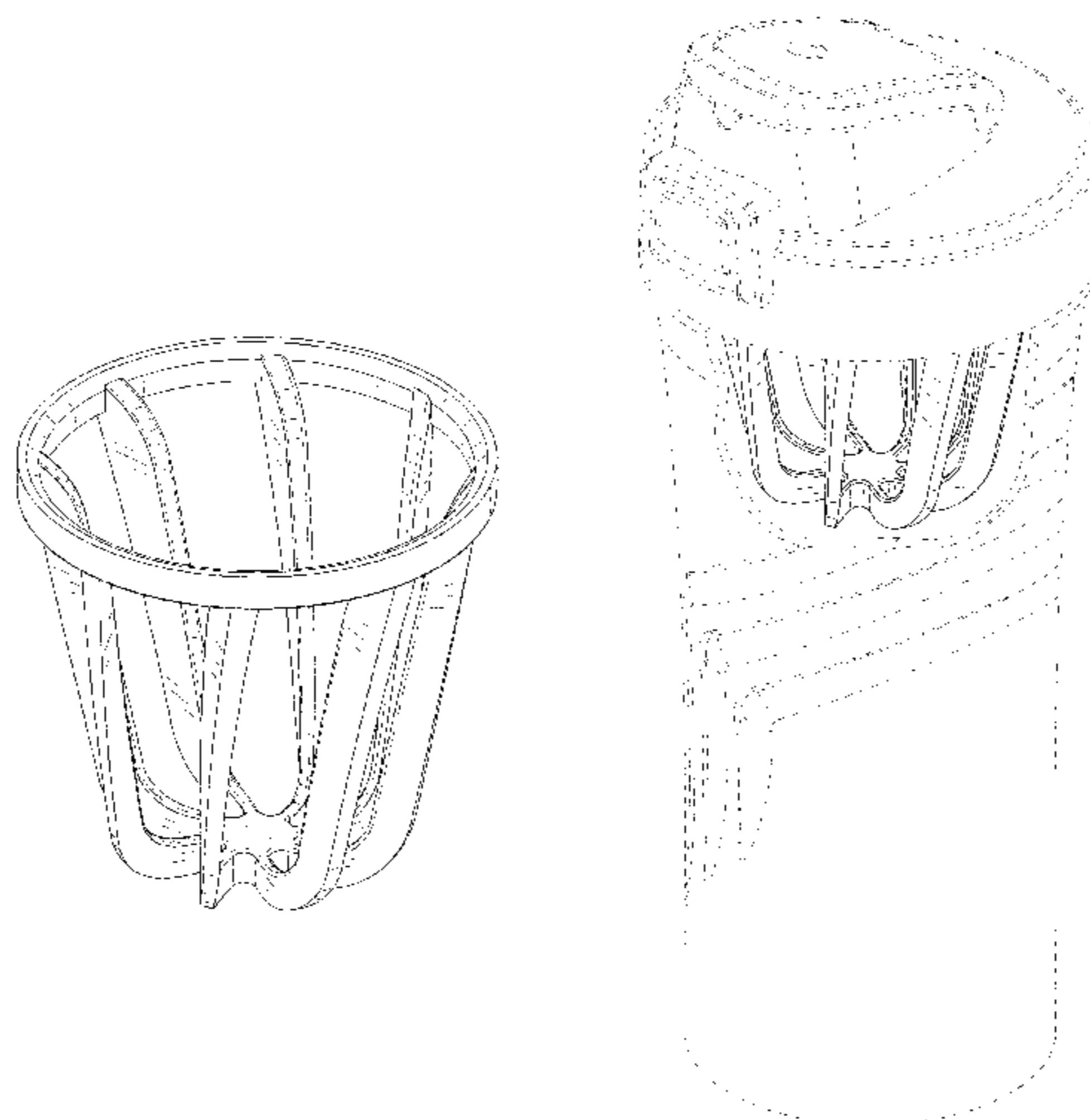
The ornamental design for a mixer for a beverage container, as shown and described.

**DESCRIPTION**

FIG. 1 is a perspective view of the mixer for a beverage container;  
FIG. 2 is a front view of the mixer for a beverage container;  
FIG. 3 is a rear view of the mixer for a beverage container;  
FIG. 4 is a right side view of the mixer for a beverage container;  
FIG. 5 is a left side view of the mixer for a beverage container;  
FIG. 6 is a top view of the mixer for a beverage container;  
FIG. 7 is a bottom view of the mixer for a beverage container; and,  
FIG. 8 is a perspective view of the mixer in a beverage container.

The broken lines showing in the figures are included for the purpose of illustrating portions of the mixer for a beverage container that form no part of the claimed design.

**1 Claim, 5 Drawing Sheets**



(56)

References Cited

U.S. PATENT DOCUMENTS

D536,216 S	2/2007	Sands			
D571,610 S	6/2008	Bodum			
D574,292 S *	8/2008	Jost .....	D11/131		
D585,708 S *	2/2009	Gransbury .....	D7/682		
7,946,752 B2	5/2011	Swartz et al.			
D650,171 S *	12/2011	Kanner .....	D3/264		
D666,057 S *	8/2012	Theuretzbacher .....	D7/376		
D687,259 S	8/2013	Hauser et al.			
				8,544,674 B2	10/2013 Nilsson
				D700,807 S	3/2014 Kershaw et al.
				9,248,423 B2 *	2/2016 Cerasani ..... B65D 47/0885
				2001/0036124 A1	11/2001 Rubenstein
				2008/0037360 A1	2/2008 McGill
				2013/0279287 A1	10/2013 Cerasani
				2013/0280142 A1 *	10/2013 Sturm ..... A61L 12/08 422/292
				2013/0343148 A1	12/2013 Avila et al.
				2014/0119154 A1	5/2014 Kershaw et al.

\* cited by examiner

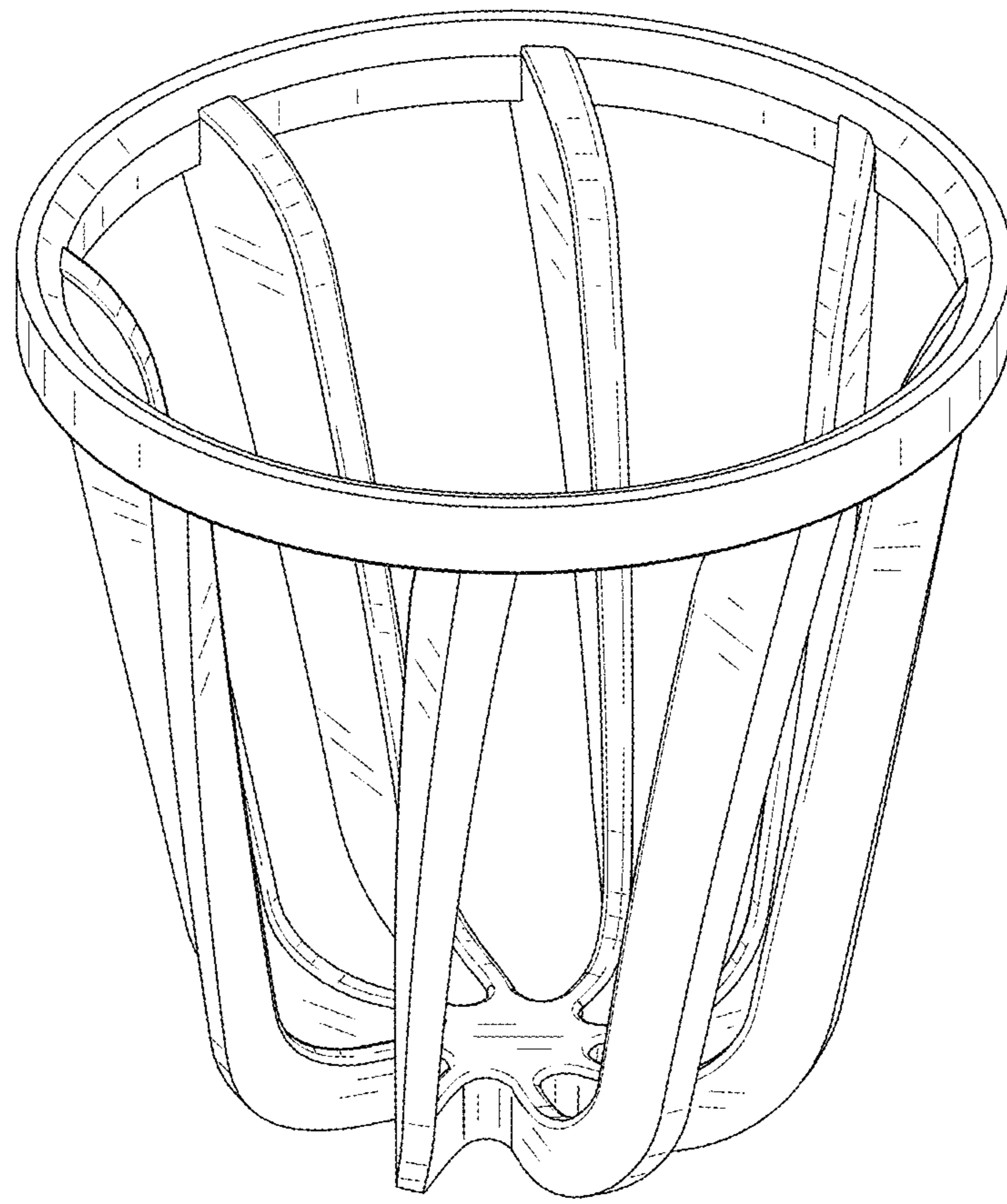


FIG. 1

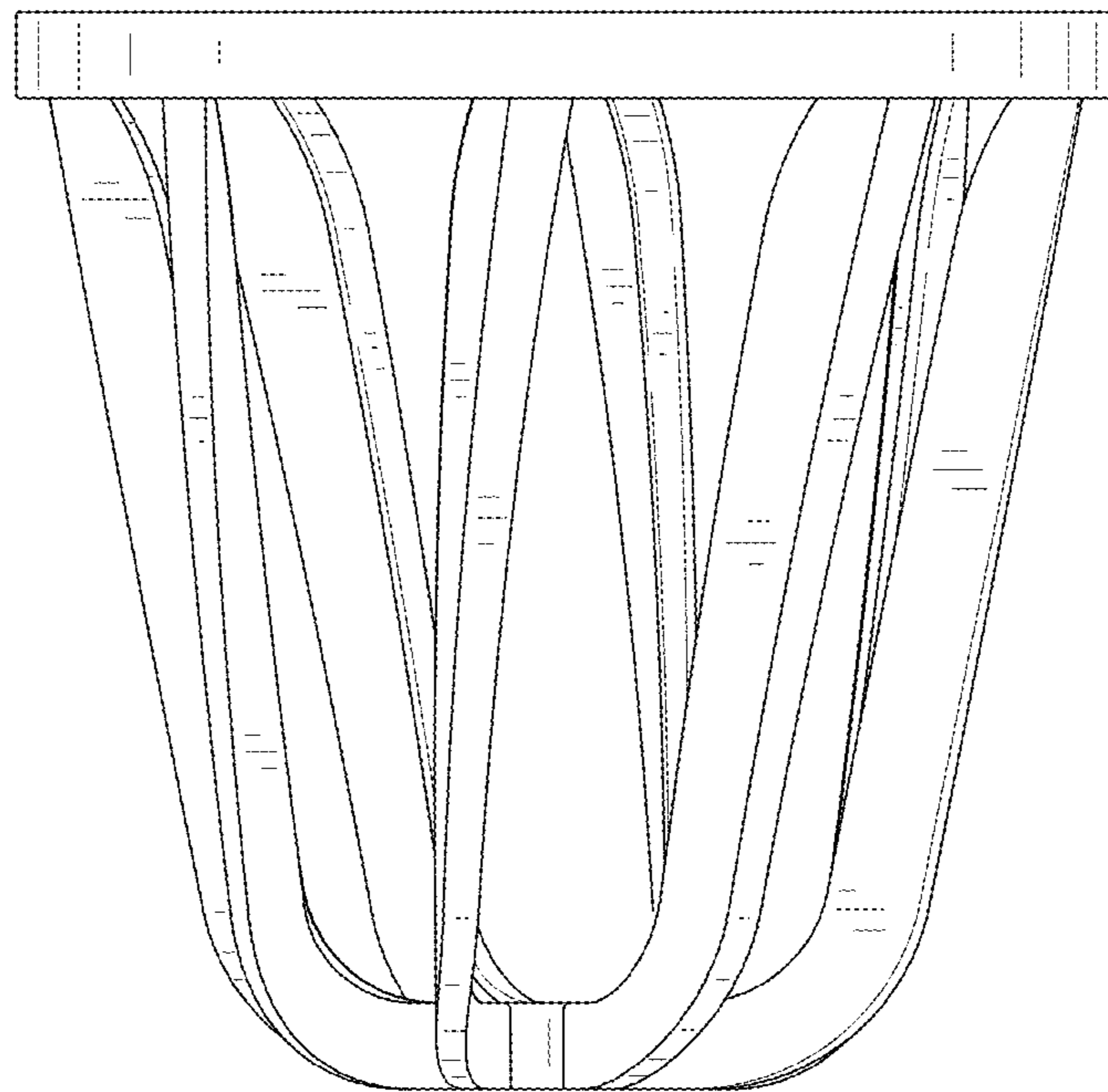


FIG. 2

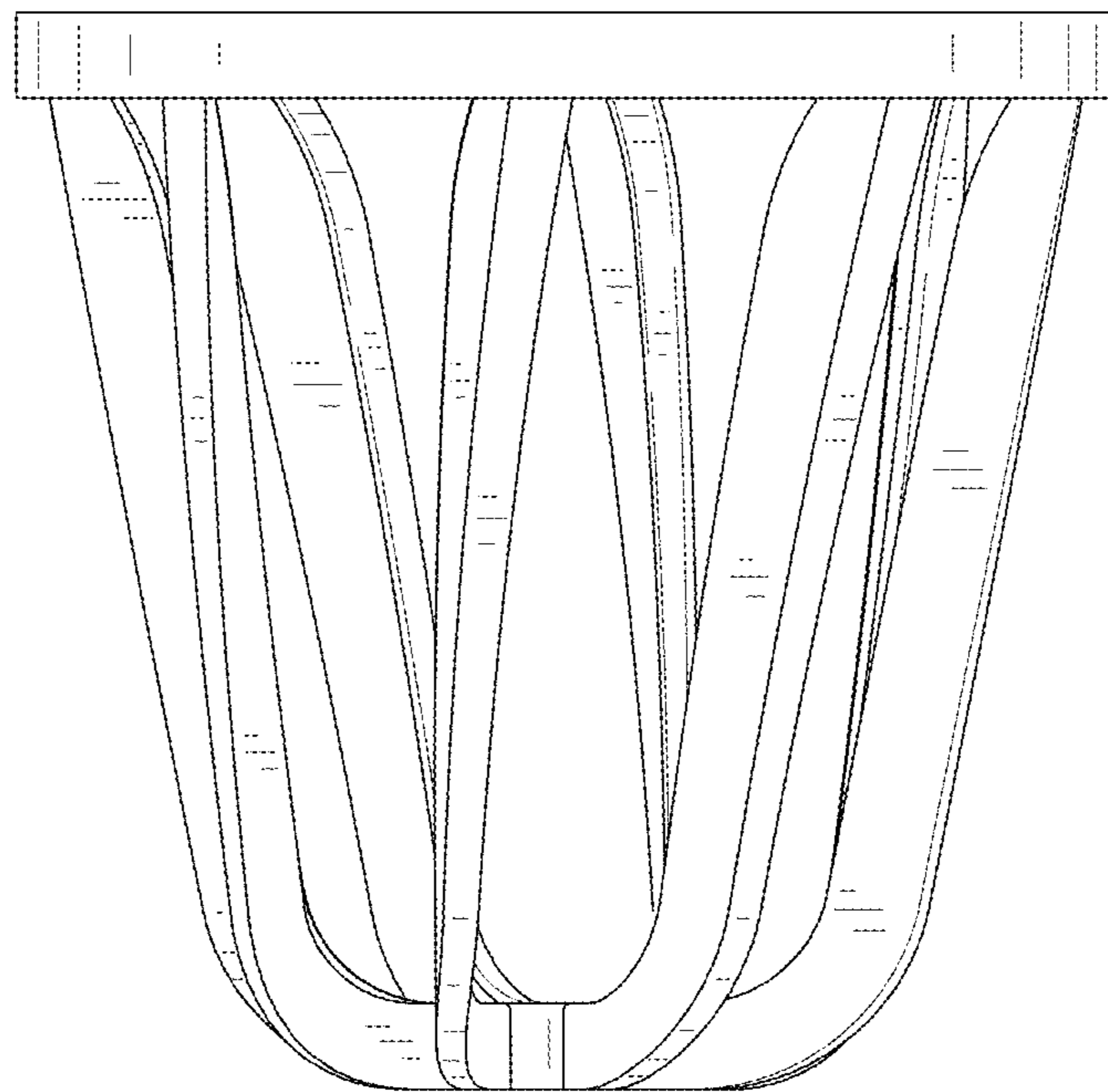


FIG. 3



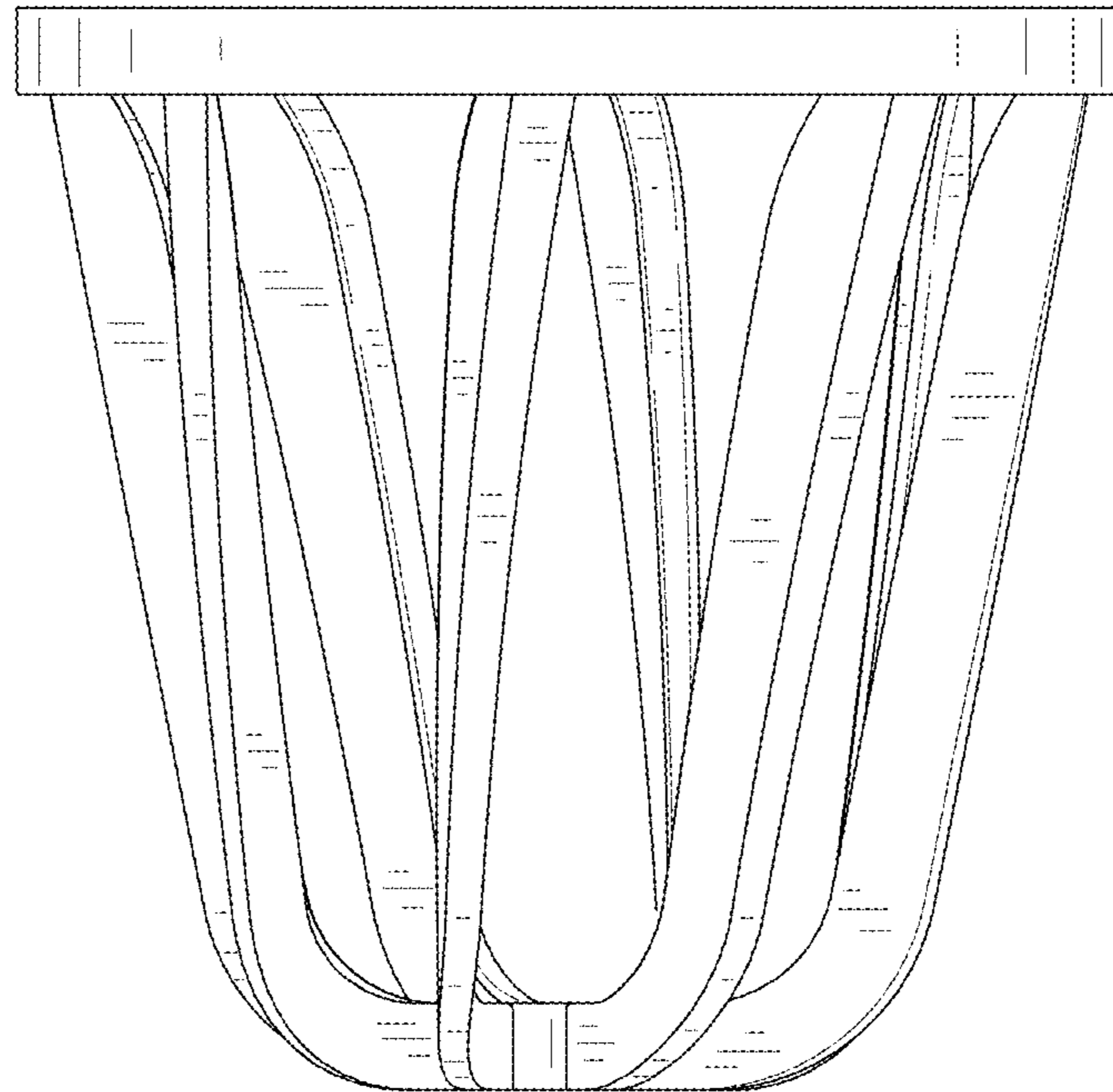


FIG. 4

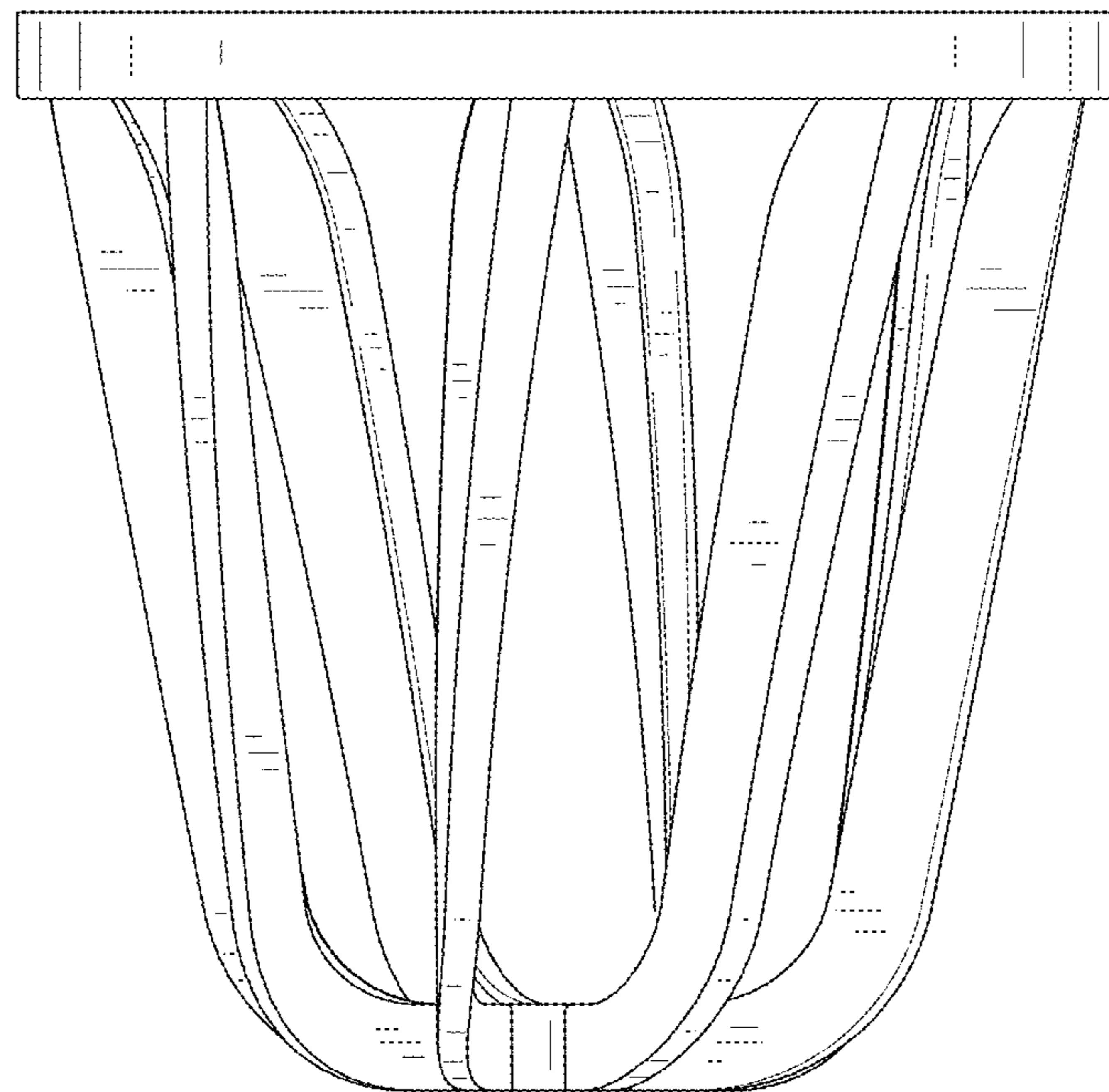


FIG. 5

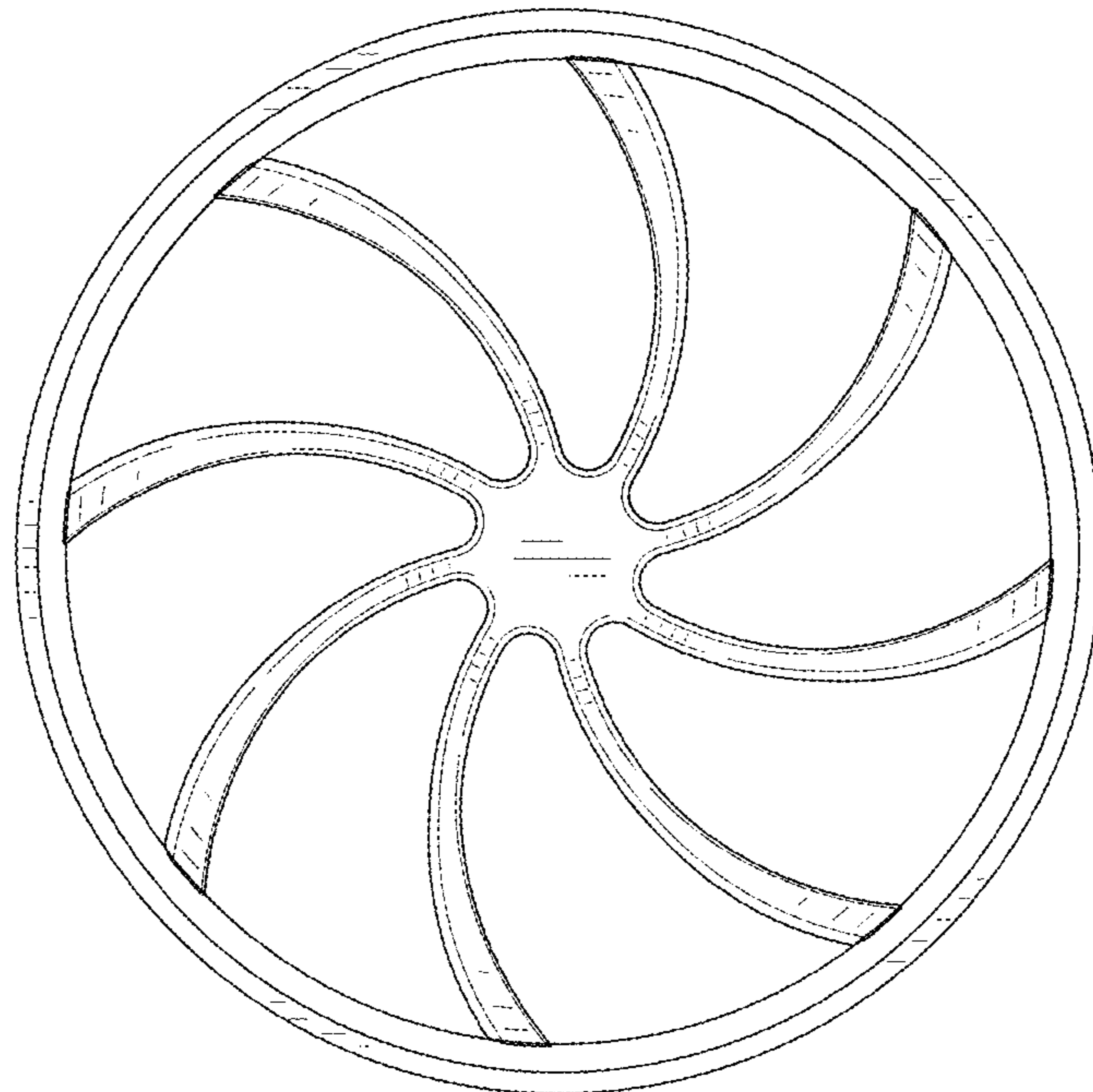


FIG. 6

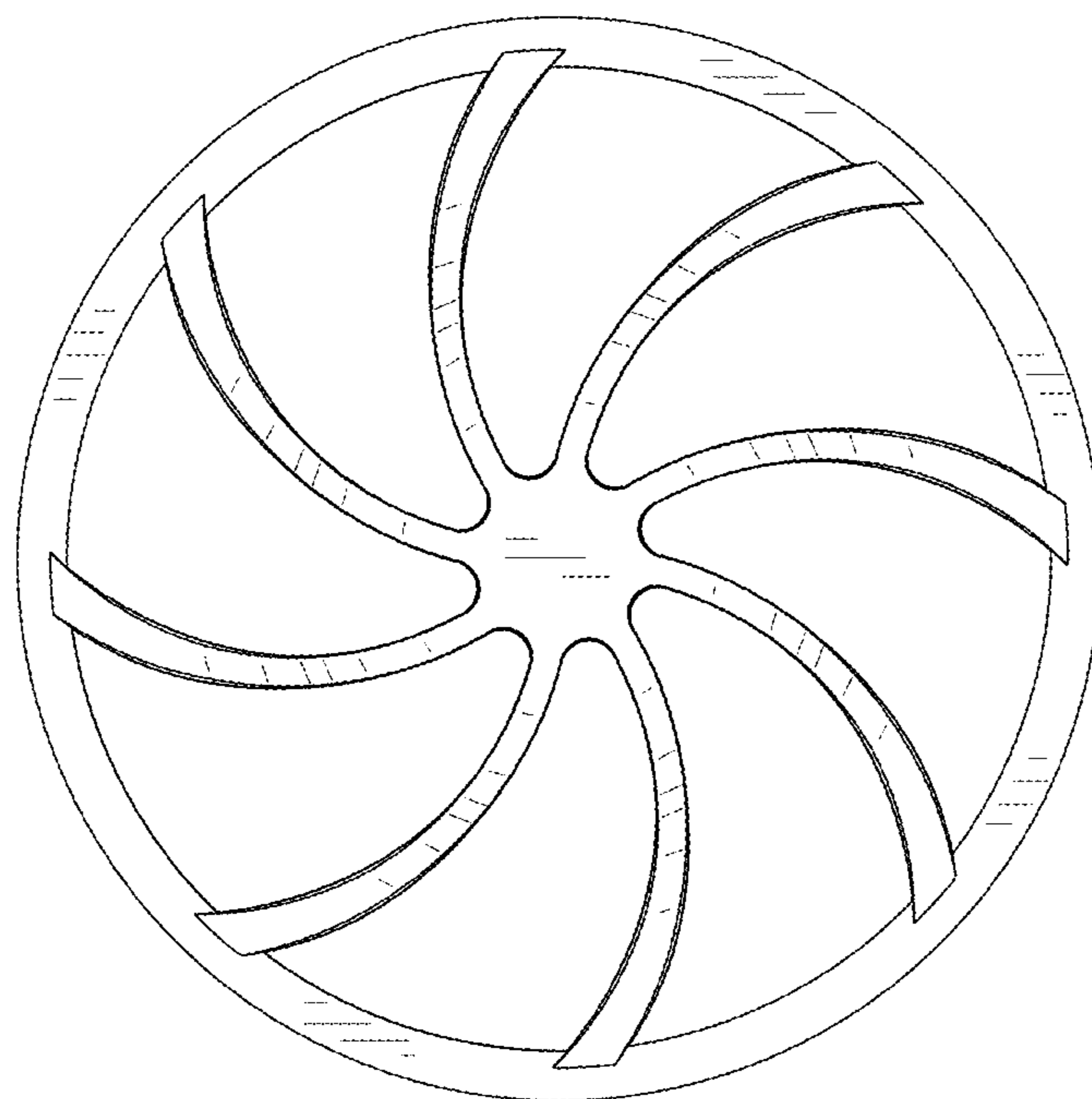


FIG. 7

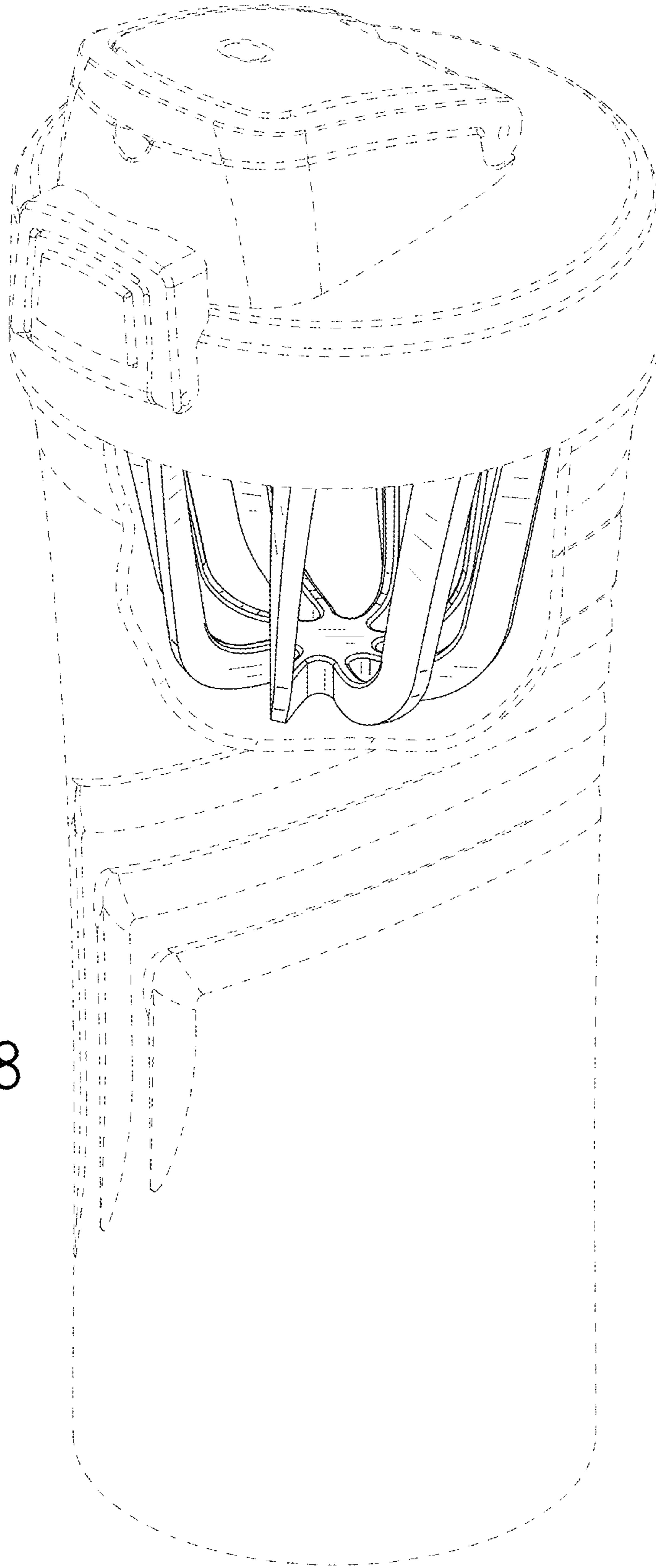


FIG. 8