



US00D768436S

(12) **United States Design Patent**
Chung

(10) **Patent No.:** **US D768,436 S**

(45) **Date of Patent:** **** Oct. 11, 2016**

- (54) **BARBECUE GRILL PLATE**
- (71) Applicant: **Kiosky Chung**, Taichung (TW)
- (72) Inventor: **Kiosky Chung**, Taichung (TW)
- (**) Term: **14 Years**
- (21) Appl. No.: **29/500,860**
- (22) Filed: **Aug. 29, 2014**
- (51) **LOC (10) Cl.** **07-02**
- (52) **U.S. Cl.**
USPC **D7/409**
- (58) **Field of Classification Search**
USPC D7/332-351, 362-367, 402-409;
99/449; 126/25 R, 9 B, 30, 9 R
CPC .. A47J 37/0763; A47J 37/0786; F24C 15/16
See application file for complete search history.

- D554,945 S * 11/2007 Chung D7/409
- D554,946 S * 11/2007 Chung D7/409
- D618,033 S * 6/2010 Maire D7/334
- D623,014 S * 9/2010 Alden D7/409
- D624,781 S * 10/2010 Allen D7/332
- D663,162 S * 7/2012 Lewis D7/408
- 8,602,018 B2 * 12/2013 Johnston A47J 37/0694
126/25 R
- D722,821 S * 2/2015 Liu D7/409

* cited by examiner

Primary Examiner — Susan Bennett Hattan

Assistant Examiner — Brett Miller

(57) **CLAIM**

I claim the ornamental design for a barbecue grill plate, as shown and described.

DESCRIPTION

FIG. 1 is a perspective view of barbecue grill plate in accordance with the preferred embodiment of the present invention, showing my design;

FIG. 2 is a front view of the barbecue grill plate shown in FIG. 1;

FIG. 3 is a rear view of the barbecue grill plate shown in FIG. 1;

FIG. 4 is a left side view of the barbecue grill plate shown in FIG. 1;

FIG. 5 is a right side view of the barbecue grill plate shown in FIG. 1;

FIG. 6 is a top view of the barbecue grill plate shown in FIG. 1;

FIG. 7 is a bottom view of the barbecue grill plate shown in FIG. 1; and,

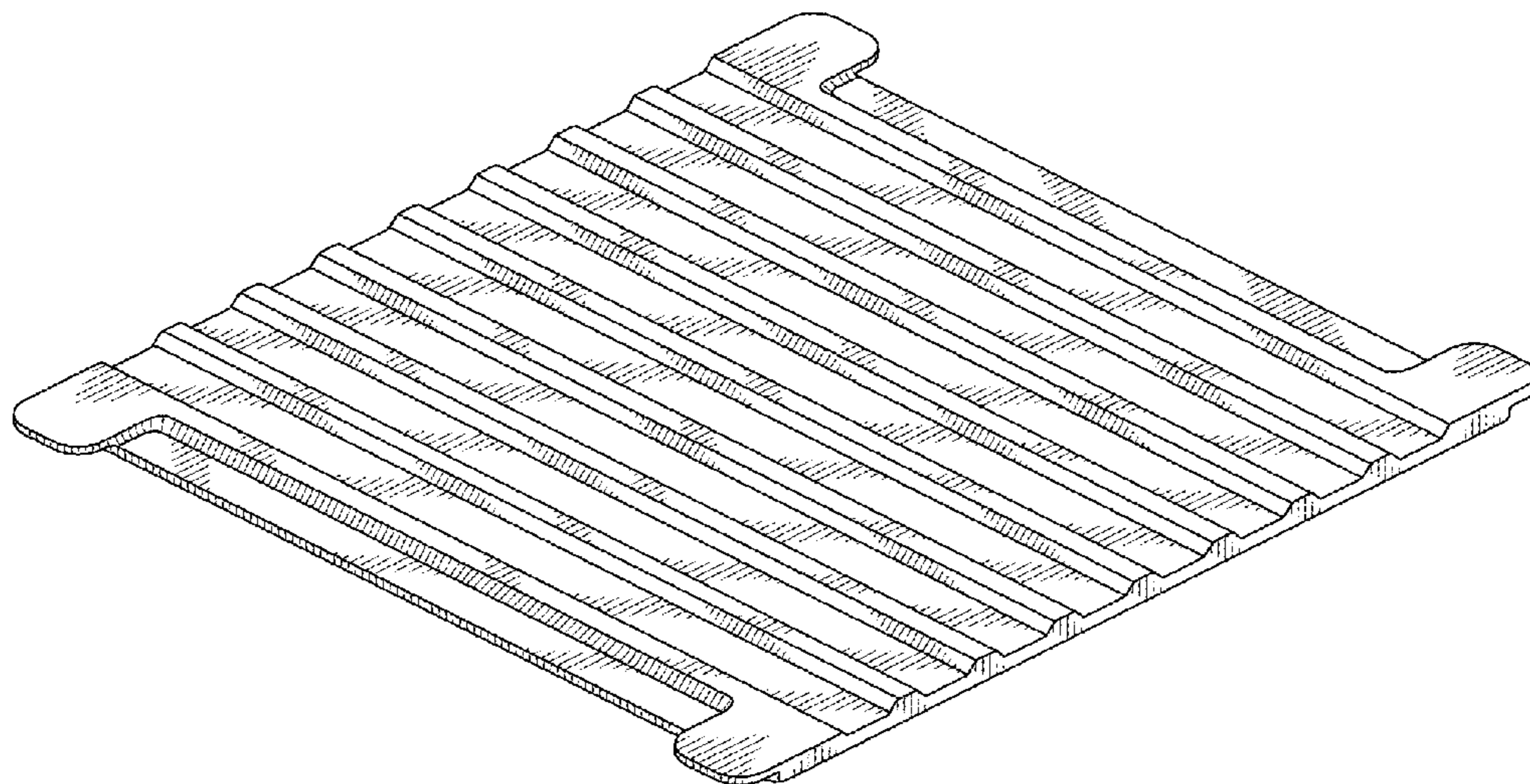
FIG. 8 is a perspective view of the barbecue grill plate, with broken lines showing a grid for a barbecue grill that is unclaimed in and forms no part of the claimed design.

1 Claim, 8 Drawing Sheets

(56) **References Cited**

U.S. PATENT DOCUMENTS

- 223,634 A * 1/1880 Collins F23H 17/12
D7/408
- 4,428,281 A * 1/1984 Miller A47J 37/067
D7/409
- D282,139 S * 1/1986 Radford D7/337
- 4,569,279 A * 2/1986 Avner A47J 37/0786
99/450
- D297,497 S * 9/1988 Picozza D7/359
- 5,009,151 A * 4/1991 Hungerford A47J 37/0786
126/25 R
- 5,105,725 A * 4/1992 Haglund A47J 37/0704
126/25 R
- D364,777 S * 12/1995 Schlosser D7/402
- D382,765 S * 8/1997 Kellermann D7/332
- 5,911,812 A * 6/1999 Stanek A47J 37/067
126/25 R
- D449,490 S * 10/2001 Frederick D7/332
- 7,263,987 B2 * 9/2007 Sung A47J 37/0754
126/25 R



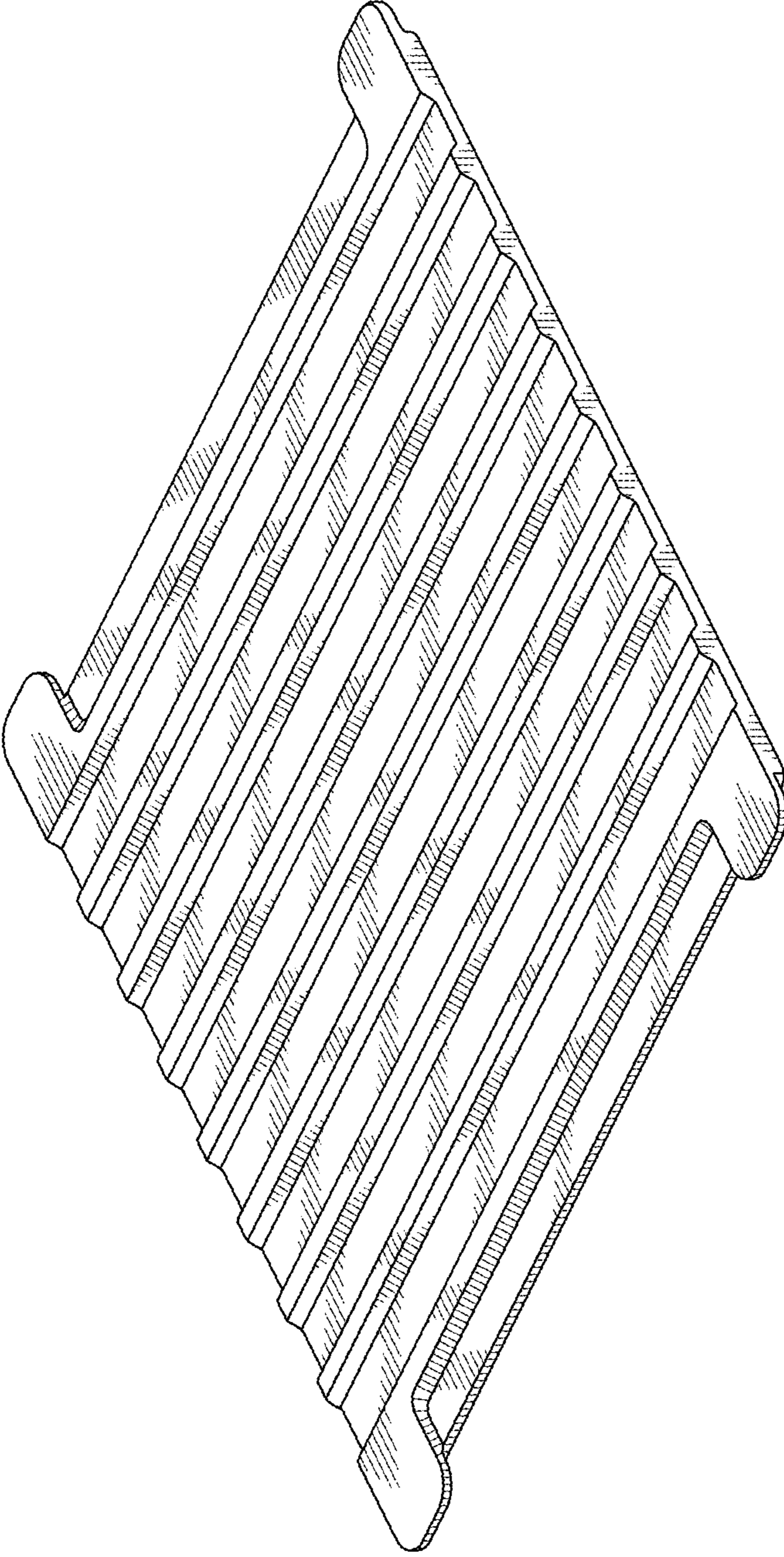


FIG. 1

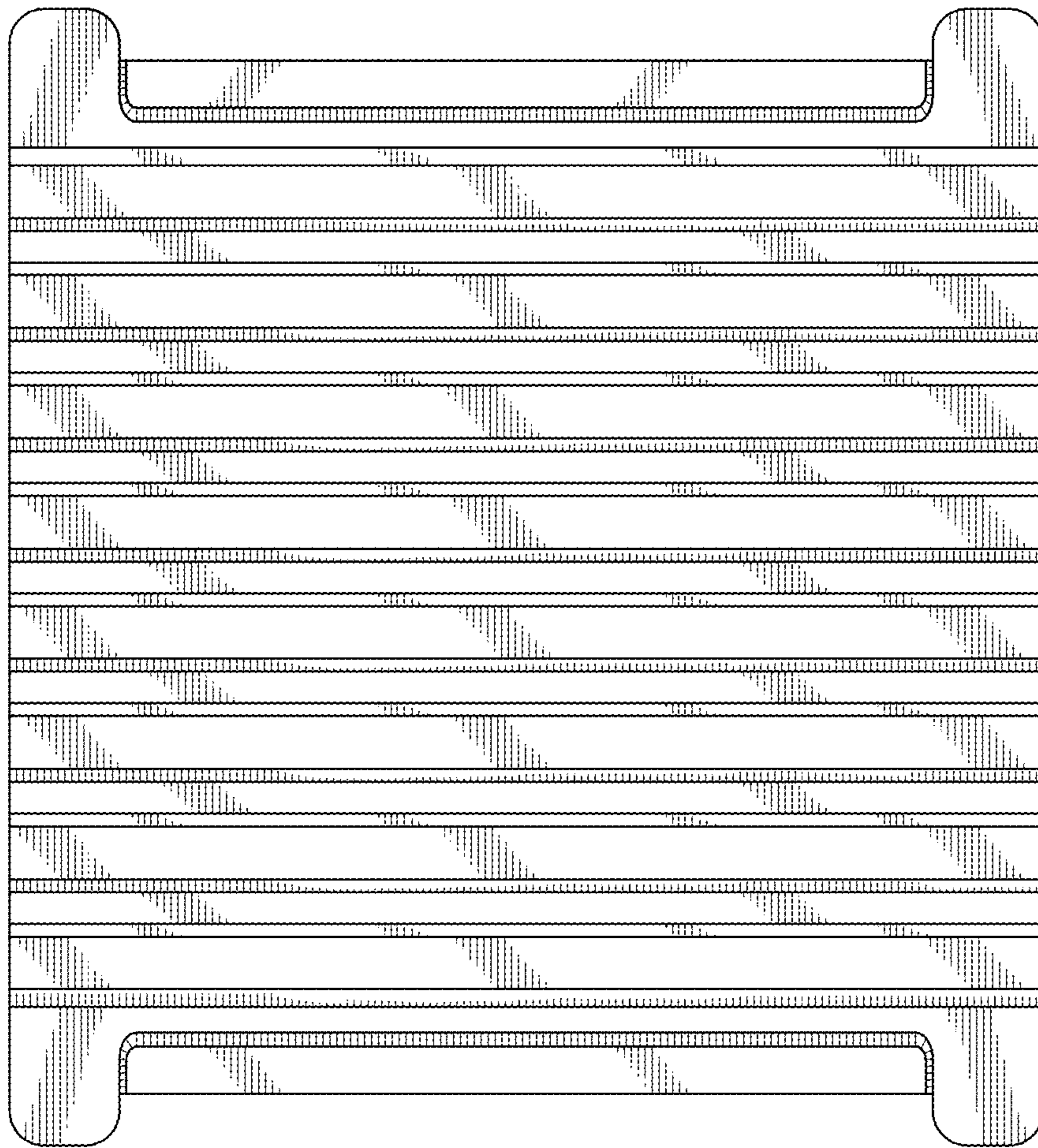


FIG. 2

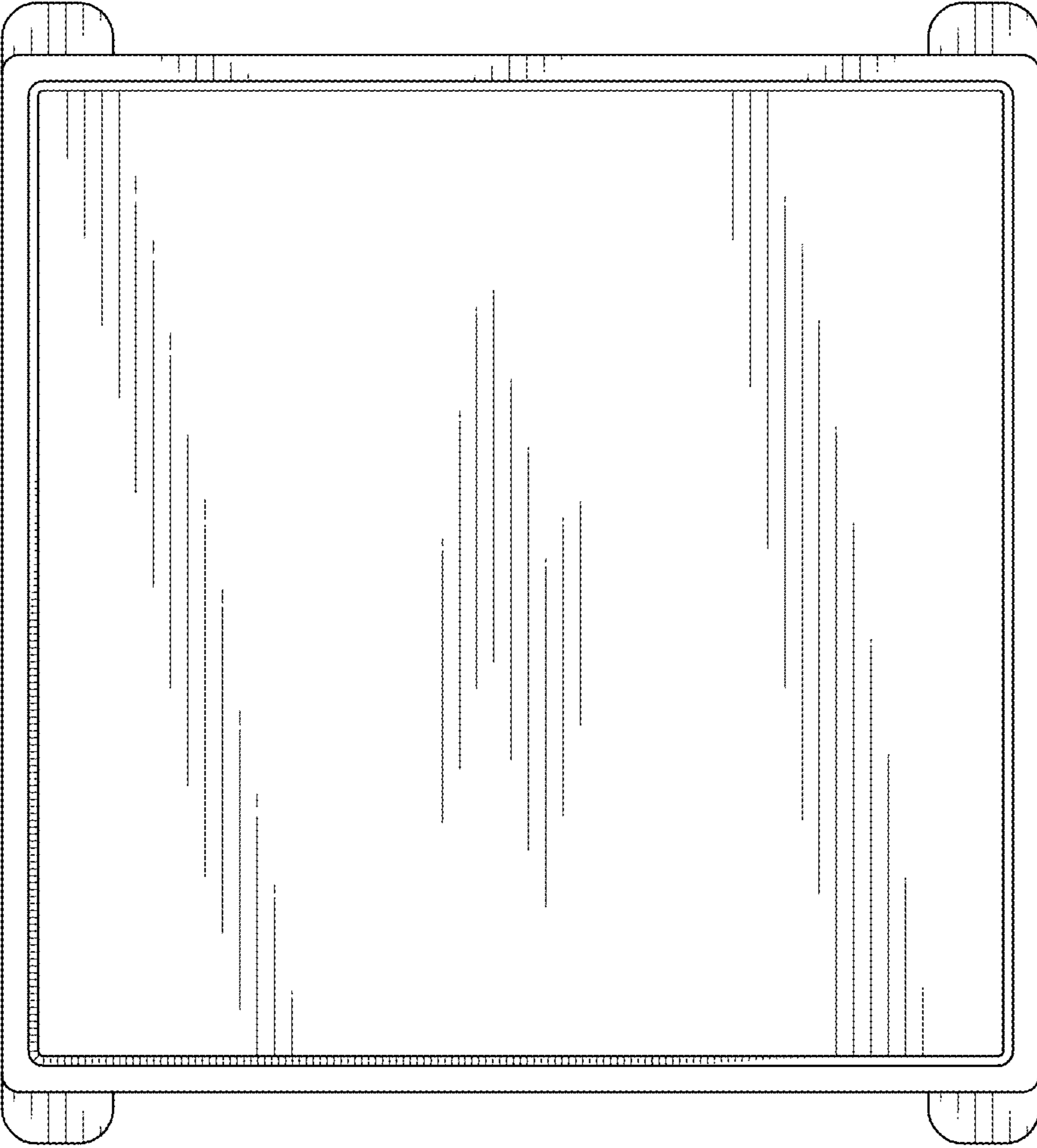


FIG. 3



FIG. 4

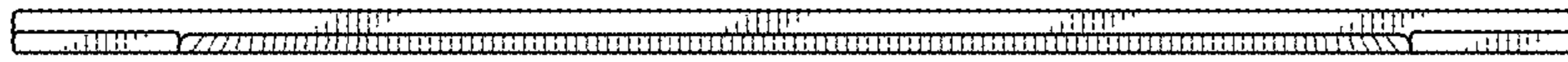


FIG. 5



FIG. 6



FIG. 7

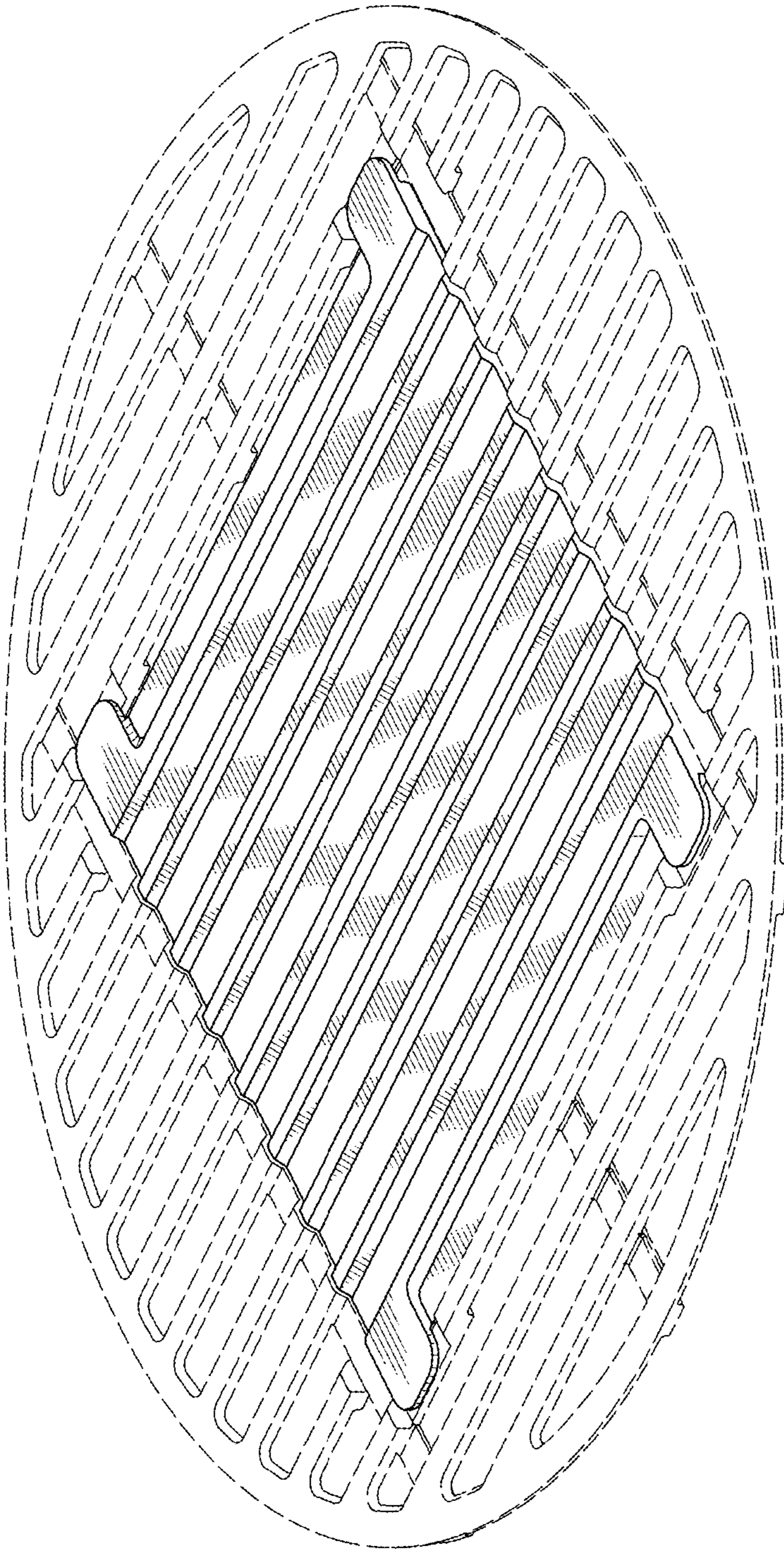


FIG. 8