



US00D768434S

(12) **United States Design Patent**
Kalaouze

(10) **Patent No.:** **US D768,434 S**

(45) **Date of Patent:** **** Oct. 11, 2016**

(54) **SUPPLEMENTAL BEVERAGE CONTAINER WITH A REMOVABLE COVER**

(71) Applicant: **Fadi Kalaouze**, College Station, TX (US)

(72) Inventor: **Fadi Kalaouze**, College Station, TX (US)

(**) Term: **14 Years**

(21) Appl. No.: **29/515,677**

(22) Filed: **Jan. 26, 2015**

Related U.S. Application Data

(63) Continuation-in-part of application No. 29/499,233, filed on Aug. 13, 2014, now abandoned.

(51) **LOC (10) Cl.** **07-01**

(52) **U.S. Cl.**
USPC **D7/392.1; D7/396.2; D7/507; D7/510; D9/438; D9/448**

(58) **Field of Classification Search**

USPC D7/400, 396.2, 523, 387, 391, 392, D7/392.1, 393, 396.1, 396.3, 396.4, 397, D7/398, 399, 401, 401.1, 213, 700, 667, D7/601, 602, 603, 671, 672, 675, 589, 513, D7/532, 509, 507, 510, 511, 512, 533, 536, D7/900; D10/46.2; D9/434, 435, 436, 439, D9/440, 444, 447, 448, 449, 526, 504, 503, D9/555, 568, 554, 567, 904, 453, 442, 443, D9/773; 220/709, 23.89, 229, 212.5, 220/592.16, 592.17, 592.27; D3/203.1, D3/203.2, 302; D23/209, 268; 215/397, 215/381-384; D24/122, 197
CPC .. B29C 33/50; B29C 33/0038; A47J 31/005; A47J 31/06; A47J 31/00; A47J 31/10; A47J 31/02; A47J 31/14; A47G 19/2222; A47G 19/2272; B65D 21/0233; B65D 41/04; B65D 41/0414; B65D 47/08; A45F 3/16

See application file for complete search history.

(56) **References Cited**

U.S. PATENT DOCUMENTS

1,948,932 A * 2/1934 McMickle A47G 19/22 126/380.1
D289,614 S * 5/1987 Sanchez D7/392.1

(Continued)

Primary Examiner — Marianne Pandozzi

Assistant Examiner — Jae Liang

(74) *Attorney, Agent, or Firm* — Mark Young, P.A.

(57) **CLAIM**

The ornamental design for a supplemental beverage container with a removable cover, as shown and described.

DESCRIPTION

FIG. 1 is a front view of a supplemental beverage container with a removable cover in use with a beverage can showing my new design;

FIG. 2 is a first side view thereof;

FIG. 3 is a rear view thereof;

FIG. 4 is a top view thereof;

FIG. 5 is a second side view thereof;

FIG. 6 is a bottom view thereof;

FIG. 7 is a first top perspective view thereof;

FIG. 8 is a second top perspective view thereof;

FIG. 9 is a third top perspective view thereof;

FIG. 10 is a fourth top perspective view thereof;

FIG. 11 is a front exploded view thereof;

FIG. 12 is a first exploded side view thereof;

FIG. 13 is an exploded rear view thereof;

FIG. 14 is an exploded top view thereof;

FIG. 15 is a second exploded side view thereof;

FIG. 16 is an exploded bottom view thereof;

FIG. 17 is a first exploded top perspective view thereof;

FIG. 18 is a second exploded top perspective view thereof;

FIG. 19 is a third exploded top perspective view thereof;

FIG. 20 is a fourth exploded top perspective view thereof;

FIG. 21 is a first bottom perspective view of the supplemental beverage container with a removable cover with the supplemental beverage container portion removed for ease of illustration;

FIG. 22 is a first side view thereof;

FIG. 23 is a bottom view thereof;

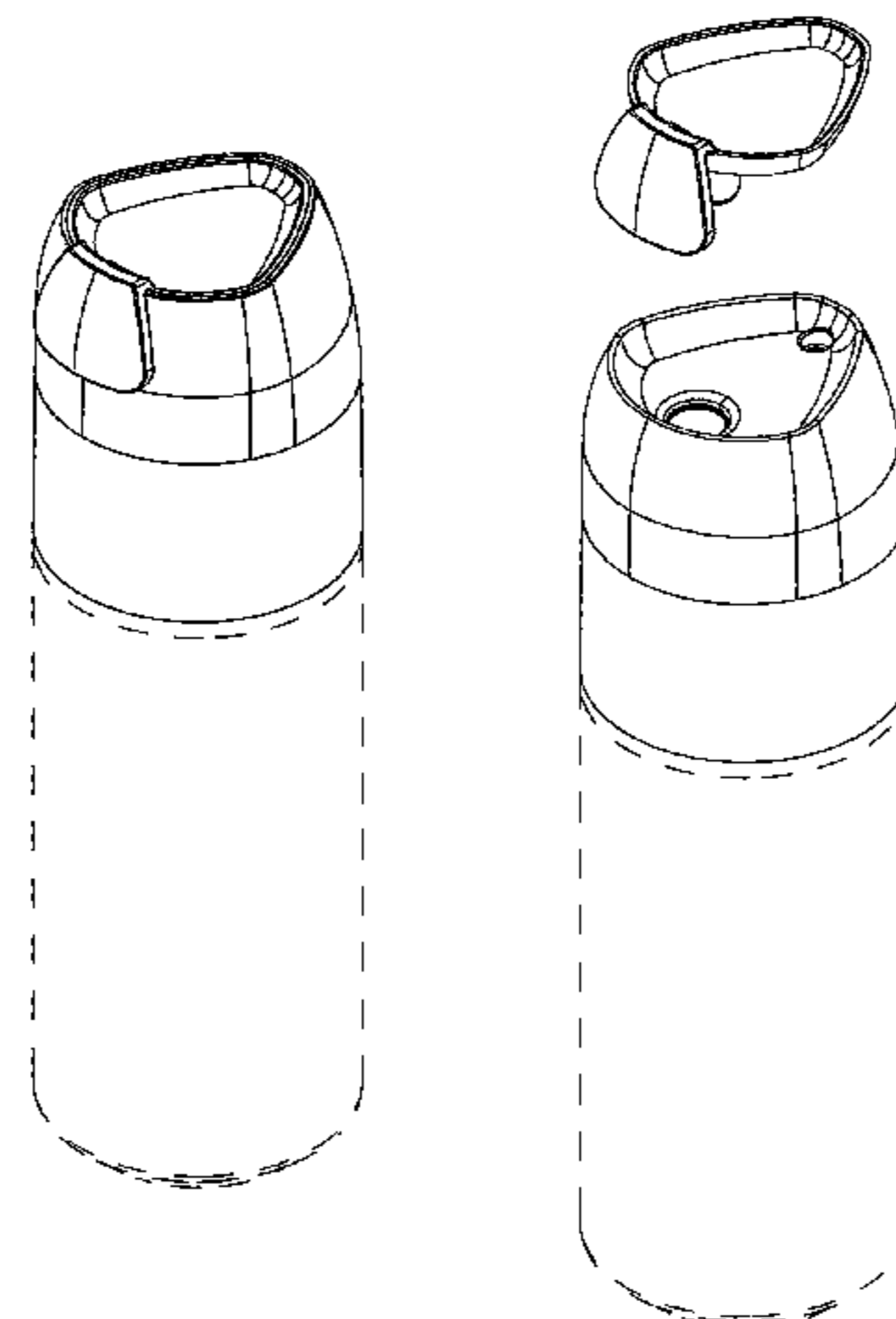
FIG. 24 is a front view thereof;

FIG. 26 is a rear view thereof; and,

FIG. 27 is a top plan view thereof.

The broken lines in the drawing depict environmental subject matter only and form no part of the claimed design.

1 Claim, 27 Drawing Sheets



(56)

References Cited

U.S. PATENT DOCUMENTS

D475,922 S * 6/2003 Smith D9/444
D494,470 S * 8/2004 Guyot D9/435
D511,302 S * 11/2005 Lamb D9/504
D576,490 S * 9/2008 Mazurkiewicz D9/449
D628,481 S * 12/2010 Maddy D9/435
D629,644 S * 12/2010 Zhuang D7/392.1

D653,499 S * 2/2012 Dietterle D7/389
8,567,635 B2 * 10/2013 Willat A47G 19/2205
215/384
D698,650 S * 2/2014 Marchant D9/503
8,814,007 B2 * 8/2014 Mills B65D 25/48
222/153.1
D731,238 S * 6/2015 Kalaouze, Jr. D7/392.1
D737,142 S * 8/2015 Brannock D9/447
D746,690 S * 1/2016 Cook D9/503

* cited by examiner

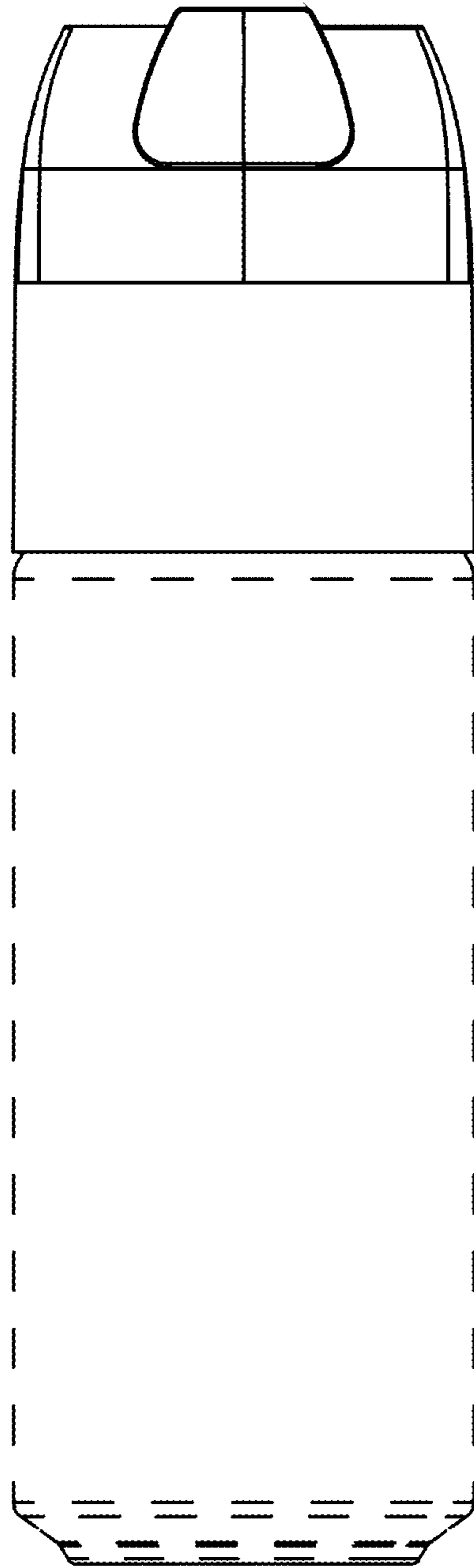


FIG. 1

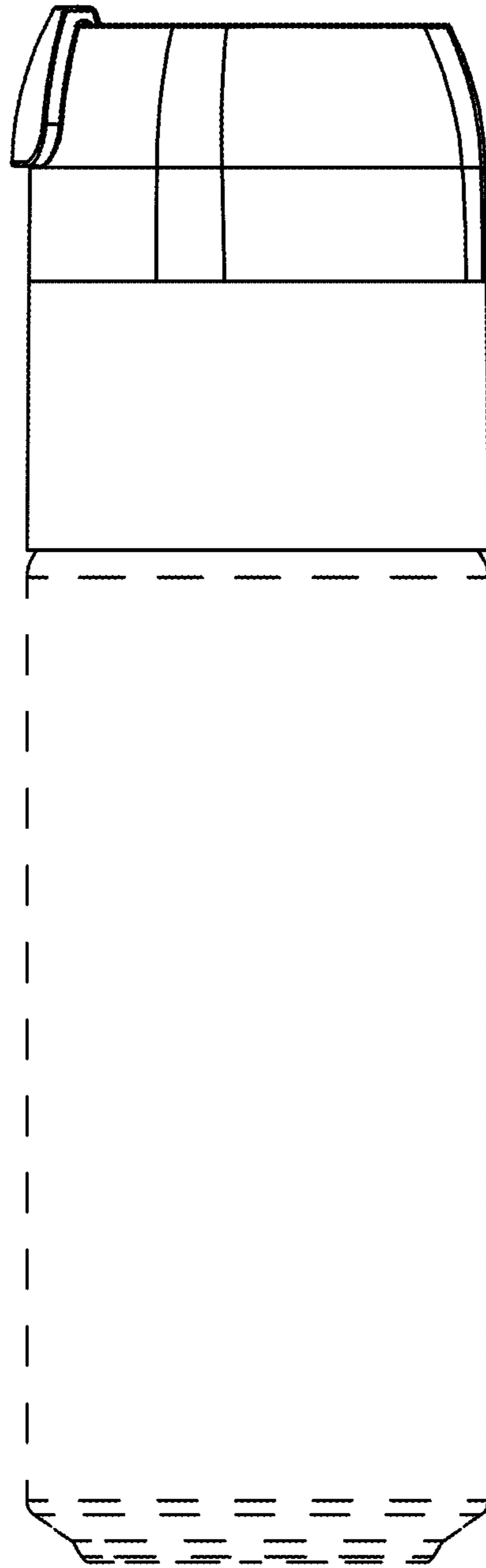


FIG. 2

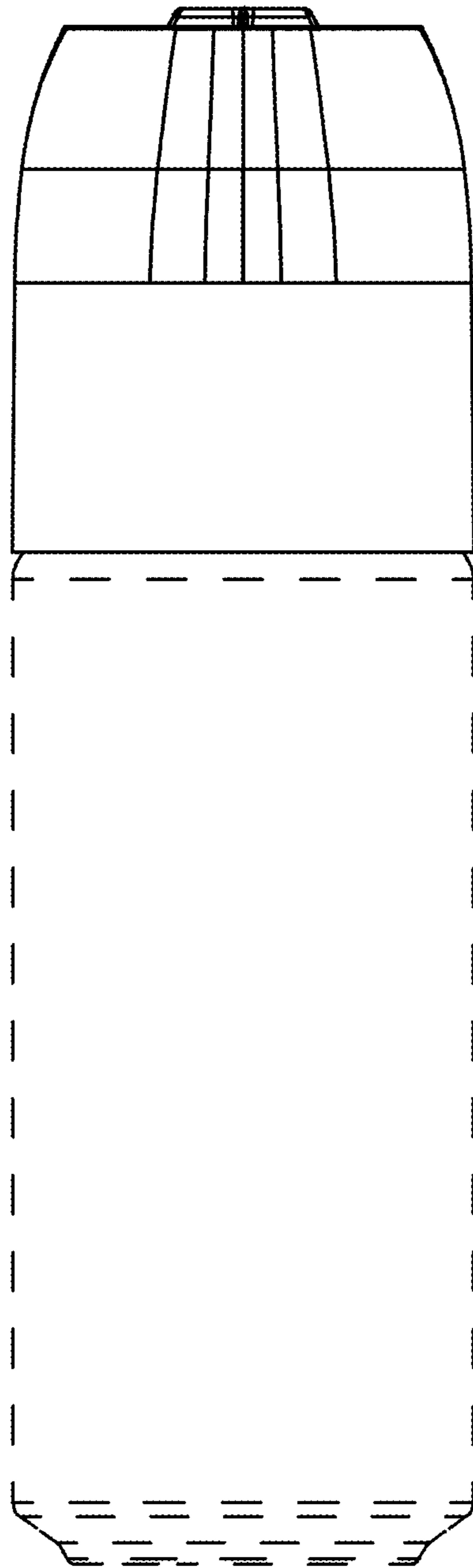


FIG. 3

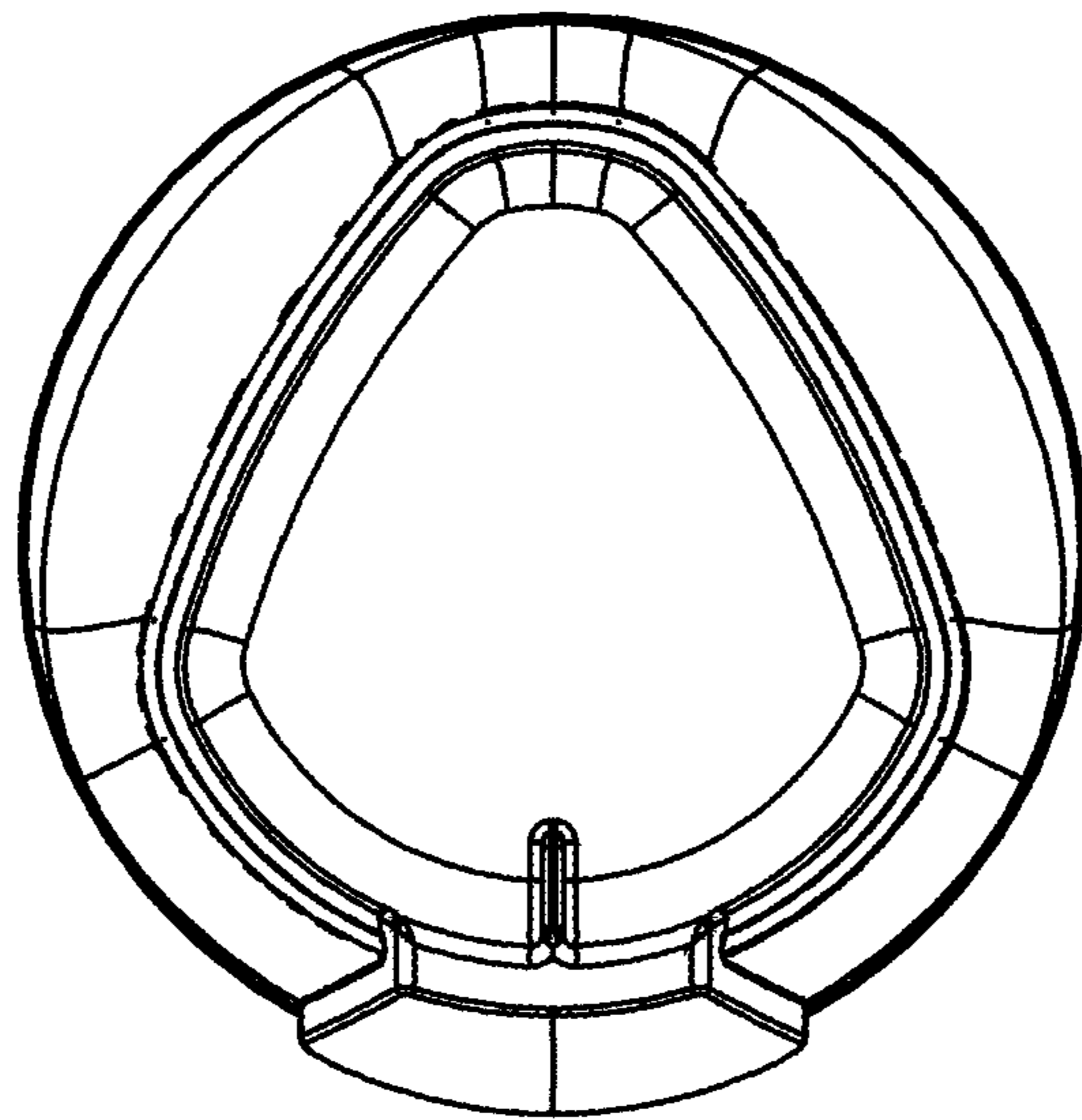


FIG. 4

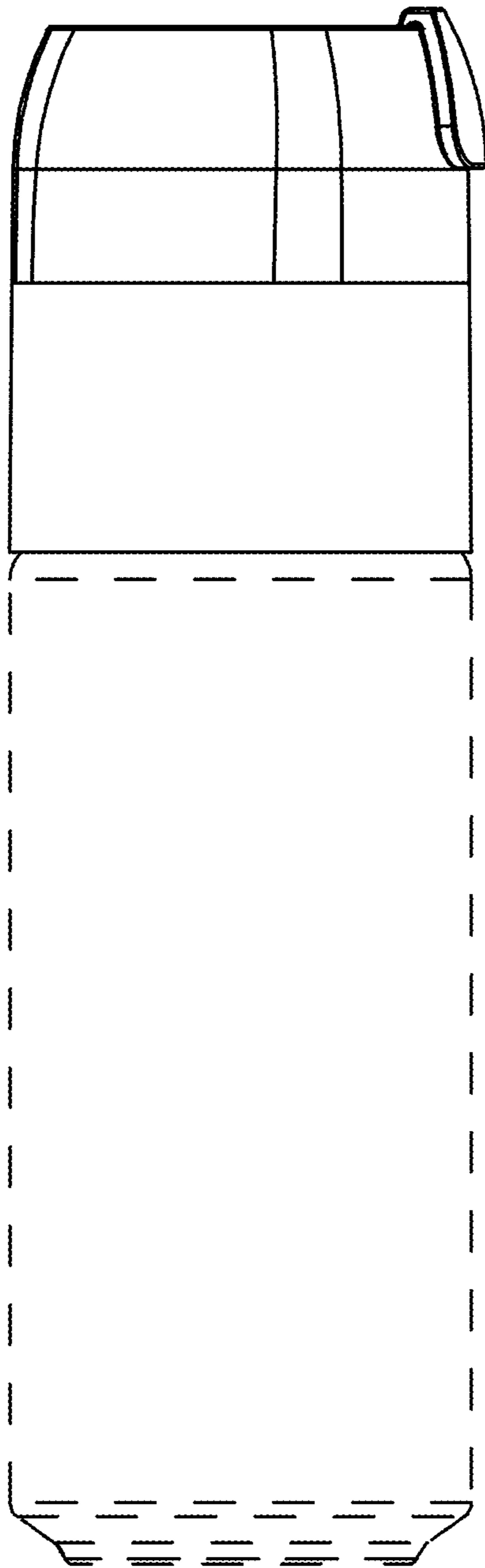


FIG. 5

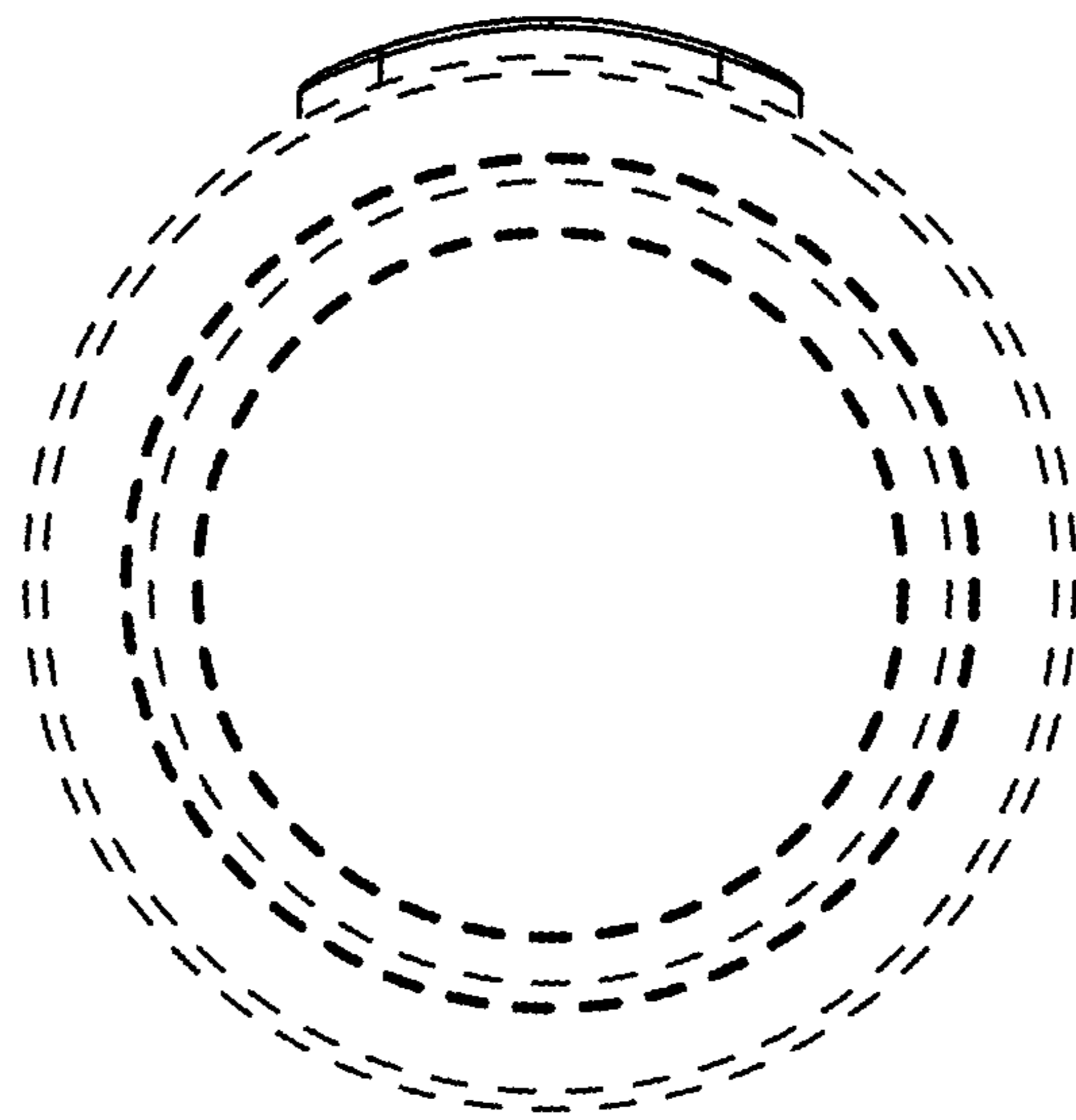


FIG. 6

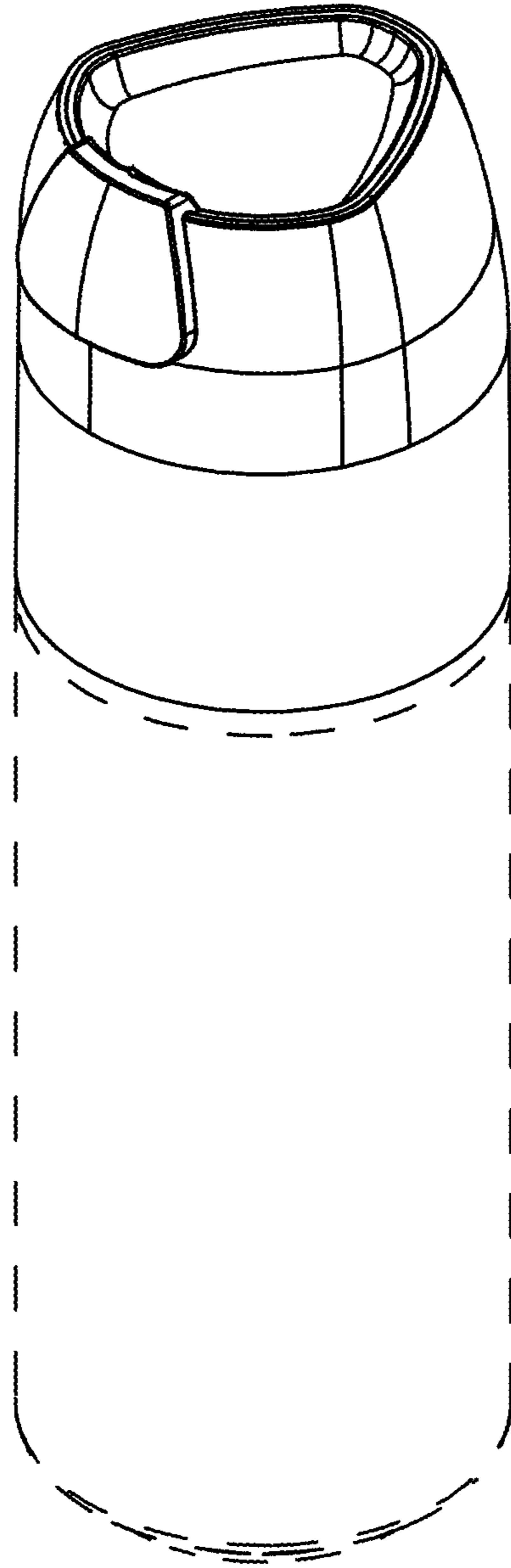


FIG. 7

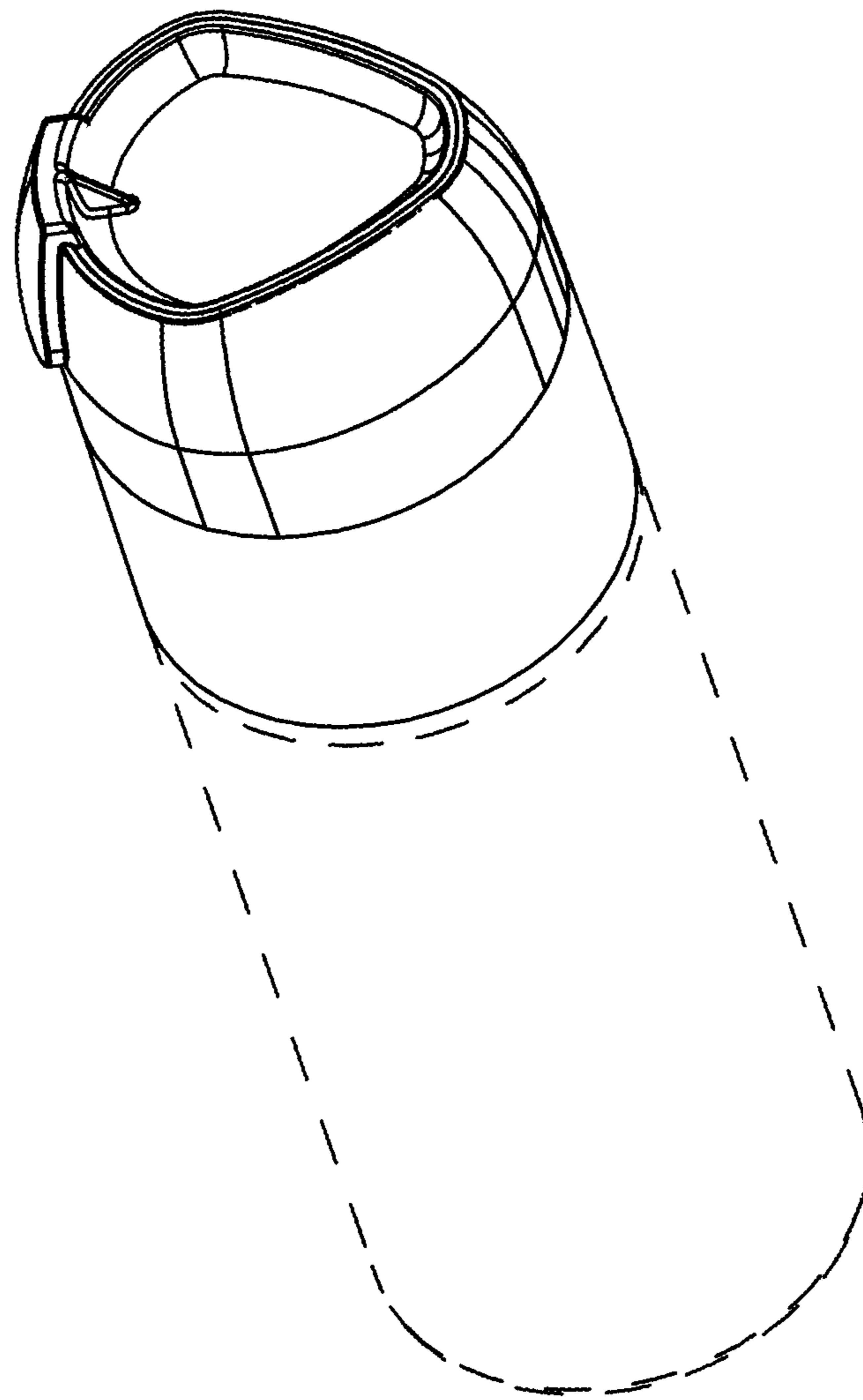


FIG. 8

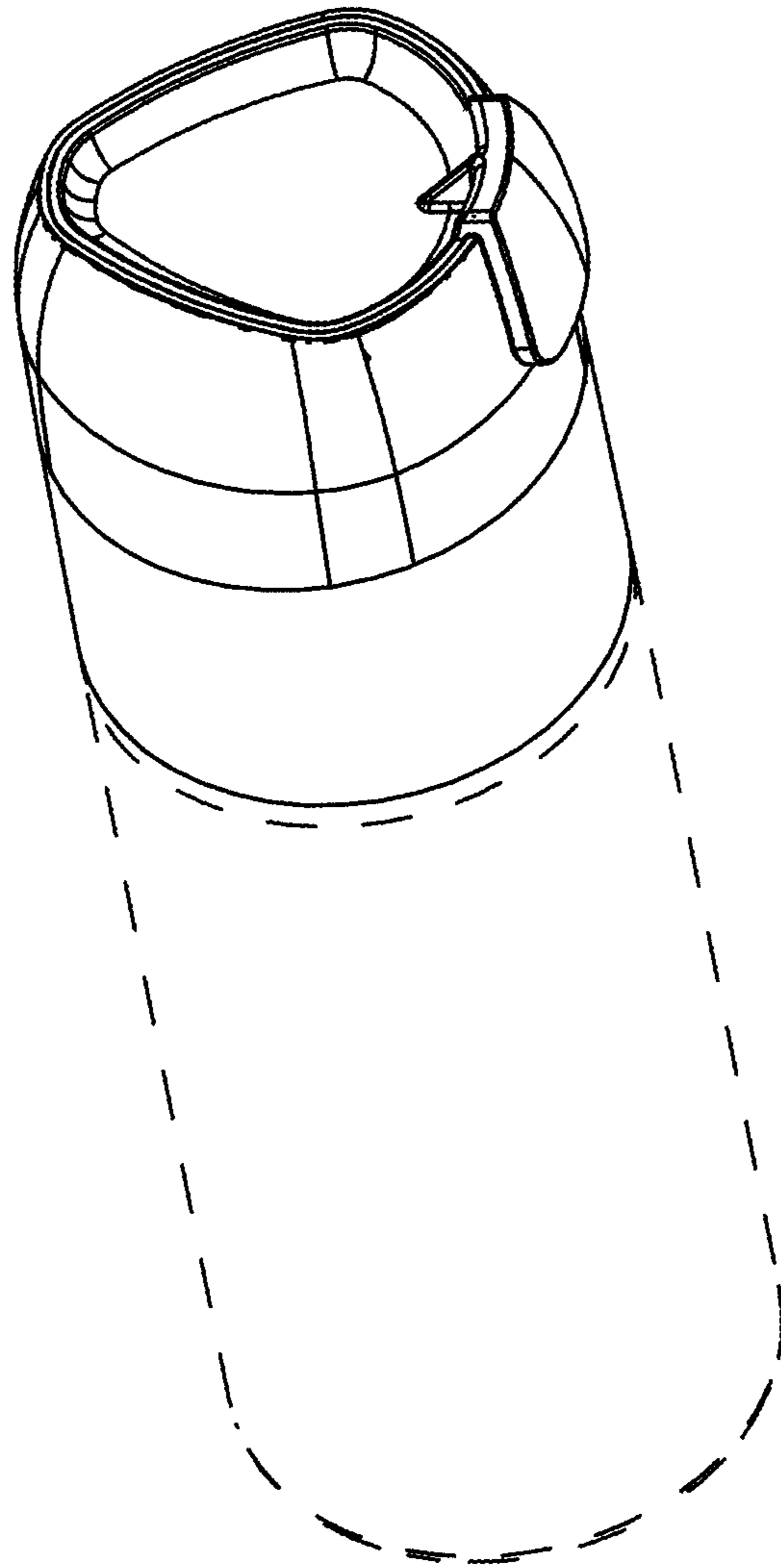


FIG. 9

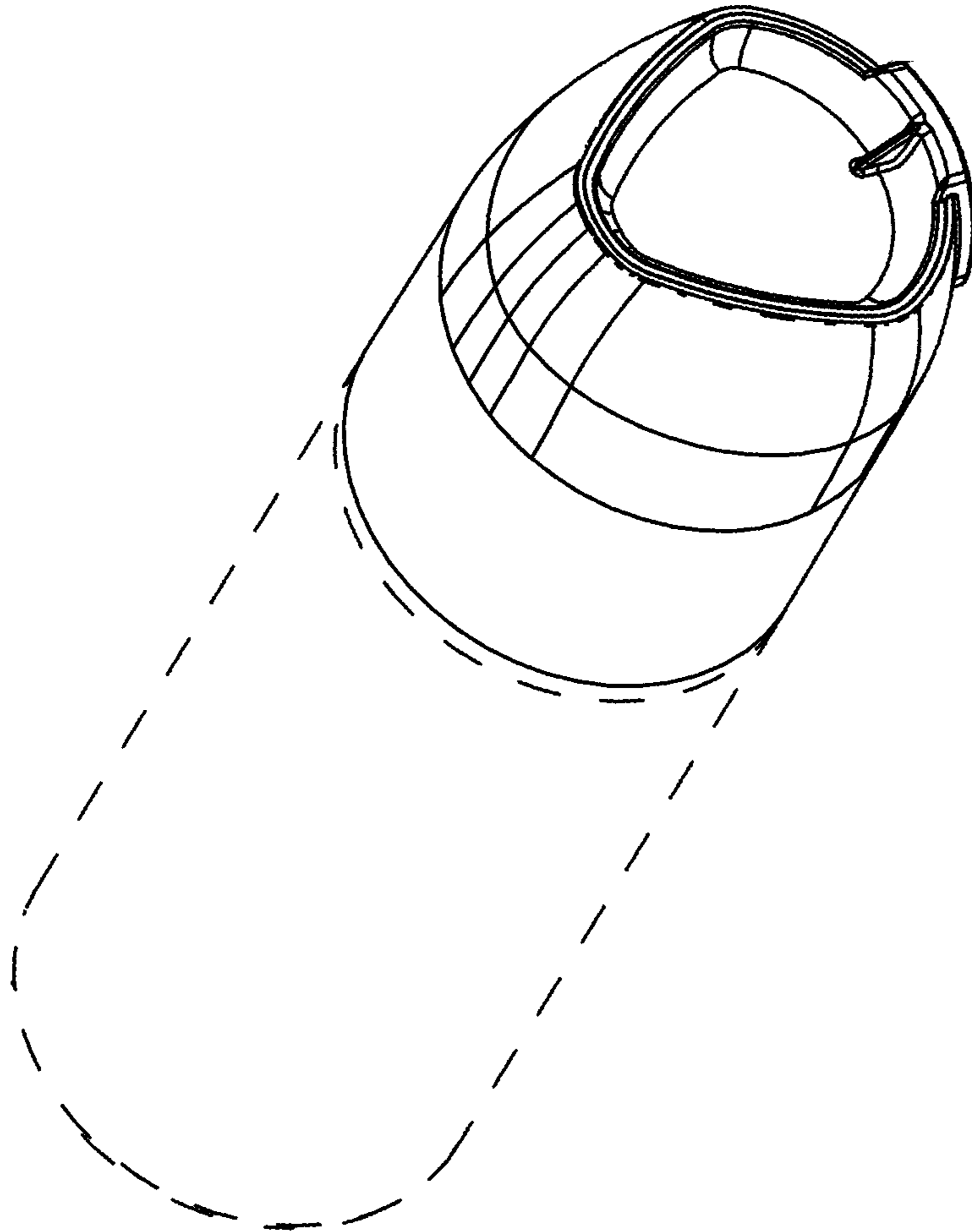


FIG. 10

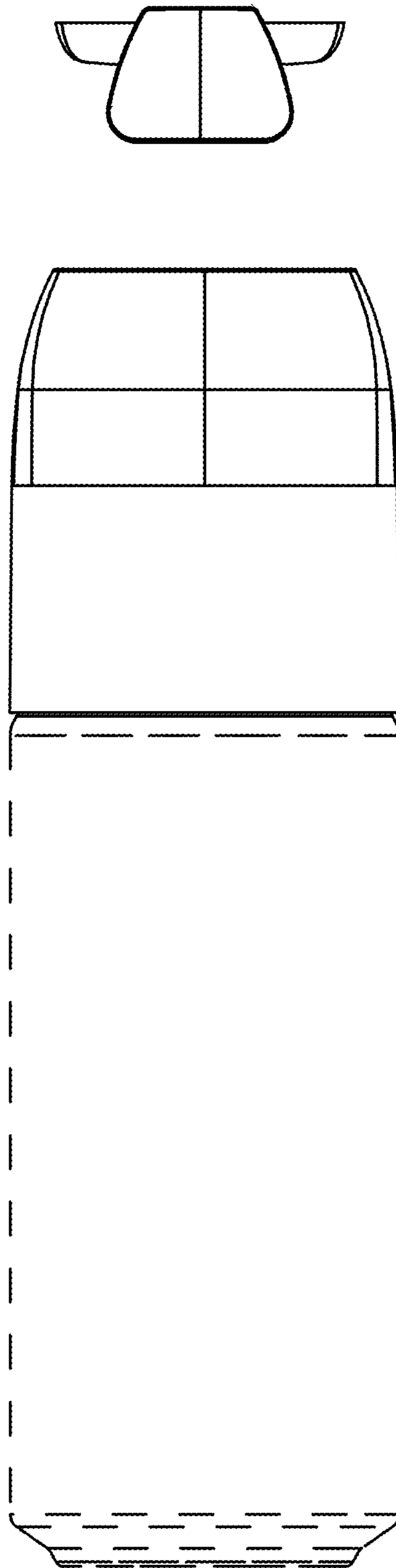


FIG. 11

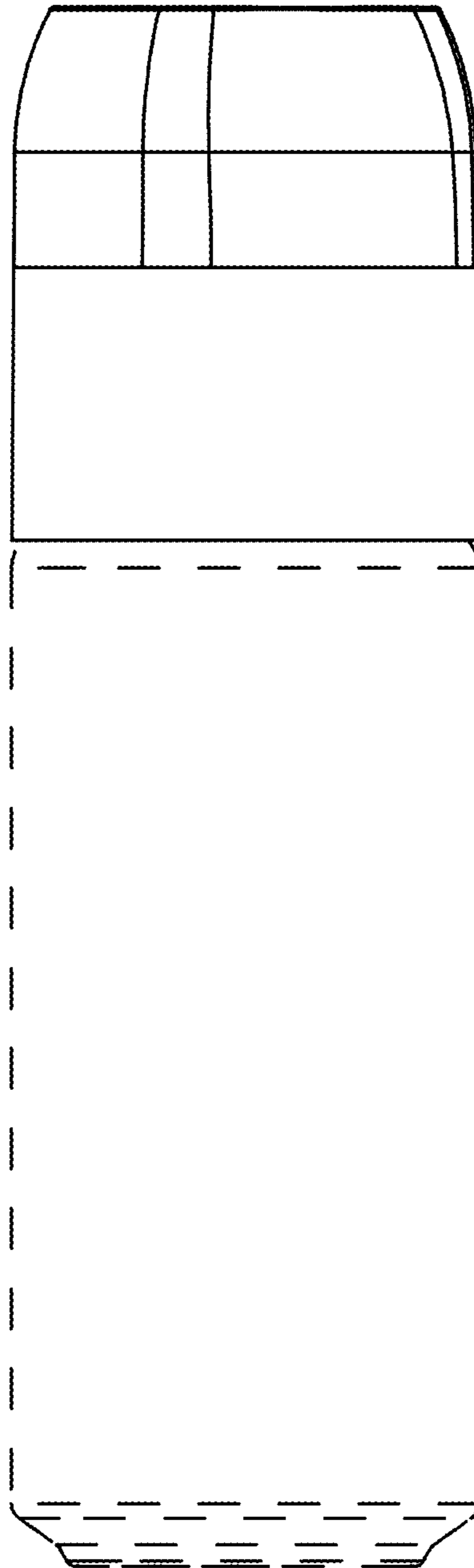
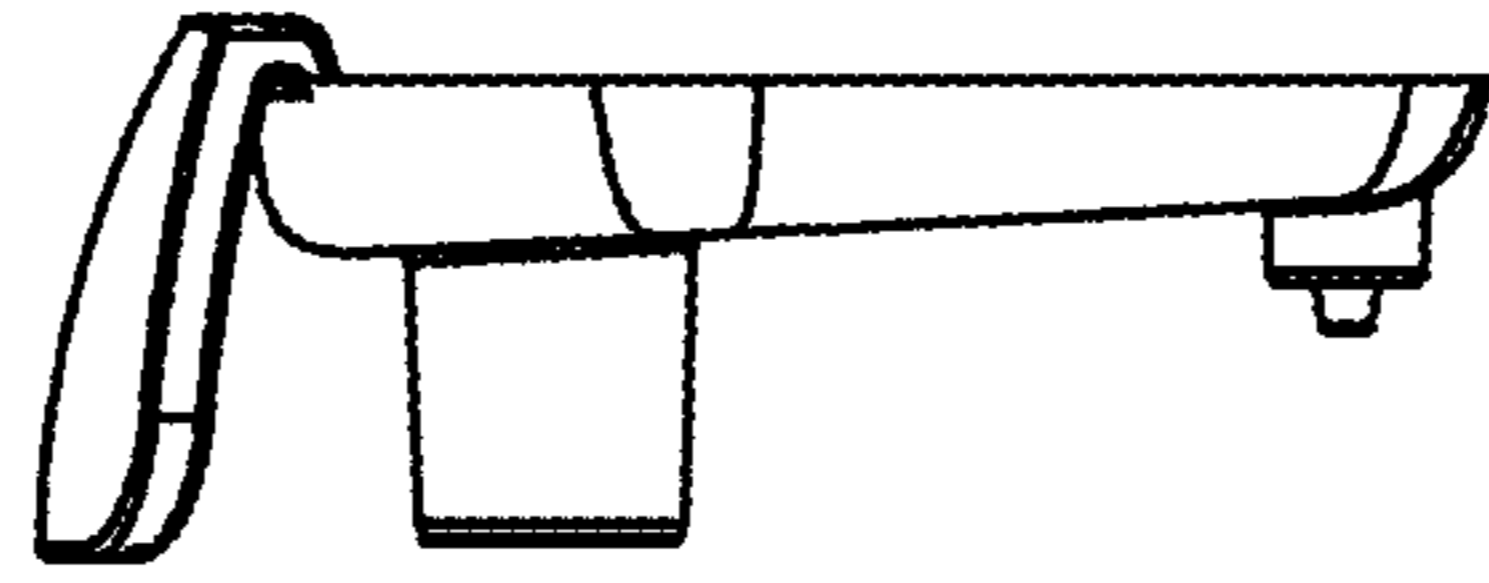


FIG. 12

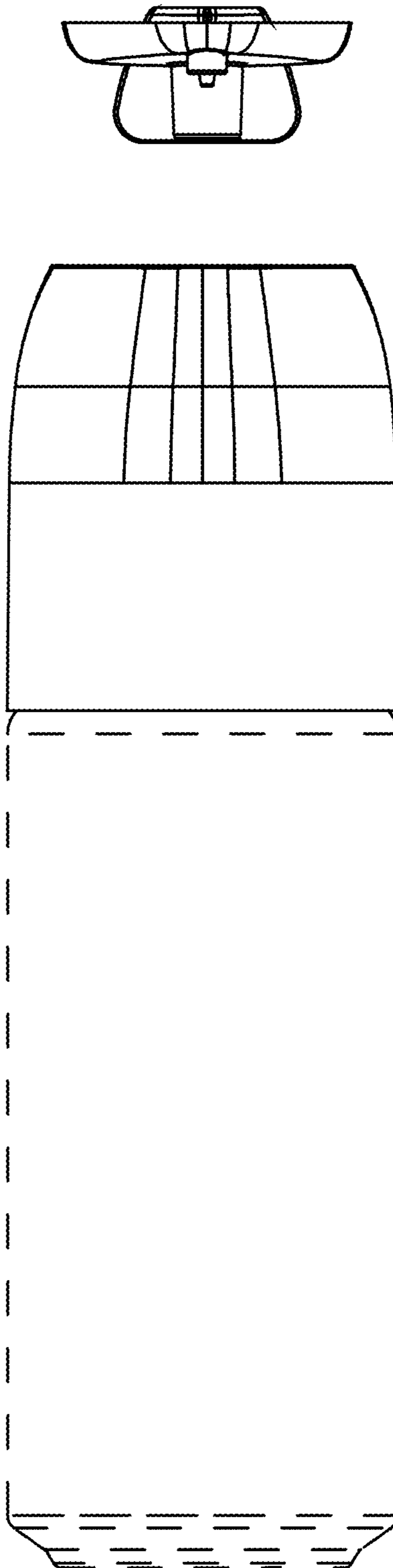


FIG. 13

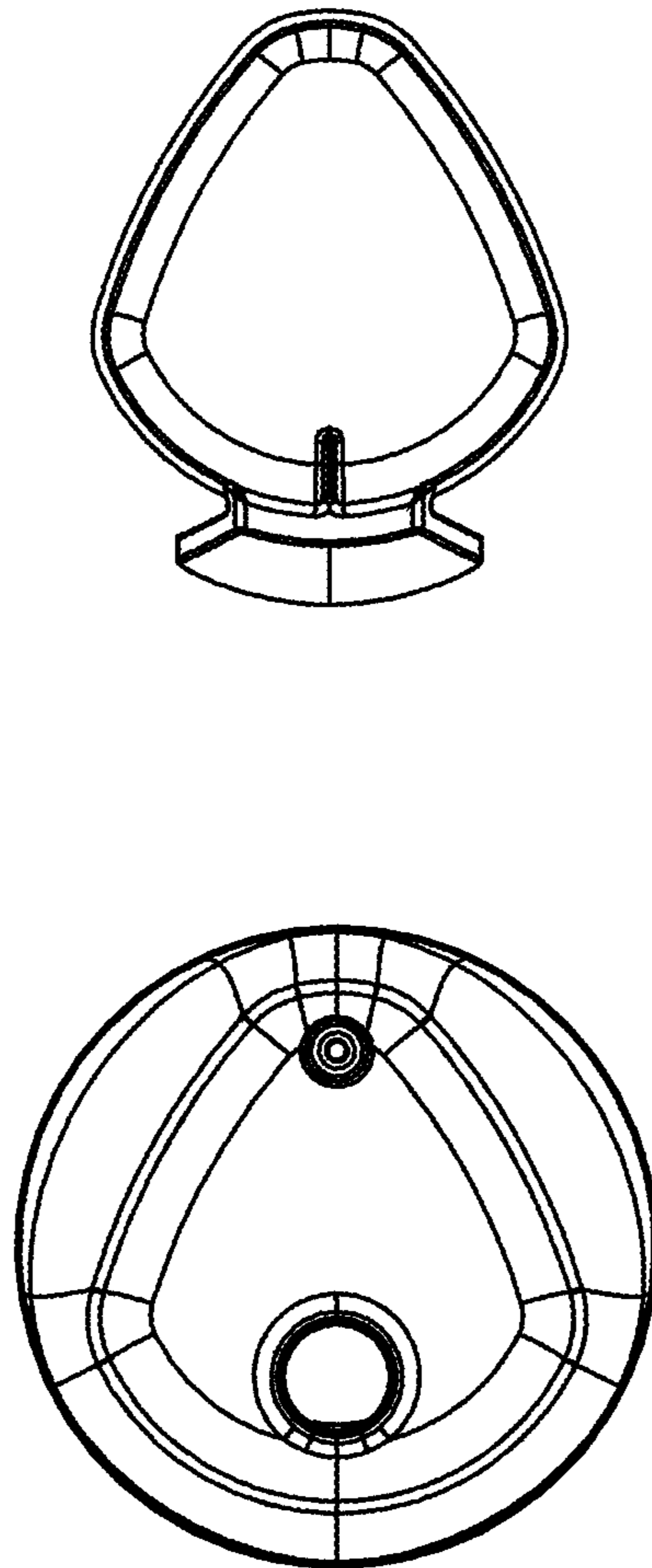


FIG. 14

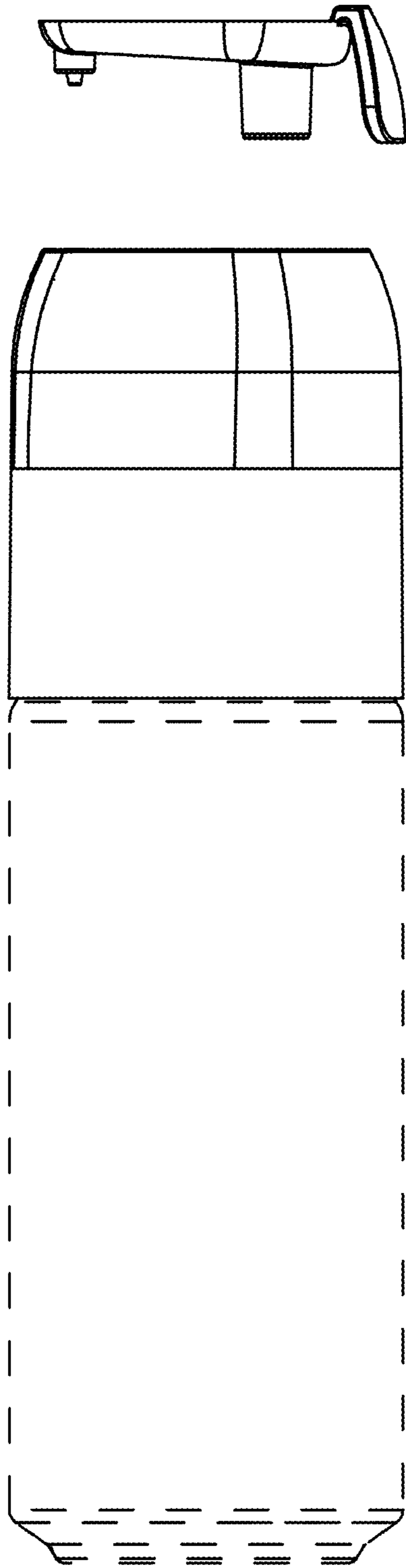


FIG. 15

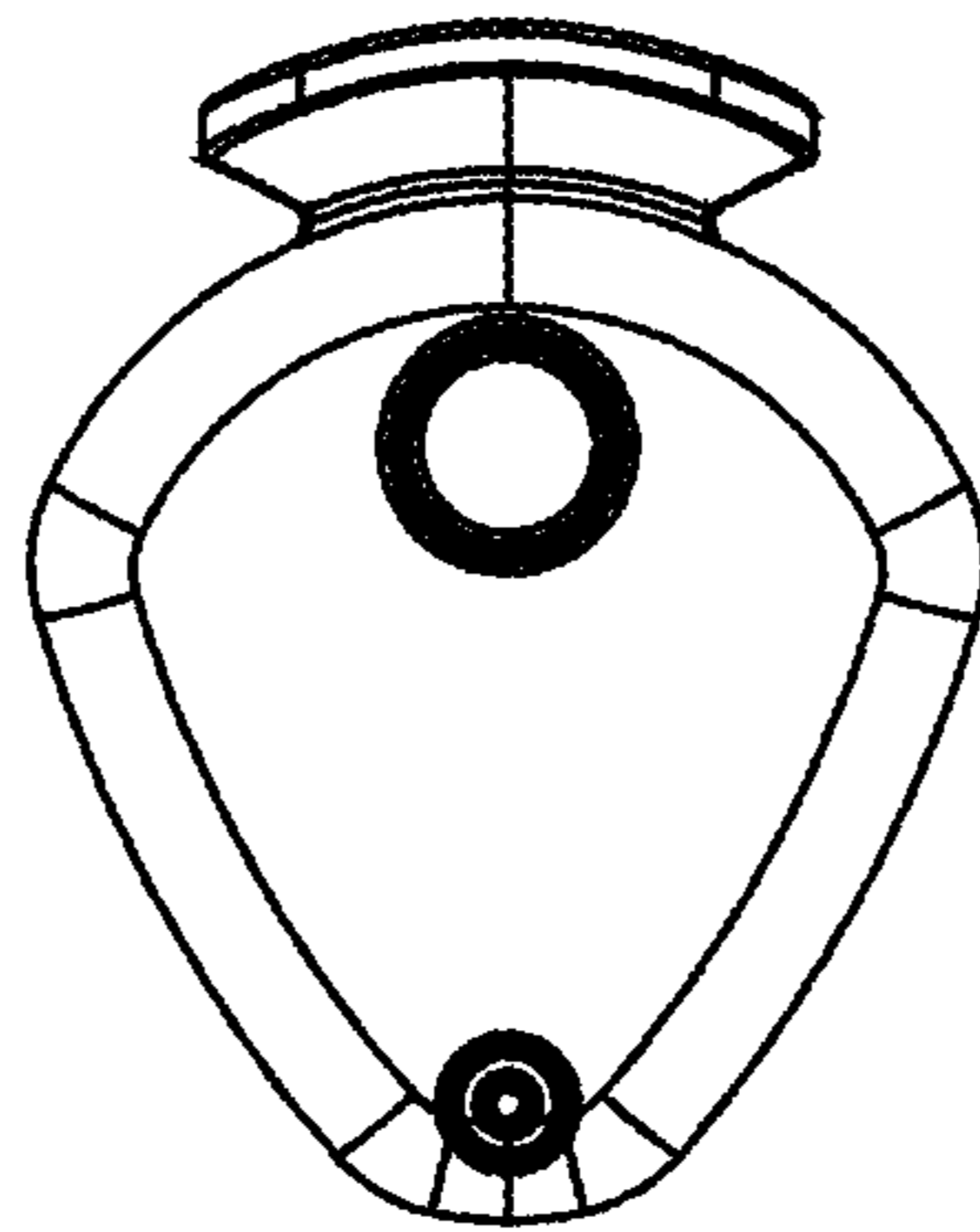
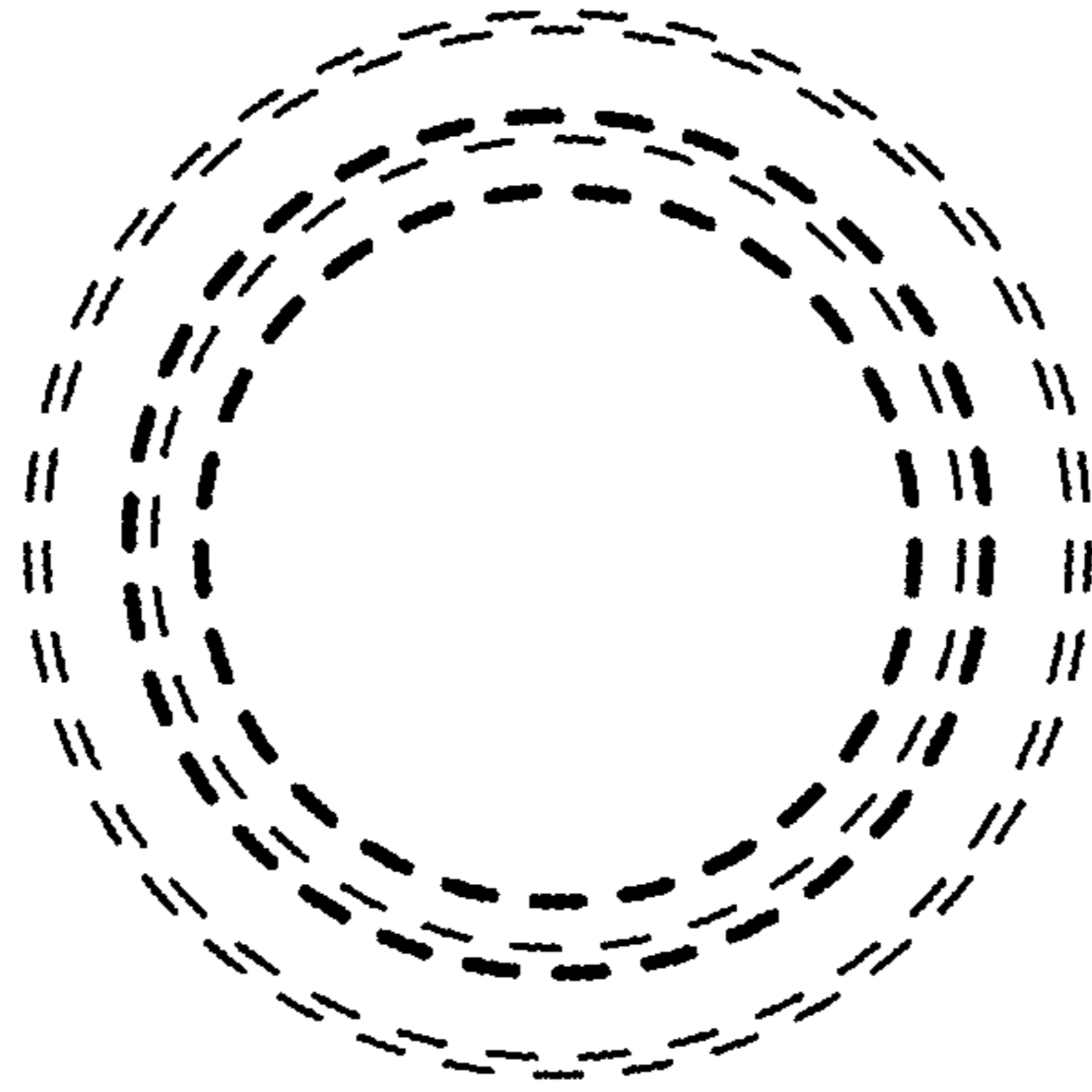


FIG. 16

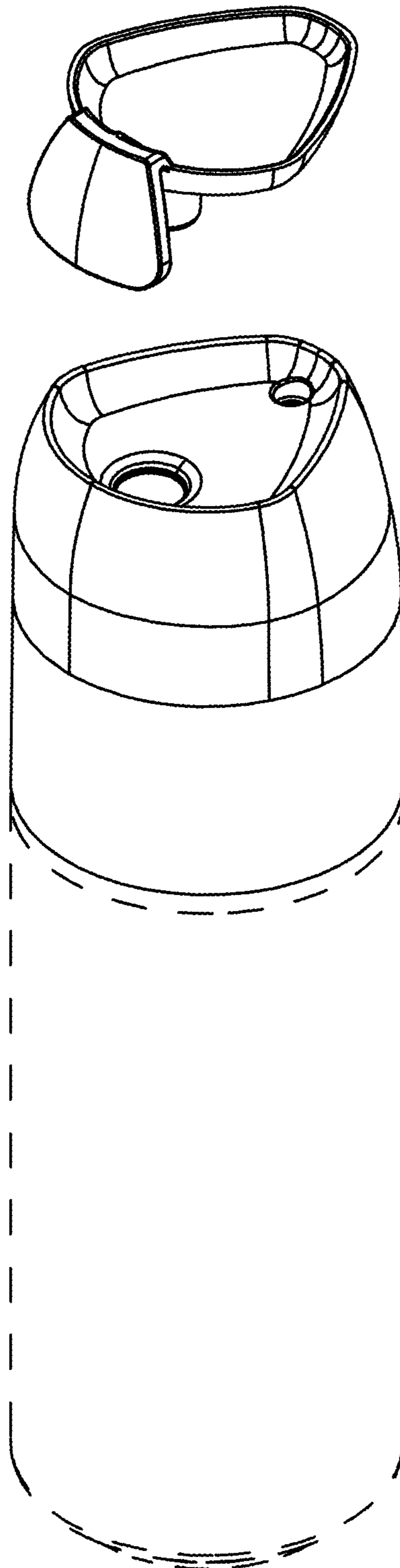


FIG. 17

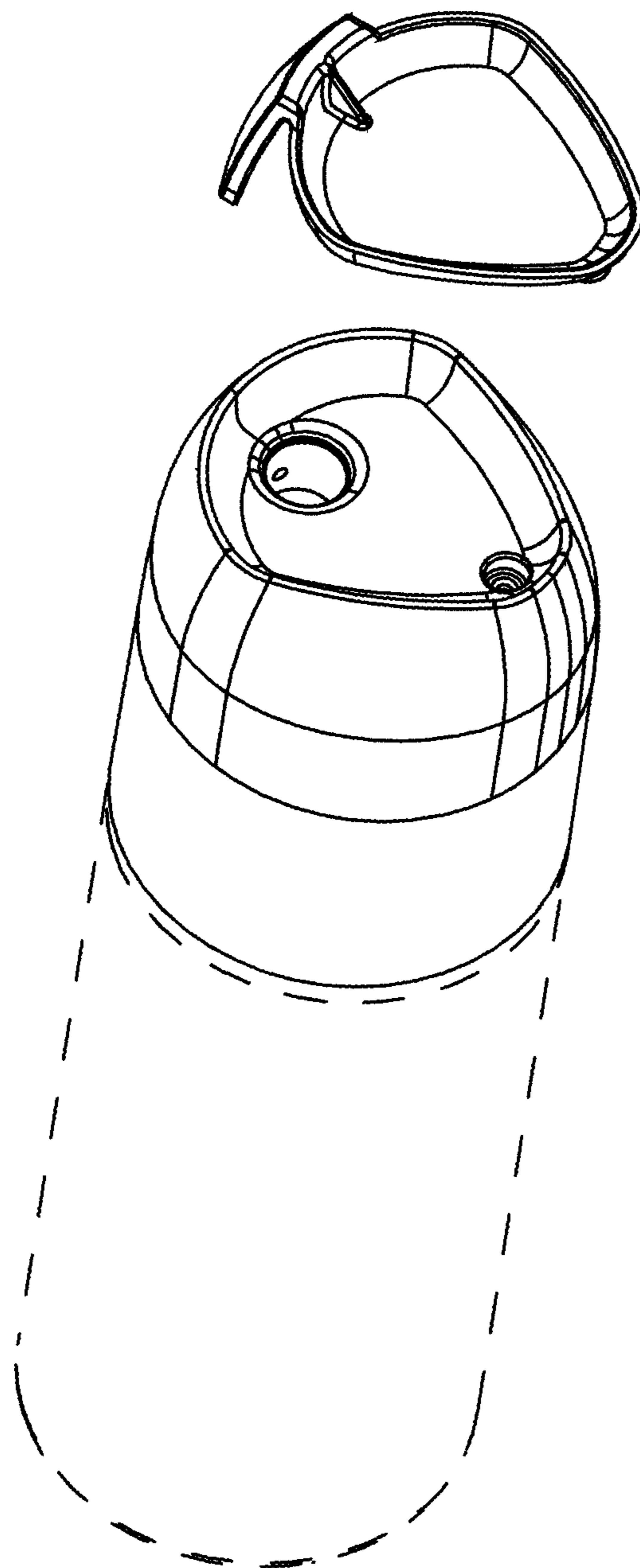


FIG. 18

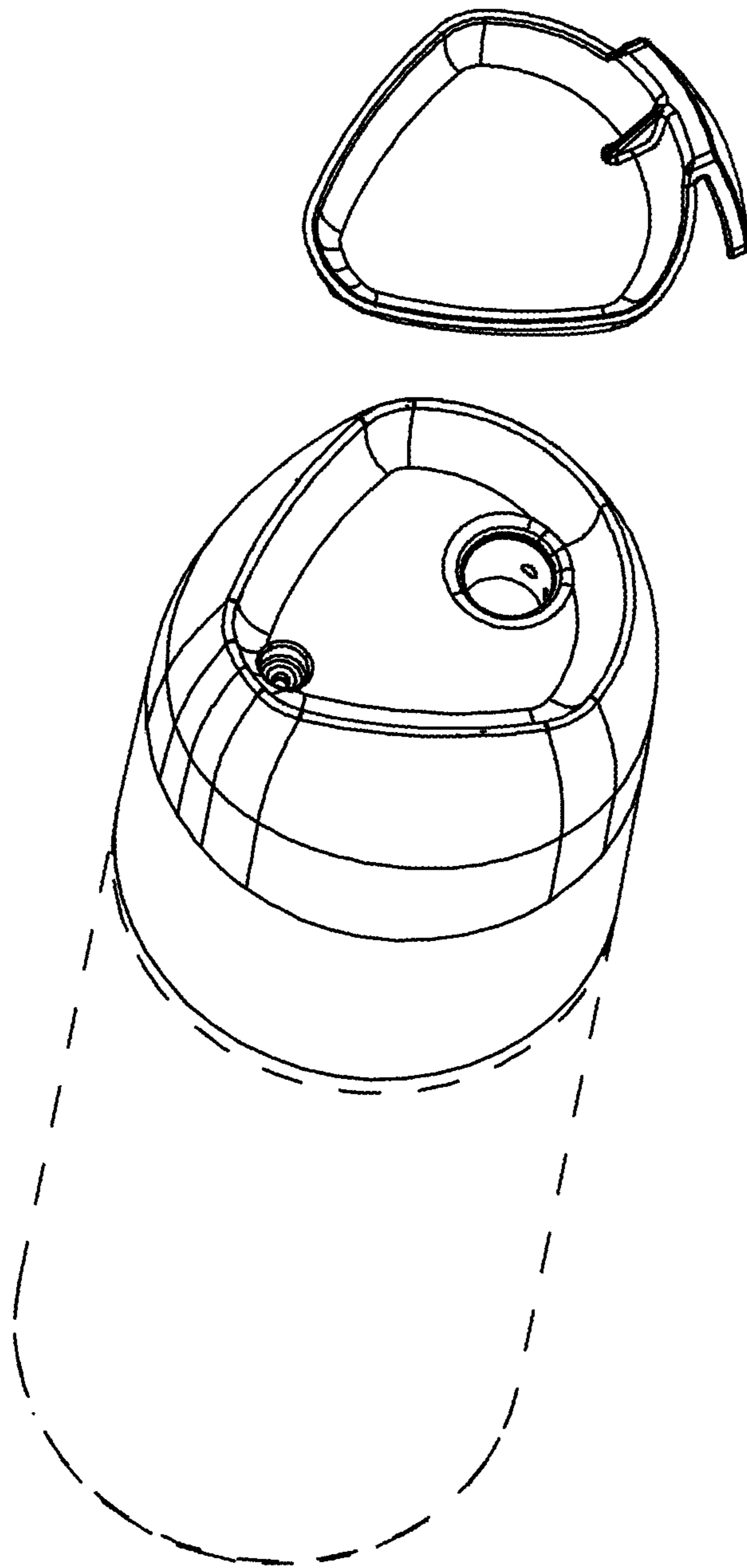


FIG. 19

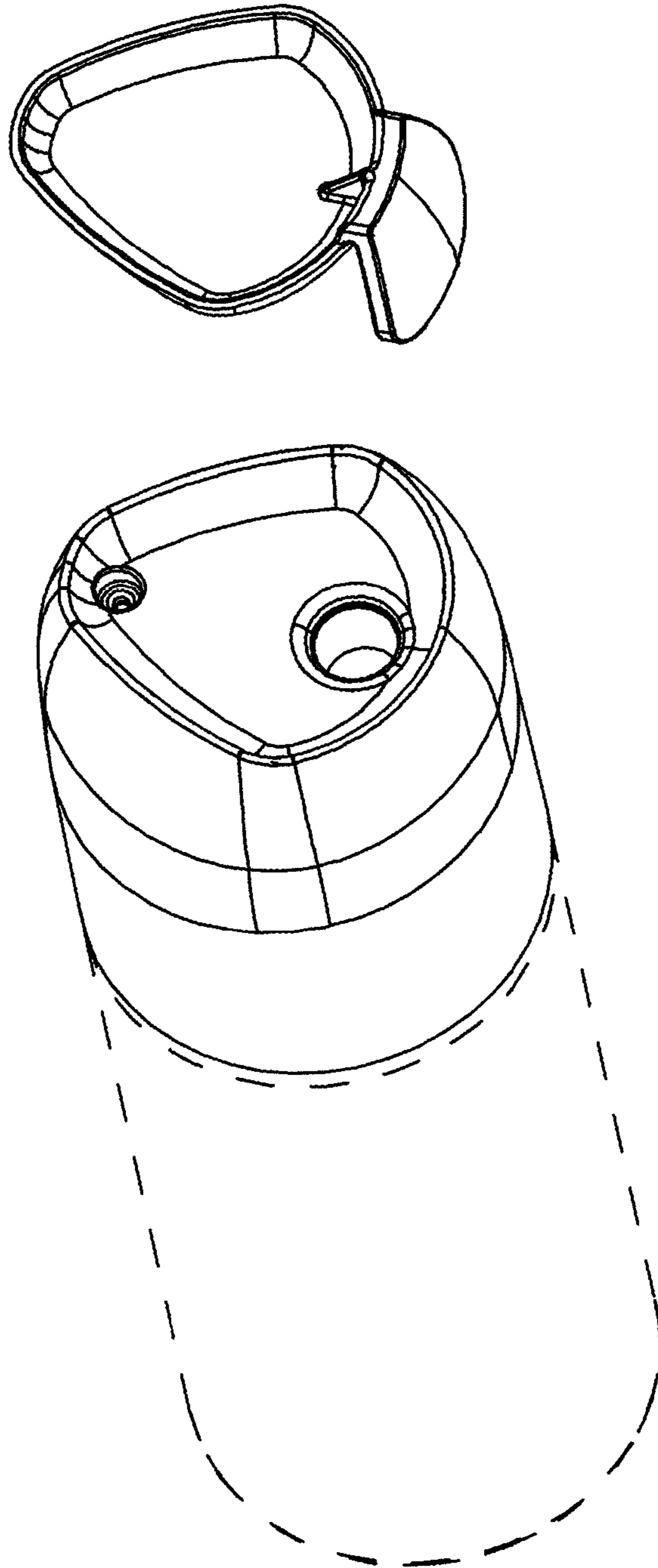


FIG. 20

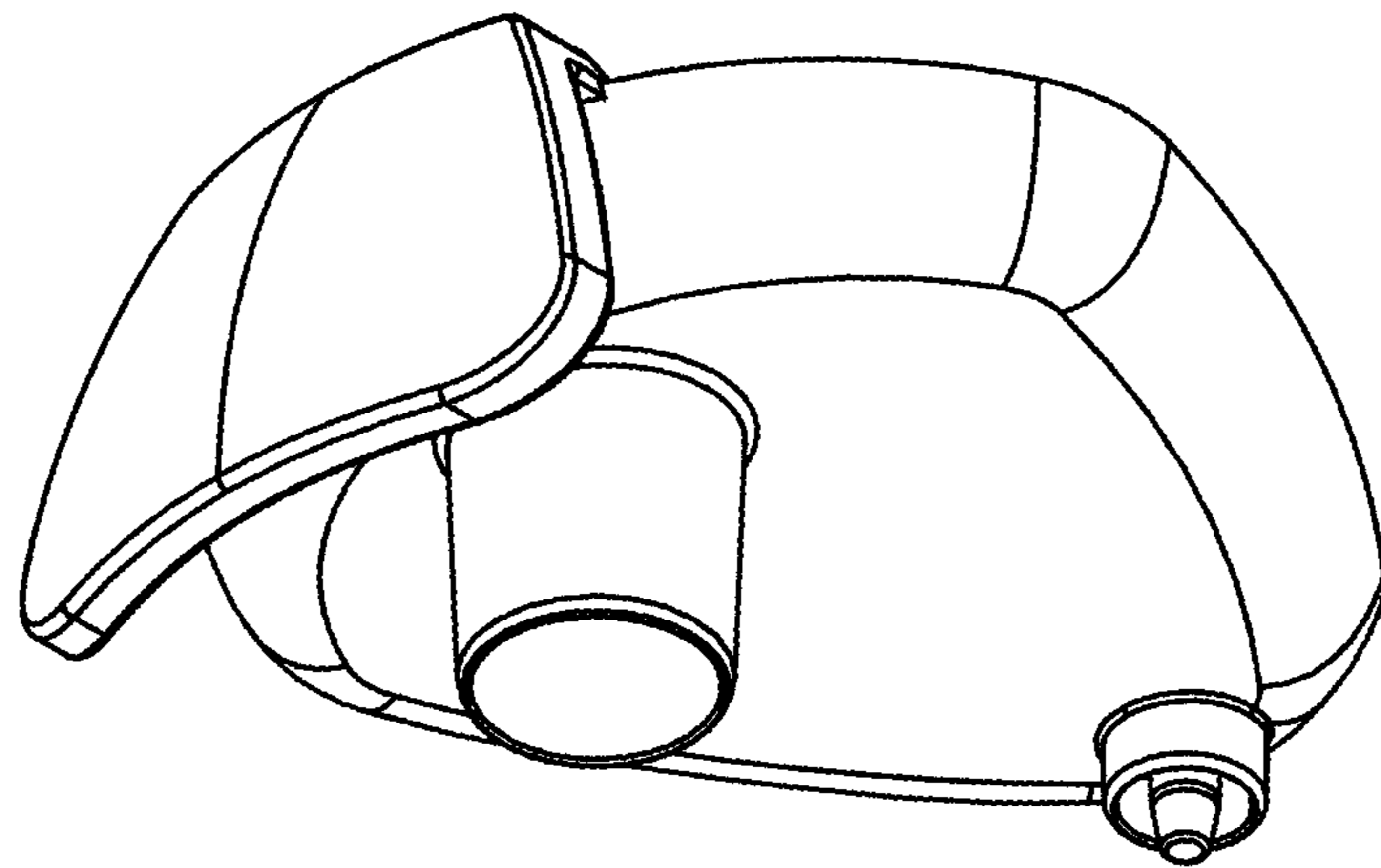


FIG. 21

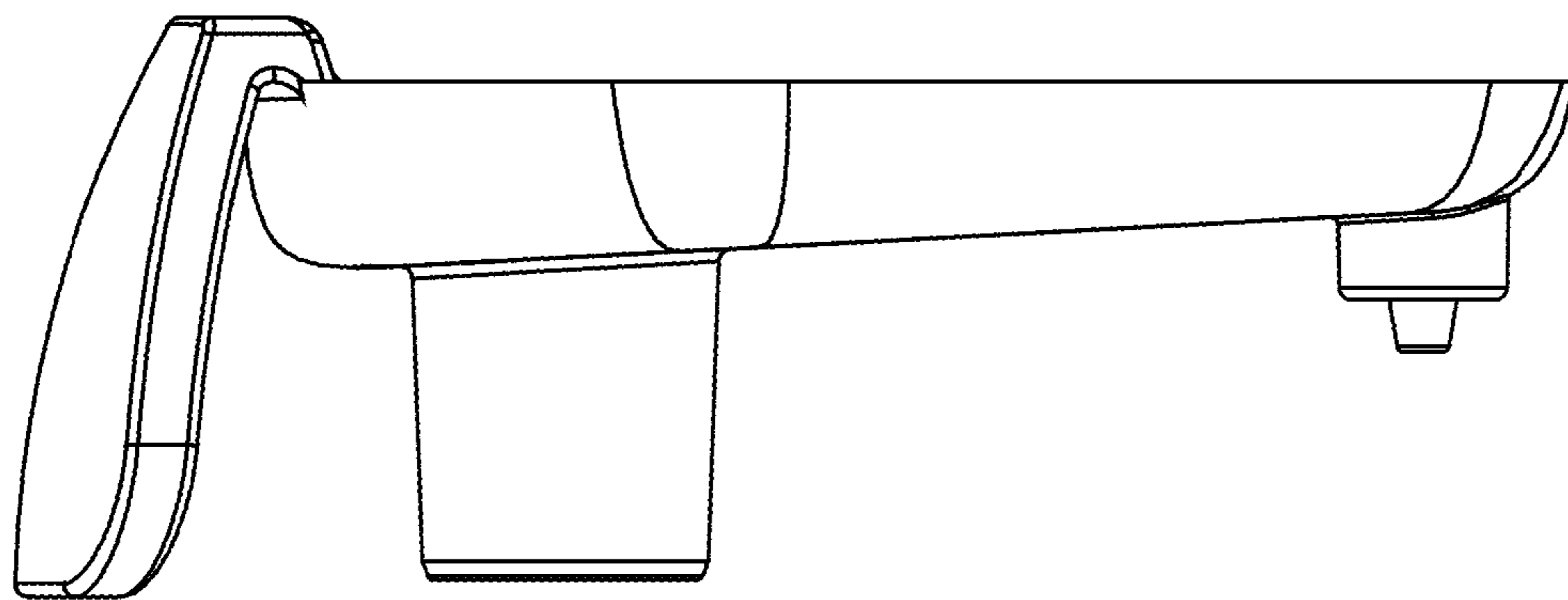


FIG. 22

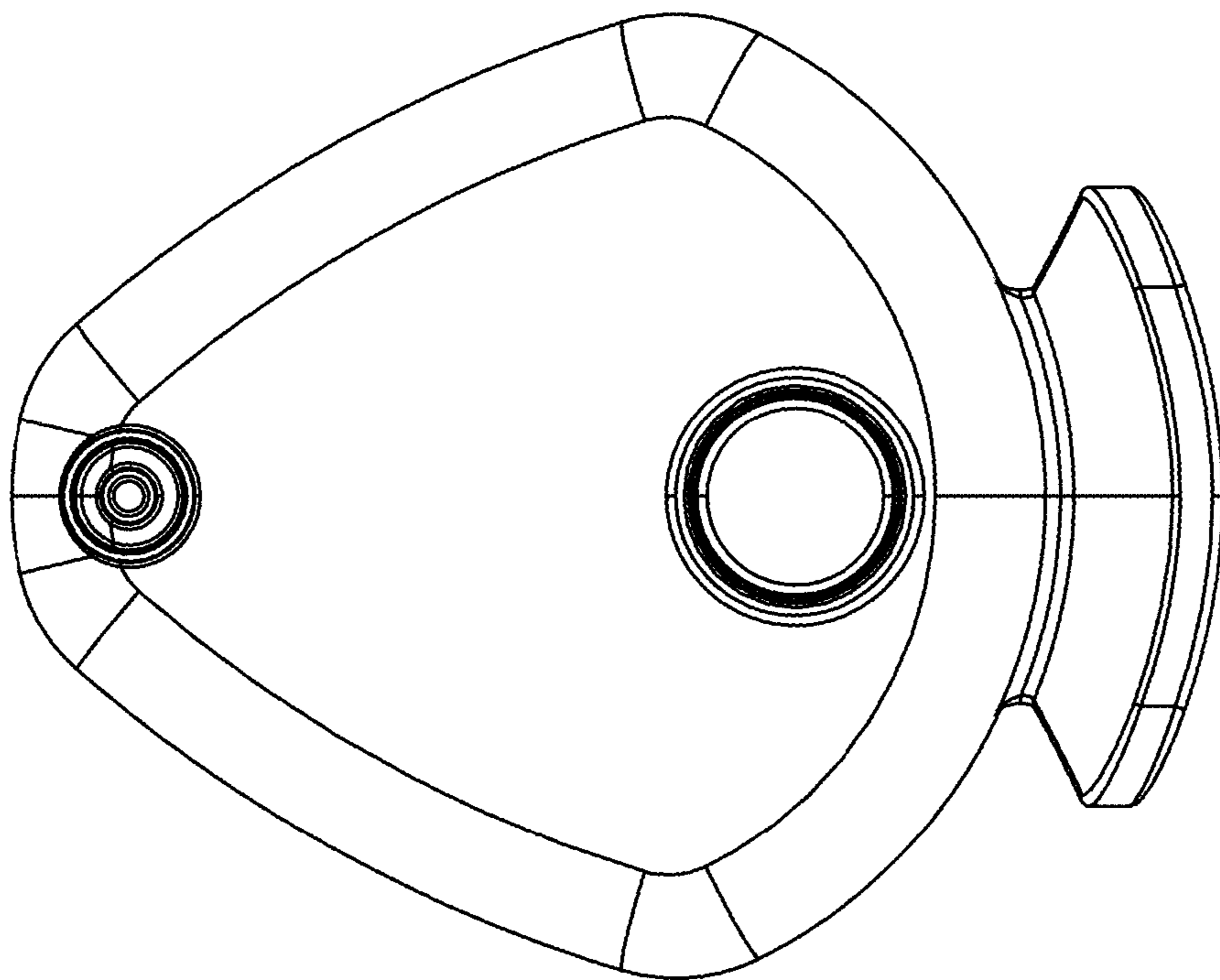


FIG. 23

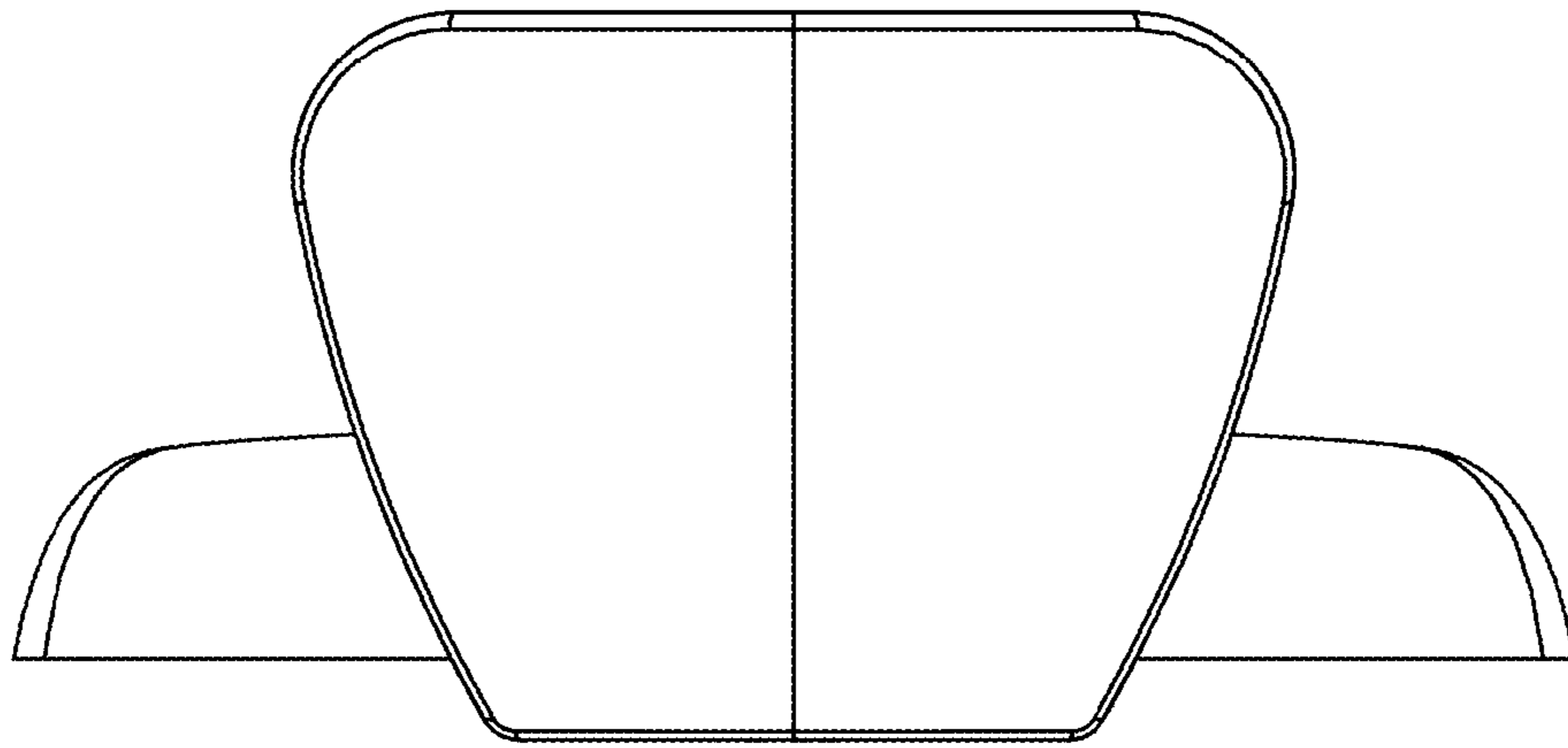


FIG. 24

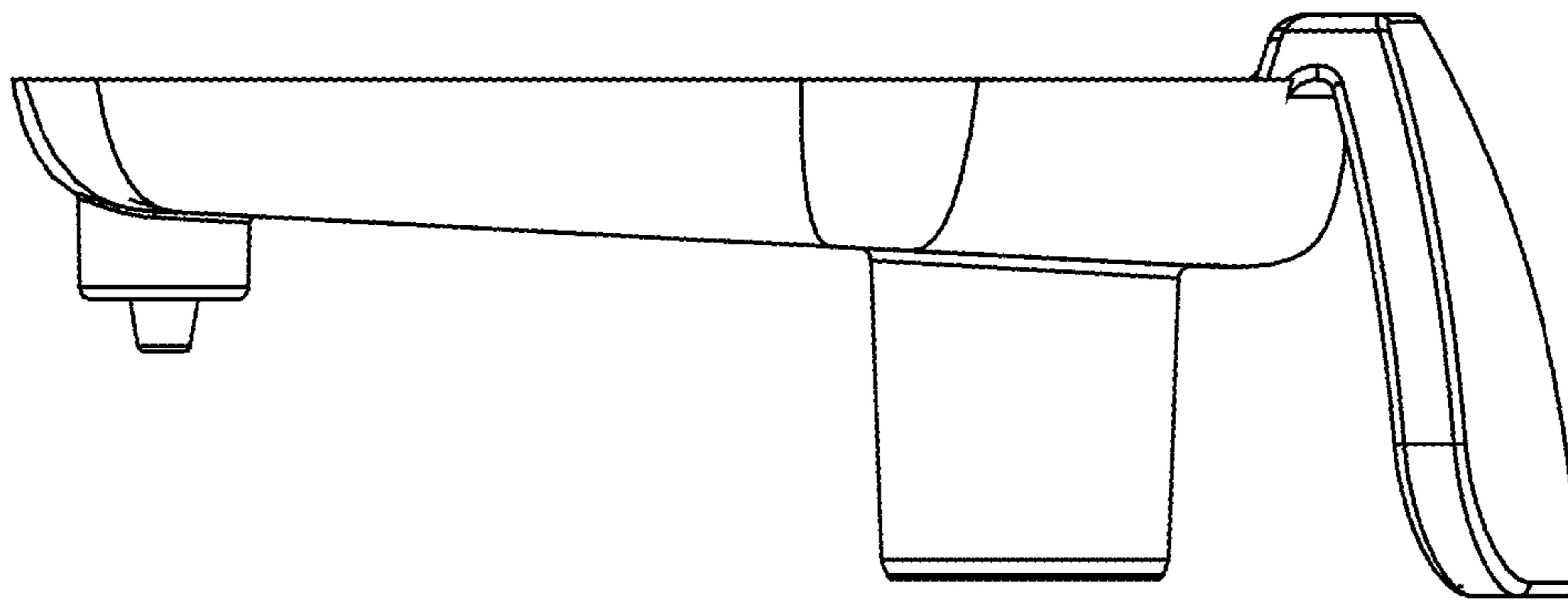


FIG. 25

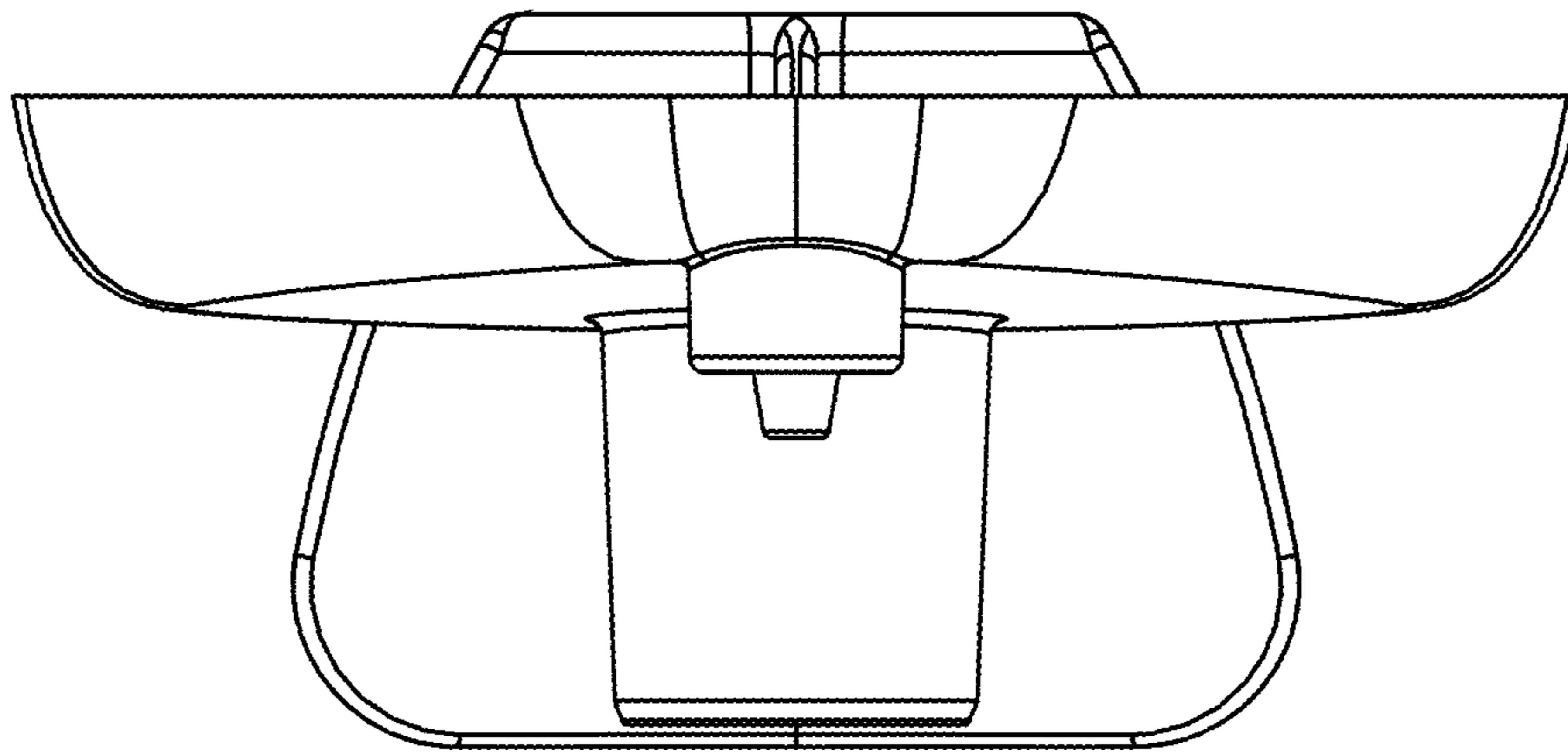


FIG. 26

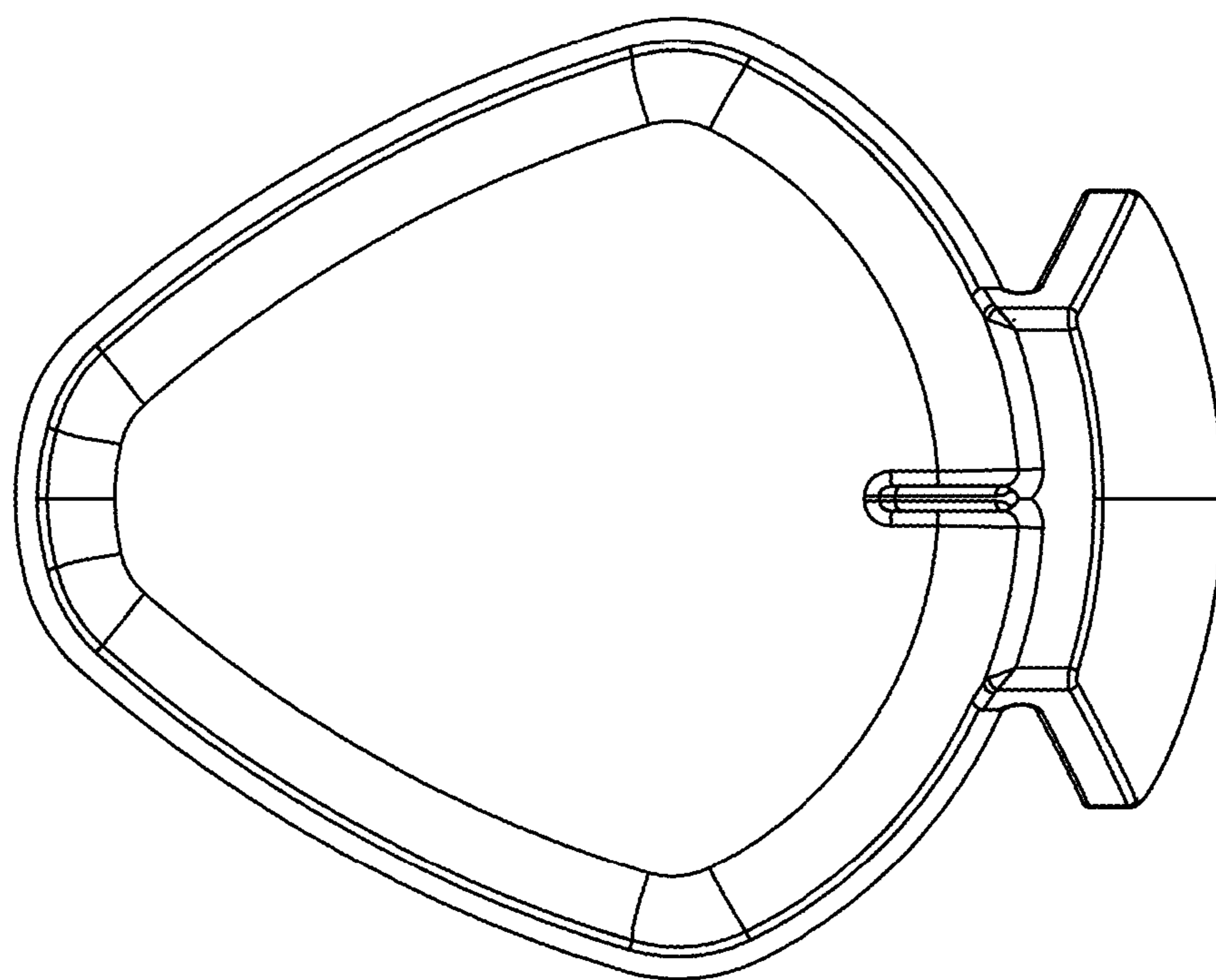


FIG. 27