



US00D768433S

(12) **United States Design Patent** (10) **Patent No.:** **US D768,433 S**
Gee, II et al. (45) **Date of Patent:** **** Oct. 11, 2016**

(54) **TOUCH FACEPLATE**
(71) Applicant: **VITA-MIX CORPORATION**, Olmsted Township, OH (US)
(72) Inventors: **Jack Warren Gee, II**, Willoughby, OH (US); **David J. Kolar**, Stow, OH (US)
(73) Assignee: **VITA-MIX MANAGEMENT CORPORATION**, Olmsted Township, OH (US)

D605,461 S * 12/2009 Picozza D7/378
D605,462 S * 12/2009 Picozza D7/378
D625,141 S * 10/2010 Moore D7/376
D647,357 S * 10/2011 Audette D7/376
D660,642 S * 5/2012 Boozer D7/376
D668,100 S * 10/2012 Palermo D7/376
D677,976 S * 3/2013 Palermo D7/376
D690,152 S * 9/2013 Palermo D7/376
D702,078 S * 4/2014 Coakley D7/376
D705,010 S * 5/2014 Coakley D7/412
D711,688 S * 8/2014 Prats D7/378

(**) Term: **14 Years**

* cited by examiner

(21) Appl. No.: **29/506,050**

Primary Examiner — Ricky Pham

(22) Filed: **Oct. 13, 2014**

(74) *Attorney, Agent, or Firm* — Pearne & Gordon LLP

(51) **LOC (10) Cl.** **31-00**

(52) **U.S. Cl.**
USPC **D7/386; D7/376; D7/378; D7/412; D7/413**

(57) **CLAIM**

The ornamental design for a touch faceplate, as shown and described.

(58) **Field of Classification Search**
USPC D7/372, 376–386, 412–413, 602, 629, D7/665–666, 669, 679, 693–694
CPC A21C 1/02; A21C 1/04; A23N 1/00; A23N 1/02; A47J 43/04; A47J 43/25; A47J 43/27; A47J 43/042; A47J 43/044; A47J 43/046; A47J 43/075; A47J 43/0722; A47J 43/0727; B01F 3/00; B01F 3/0807; B01F 3/0853; B01F 13/0059; B01F 13/0064; B02C 1/08; B02C 2/04; B02C 4/42; B02C 4/142; B02C 4/143; B02C 4/423; B02C 13/1835; B28C 5/10; B28C 5/12; B28C 5/14; B28C 5/16
See application file for complete search history.

DESCRIPTION

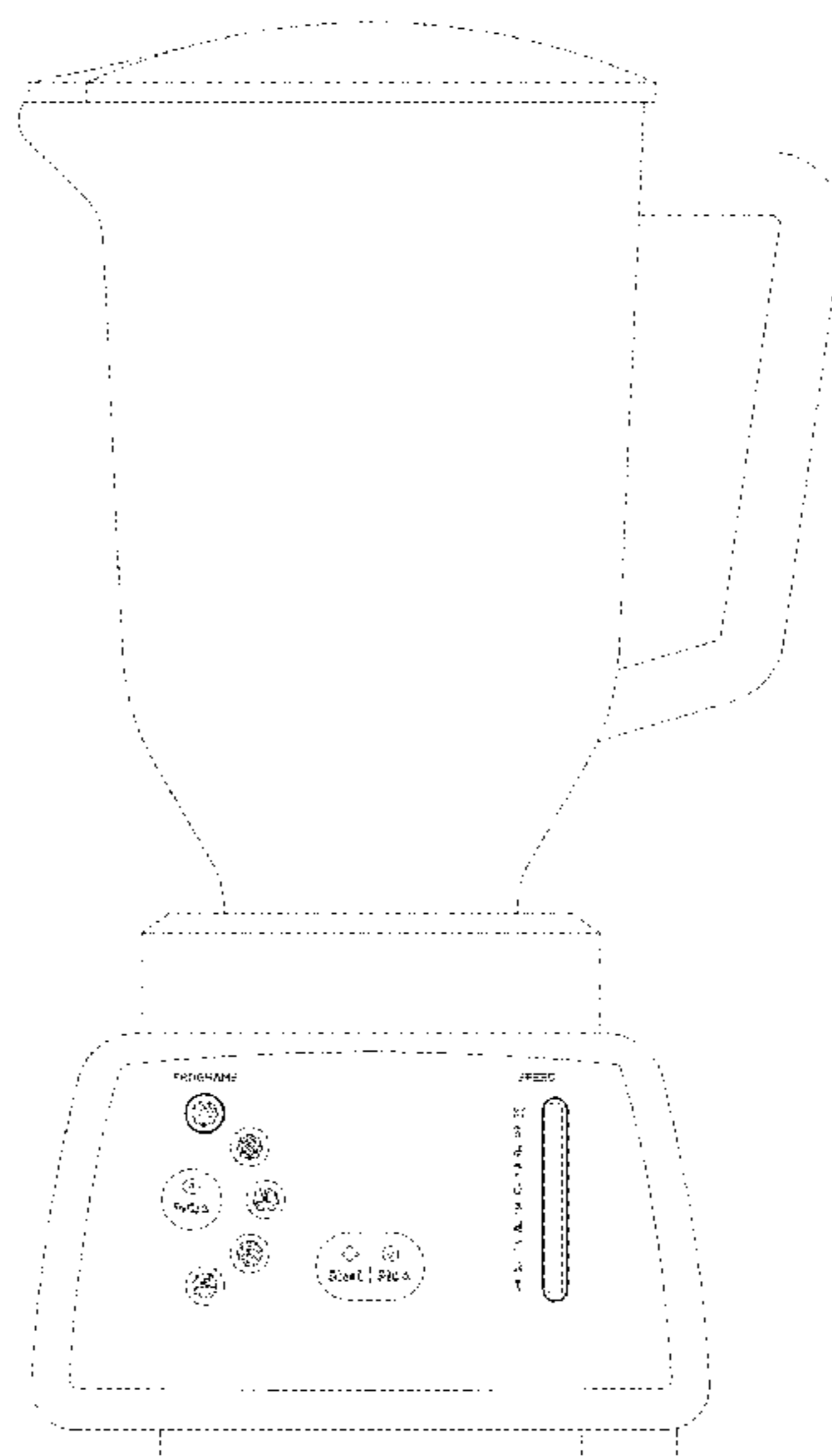
FIG. 1 is a front view of one embodiment of my new touch faceplate;
FIG. 2 is a front view of another embodiment of my new touch faceplate;
FIG. 3 is a front view of another embodiment of my new touch faceplate;
FIG. 4 is a front view of another embodiment of my new touch faceplate;
FIG. 5 is a front view of another embodiment of my new touch faceplate;
FIG. 6 is a front view of another embodiment of my new touch faceplate; and,
FIG. 7 is a front view of another embodiment of my new touch faceplate.
The broken lines shown in the drawings are for illustrative purposes only and form no part of the claimed design.

(56) **References Cited**

U.S. PATENT DOCUMENTS

D242,208 S * 11/1976 Madl et al. D7/378
D552,419 S * 10/2007 Picozza D7/412

1 Claim, 7 Drawing Sheets



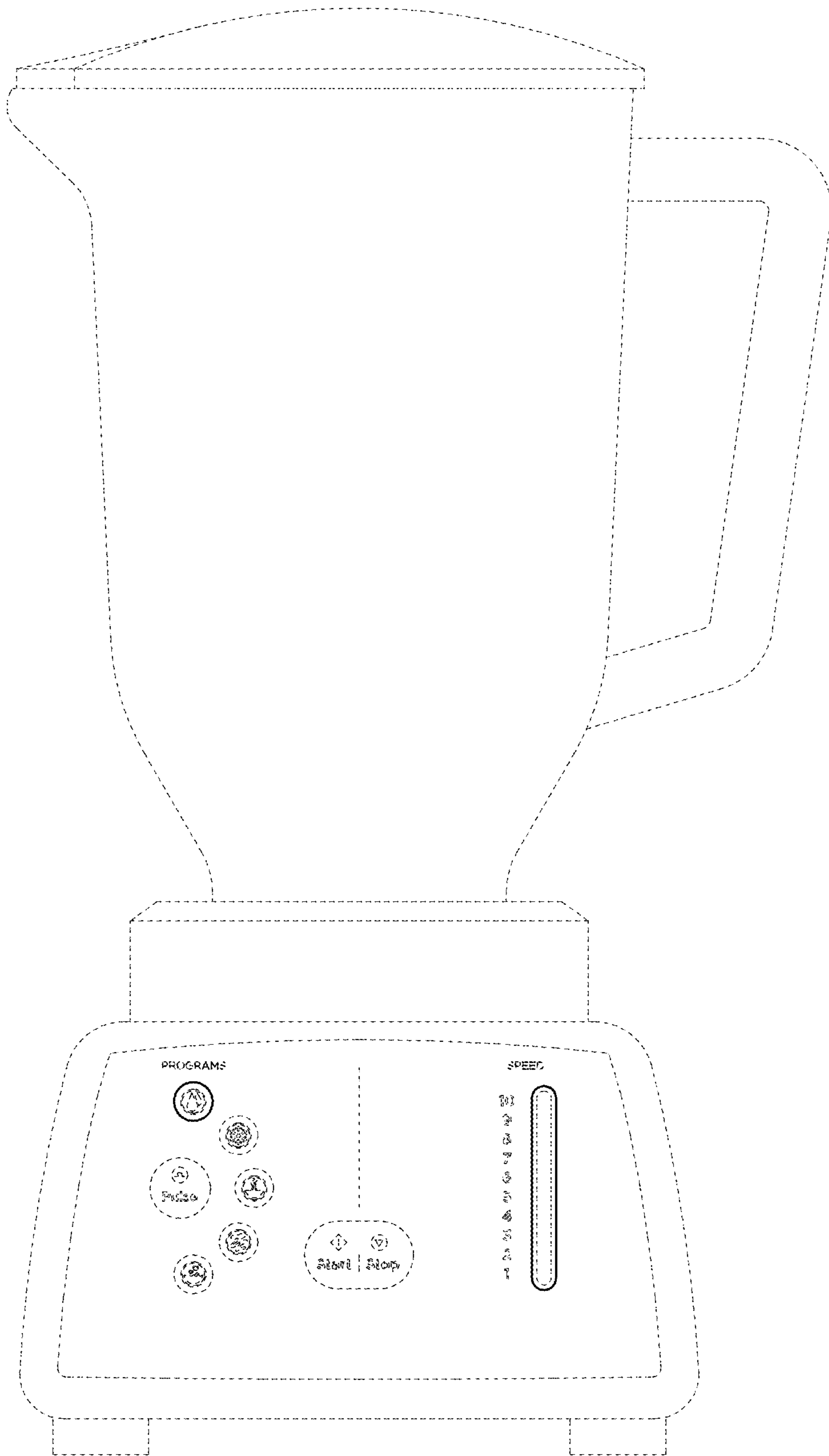


Fig. 1

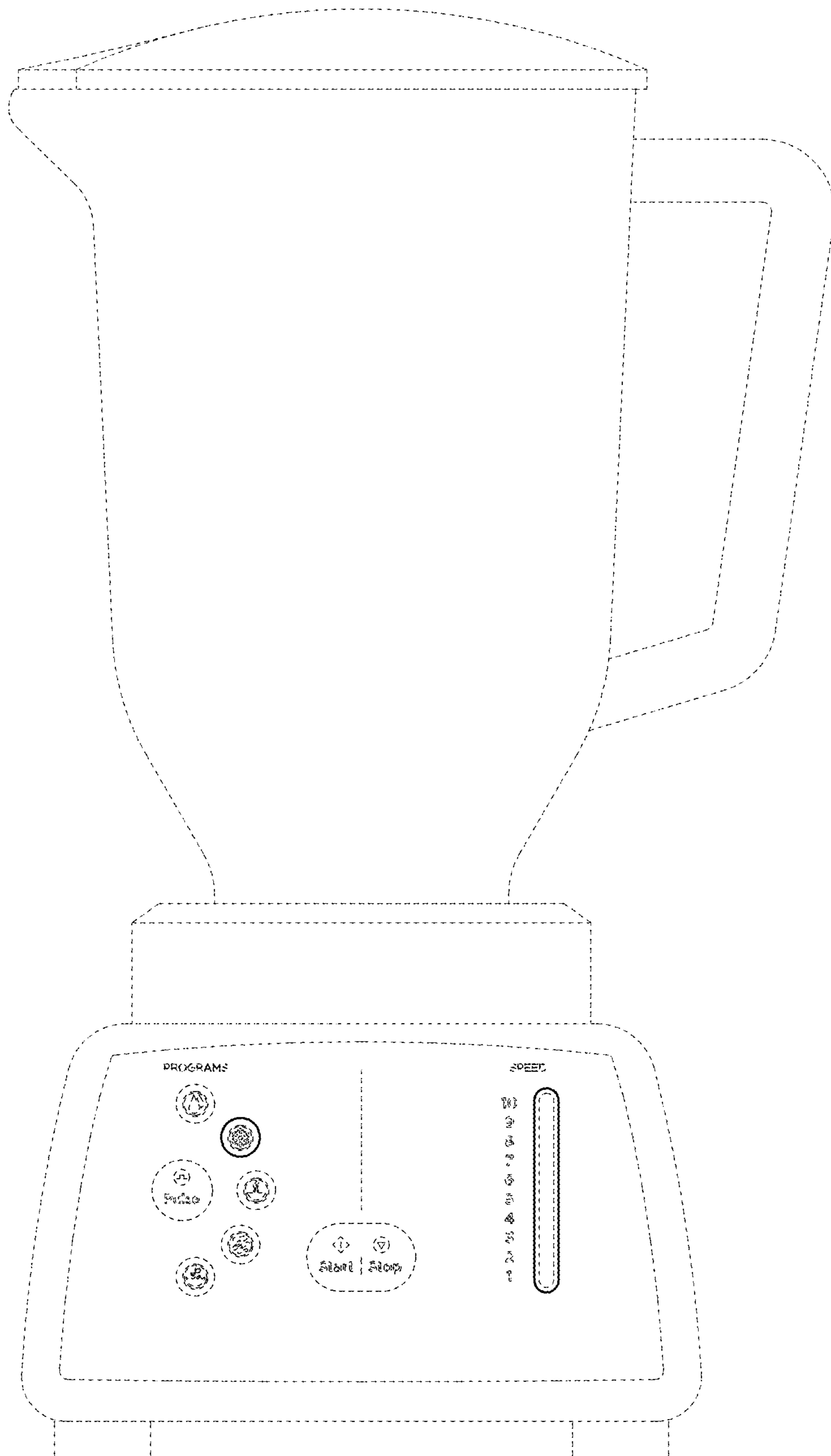


Fig. 2

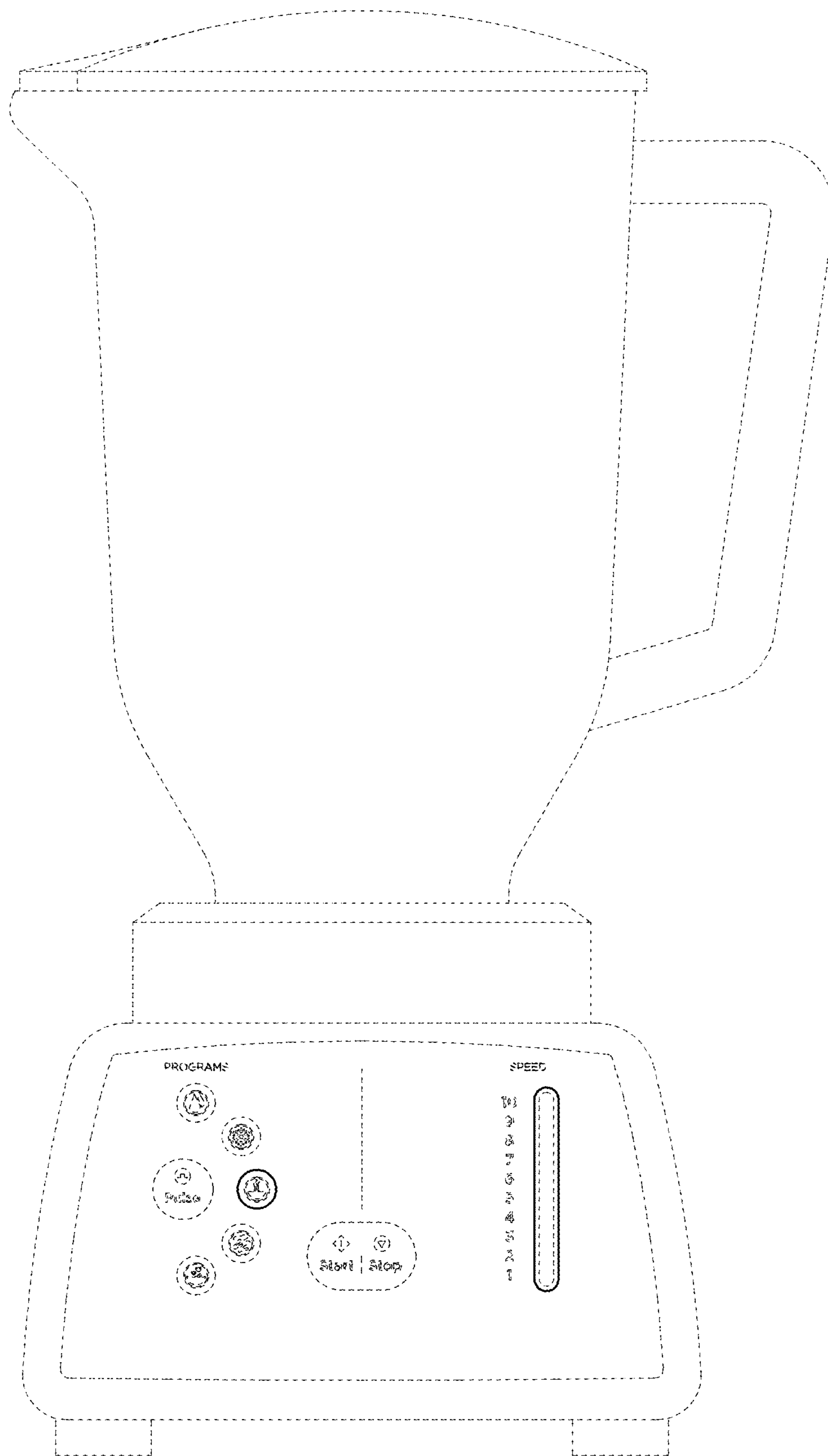


Fig. 3

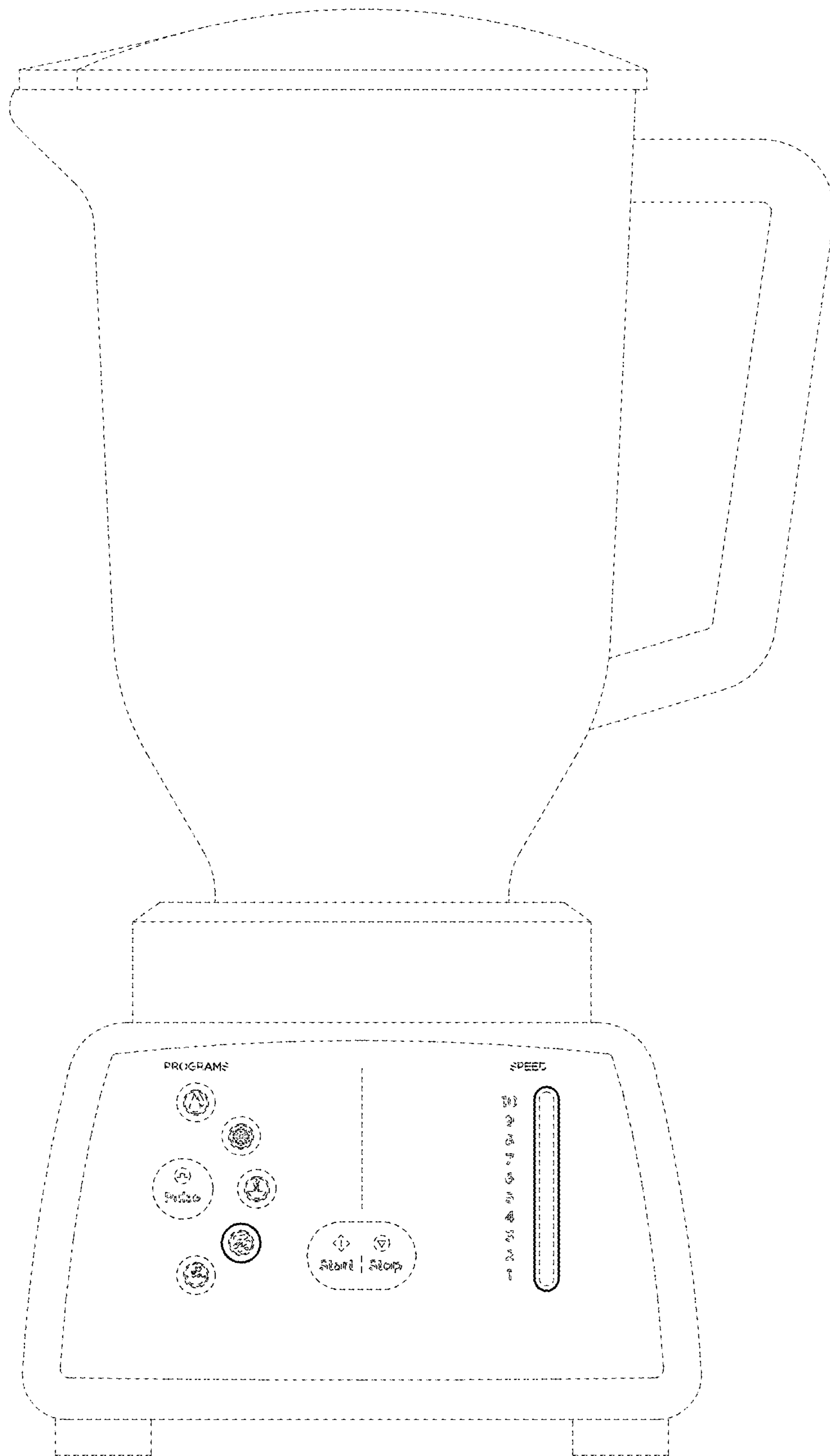


Fig. 4

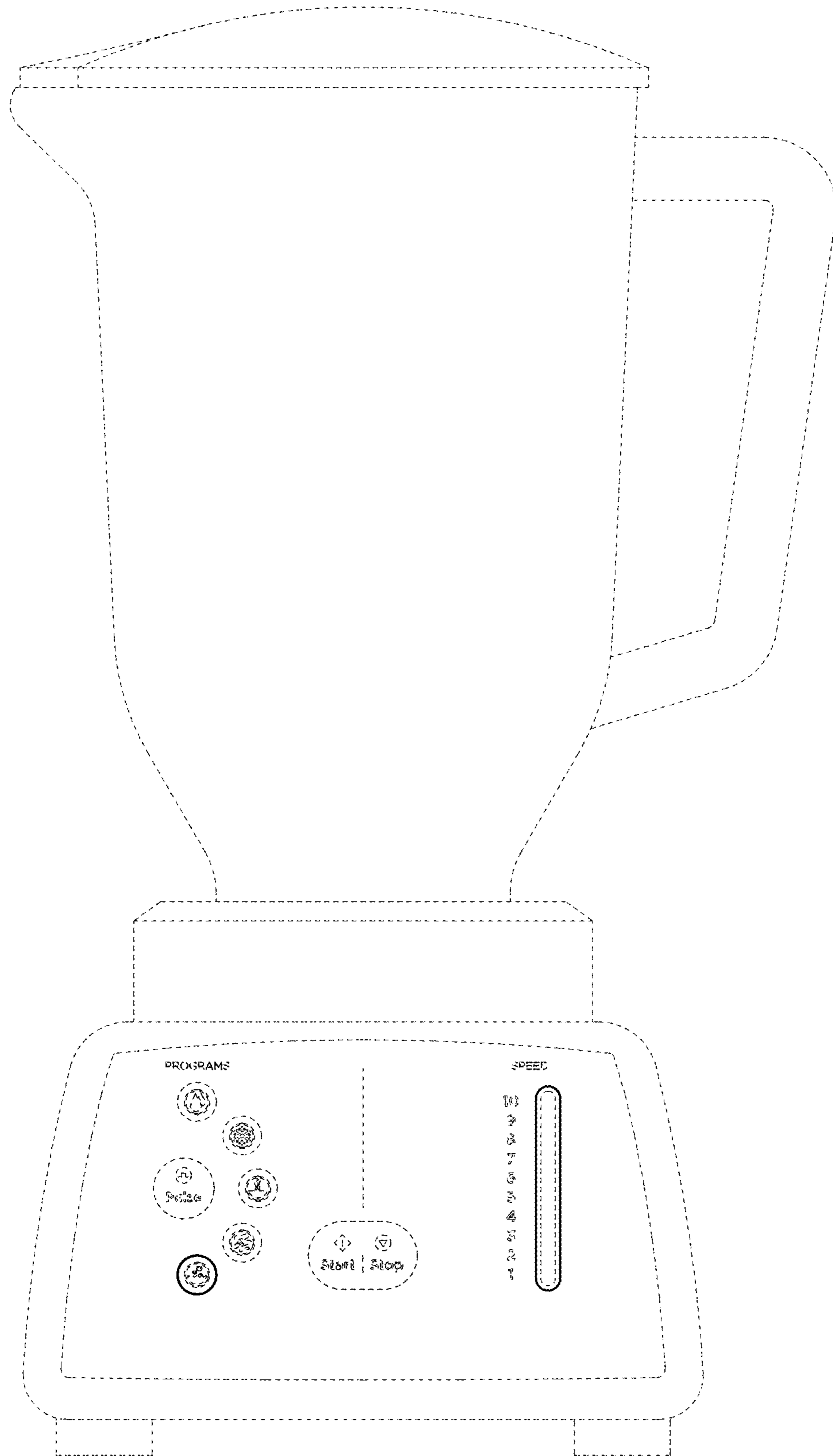


Fig. 5

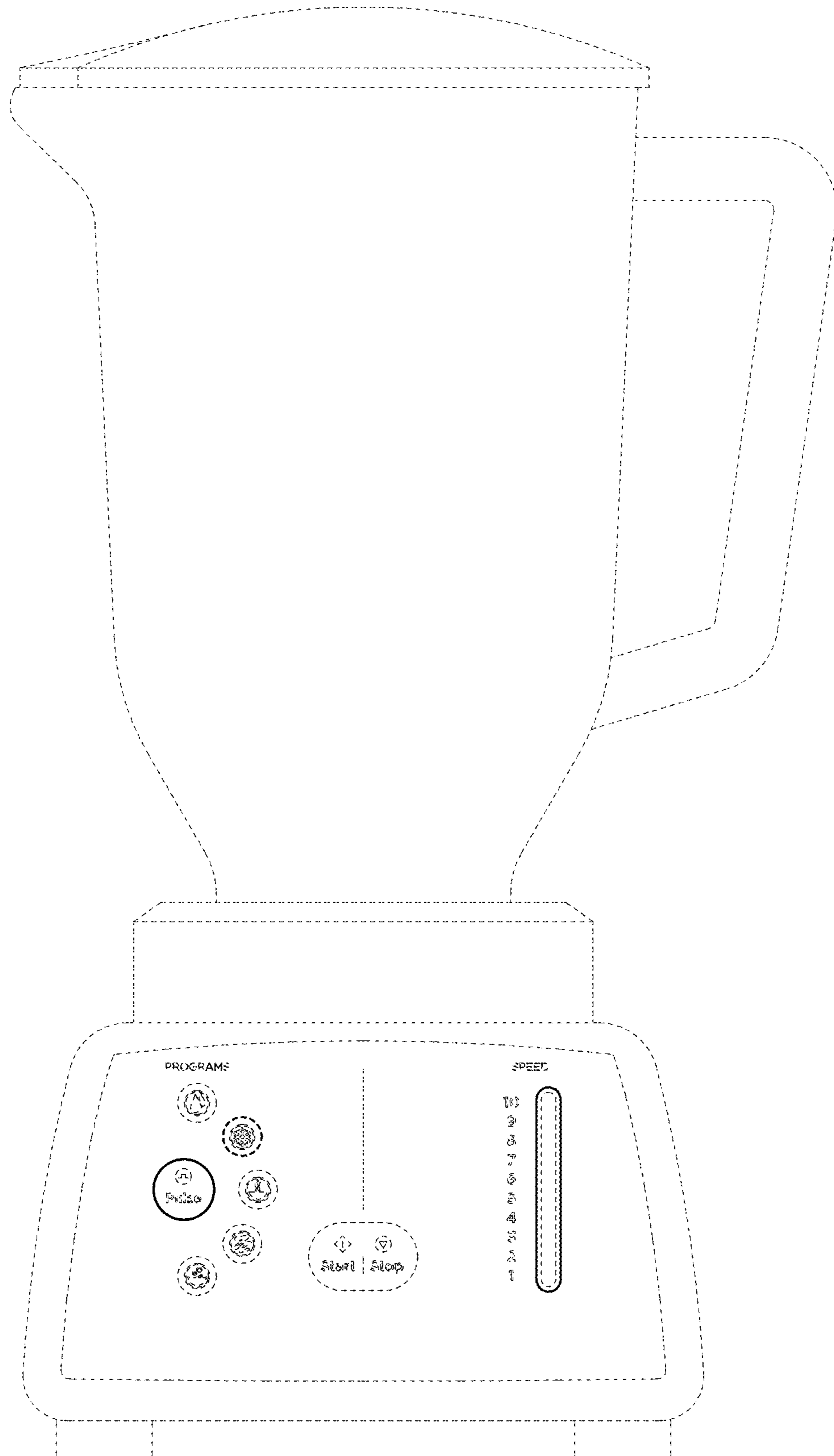


Fig. 6

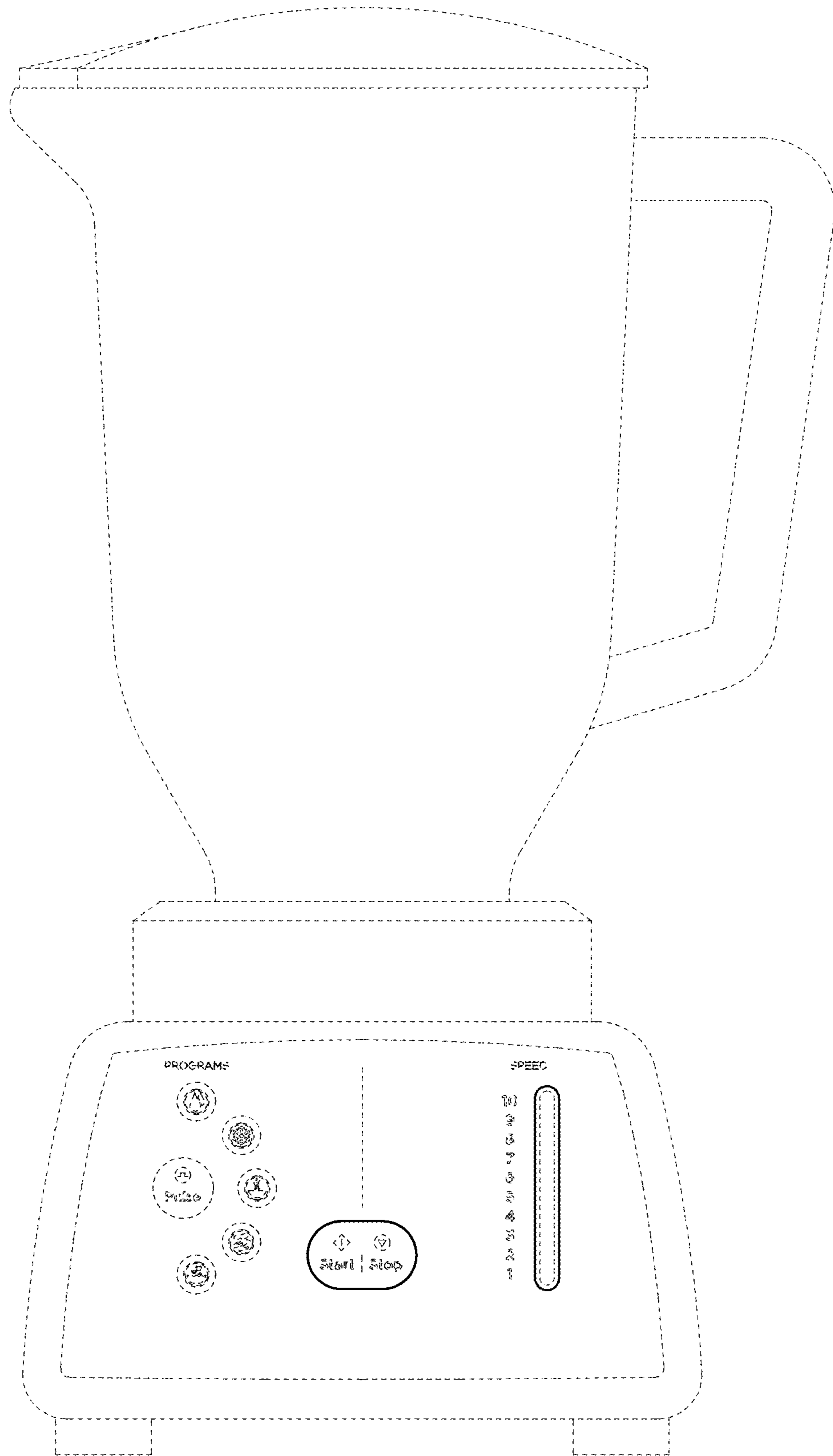


Fig. 7