

US00D768428S

(12) **United States Design Patent**
Lee

(10) **Patent No.:** **US D768,428 S**
(45) **Date of Patent:** **** Oct. 11, 2016**

(54) **COOKING PAN FOR USE IN HEATING COOKERS**

(71) Applicant: **Jin Hee Lee**, Seoul (KR)

(72) Inventor: **Jin Hee Lee**, Seoul (KR)

(**) Term: **14 Years**

(21) Appl. No.: **29/526,220**

(22) Filed: **May 7, 2015**

(30) **Foreign Application Priority Data**

Dec. 30, 2014 (KR) 30-2014-0064200

(51) **LOC (10) Cl.** **07-02**

(52) **U.S. Cl.**
USPC **D7/362**; D7/352; D7/409

(58) **Field of Classification Search**
USPC D7/323, 352-362, 543, 545, 549, 550.1, D7/553.1-553.8, 554.1-554.4, 555, 584, D7/586, 688; D9/430-433, 455-456, 737, D9/756-762; D19/92
CPC A21B 3/00; A21B 3/003; A21B 3/13; A21B 3/15; A21B 3/134; A21B 5/00; A21B 5/02; A47J 27/004; A47J 36/022; A47J 36/025; A47J 36/027; A47J 36/38; A47J 36/2483; A47J 37/00; A47J 37/04; A47J 37/067; A47J 37/0676; A47J 37/108; A47J 37/10; A47J 43/28; A47J 43/284; A47G 23/06; B65D 1/22; B65D 1/24; B65D 1/34; B65D 1/36; B65D 81/343; B65D 85/36
See application file for complete search history.

(56) **References Cited**

U.S. PATENT DOCUMENTS

344,193 A * 6/1886 Mitchell A47J 37/10 99/422
1,396,684 A * 11/1921 Hansen A21B 3/13 249/117
2,704,974 A * 3/1955 Steman A47G 23/06 206/518

D195,683 S * 7/1963 Quistgaard D7/554.1
3,231,718 A * 1/1966 Vasile A47J 36/2483 156/224
D224,751 S * 9/1972 Propst D7/554.3
D226,285 S * 2/1973 Bateman D7/554.3
D239,316 S * 3/1976 Smith D7/554.3
D316,116 S * 4/1991 Hawes, Jr. D19/86
D379,051 S * 5/1997 Jacquemin D7/352
D421,548 S * 3/2000 Cornelissen D7/545
D428,059 S * 7/2000 Saylor D19/86
6,363,842 B1 * 4/2002 Lin A47J 36/38 126/299 D
D458,078 S * 6/2002 Lin D7/362
D461,995 S * 8/2002 Massaloux D7/545
D473,418 S * 4/2003 Burton D7/354
D547,597 S * 7/2007 Levy D7/354
7,340,994 B2 * 3/2008 Bruno A47J 37/067 99/426
D612,663 S * 3/2010 Galperin D7/354

(Continued)

Primary Examiner — Ricky Pham

(74) *Attorney, Agent, or Firm* — Kile Park Reed & Houtteman PLLC

(57) **CLAIM**

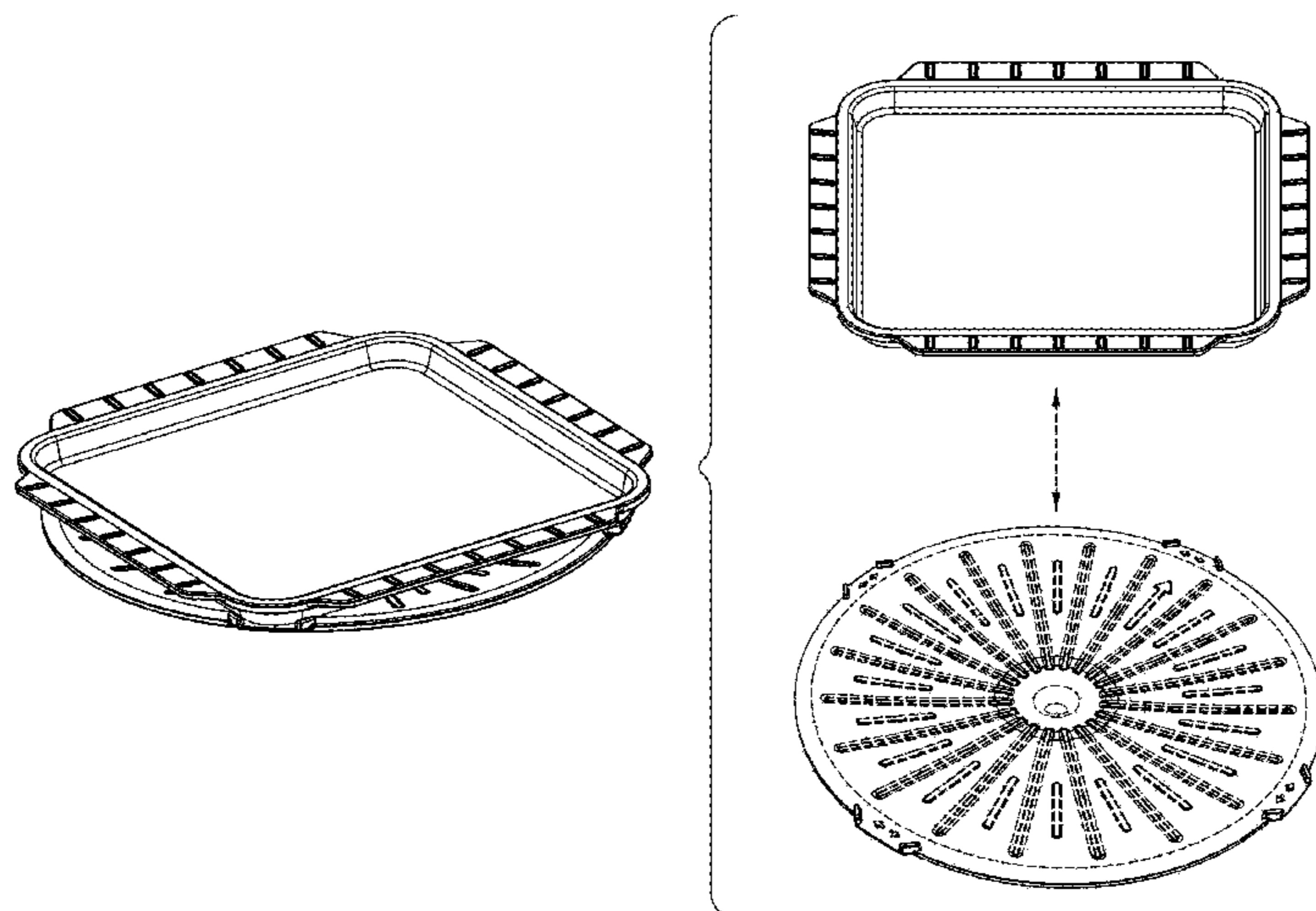
I claim, the ornamental design for a cooking pan for use in heating cookers, as shown and described.

DESCRIPTION

FIG. 1 is a top and front perspective view of a cooking pan for use in heating cookers, showing my new design;
FIG. 2 is a front view thereof;
FIG. 3 is a rear view thereof;
FIG. 4 is a left side view thereof;
FIG. 5 is a right side view thereof;
FIG. 6 is a top plan view thereof;
FIG. 7 is a bottom plan view thereof; and,
FIG. 8 is an exploded reference perspective view showing how two pans of the cooking pan for use in heating cookers are assembled with and disassembled from each other in the arrow direction.

The broken lines shown in the figures are for illustrative purposes only and form no part of the claimed design.

1 Claim, 8 Drawing Sheets



US D768,428 S

Page 2

(56)

References Cited

U.S. PATENT DOCUMENTS

D653,904 S * 2/2012 Lee D7/362
D684,808 S * 6/2013 Mehler D7/354
D688,086 S * 8/2013 Lee D7/362

D688,087 S * 8/2013 Lee D7/362
D688,088 S * 8/2013 Lee D7/362
D688,089 S * 8/2013 Lee D7/362
D688,090 S * 8/2013 Lee D7/362

* cited by examiner

FIG. 1

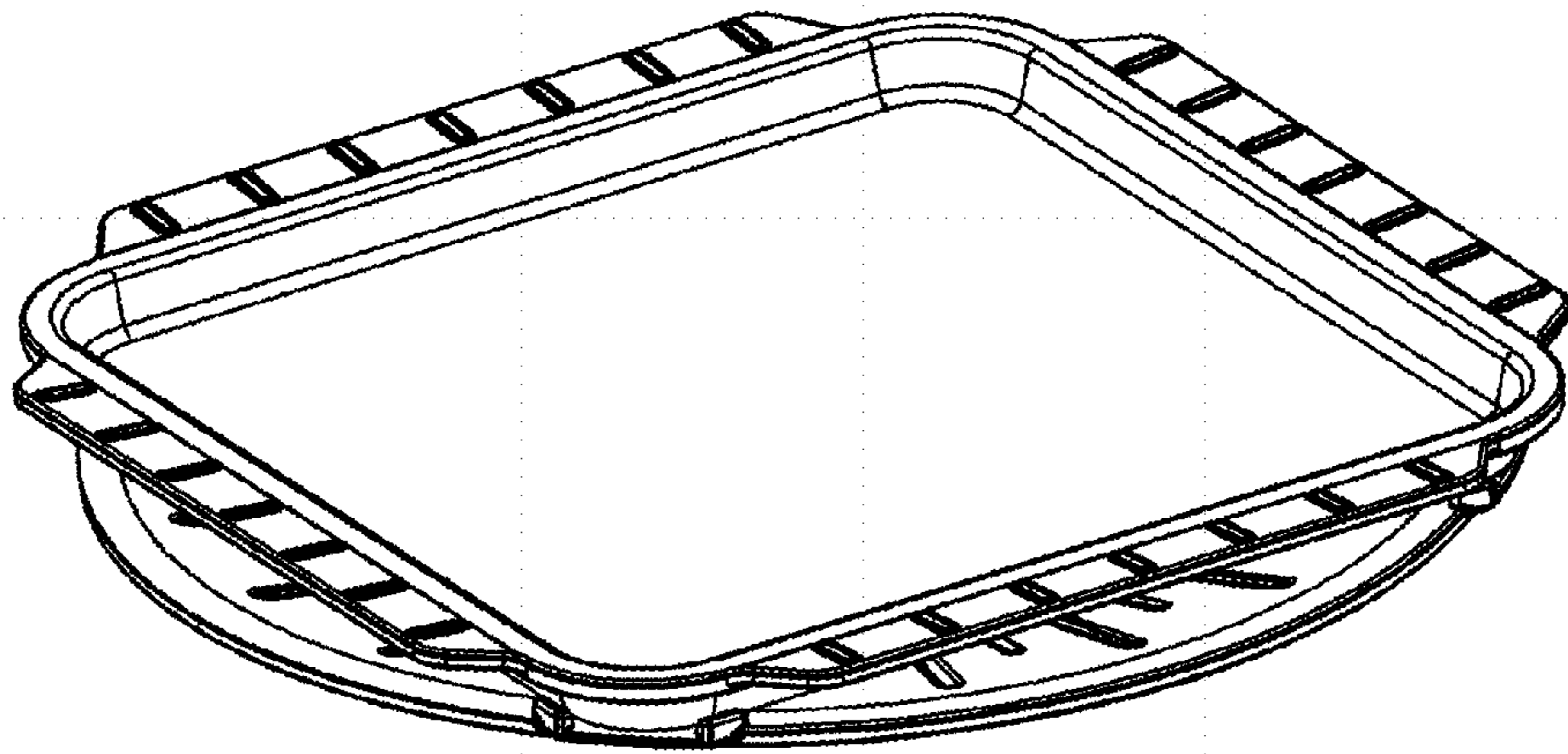


FIG. 2

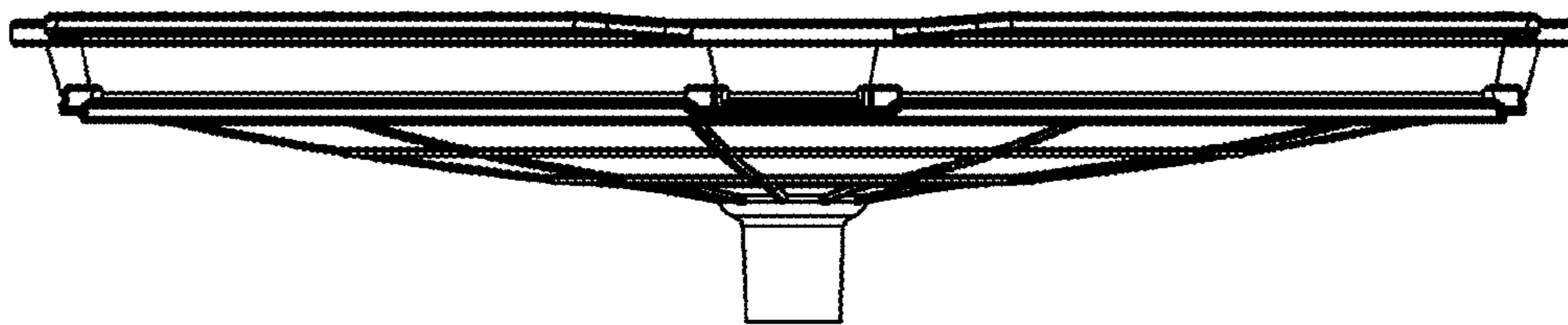


FIG. 3

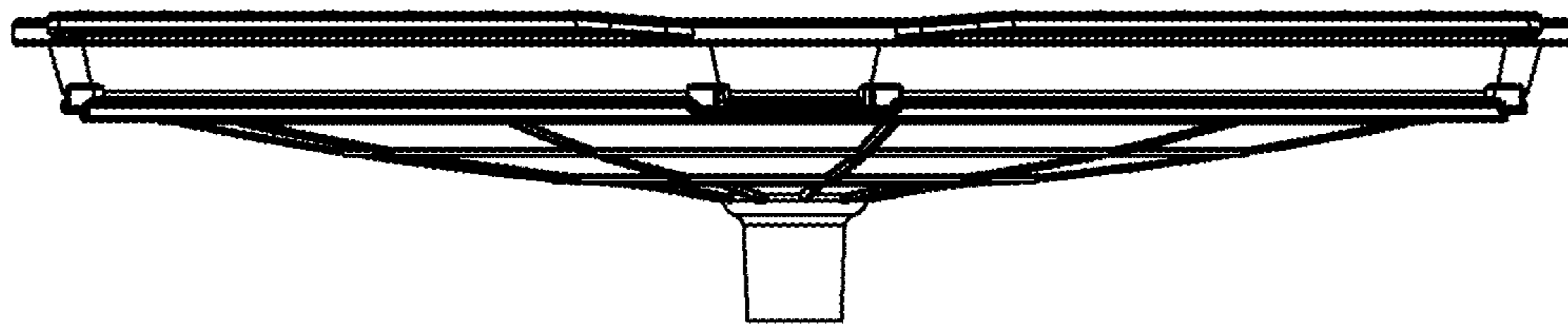


FIG. 4

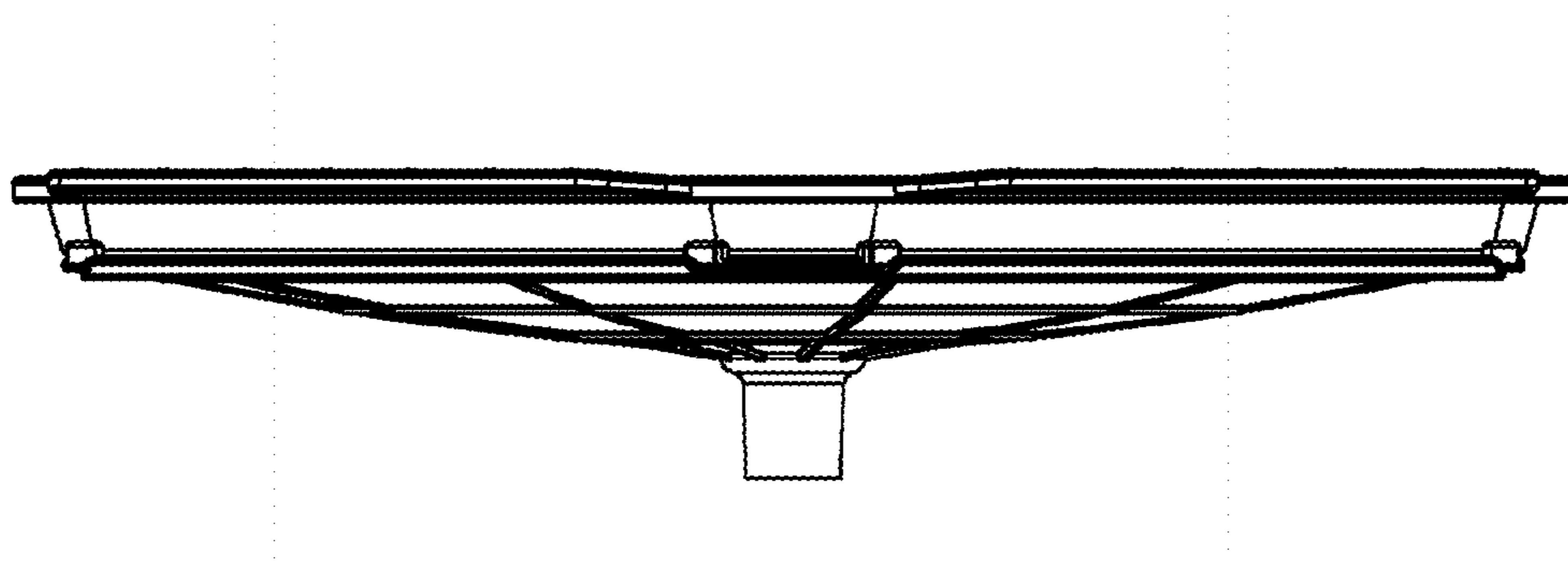


FIG. 5

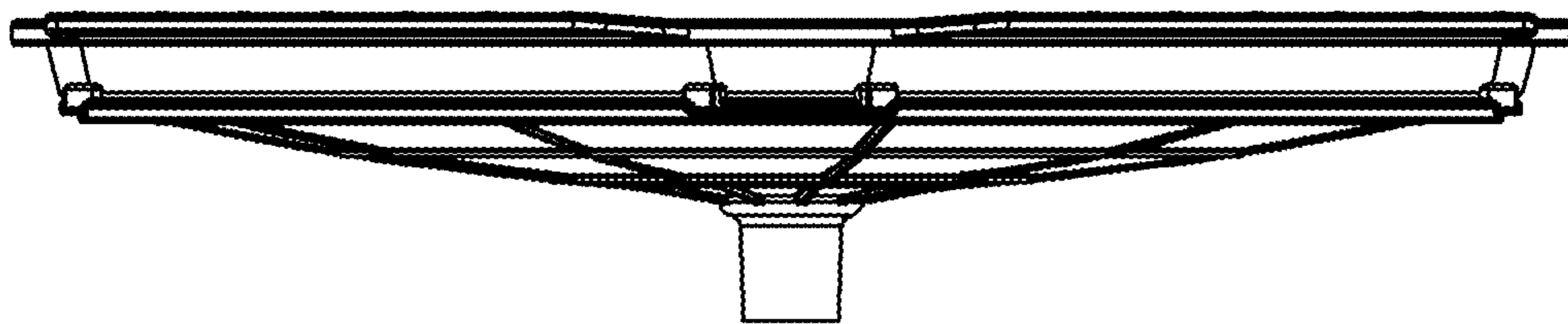


FIG. 6

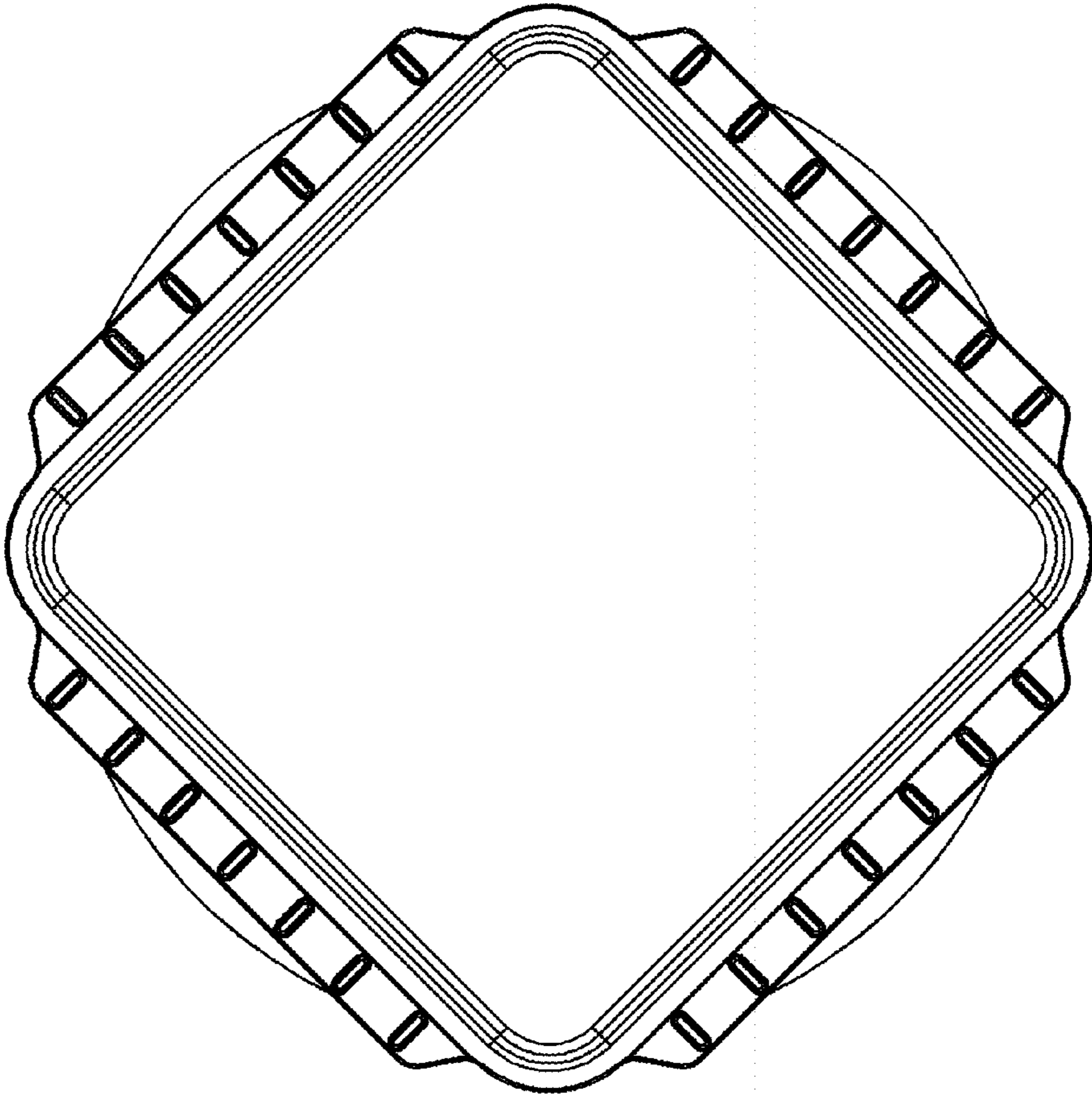


FIG. 7

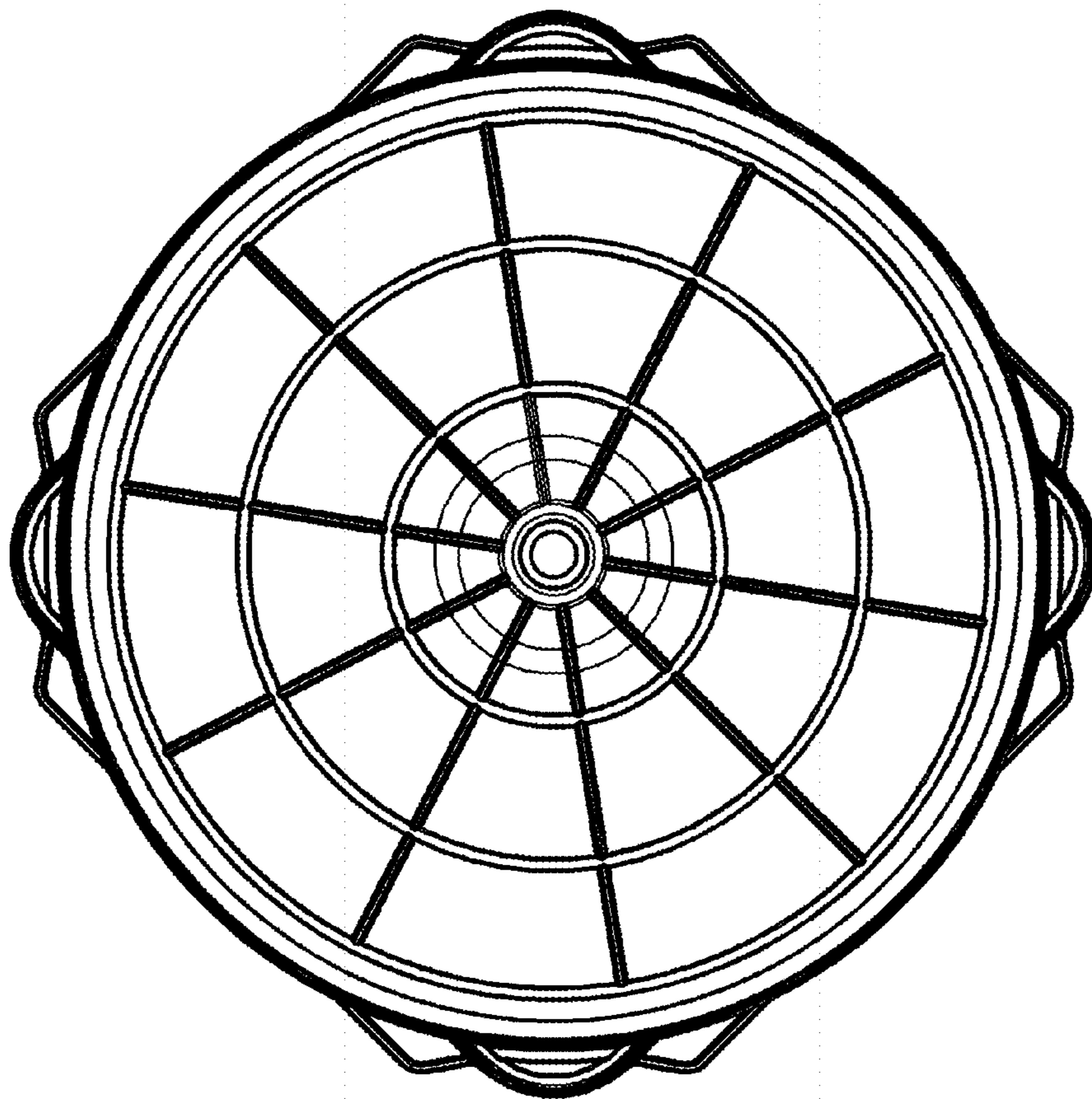


FIG. 8

