



US00D768427S

(12) **United States Design Patent**
Berge

(10) **Patent No.:** **US D768,427 S**

(45) **Date of Patent:** **** Oct. 11, 2016**

(54) **WAFFLE BOWL MAKER**

- (71) Applicant: **National Presto Industries, Inc.**, Eau Claire, WI (US)
- (72) Inventor: **Michael R. Berge**, Eau Claire, WI (US)
- (73) Assignee: **National Presto Industries, Inc.**, Eau Claire, WI (US)
- (**) Term: **14 Years**

- (21) Appl. No.: **29/514,828**
- (22) Filed: **Jan. 16, 2015**
- (51) **LOC (10) Cl.** **07-02**
- (52) **U.S. Cl.**
USPC **D7/354; D7/410**
- (58) **Field of Classification Search**
USPC D1/122; D7/323, 328-330, 337, 347, D7/352-364, 367, 402, 409-411
CPC A21B 5/023; A47J 27/60; A47J 27/62; A47J 37/04; A47J 37/06; A47J 37/067; A47J 37/0605; A47J 37/0611; A47J 37/0623; A47J 37/0629; A47J 37/0676; A47J 2037/06; A47J 2037/0611; F24C 15/10; F24C 15/102; H05B 6/02; H05B 6/062
See application file for complete search history.

(56) **References Cited**

U.S. PATENT DOCUMENTS

2,116,688	A	5/1938	Ratliff	
2,476,213	A *	7/1949	O'Connor A47J 37/0611 99/340
3,999,473	A	12/1976	Carbon	
4,075,940	A	2/1978	Carbon	
5,636,564	A	6/1997	Weiss	
5,937,742	A	8/1999	Steeb et al.	
6,167,796	B1	1/2001	Wright et al.	
D452,412	S *	12/2001	Jeong D7/354
6,397,730	B1	6/2002	Steinbach et al.	
6,595,114	B1	7/2003	Endres et al.	

(Continued)

OTHER PUBLICATIONS

Presto® FlipSide™ Belgian Waffle Maker Product Sheet published 2011, 1 page.
(Continued)

Primary Examiner — Ricky Pham
(74) *Attorney, Agent, or Firm* — Patterson Thuent Pedersen, P.A.

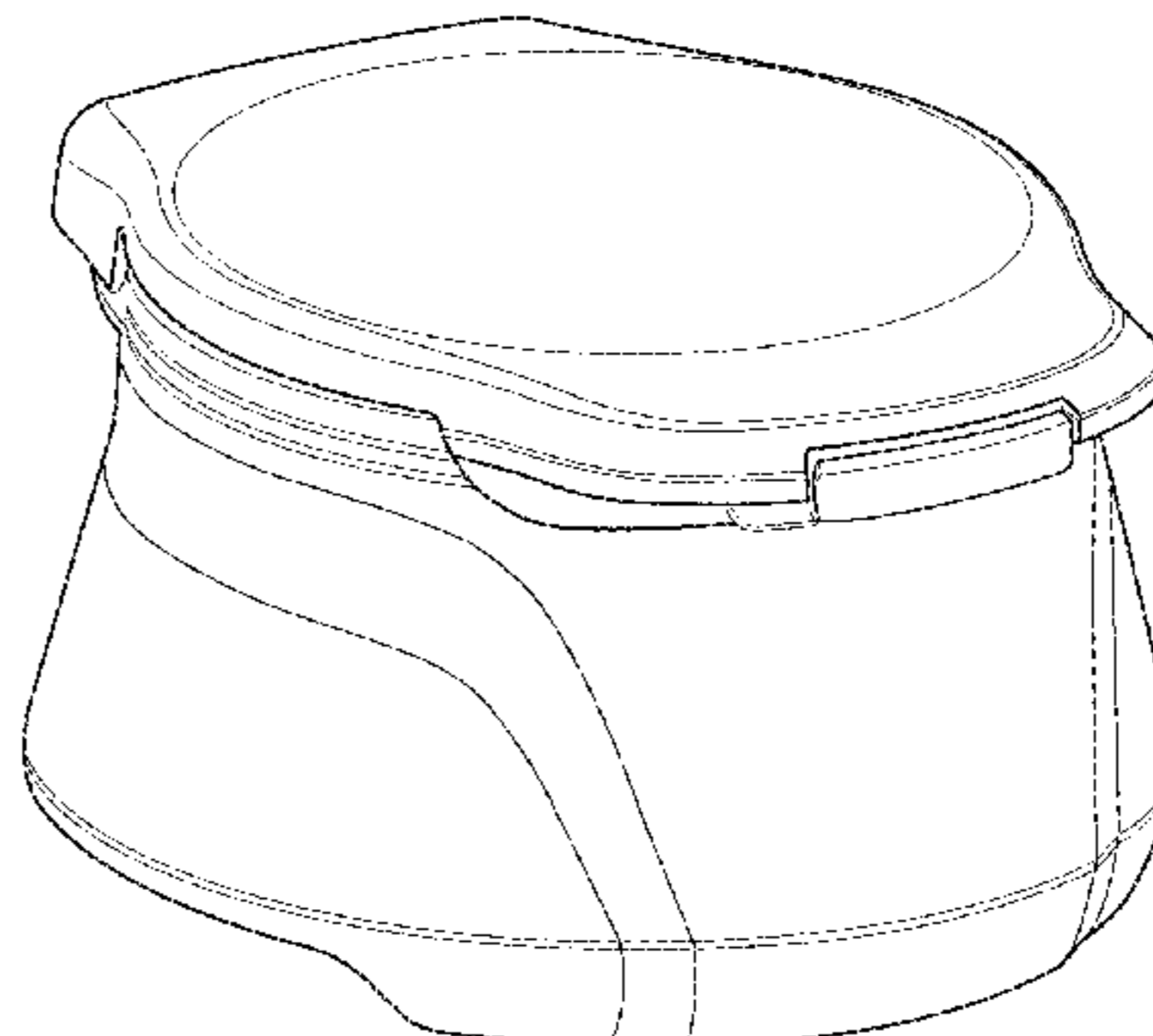
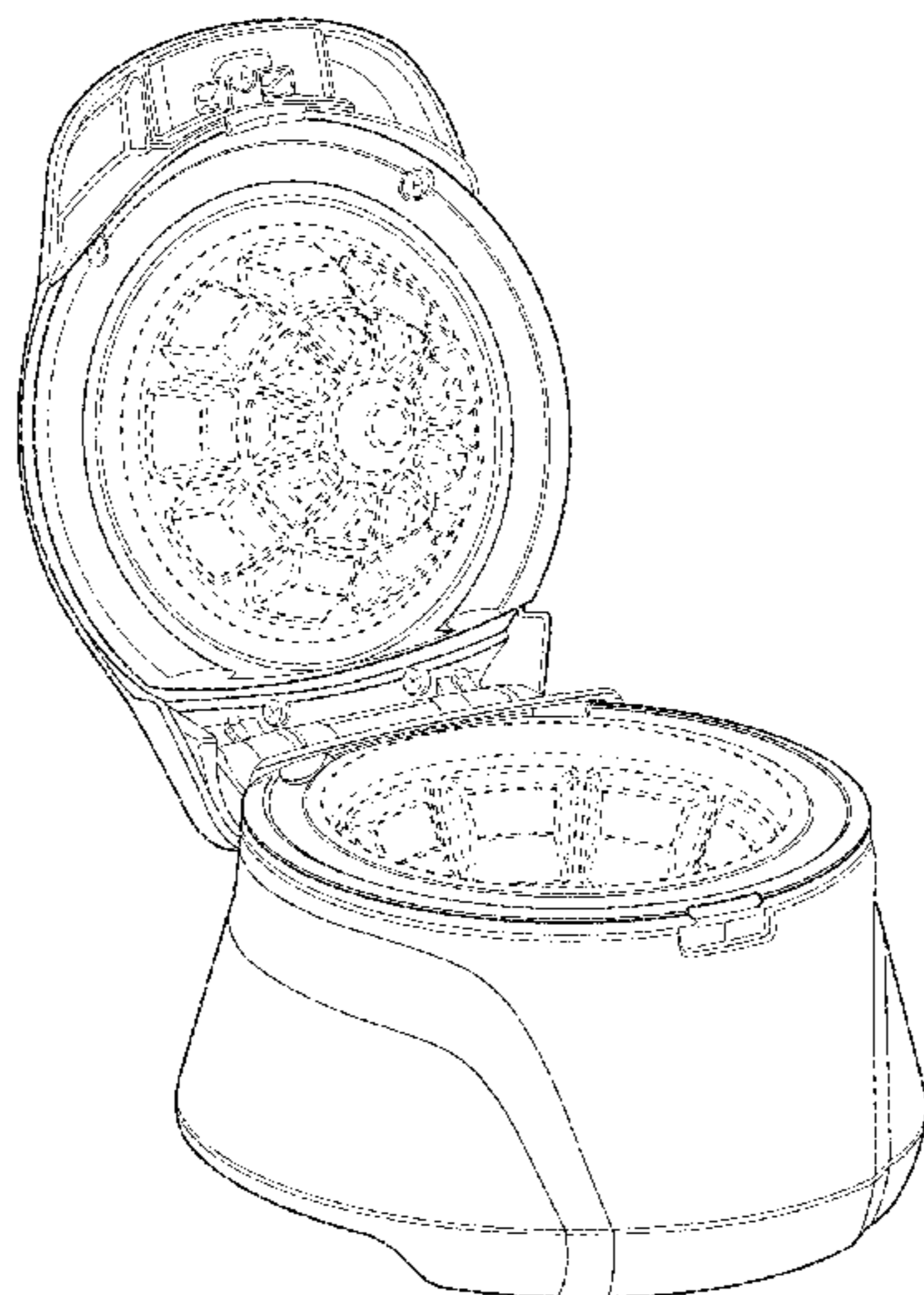
(57) **CLAIM**

I claim the ornamental design for waffle bowl maker, as shown and described.

DESCRIPTION

FIG. 1 is a front view of a waffle bowl maker according to an alternative embodiment of the invention.
 FIG. 2 is a left side view of the waffle bowl maker depicted in FIG. 1.
 FIG. 3 is a rear view of the waffle bowl maker depicted in FIG. 1.
 FIG. 4 is a right side view of the waffle bowl maker depicted in FIG. 1.
 FIG. 5 is a top view of the waffle bowl maker depicted in FIG. 1.
 FIG. 6 is a bottom view of the waffle bowl maker depicted in FIG. 1.
 FIG. 7 is a front of the waffle bowl maker depicted in FIG. 1 in an open disposition.
 FIG. 8 is a left side view of the waffle bowl maker depicted in FIG. 1 in an open disposition.
 FIG. 9 is a top view of the waffle bowl maker depicted in FIG. 1 in an open disposition.
 FIG. 10 is a right side, perspective view of the waffle bowl maker depicted in FIG. 1 in an open disposition; and,
 FIG. 11 is a right side, perspective view of the waffle bowl maker depicted in FIG. 1.
 Items shown in broken lines are for illustrative purposes only and form no part of the claimed invention.

1 Claim, 11 Drawing Sheets



(56)

References Cited

U.S. PATENT DOCUMENTS

D488,342 S 4/2004 Endres et al.
D488,667 S 4/2004 Seum et al.
D504,276 S 4/2005 Vial
D505,293 S * 5/2005 Jung D7/354
D509,989 S * 9/2005 Steinberg D7/352
7,021,199 B2 4/2006 Lubowicki et al.
D522,803 S 6/2006 Lam
D523,284 S 6/2006 Lam
D587,061 S 2/2009 Lavy
7,514,655 B2 4/2009 Fernandez et al.
D600,065 S 9/2009 Tienor et al.
D604,092 S * 11/2009 Kotani D7/354
D641,586 S * 7/2011 Martin D7/354

D658,346 S * 5/2012 Proudhon D1/122
D715,088 S * 10/2014 Kim D7/354
D715,093 S * 10/2014 Ren D7/352
D734,089 S * 7/2015 Garman D7/352
2007/0186785 A1 8/2007 Cohen et al.
2008/0257169 A1 10/2008 Tienor et al.

OTHER PUBLICATIONS

A Kitchen Appliance That Can Make Waffle and Cookie Bowls Exist . . . Really printout, <http://www.coolthings.com/waffle-bowl-maker/>, Dec. 15, 2014, 1 page.
Waffle Bowl Maker printout, <http://www.kalorik.com/site/wm-40423-4.html>, printed Jan. 8, 2015, 1 page.

* cited by examiner

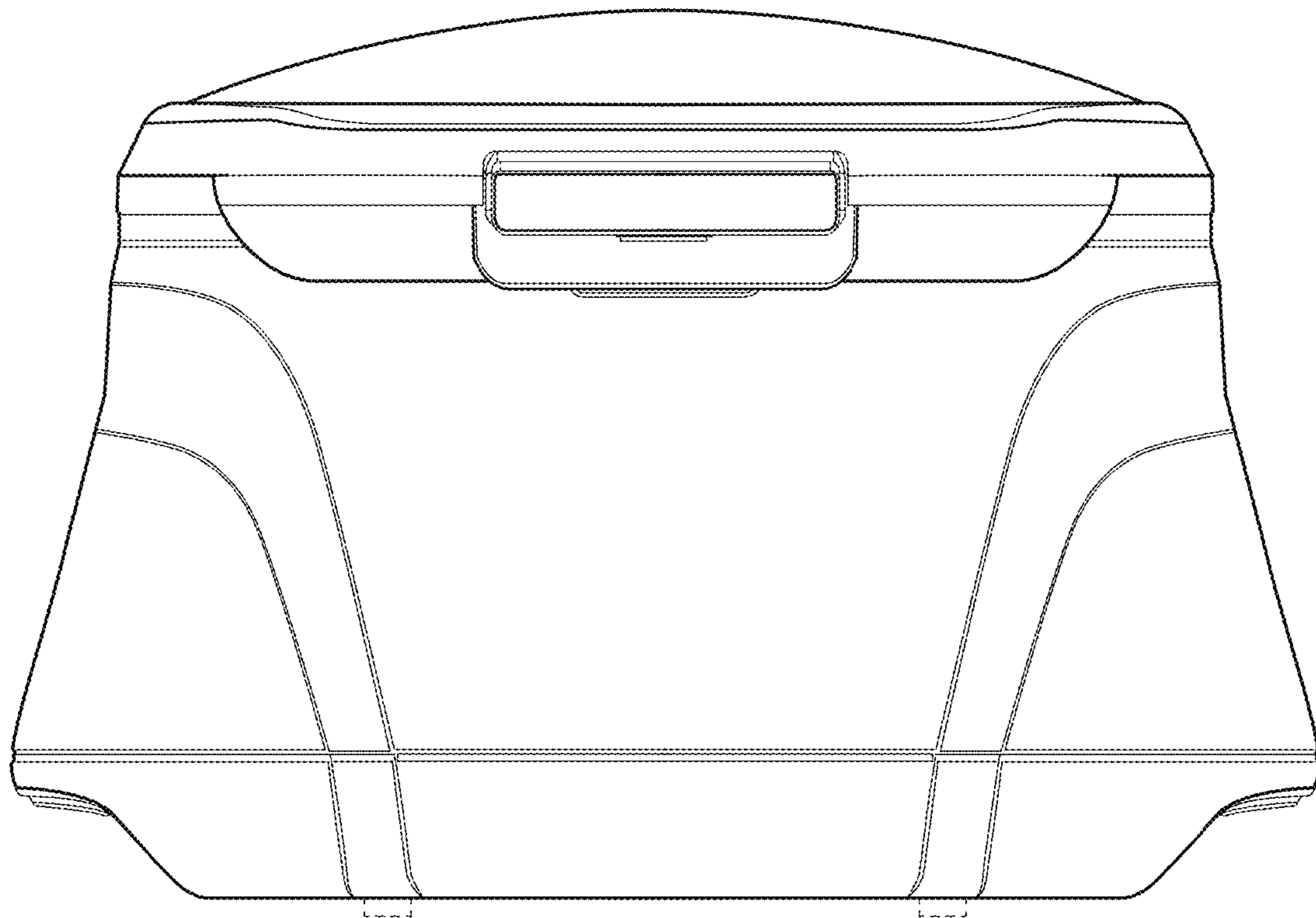


Fig. 1

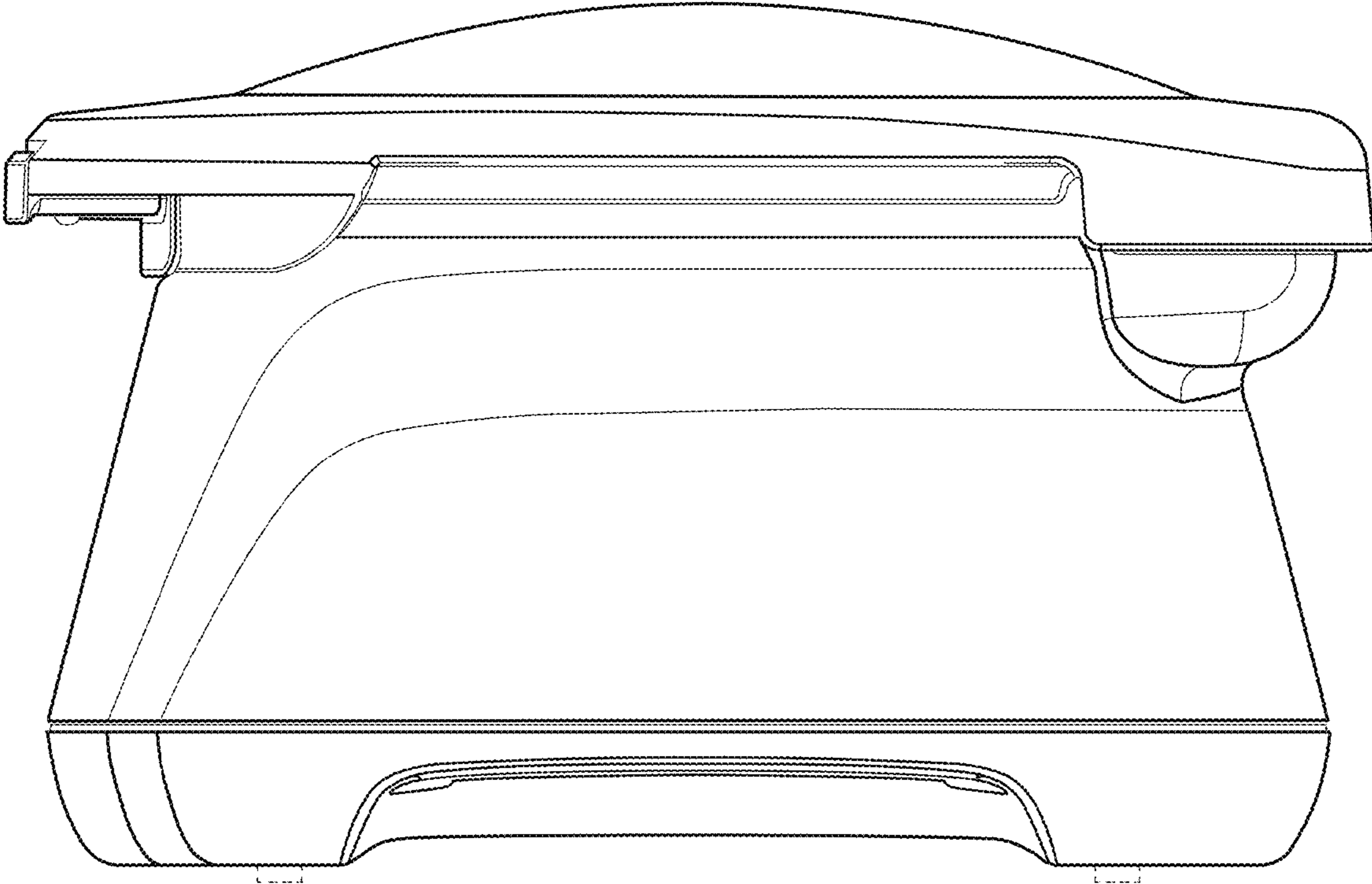


Fig. 2

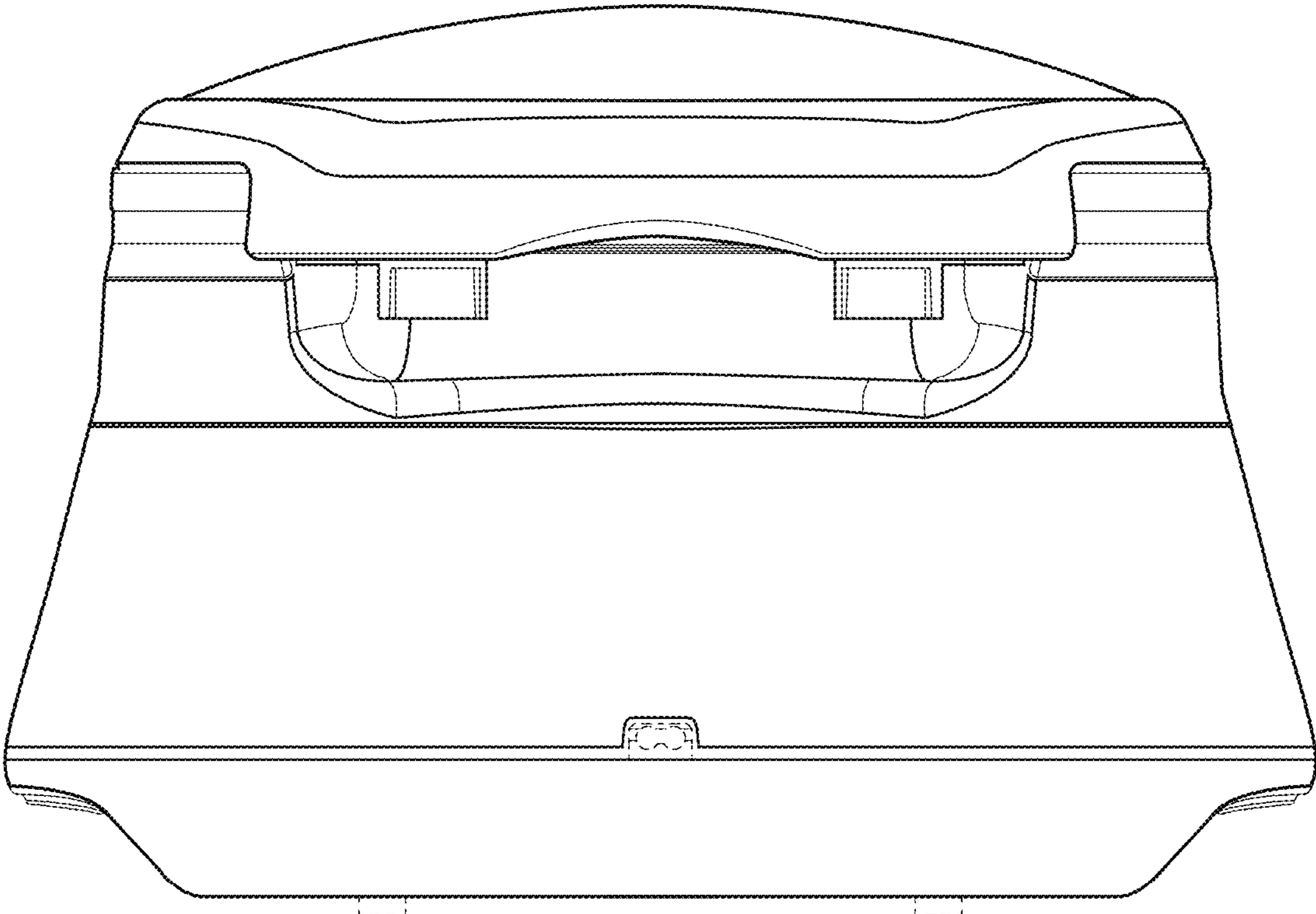


Fig. 3

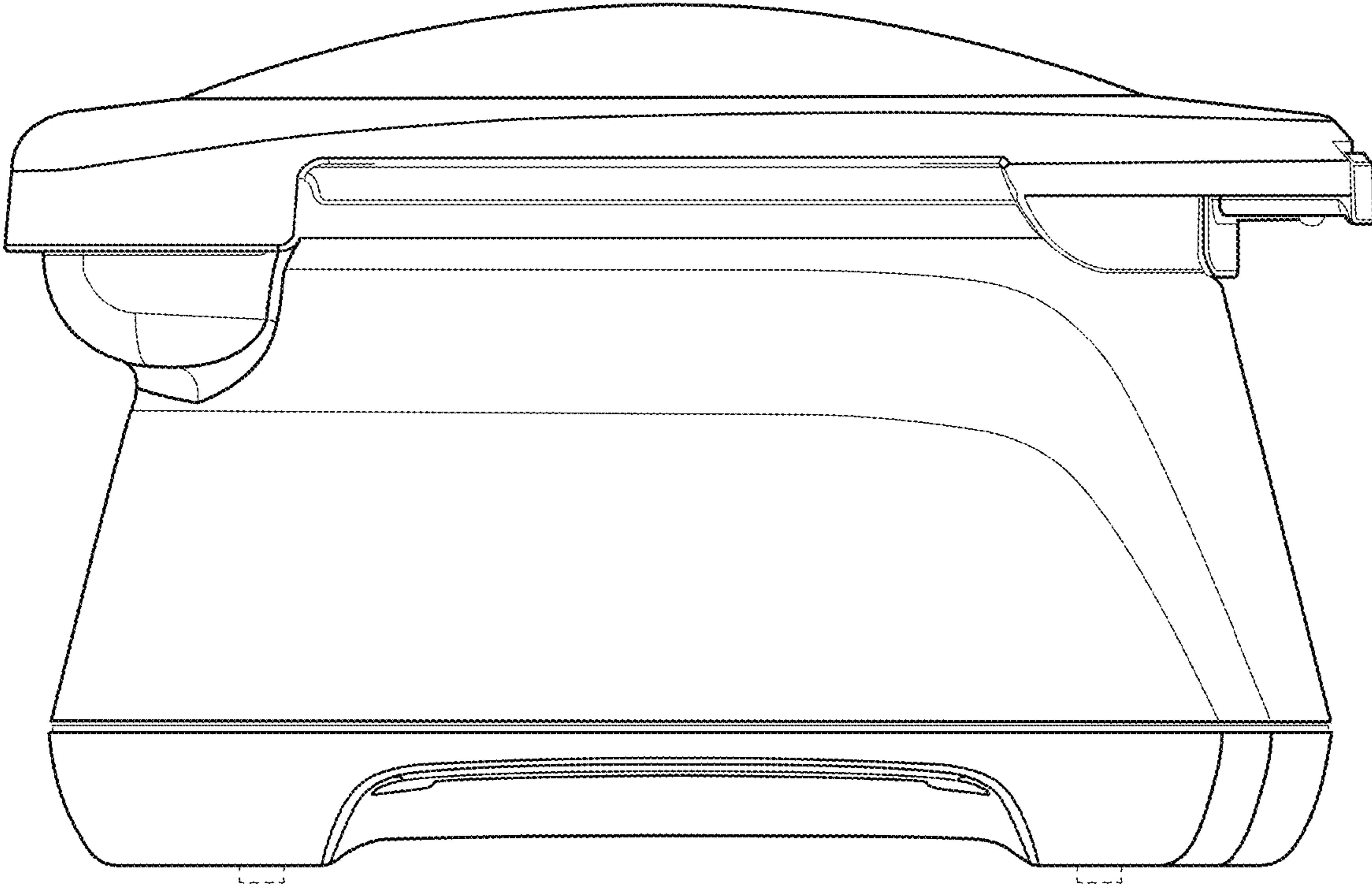


Fig. 4

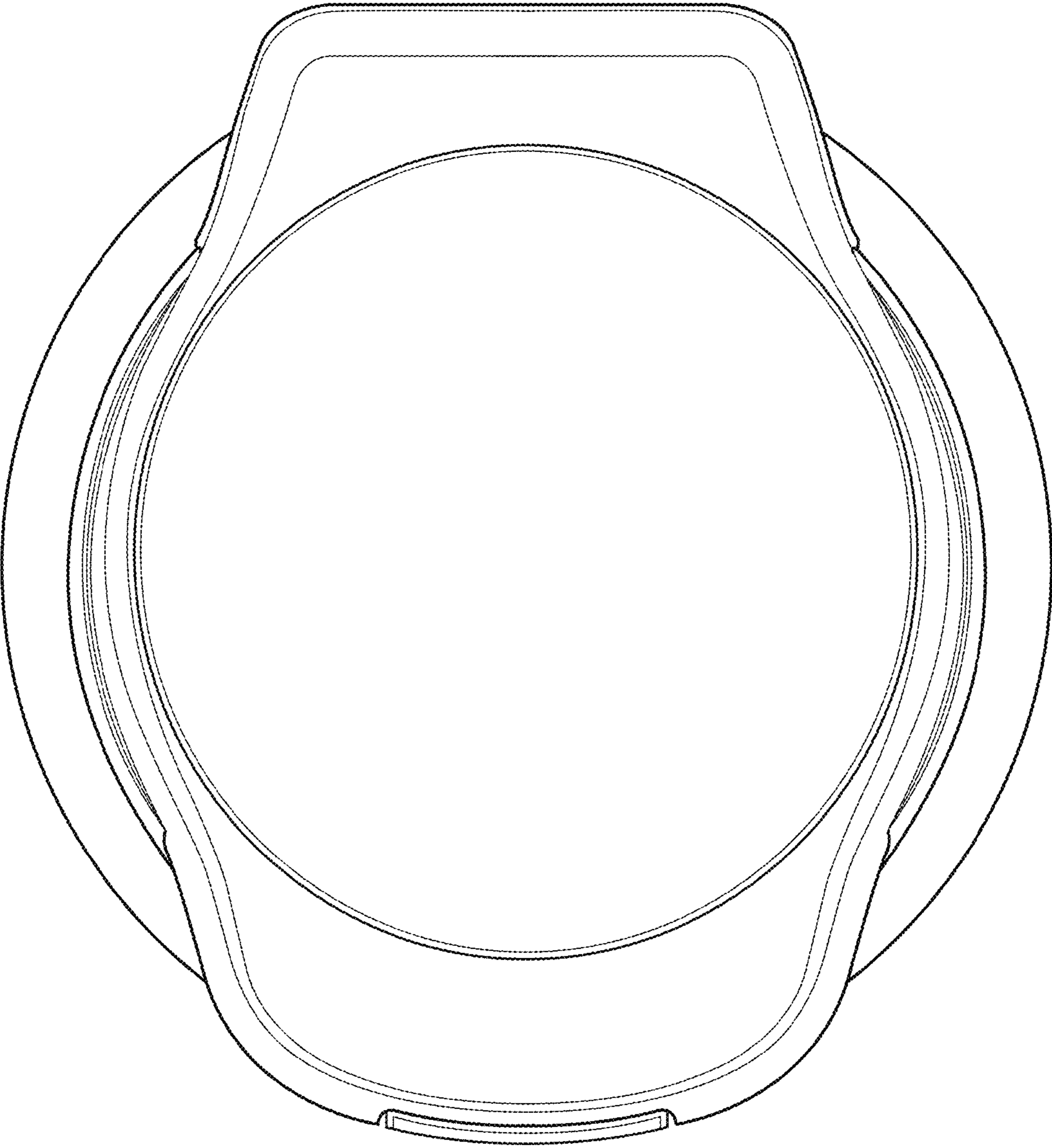


Fig. 5

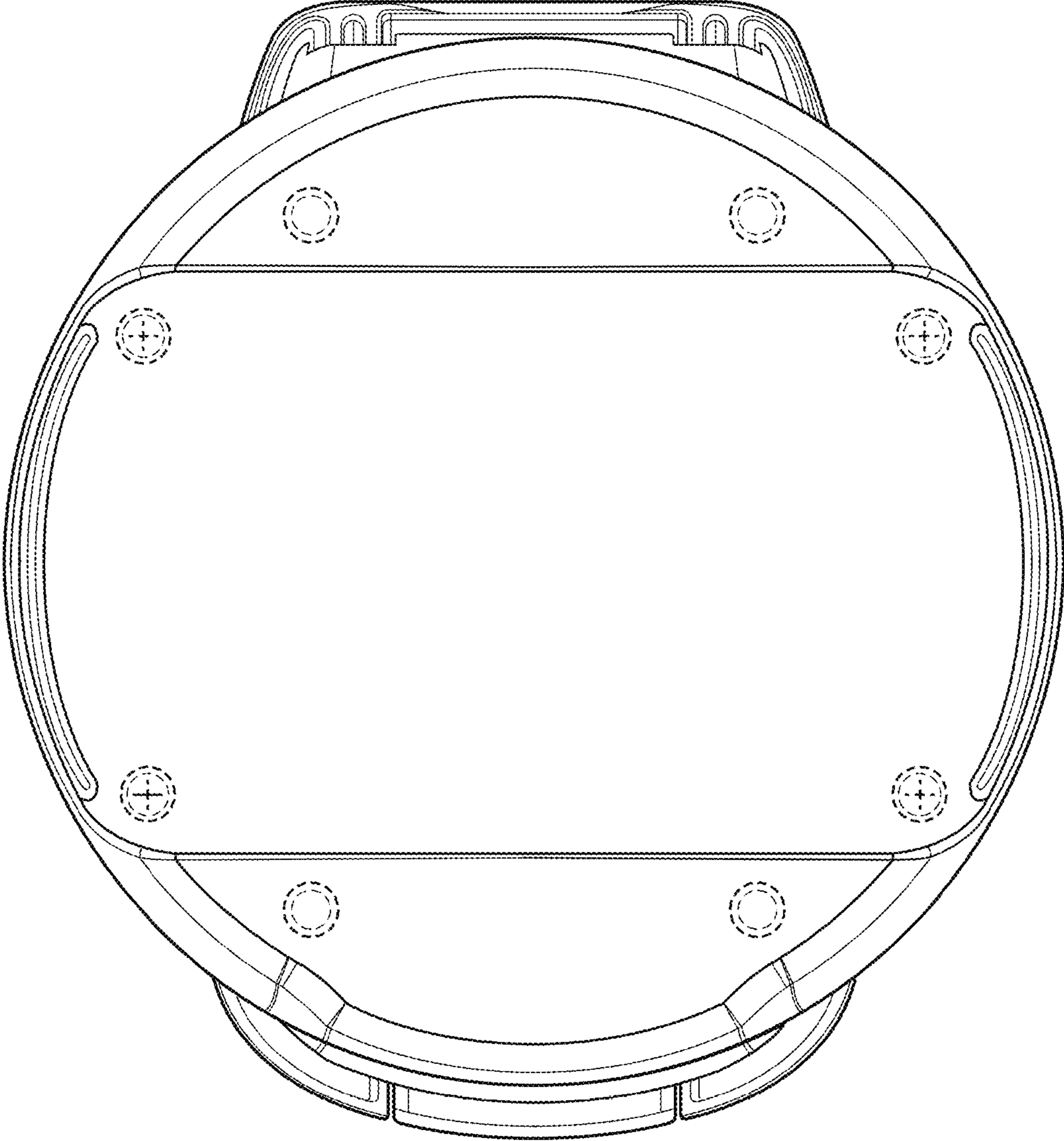


Fig. 6

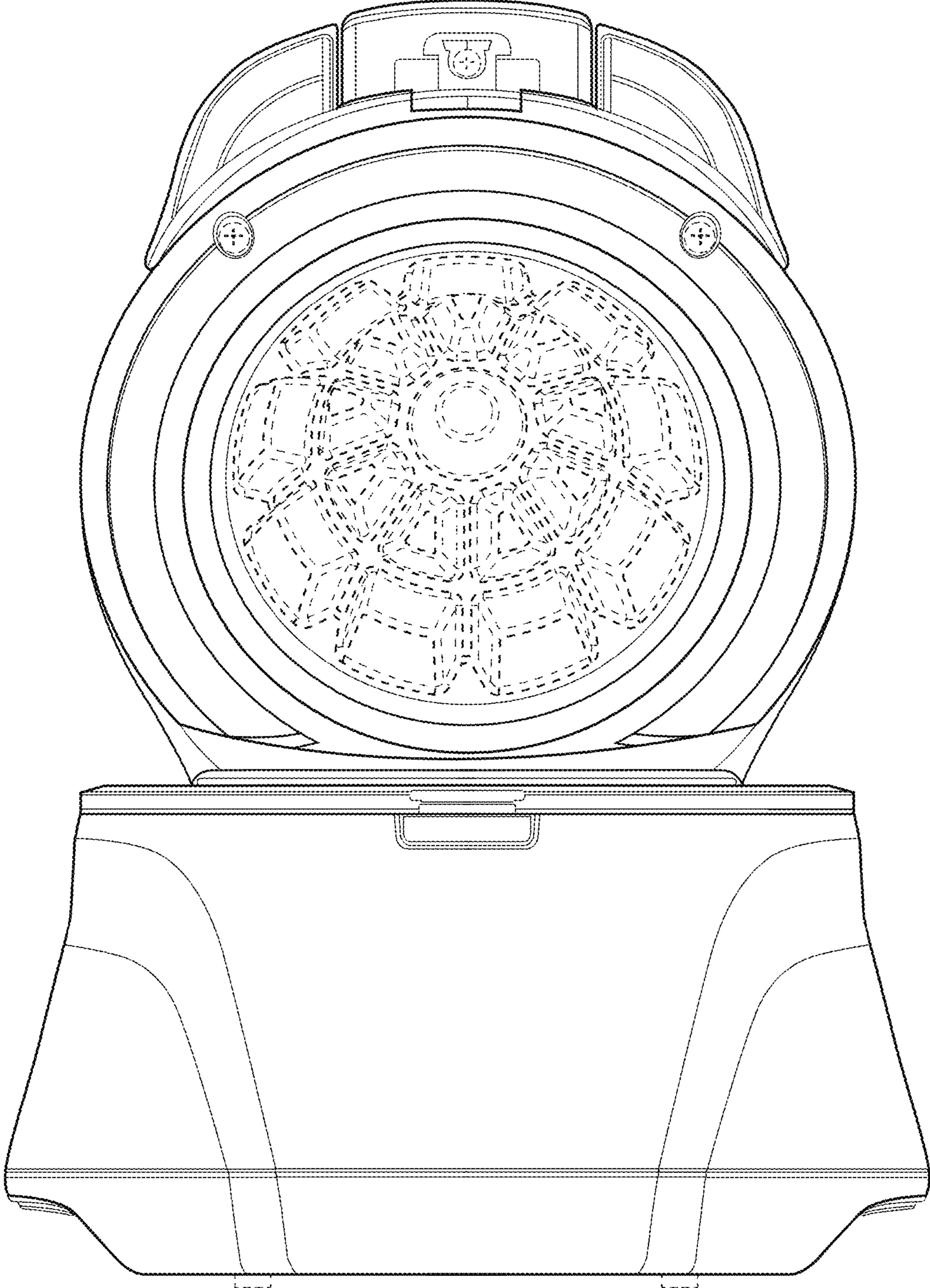


Fig. 7

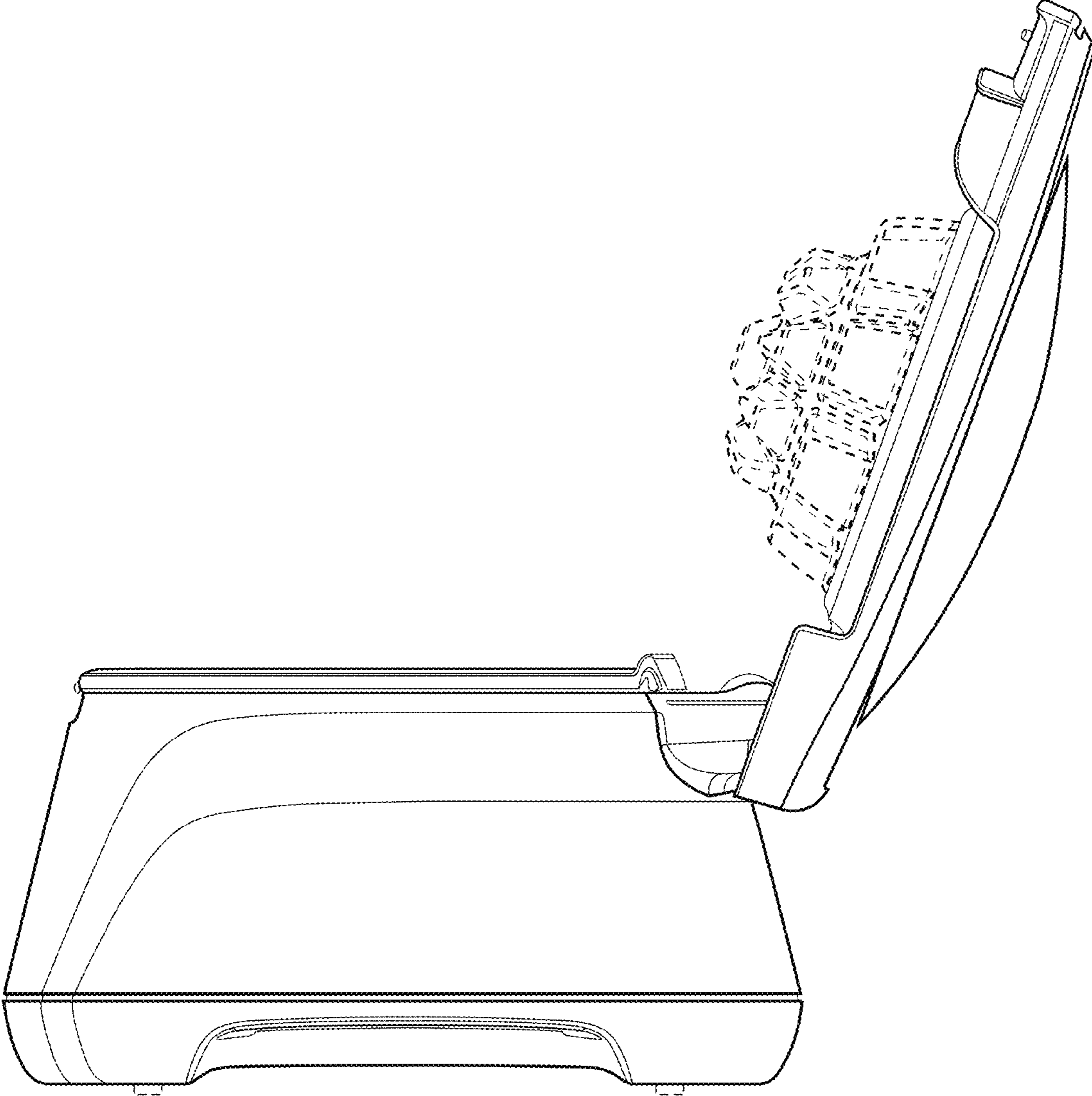


Fig. 8

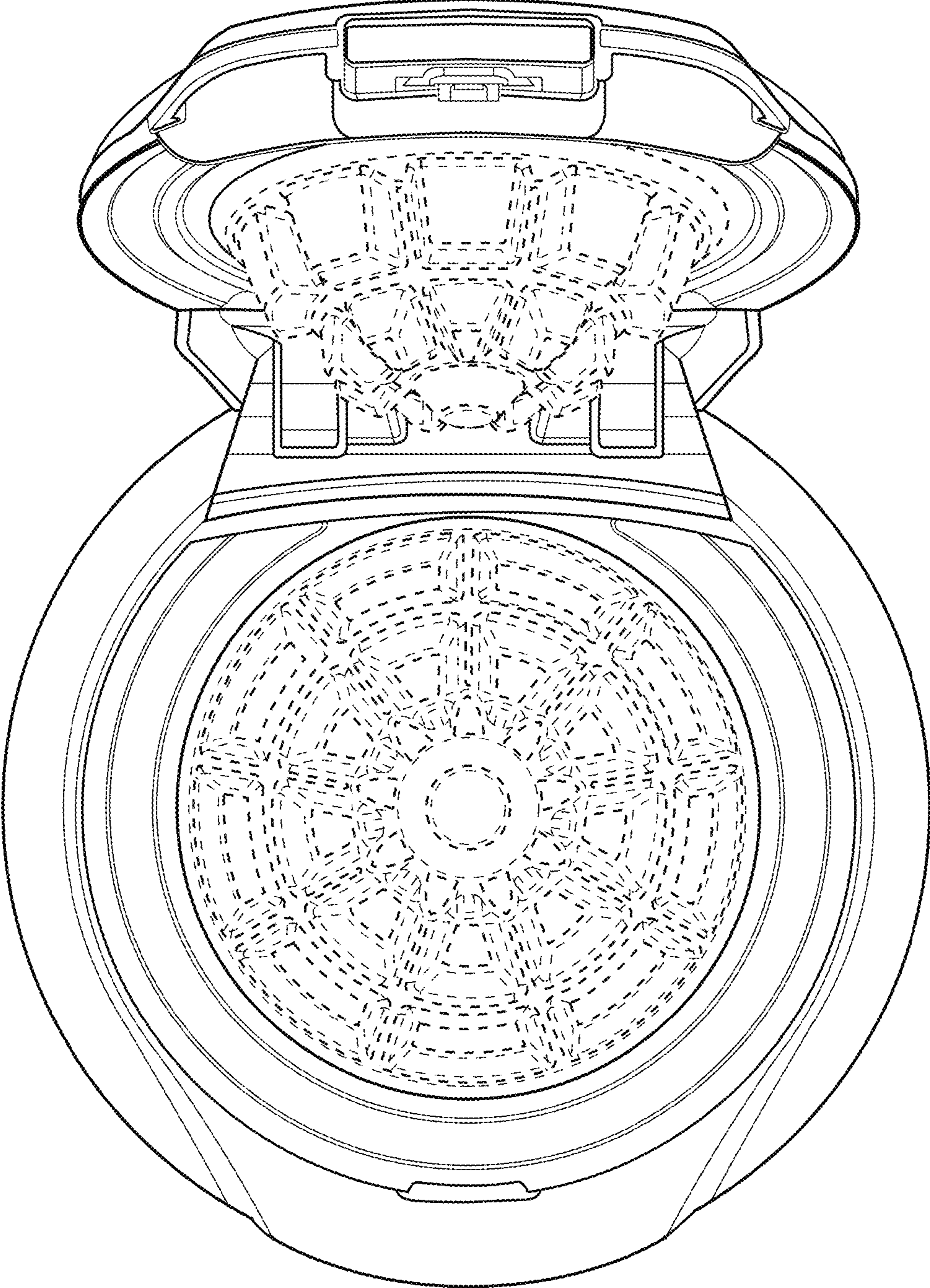


Fig. 9

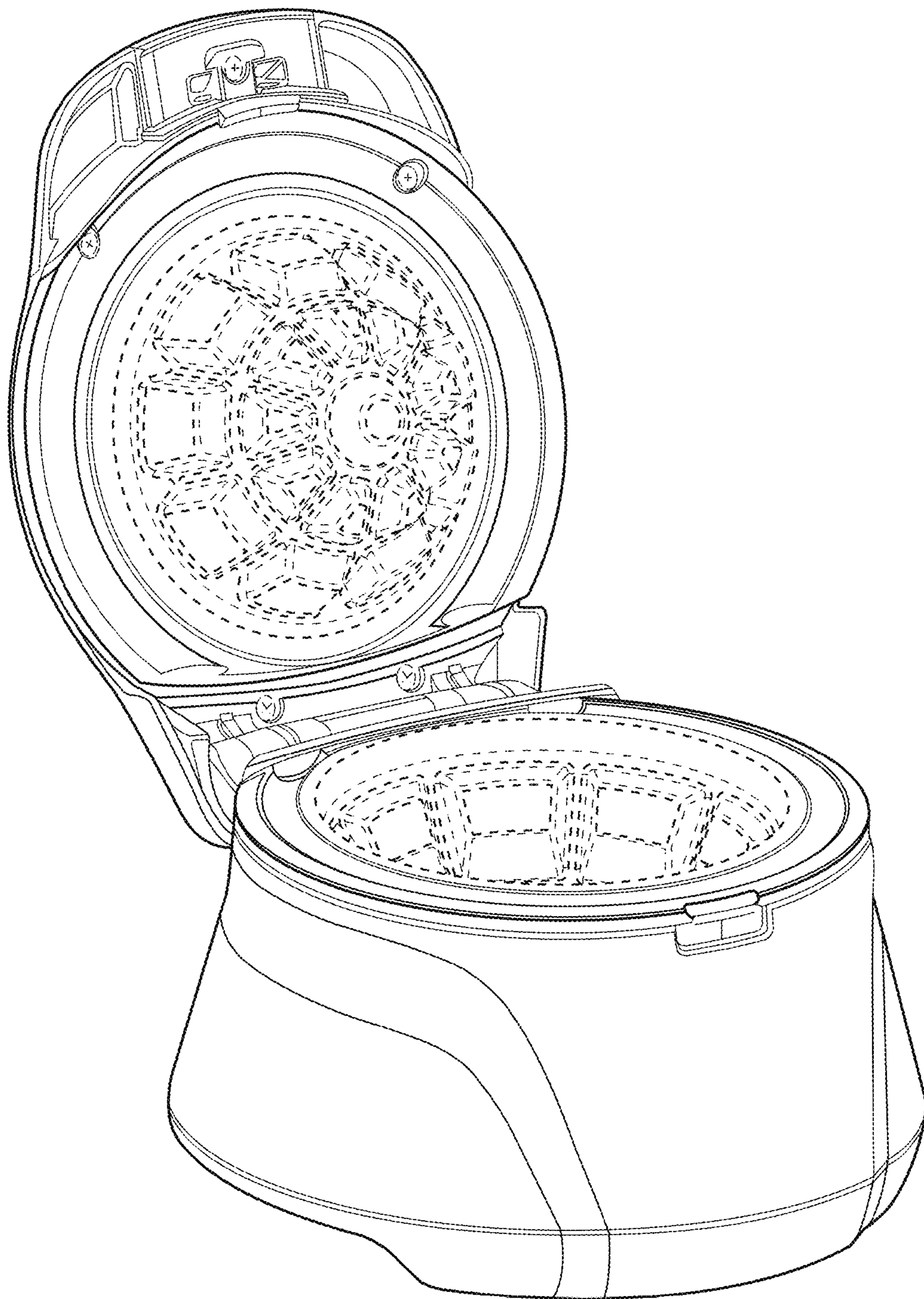


Fig. 10

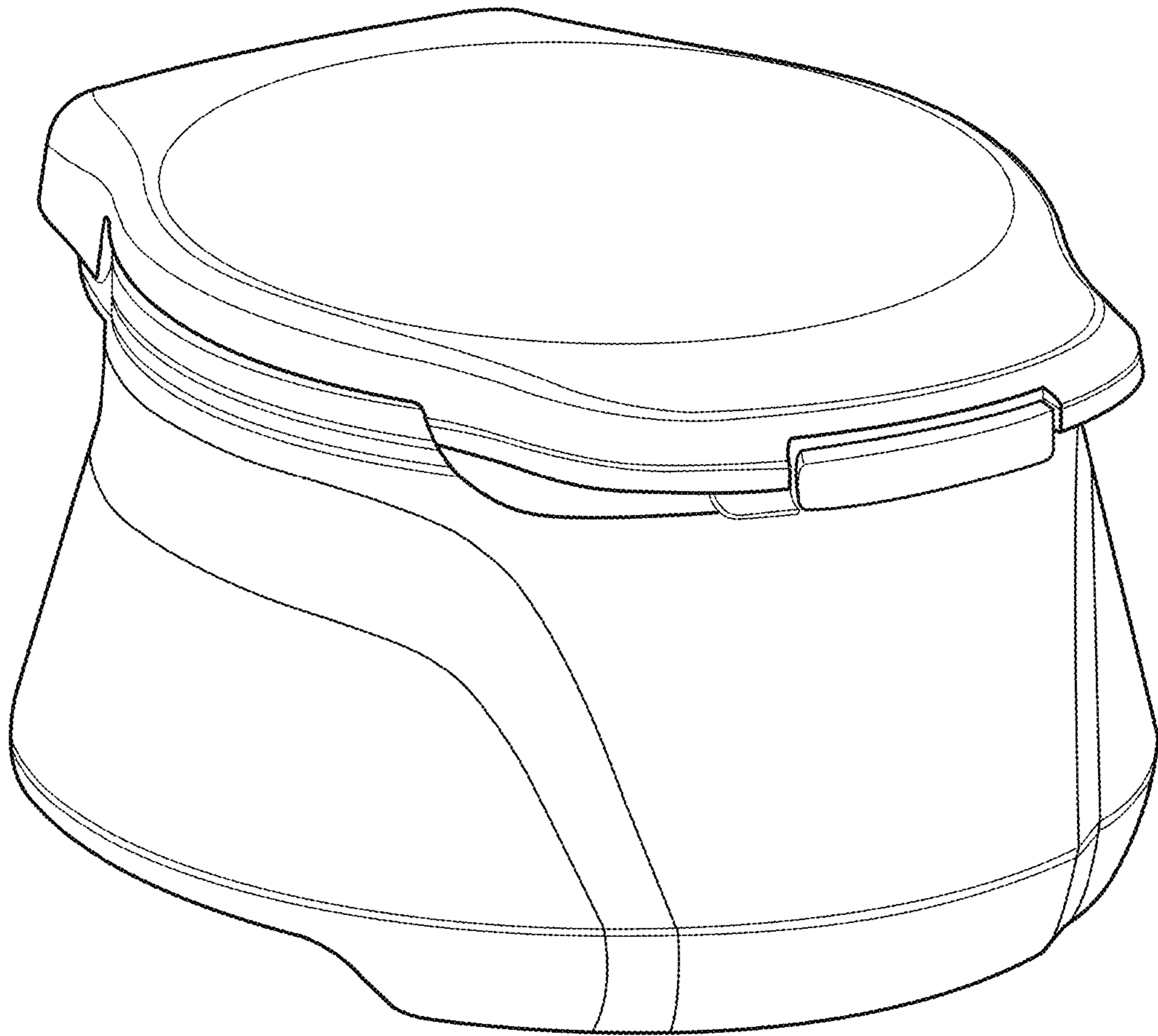


Fig. 11