



US00D768426S

(12) **United States Design Patent**
Stambolis

(10) **Patent No.:** **US D768,426 S**

(45) **Date of Patent:** **** Oct. 11, 2016**

(54) **ROUND ARCH HANDLE**

(71) Applicant: **RL Industry Company Ltd.**, Ningbo (CN)

(72) Inventor: **Petros Stambolis**, New York, NY (US)

(73) Assignee: **RL INDUSTRY COMPANY LTD.**, Ningbo (CN)

(**) Term: **14 Years**

(21) Appl. No.: **29/487,862**

(22) Filed: **Apr. 14, 2014**

(51) **LOC (10) Cl.** **07-02**

(52) **U.S. Cl.**
USPC **D7/354**

(58) **Field of Classification Search**
USPC D7/323, 354-361, 387, 543, 545, 549, D7/550.1, 552.1, 553.1-553.8, D7/554.1-554.4, 555, 584, 586, 602; D9/425, 428, 430-433, 455-456, 737, D9/756-762; D30/129
CPC A01K 5/0114; A01K 5/0128; A21B 3/00; A21B 3/13; A21B 3/15; A21B 3/134; A21B 5/00; A21B 5/02; A47J 36/022; A47J 36/025; A47J 36/027; A47J 37/00; A47J 37/04; A47J 43/0727; B65D 1/22; B65D 1/24; B65D 1/34; B65D 1/36; B65D 21/0234; B65D 43/0206; B65D 51/1683; B65D 81/343; B65D 85/36
See application file for complete search history.

(56) **References Cited**

U.S. PATENT DOCUMENTS

D248,142 S * 6/1978 Greger D7/359
4,803,954 A * 2/1989 Welch A01K 5/0128
119/61.53
D314,253 S * 1/1991 Goetz D30/129
5,203,836 A * 4/1993 Brazis A47J 43/0727
206/507
D367,582 S * 3/1996 Desbarres D7/360

D399,702 S * 10/1998 Mishan D7/354
D417,367 S * 12/1999 Laib D7/360
D457,784 S * 5/2002 Tornainen D7/543
D473,418 S * 4/2003 Burton D7/354
D553,444 S * 10/2007 de Groote D7/602
D564,711 S * 3/2008 Modi D30/129
D572,077 S * 7/2008 Duke D7/387
D573,414 S * 7/2008 Bellon D7/602
D581,204 S * 11/2008 Simon D7/354
D587,568 S * 3/2009 Shields D9/425
D606,811 S * 12/2009 Furlong D7/602
D612,663 S * 3/2010 Galperin D7/354
D672,612 S * 12/2012 Stamper D7/602
8,561,823 B1 * 10/2013 Krupa B65D 21/0234
206/515
8,851,013 B2 * 10/2014 Tsengas A01K 5/0114
119/61.3

(Continued)

OTHER PUBLICATIONS

Hazel Atlas Green Glass Mixing Bowl, 2 pages, 1930s-1940s.
(Continued)

Primary Examiner — Ricky Pham

(74) *Attorney, Agent, or Firm* — Mark M. Friedman

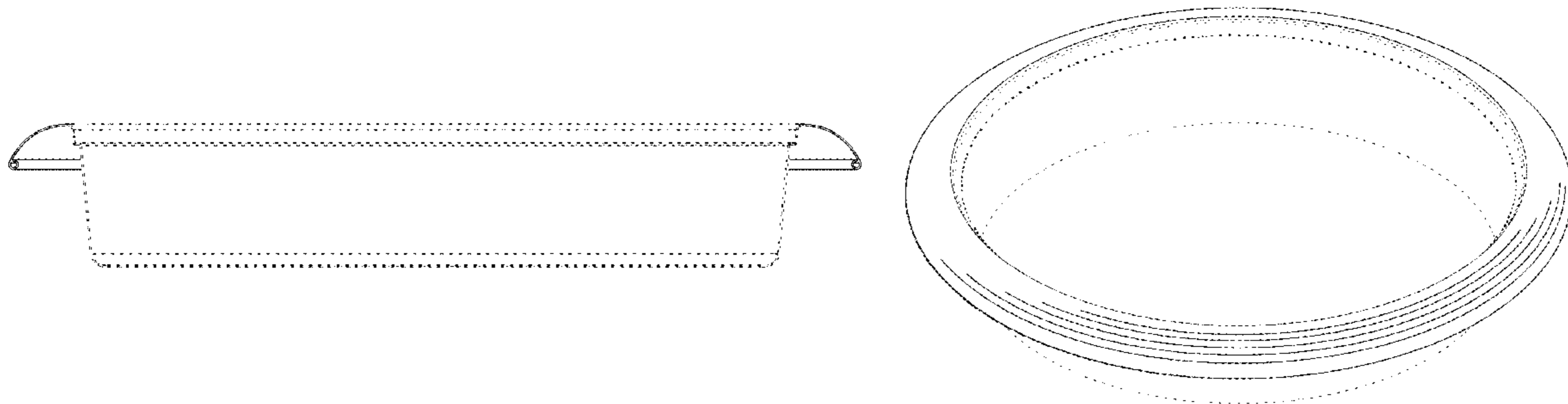
(57) **CLAIM**

The ornamental design for a round arch handle, as shown and described.

DESCRIPTION

FIG. 1 is a front view of a round arch handle showing my design;
FIG. 2 is a right side view thereof;
FIG. 3 is a left side view thereof;
FIG. 4 is a top view thereof;
FIG. 5 is a cross-sectional view taken along line 5-5 of FIG. 4 thereof;
FIG. 6 is a bottom view thereof; and,
FIG. 7 is a perspective view thereof.
The broken lines in the drawings depict environmental subject matter only and form no part of the claimed design.

1 Claim, 7 Drawing Sheets



(56)

References Cited

U.S. PATENT DOCUMENTS

D717,122 S * 11/2014 Carlson D7/602
D734,991 S * 7/2015 Carlson D7/602
D741,166 S * 10/2015 Tyberghein D9/425
D754,466 S * 4/2016 Stambolis D7/354
2006/0032852 A1 * 2/2006 Cai B65D 51/1683
220/287
2009/0120937 A1 * 5/2009 Vovan B65D 43/0206
220/266

OTHER PUBLICATIONS

Hazel Atlas Yellow Glass Mixing Bowl, 2 pages, 1930s.
Spun Copper Metal Bowl, 2 pages, 2001, <http://www.jamesriser.com>.
Amber Mixing Bowl, 2 pages, 1930s.
Sculpted Round Bowl, 2 pages, at least as early as 2009, <http://www.szp.co.il/product/864>.
Amber Glass Pedestal Bowl, 2 pages, 1940s.

* cited by examiner

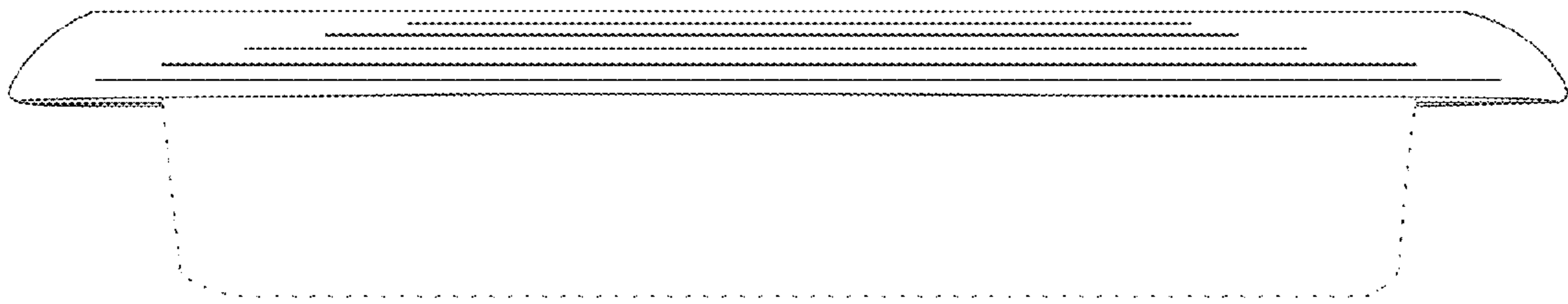


FIG. 1

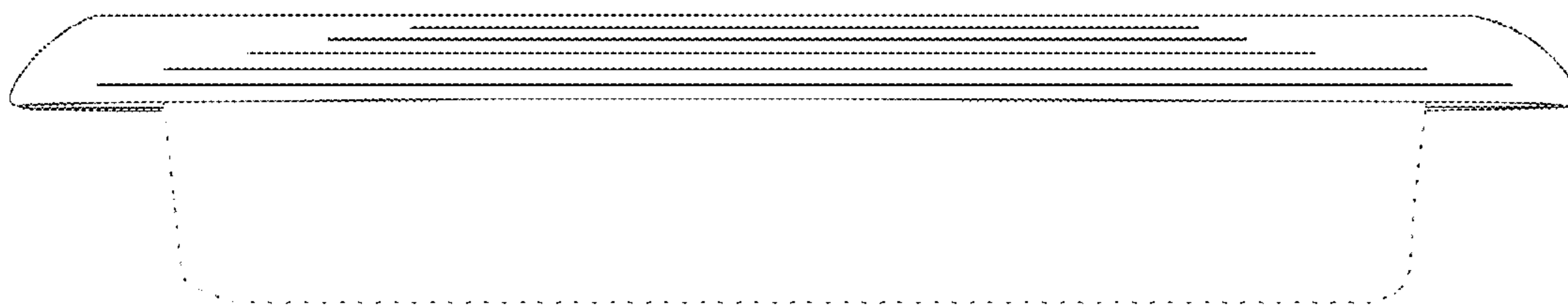


FIG. 2

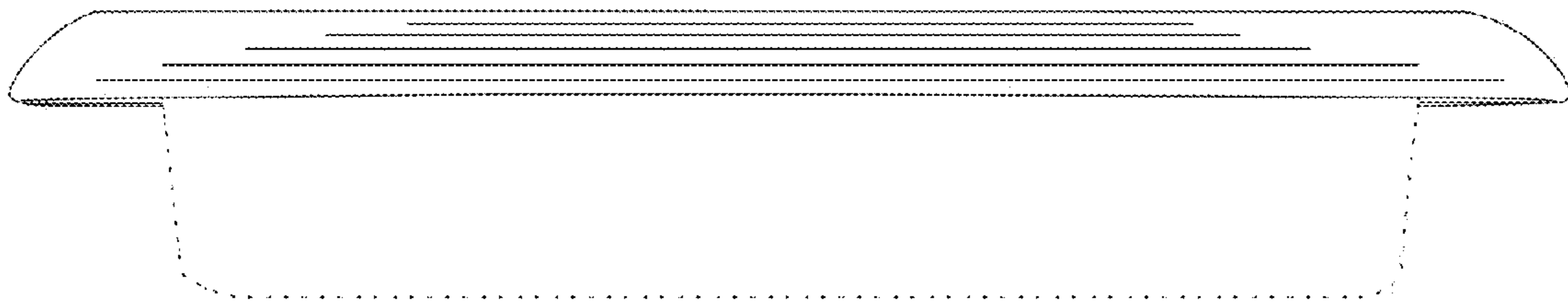


FIG. 3

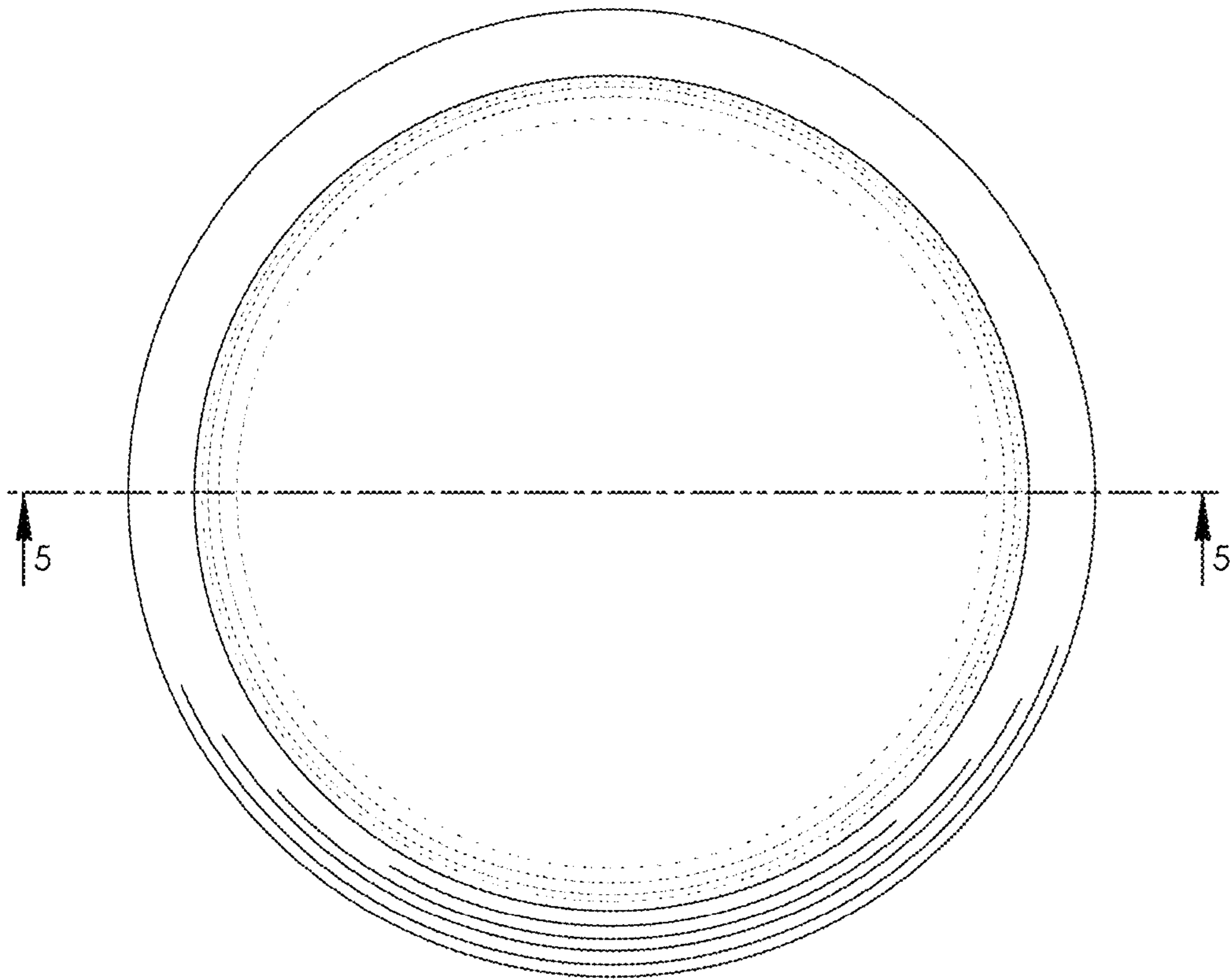


FIG. 4

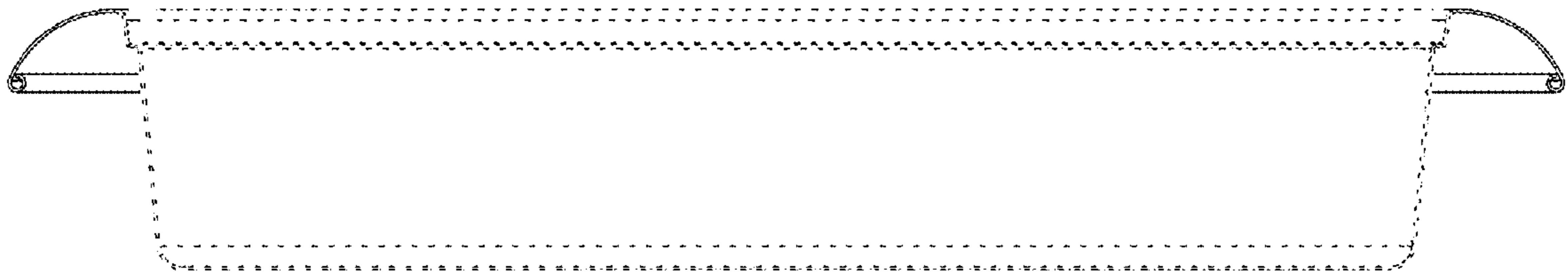


FIG. 5

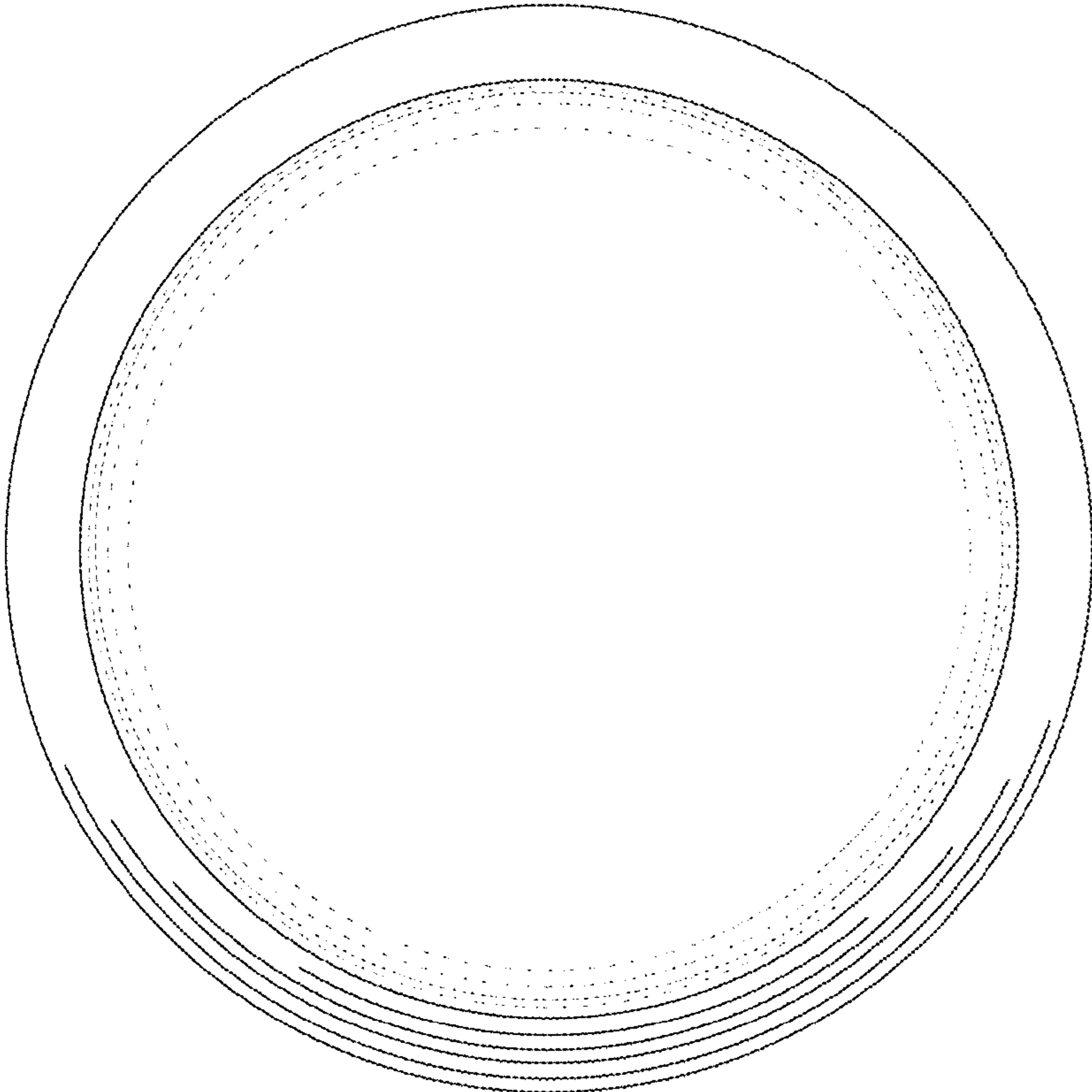


FIG. 6

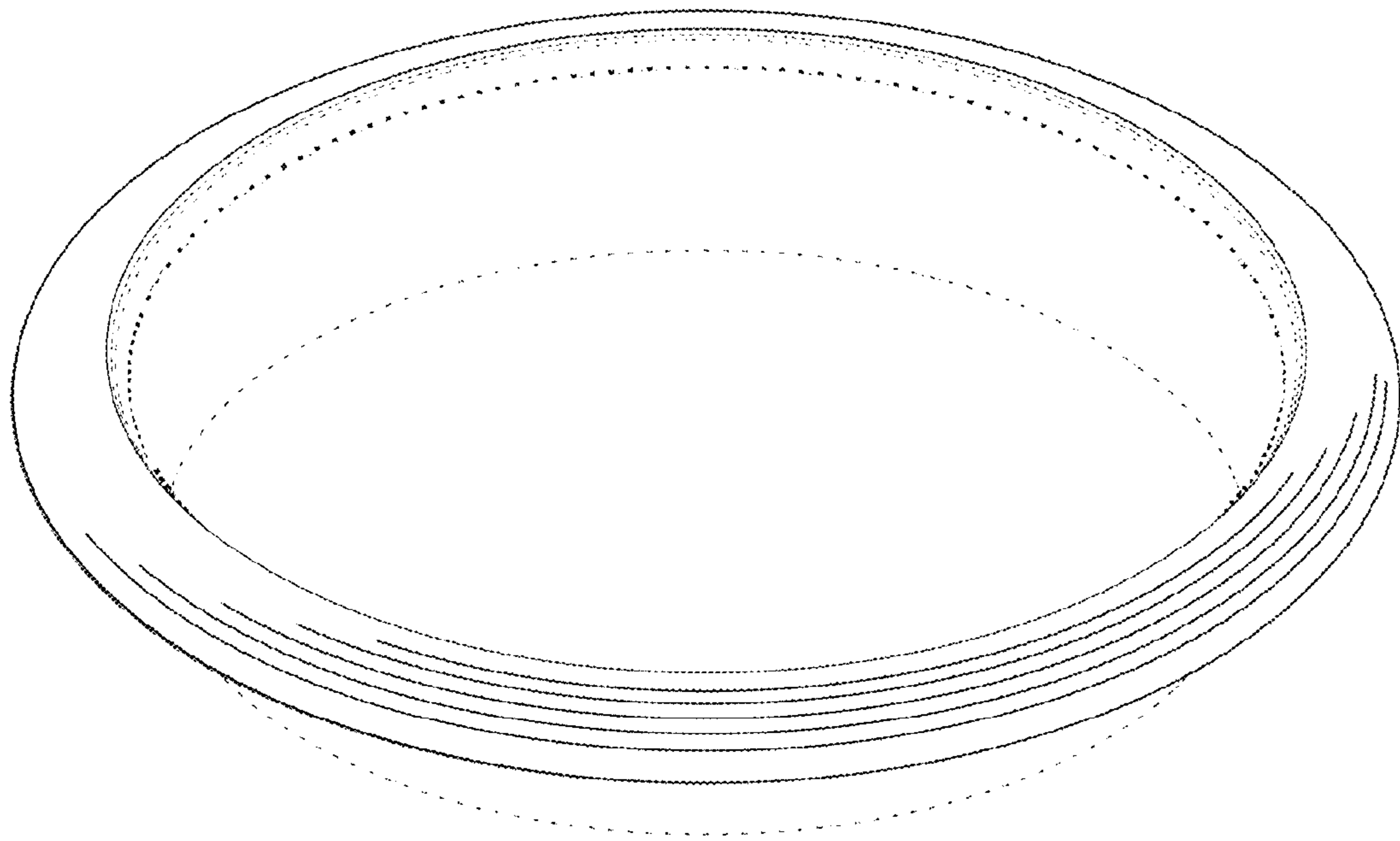


FIG. 7