



US00D768425S

(12) **United States Design Patent**
Israni

(10) **Patent No.:** **US D768,425 S**

(45) **Date of Patent:** **** Oct. 11, 2016**

(54) **COMPACT APPLIANCE FOR MAKING FLAT EDIBLES**

(71) Applicant: **Pranoti Nagarkar Israni**, Singapore (SG)

(72) Inventor: **Pranoti Nagarkar Israni**, Singapore (SG)

(73) Assignee: **Zimplistic Pte. Ltd.**, Singapore (SG)

(**) Term: **14 Years**

(21) Appl. No.: **29/513,640**

(22) Filed: **Jan. 3, 2015**

(51) **LOC (10) Cl.** **07-02**

(52) **U.S. Cl.**
USPC **D7/350.2**

(58) **Field of Classification Search**
USPC D7/332, 334-337, 402-405, 417, 338, D7/348; 126/275 E; D9/433
CPC A47J 37/0704; A47J 37/0763; A47J 37/0745; A47J 37/0713; A47J 37/0768; A47J 37/079; A47J 36/26; A47J 39/00; F24B 1/205; F24B 1/02; F24B 15/04; F24C 3/14; F24C 3/027; F24C 15/08; F47J 33/00; B65D 7/26; B65D 7/24; B65D 85/1045; B65D 85/18; A23B 4/052

See application file for complete search history.

(56) **References Cited**

U.S. PATENT DOCUMENTS

4,506,652 A * 3/1985 Baker A21B 1/44 126/21 A
D329,163 S * 9/1992 Chang D7/350.3
5,365,918 A * 11/1994 Smith F24C 15/162 126/21 A
D367,203 S * 2/1996 Sprouls 126/19 R

D379,733 S * 6/1997 Liu D7/352
D439,795 S * 4/2001 Ivanouskas D7/351
D453,442 S * 2/2002 Noda D7/351
D523,282 S * 6/2006 Yoon D7/351
D677,971 S * 3/2013 Corriveau D7/351
D693,166 S * 11/2013 Measom D7/350.1
9,326,639 B2 * 5/2016 McKee A21B 1/245
2014/0311355 A1 * 10/2014 Hegarty A21B 1/40 99/331
2015/0164271 A1 * 6/2015 McKee A47J 37/049 219/756

* cited by examiner

Primary Examiner — Cynthia M Chin

(74) *Attorney, Agent, or Firm* — Geeta Kadambi; Riddhi IP LLC

(57) **CLAIM**

The ornamental design for a “compact appliance for making flat edibles,” as shown and described.

DESCRIPTION

FIG. 1 is a full view of the compact appliance for making flat edibles.

FIG. 2 is a back view of the compact appliance for making flat edibles showing the exhaust fan

FIG. 3 is a front side view of the compact appliance for making flat edibles showing an opening.

FIG. 4 is a backside view of the compact appliance for making flat edibles showing the electrical connection.

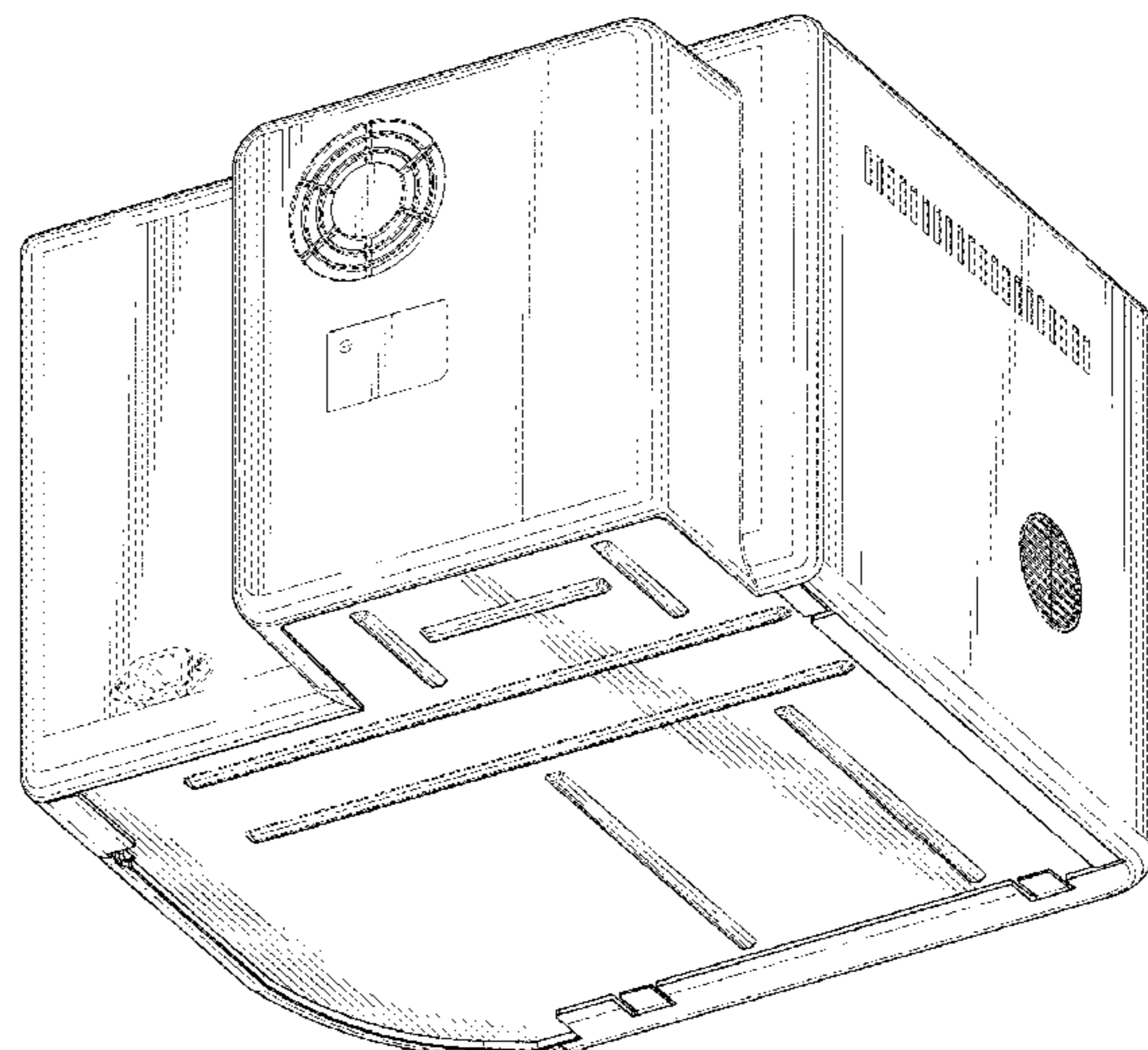
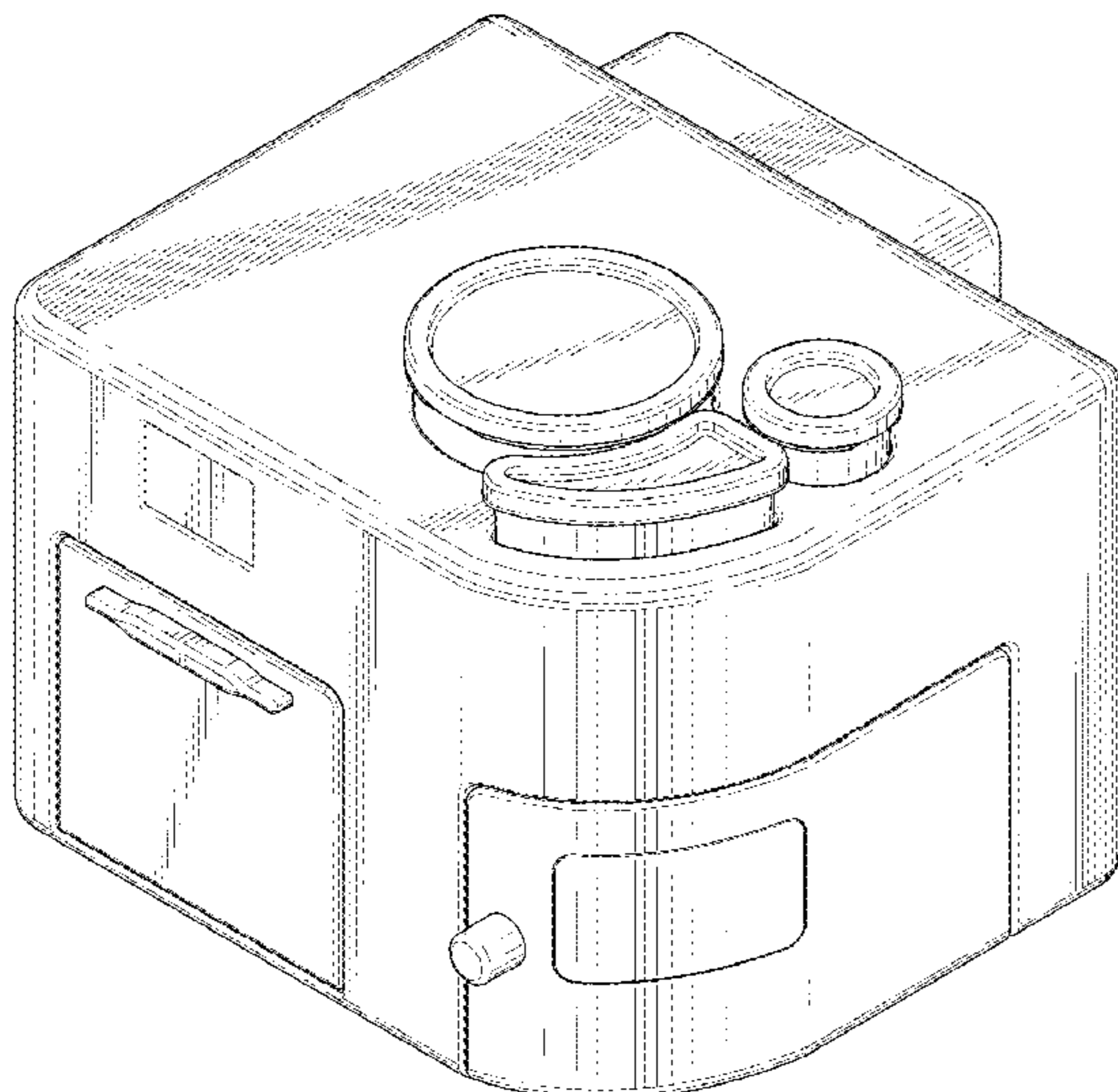
FIG. 5 is a right side view of the compact appliance for making flat edibles.

FIG. 6 is a left side view of the compact appliance for making flat edibles.

FIG. 7 is a top view of the compact appliance for making flat edibles showing the containers; and,

FIG. 8 is a bottom view of the compact appliance for making flat edibles.

1 Claim, 8 Drawing Sheets



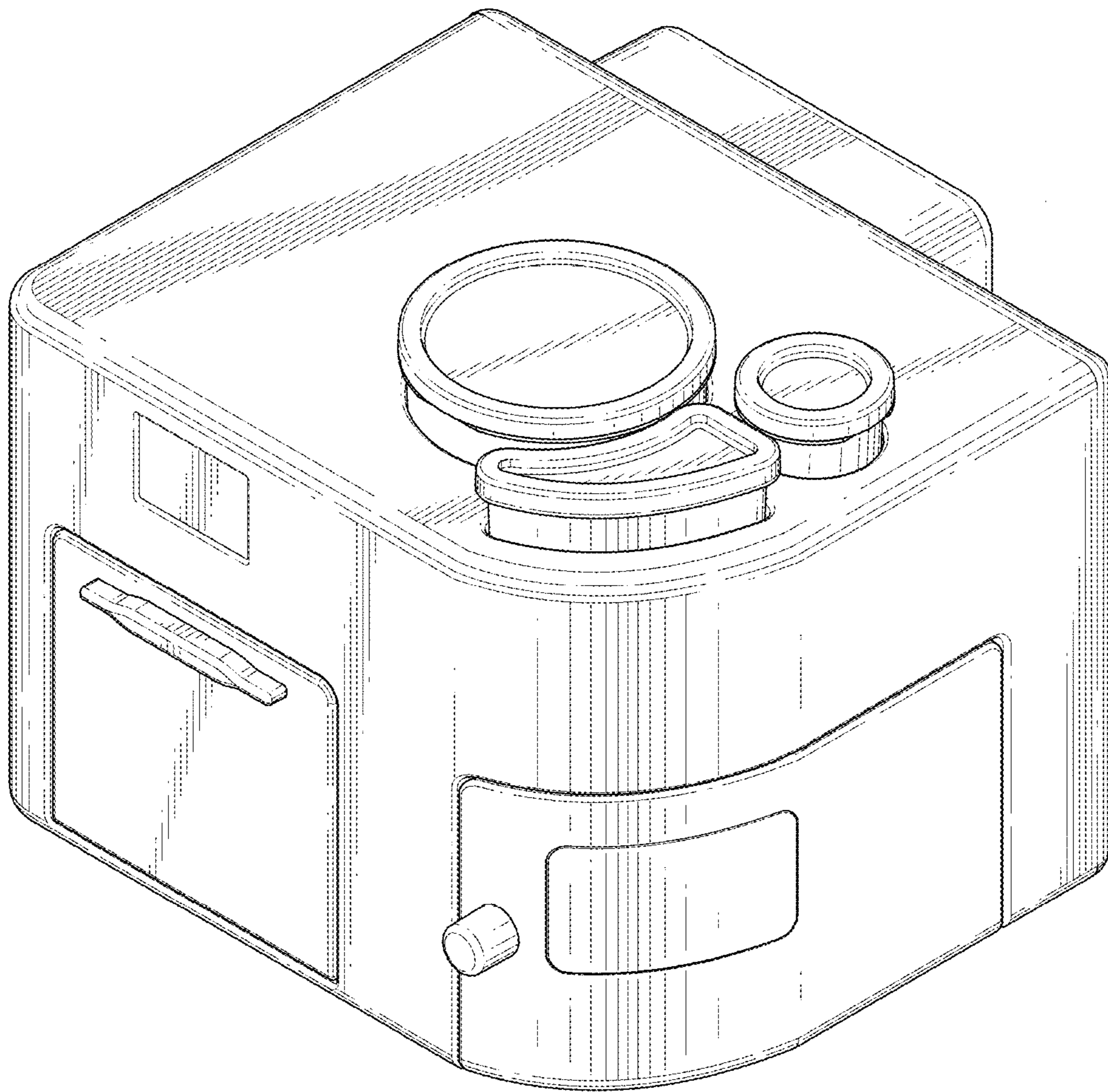


FIG. 1

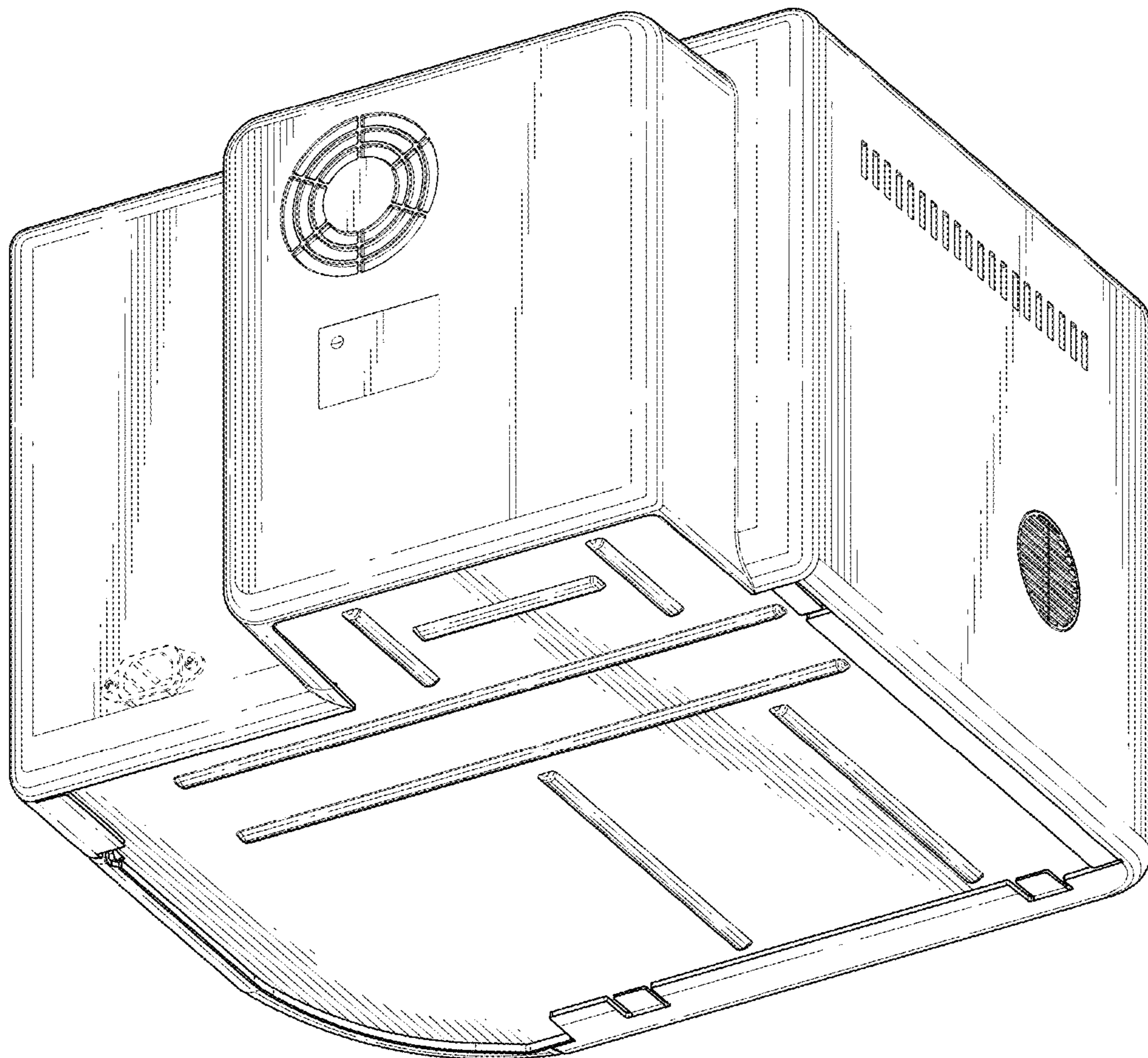


FIG. 2

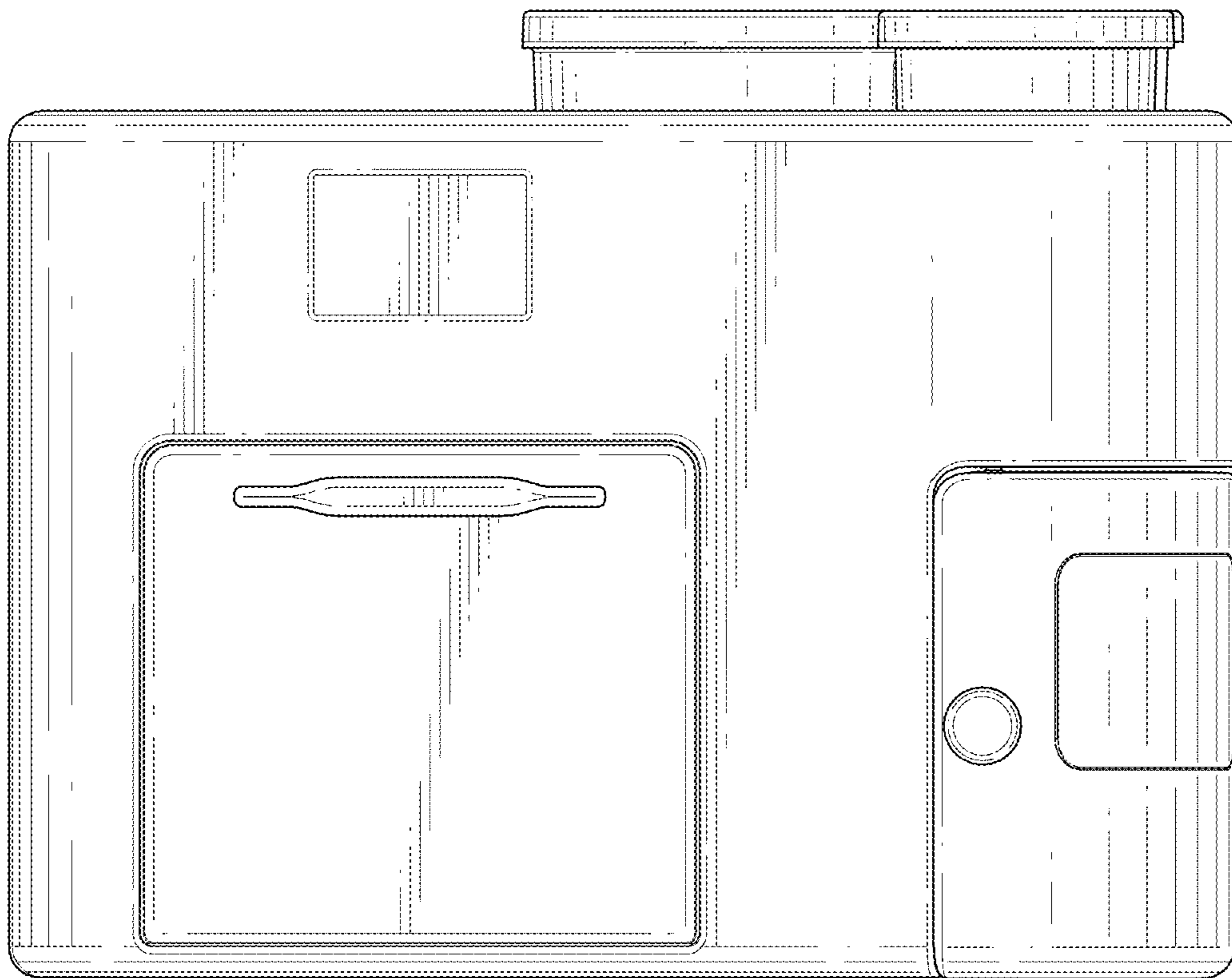


FIG. 3

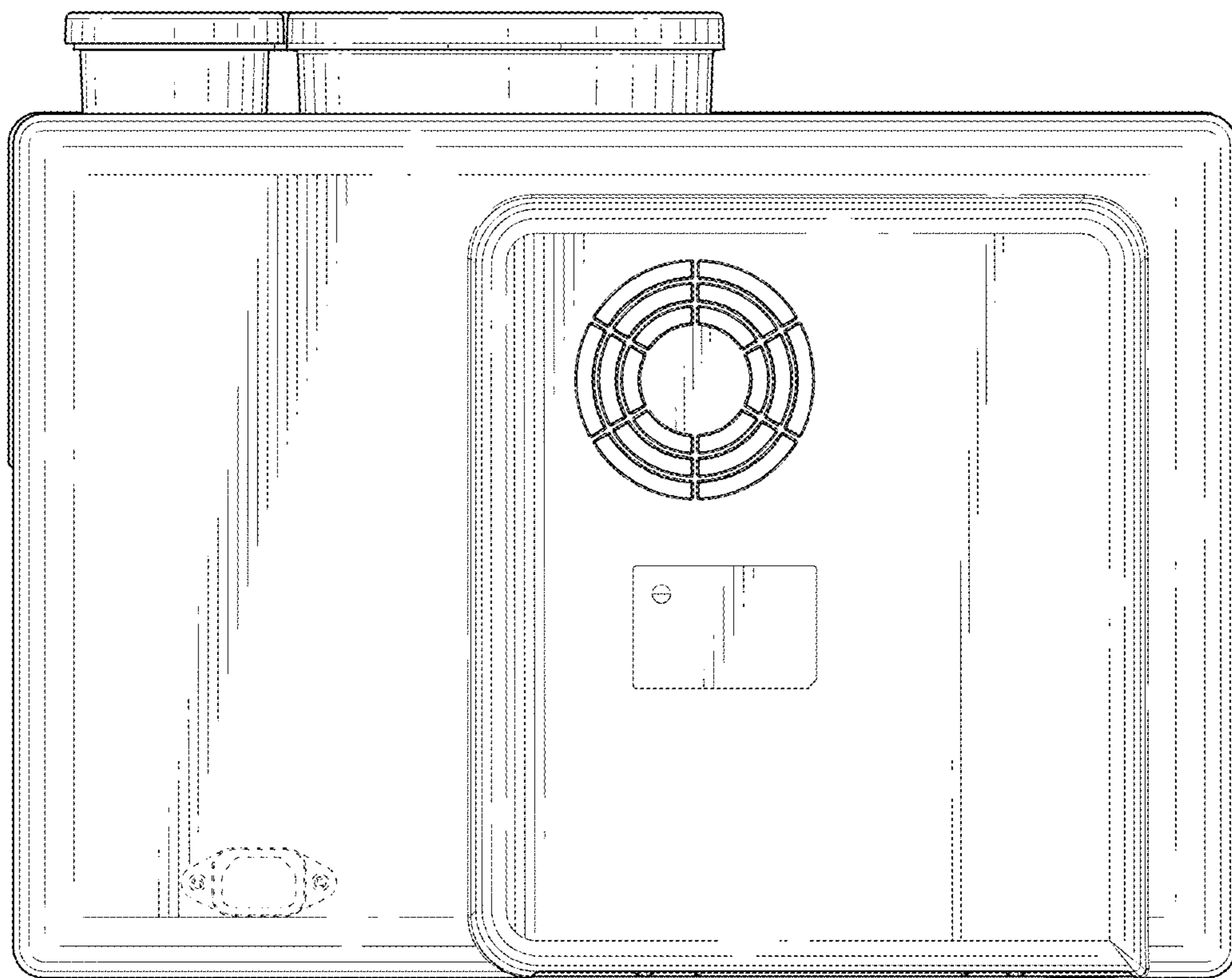


FIG. 4

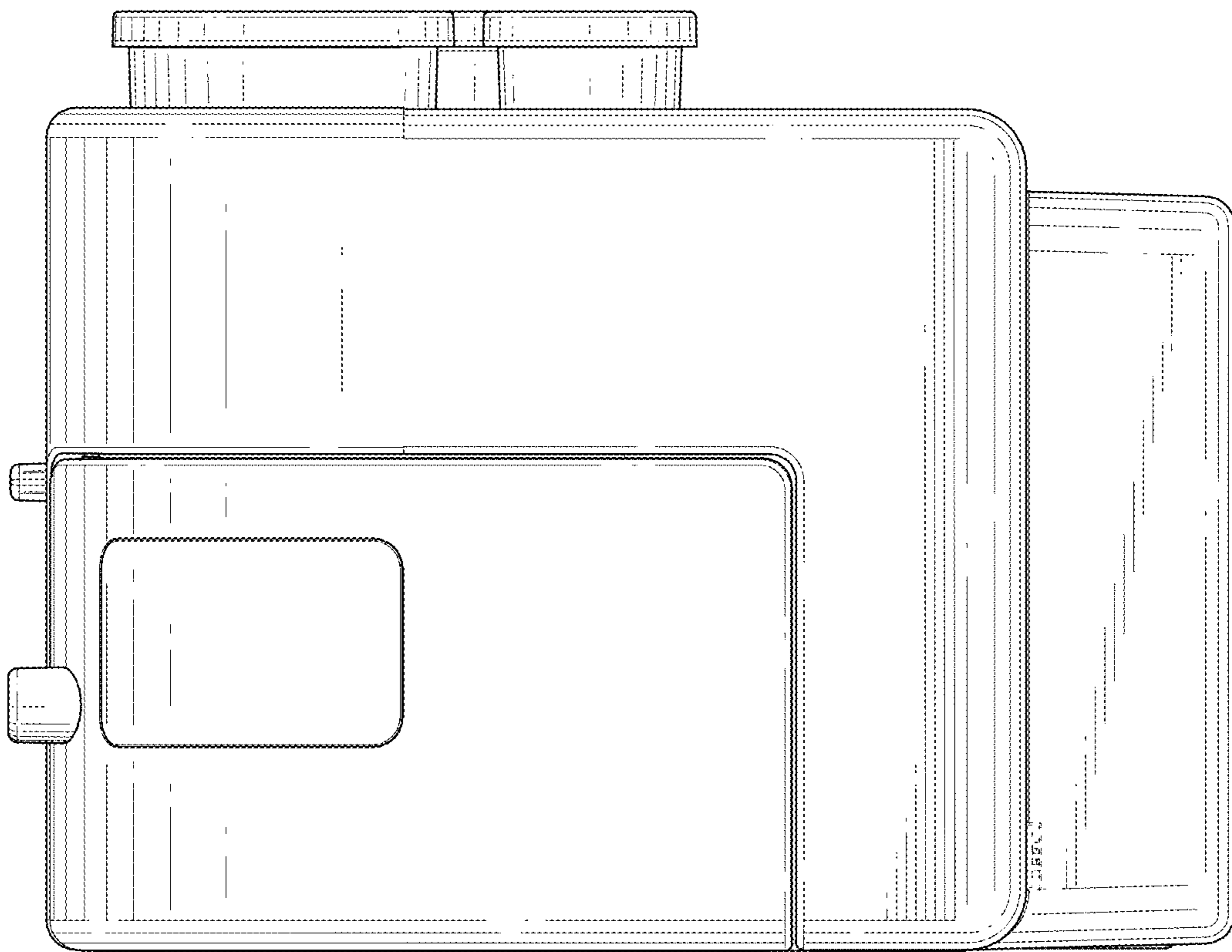


FIG. 5

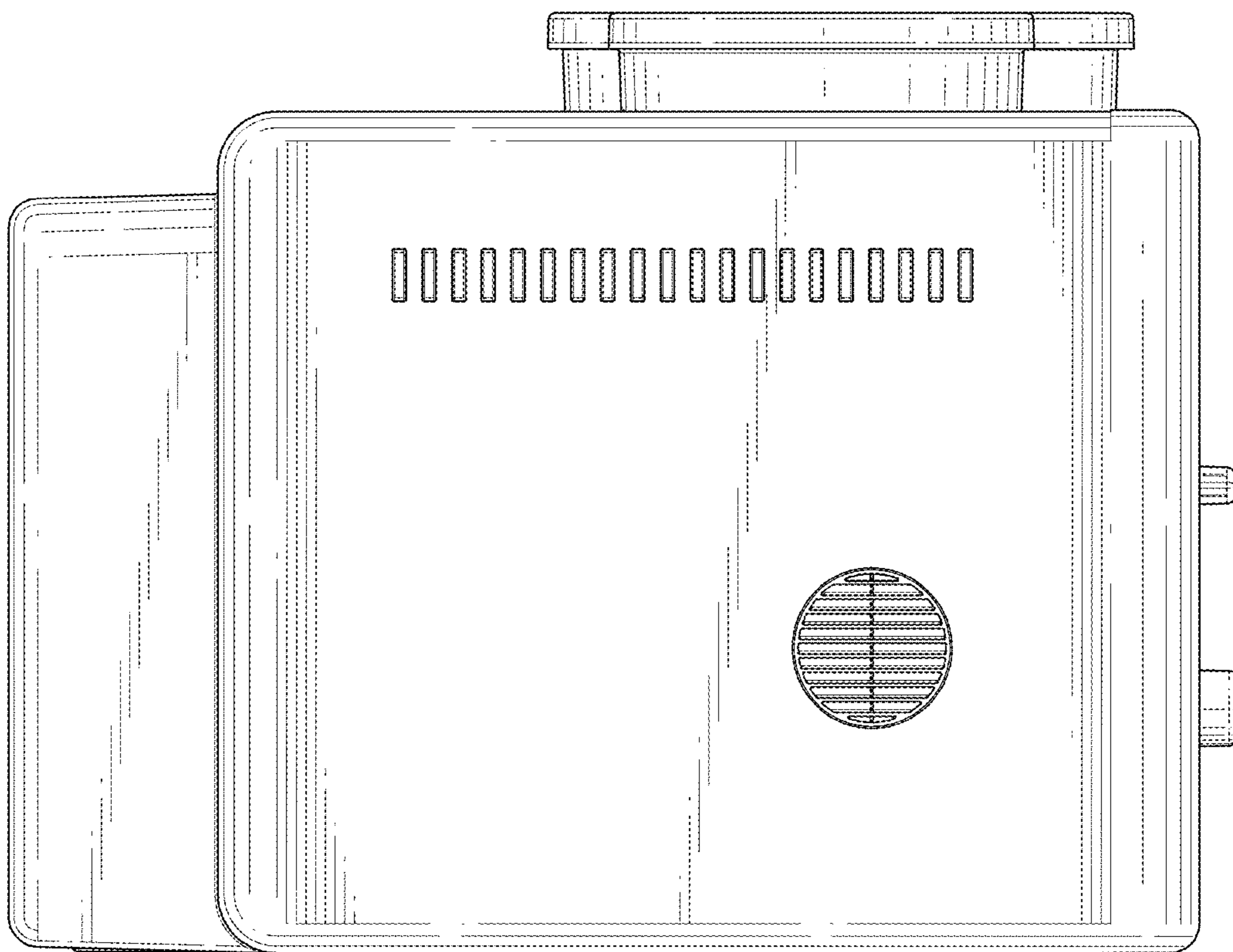


FIG. 6

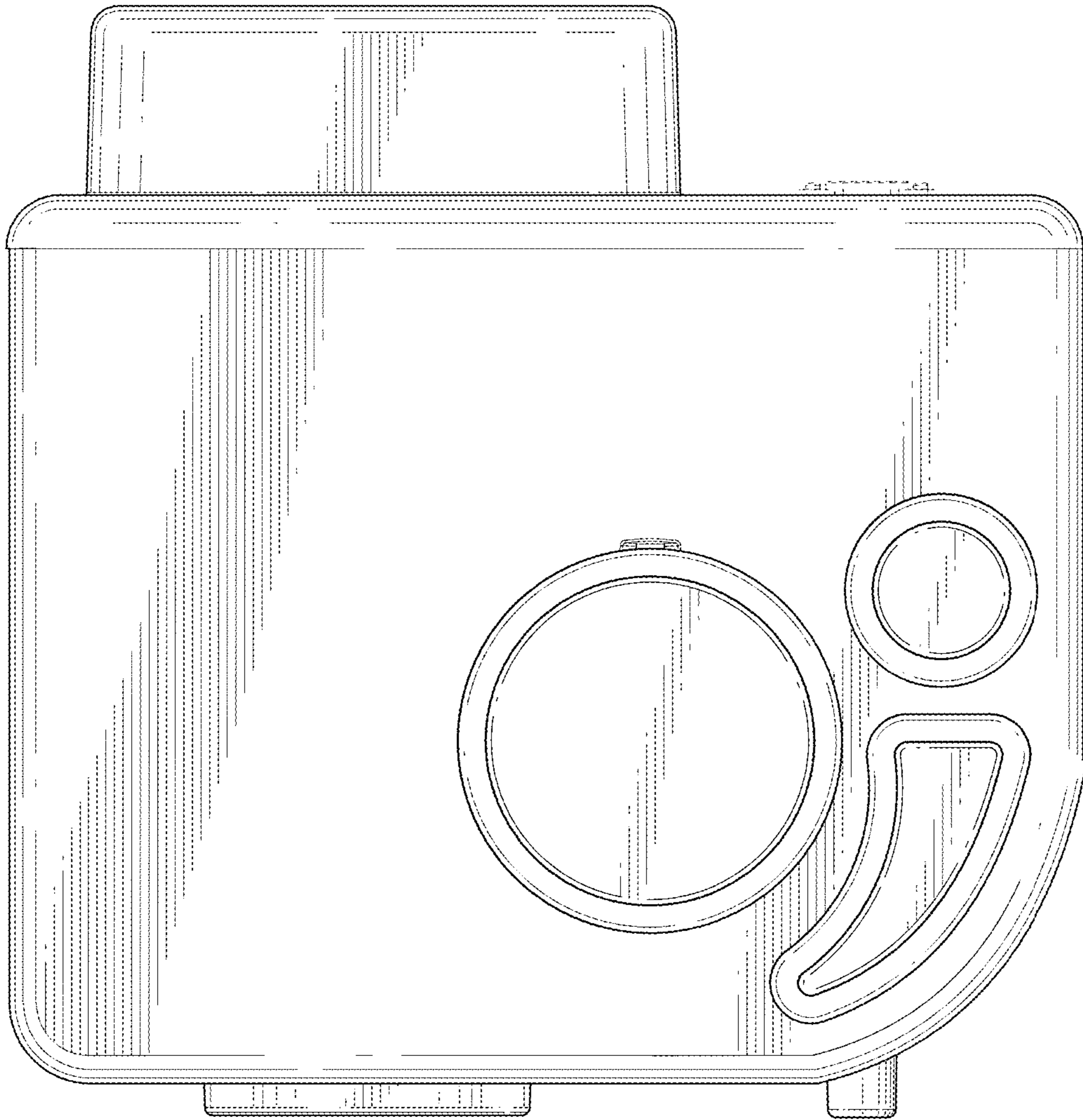


FIG. 7

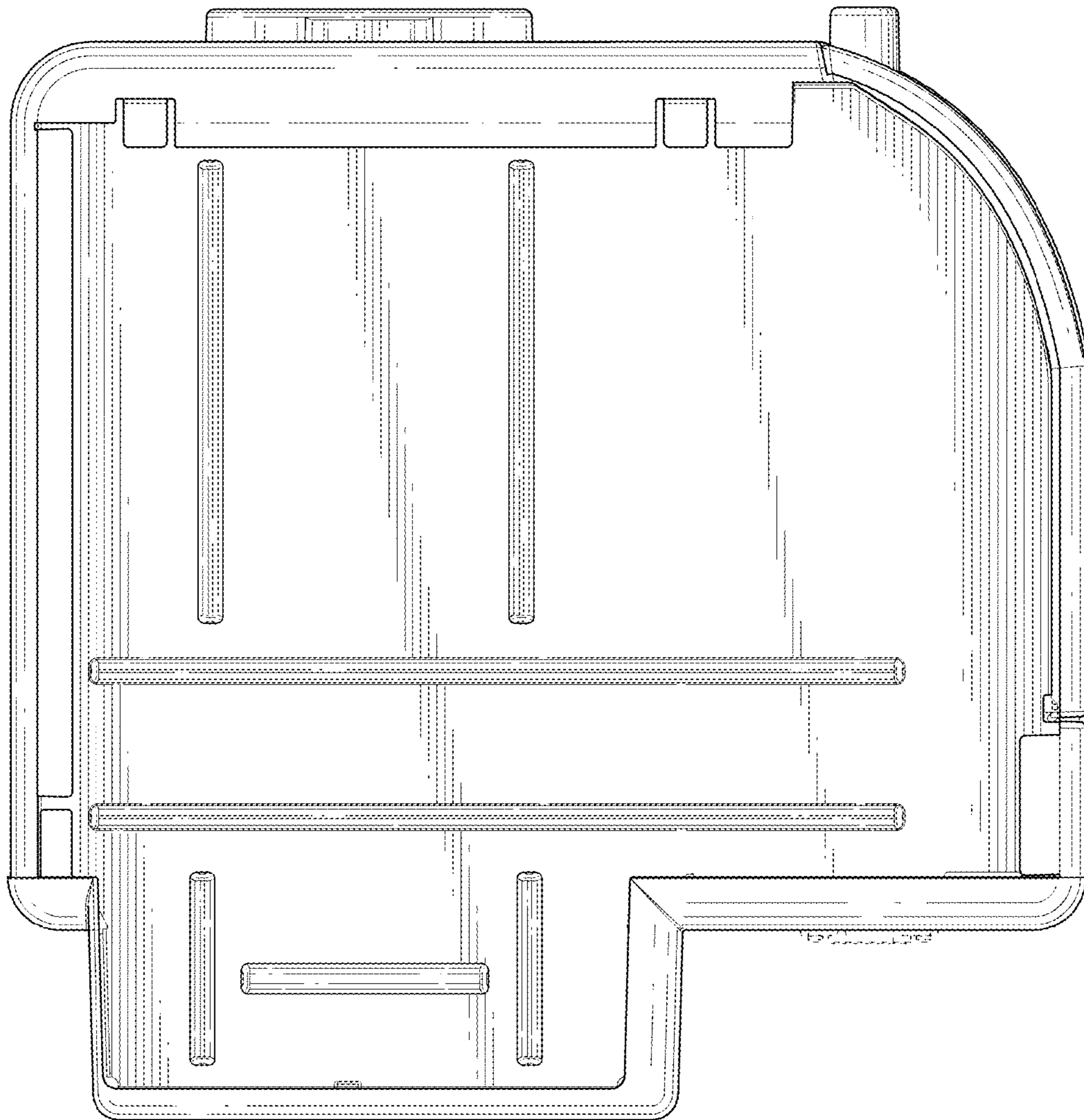


FIG. 8