



US00D768423S

(12) **United States Design Patent**
Thul et al.

(10) **Patent No.:** **US D768,423 S**

(45) **Date of Patent:** **** Oct. 11, 2016**

(54) **STEAM INJECTING BREWER**
(71) Applicant: **2T2J, Inc.**, Austin, TX (US)
(72) Inventors: **Travis Michael Thul**, Halethorpe, MD (US); **Jiju George Johnson**, Milwaukee, WI (US)

D564,280 S 3/2008 Ting et al.
D627,188 S * 11/2010 Picozza D7/306
D646,108 S 10/2011 Zoppellari
D661,536 S 6/2012 Hughes et al.
D707,485 S 6/2014 Thul et al.
D713,194 S * 9/2014 Dakis D7/306
D719,776 S * 12/2014 Kunz D7/309
D721,531 S * 1/2015 Krasne D7/309

(73) Assignee: **2T2J, INC.**, Austin, TX (US)

* cited by examiner

(**) Term: **14 Years**

Primary Examiner — Marianne Pandozzi

(21) Appl. No.: **29/500,598**

(74) *Attorney, Agent, or Firm* — Foley & Lardner LLP

(22) Filed: **Aug. 26, 2014**

(57) **CLAIM**

(51) **LOC (10) Cl.** **07-01**

The ornamental design for a steam injecting brewer, as shown and described.

(52) **U.S. Cl.**

DESCRIPTION

USPC **D7/306**; D7/311; D7/310; D7/355

(58) **Field of Classification Search**

USPC D7/300, 309–311, 306–308, 305, 355, D7/362, 365, 367; 222/146.6, 185.1; 99/295, 273, 304, 288, 279, 307, 467, 99/403

CPC A47J 31/46; A47J 31/407; A47J 31/50; A47J 31/18; A47J 31/00; A47J 27/04

See application file for complete search history.

(56) **References Cited**

U.S. PATENT DOCUMENTS

6,739,241 B2 * 5/2004 Long A47J 31/005 99/279
D511,922 S * 11/2005 Bell D7/309
D518,328 S * 4/2006 Picozza D7/309
D534,770 S 1/2007 Gluck
D546,112 S * 7/2007 Rorke D7/309
D555,969 S * 11/2007 Picozza D7/306

FIG. 1 is a top perspective view of a steam injecting brewer showing my new design;
FIG. 2 is a top perspective view thereof with lid in open position;
FIG. 3 is an exploded perspective view thereof;
FIG. 4 is a front elevational view thereof;
FIG. 5 is a front elevational view thereof with the lid in open position;
FIG. 6 is a right side elevational view thereof; and,
FIG. 7 is a right side elevational view thereof with the lid in open position.

The steam injecting brewer design is characterized by the stout shape, round contours, incorporation of a circular bowl with spout, and a protruding half-sphere with lateral concave hole.

1 Claim, 7 Drawing Sheets

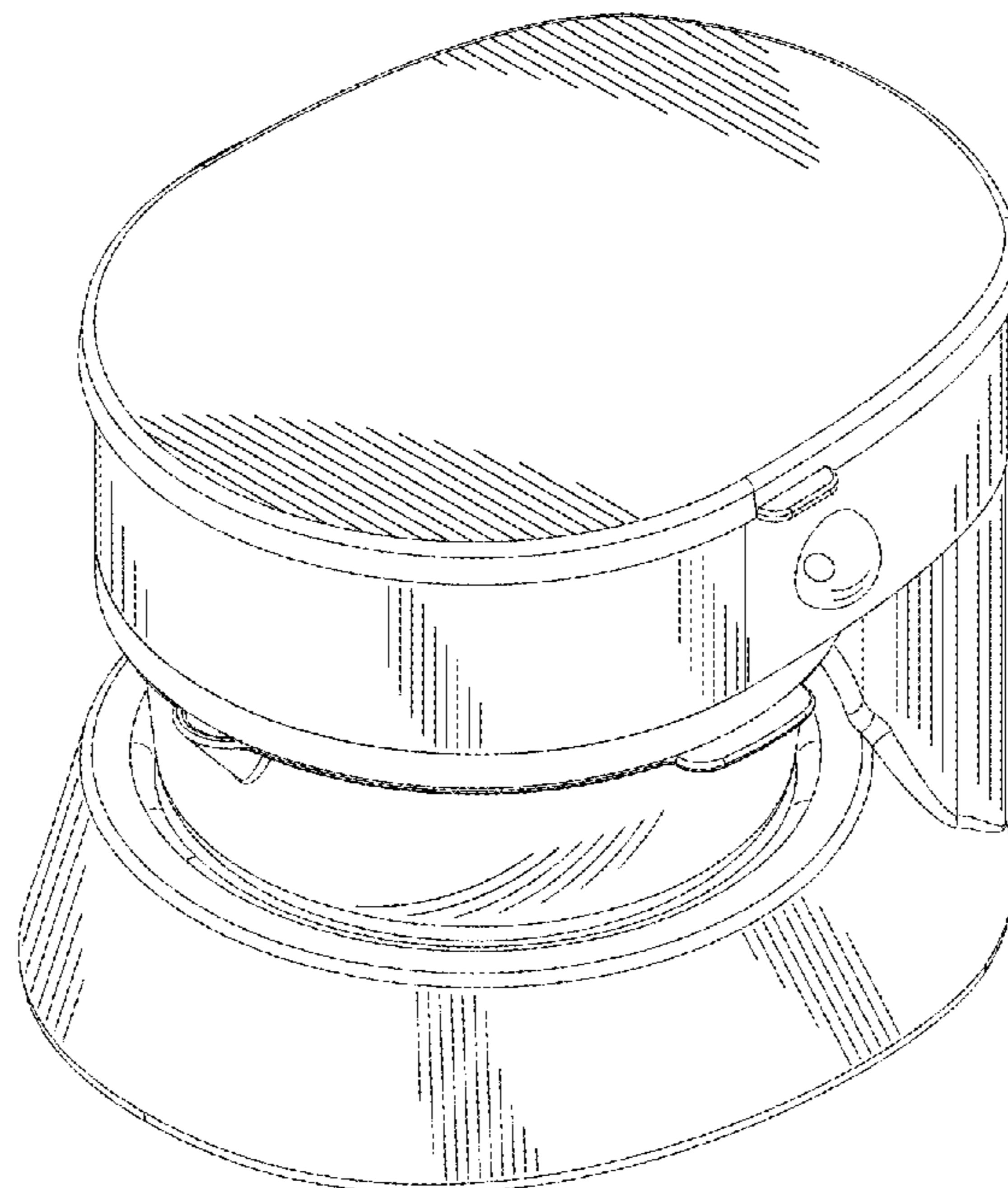
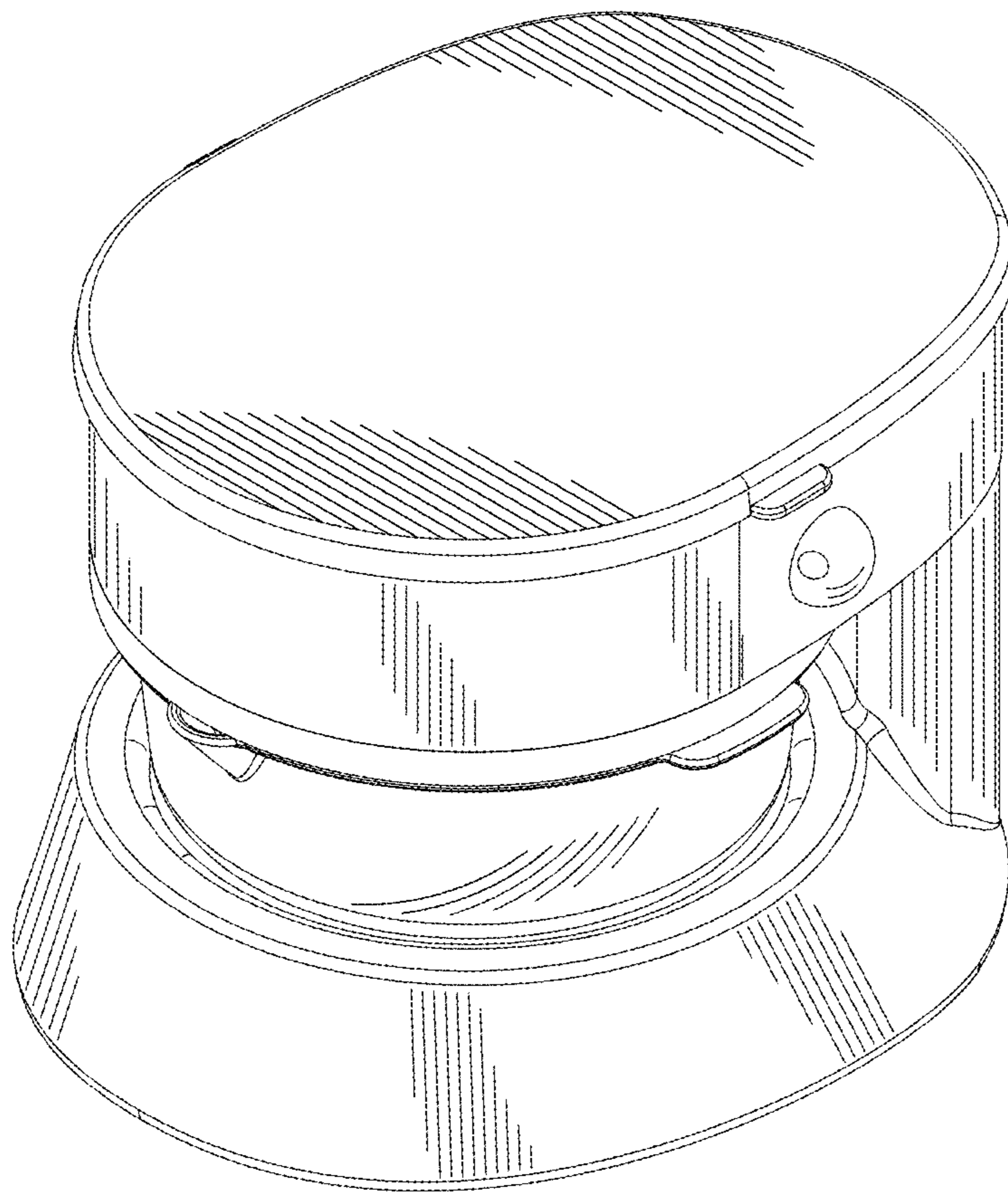
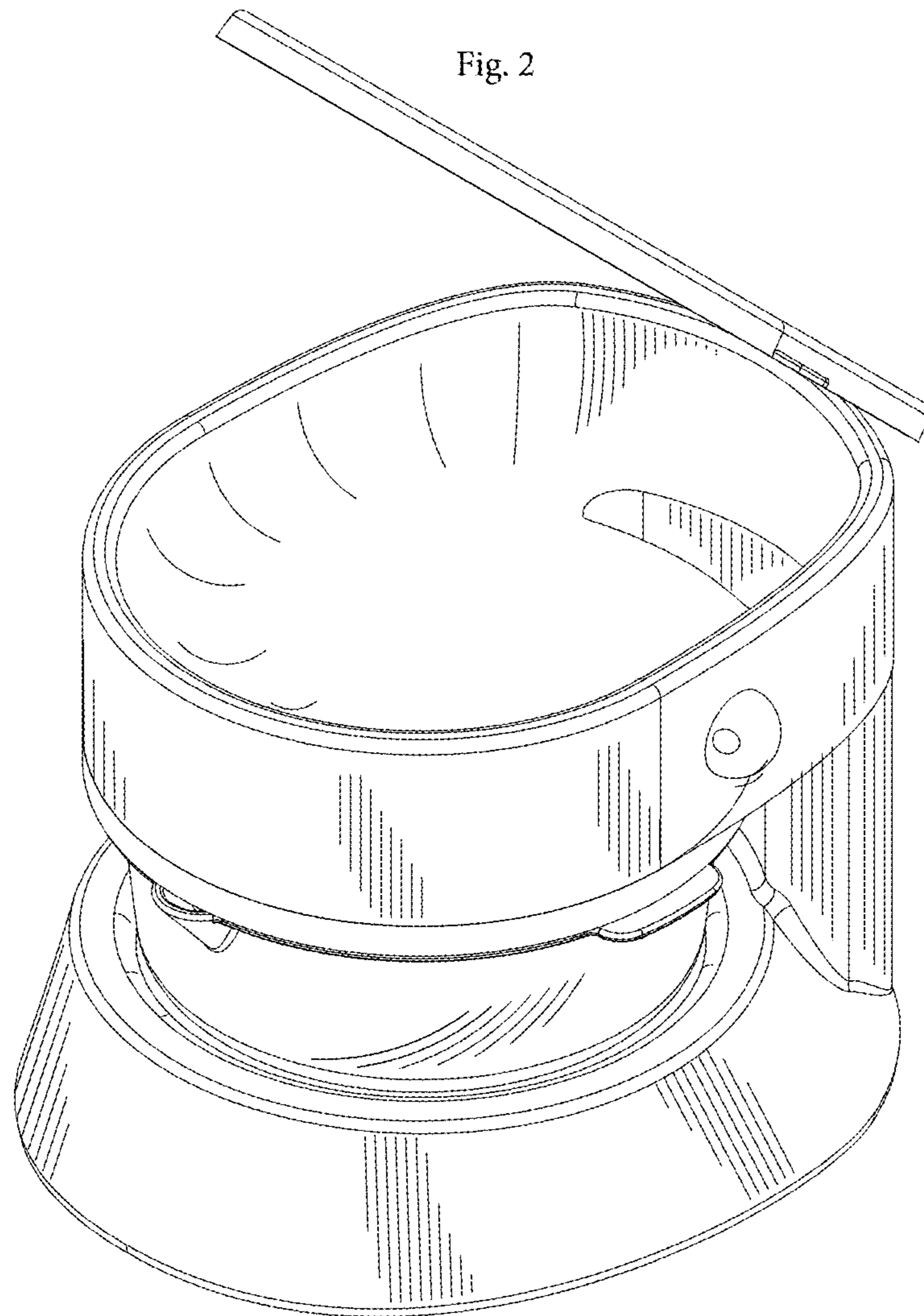


Fig. 1





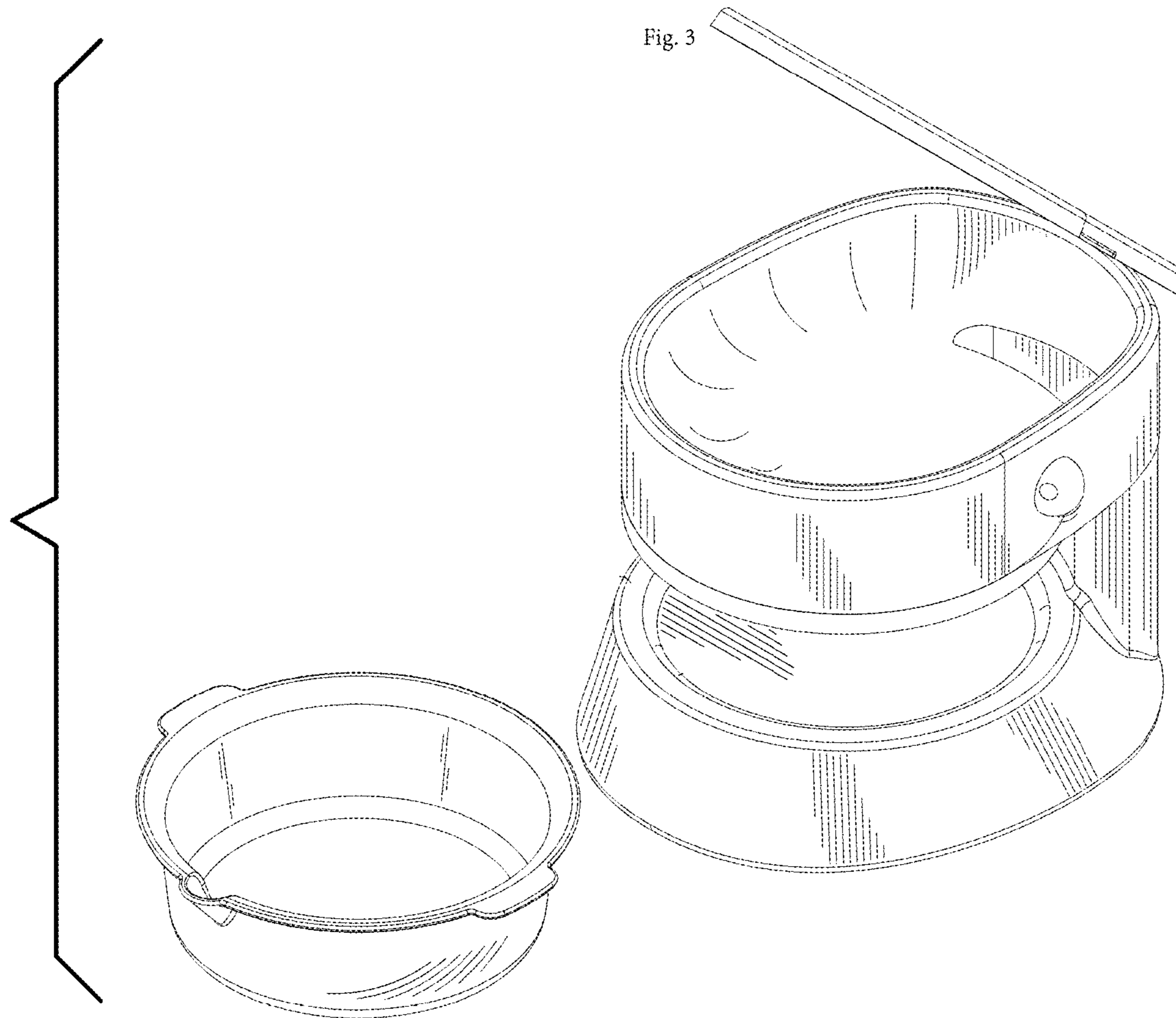


Fig. 4

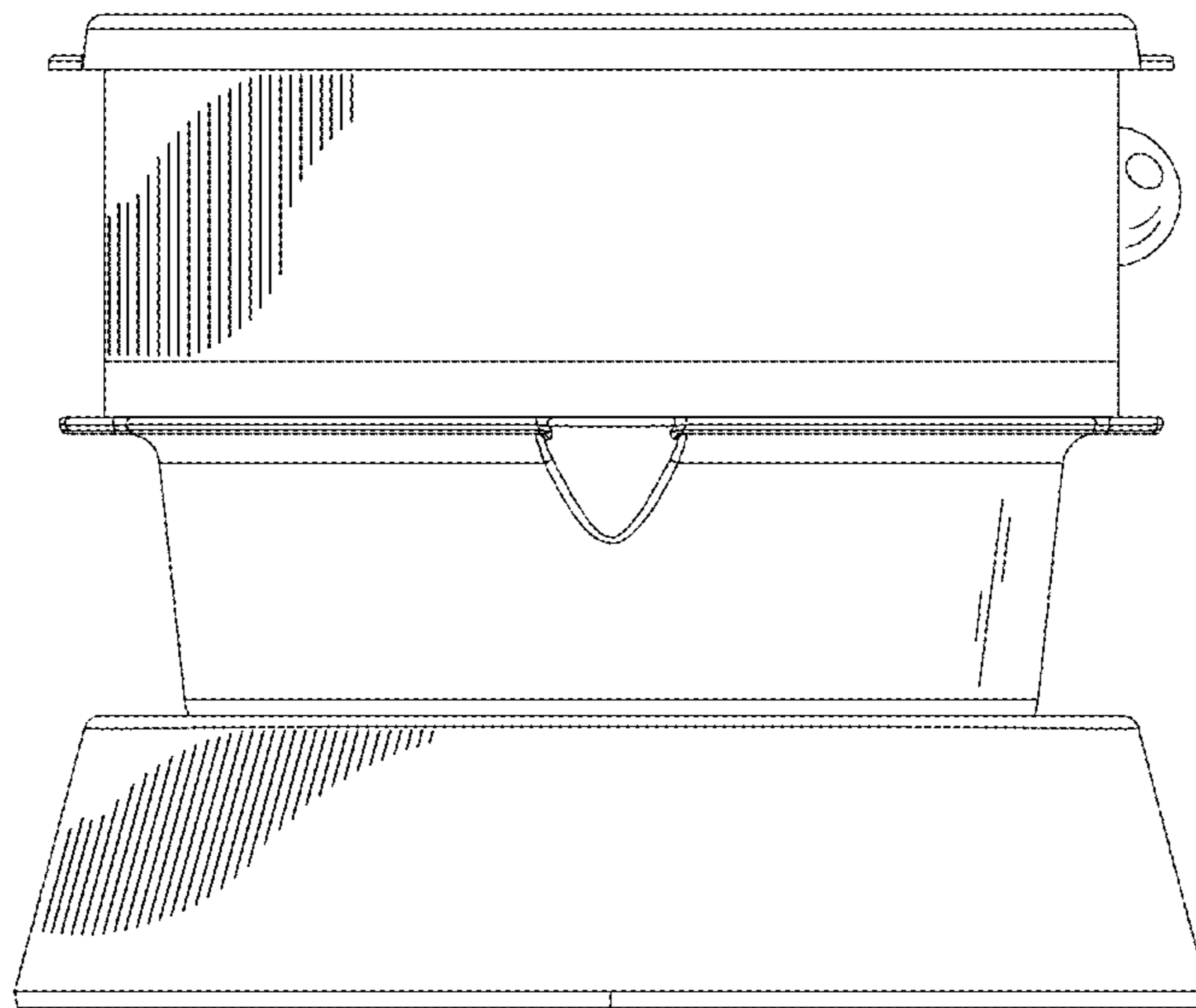


Fig. 5

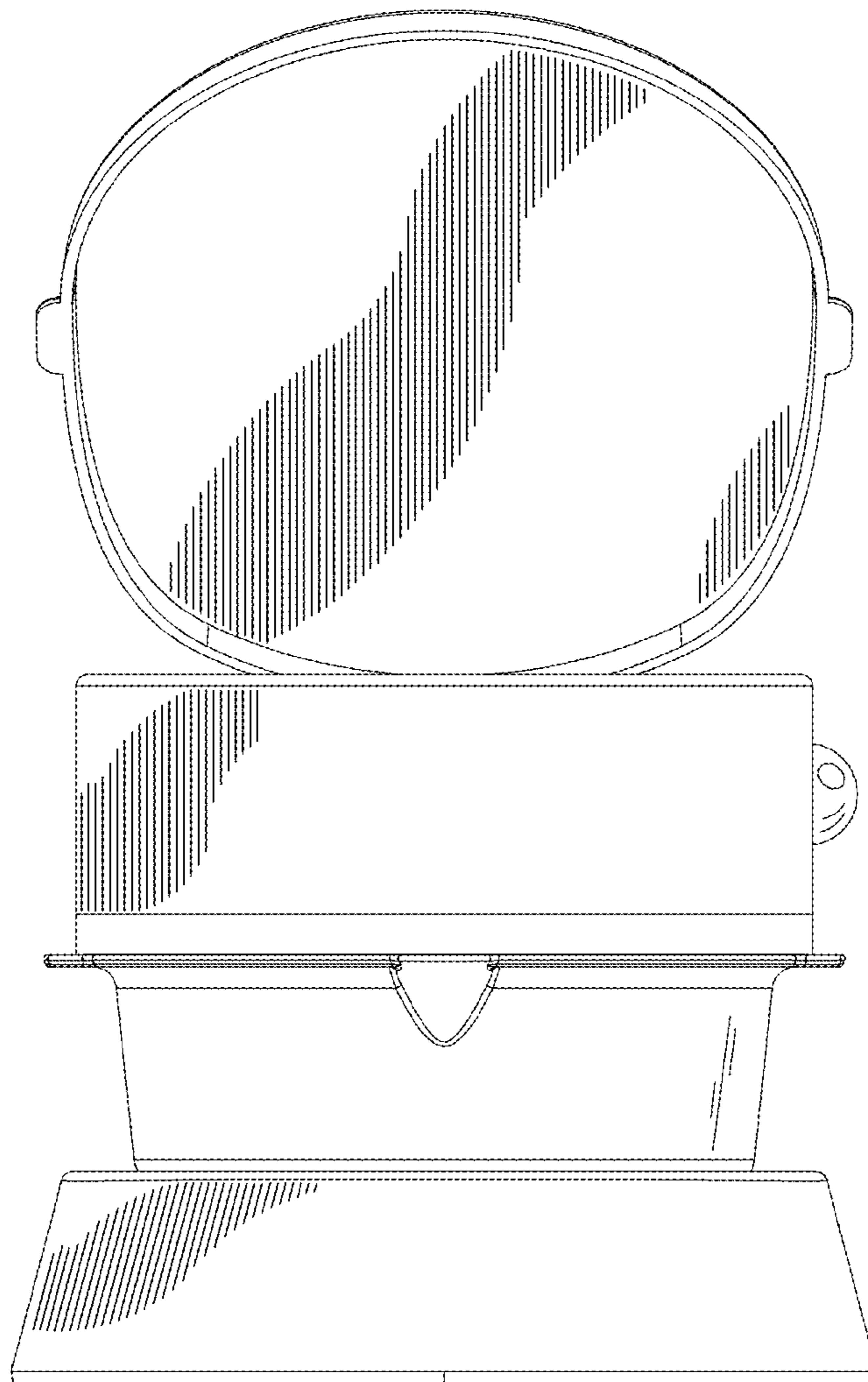


Fig. 6

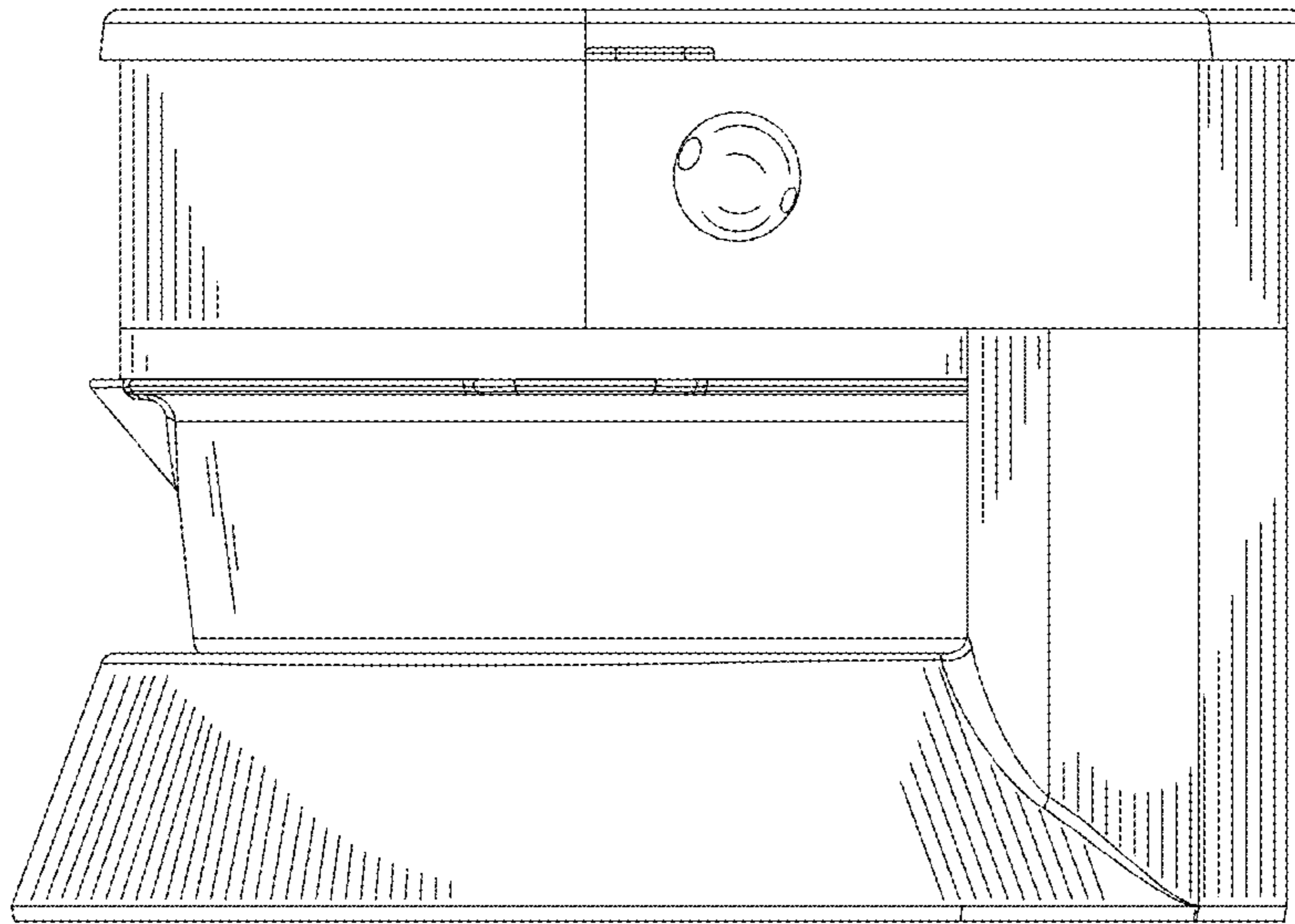


Fig. 7

