



US00D768422S

(12) **United States Design Patent** (10) **Patent No.:** **US D768,422 S**
O'Neal et al. (45) **Date of Patent:** **** Oct. 11, 2016**

(54) **FOOT END SIDERAIL**

FOREIGN PATENT DOCUMENTS

(71) Applicant: **Hill-Rom Services, Inc.**, Batesville, IN (US)

WO WO 2006/058506 6/2006

(72) Inventors: **Todd P. O'Neal**, Fairfield, OH (US);
Robert A. Bossingham, Rushville, IN (US)

OTHER PUBLICATIONS

<http://www.arjohuntleigh.com/int/Product.asp?PageNumber=2571&ProductCategory.sub.--Id=128&Product.sub.--Id=202>,
ArjoHuntleigh, Enterprise 8000 Hospital Bed, Date: No later than Apr. 28, 2009.

(73) Assignee: **Hill-Rom Services, Inc.**, Batesville, IN (US)

(Continued)

(**) Term: **14 Years**

Primary Examiner — Cathron Brooks

(21) Appl. No.: **29/499,165**

(74) *Attorney, Agent, or Firm* — Barnes & Thornburg LLP

(22) Filed: **Aug. 12, 2014**

(51) **LOC (10) Cl.** **06-06**

(52) **U.S. Cl.**
USPC **D6/718.3**

(57) **CLAIM**

The ornamental design for a foot end siderail, as shown and described.

(58) **Field of Classification Search**
USPC D6/382–384, 718, 718.3; D24/183–185
CPC A61G 7/00; A61G 7/02; A61G 7/05;
A61G 7/0506; A61G 7/0507; A61G 13/00
See application file for complete search history.

DESCRIPTION

(56) **References Cited**

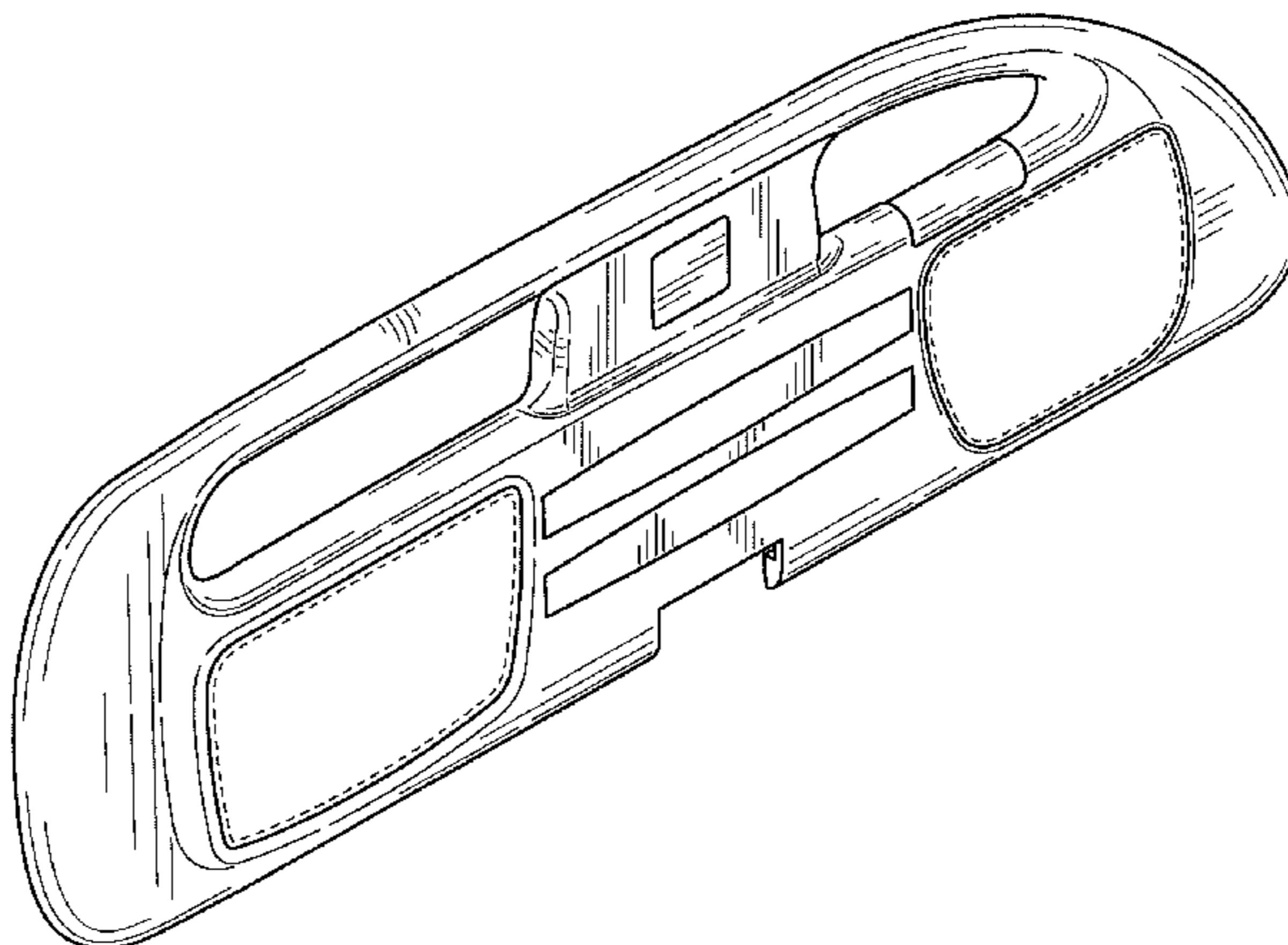
U.S. PATENT DOCUMENTS

421,656 A	2/1890	Blanken
1,700,338 A	1/1929	Scoggins
2,136,088 A	11/1938	Stevens
D158,433 S	5/1950	Bevelacqua
2,587,291 A	2/1952	Rochers
2,722,017 A	11/1955	Burst et al.
2,747,919 A	5/1956	Ferneau et al.
3,018,492 A	1/1962	Rosen
3,321,779 A	5/1967	Kaufman et al.
3,506,989 A	4/1970	Ross et al.
3,585,659 A	6/1971	Burst et al.
D229,381 S	11/1973	Benoit
3,806,109 A	4/1974	Weber et al.
3,905,591 A	9/1975	Schorr et al.
3,932,903 A	1/1976	Adams et al.

FIG. 1 is a top front perspective view of a foot end siderail showing our new design;
FIG. 2 is a front elevation view of the foot end siderail of FIG. 1;
FIG. 3 is a rear elevation view of the foot end siderail of FIG. 1;
FIG. 4 is an end elevation view of a first end of the foot end siderail of FIG. 1;
FIG. 5 is an end elevation view of a second end of the foot end siderail of FIG. 1;
FIG. 6 is a top plan view of the foot end siderail of FIG. 1;
FIG. 7 is a bottom plan view of the foot end siderail of FIG. 1; and,
FIG. 8 is a top rear perspective view of the foot end siderail of FIG. 1.
The broken lines shown in the figures depict environmental subject matter and form no part of the claimed design.

(Continued)

1 Claim, 4 Drawing Sheets



(56)

References Cited

U.S. PATENT DOCUMENTS

D240,867 S	8/1976	Blumberg	6,021,533 A	2/2000	Ellis et al.
D248,406 S	7/1978	Hodge	6,058,531 A	5/2000	Carroll
D249,359 S	9/1978	Stott et al.	6,073,289 A	6/2000	Bolden et al.
4,183,015 A	1/1980	Drew et al.	6,141,806 A	11/2000	Bobey et al.
4,186,456 A	2/1980	Huempfner	D436,474 S	1/2001	Morren
4,214,326 A	7/1980	Spann	6,185,767 B1	2/2001	Brooke et al.
4,215,446 A	8/1980	Mahoney	6,240,580 B1	6/2001	Hamilton et al.
D272,395 S	1/1984	Sonder et al.	6,240,583 B1	6/2001	Brooke et al.
4,439,880 A	4/1984	Koncelik et al.	6,363,552 B1	4/2002	Hornbach et al.
4,592,104 A	6/1986	Foster et al.	6,389,622 B1	5/2002	Her
4,646,211 A	2/1987	Gallant et al.	D458,481 S	6/2002	Brooke
4,653,129 A	3/1987	Kuck et al.	D459,119 S	6/2002	Brooke
D289,951 S	5/1987	Goodwin	D463,179 S	9/2002	Brooke
4,676,687 A	6/1987	Koffler	D479,070 S	9/2003	Goodwin et al.
4,724,555 A	2/1988	Poehner et al.	6,622,364 B2	9/2003	Hamilton et al.
D295,892 S	5/1988	Feldt	6,640,360 B2	11/2003	Hornbach et al.
4,745,647 A	5/1988	Goodwin	D488,941 S	4/2004	Lemire et al.
4,811,435 A	3/1989	Foster et al.	D488,942 S	4/2004	Lemire et al.
D300,657 S	4/1989	Simpkins et al.	6,721,975 B1	4/2004	Lemire
4,827,545 A	5/1989	Arp	6,779,209 B2	8/2004	Ganance
D301,411 S	6/1989	Schlapp	6,951,036 B2	10/2005	Lemire
4,847,929 A	7/1989	Pupovic	7,073,220 B2	7/2006	Simmonds et al.
D304,614 S	11/1989	Guttormsen	7,076,818 B2	7/2006	Kummer et al.
4,912,787 A	4/1990	Bradovich	7,107,637 B2	9/2006	Kuek et al.
4,935,968 A	6/1990	Hunt et al.	7,150,058 B2	12/2006	Rabska
4,985,946 A	1/1991	Foster et al.	D553,382 S	10/2007	Hayes et al.
4,998,939 A	3/1991	Potthast et al.	7,296,312 B2	11/2007	Menkedick
5,023,967 A	6/1991	Ferrand	7,406,731 B2	8/2008	Menkedick
5,035,014 A	7/1991	Blanchard	D583,954 S	12/2008	Genelli
5,072,463 A	12/1991	Willis	7,487,558 B2	2/2009	Risk, Jr. et al.
5,072,906 A	12/1991	Foster	D604,421 S	11/2009	Albrecht et al.
5,077,843 A	1/1992	Dale et al.	D604,422 S	11/2009	Albrecht et al.
5,083,334 A	1/1992	Huck et al.	7,644,457 B2	1/2010	Hensley
5,084,925 A	2/1992	Cook	7,712,166 B2	5/2010	Stryker et al.
5,117,521 A	6/1992	Foster et al.	D616,678 S	6/2010	Heimbrock et al.
5,121,513 A	6/1992	Thomas et al.	D616,679 S	6/2010	Heimbrock et al.
5,129,117 A	7/1992	Celestina et al.	D617,586 S	6/2010	Heimbrock et al.
5,179,744 A	1/1993	Foster et al.	D617,587 S	6/2010	Heimbrock et al.
5,195,200 A	3/1993	Leoutsakos	D617,588 S	6/2010	Heimbrock et al.
D336,577 S	6/1993	Celestina et al.	D617,589 S	6/2010	Heimbrock et al.
D336,578 S	6/1993	Celestina	7,761,939 B2	7/2010	Wiggins et al.
5,216,768 A	6/1993	Bodine et al.	7,784,125 B2	8/2010	Morin et al.
5,269,030 A	12/1993	Pahno et al.	D627,985 S	11/2010	Salus
5,269,388 A	12/1993	Reichow et al.	D628,416 S	12/2010	Heimbrock et al.
D344,802 S	3/1994	Kuck et al.	7,895,689 B2	3/2011	Hayes et al.
5,299,338 A	4/1994	Foster	7,930,778 B2	4/2011	Wu et al.
5,317,769 A	6/1994	Weismiller et al.	D637,020 S	5/2011	Heimbrock et al.
5,337,430 A	8/1994	Schlein	7,962,979 B1	6/2011	Hime
5,337,845 A	8/1994	Foster et al.	D640,887 S	7/2011	Heimbrock et al.
D351,742 S	10/1994	Phleps et al.	7,971,291 B2	7/2011	Stryker et al.
5,370,111 A	12/1994	Reeder et al.	7,986,242 B2	7/2011	Dixon et al.
5,377,371 A	1/1995	Foster	8,143,846 B2	3/2012	Herman et al.
5,381,571 A	1/1995	Gabhart	D656,762 S	4/2012	Fejt
5,394,581 A	3/1995	Leoutsakos	8,205,280 B2	6/2012	Hensley et al.
5,396,673 A	3/1995	Foster	8,266,741 B2	9/2012	Penninger et al.
5,398,357 A *	3/1995	Foster A61G 7/16 5/619	8,296,884 B2	10/2012	Heimbrock
5,398,359 A	3/1995	Foster	8,341,777 B2	1/2013	Hensley et al.
5,454,126 A	10/1995	Foster et al.	8,341,778 B2	1/2013	Heimbrock
5,455,975 A	10/1995	Foster	8,381,337 B2	2/2013	Zerhusen et al.
5,461,673 A	10/1995	Coons	8,387,179 B2	3/2013	Metz et al.
5,479,666 A	1/1996	Foster et al.	8,413,270 B2	4/2013	Turner et al.
5,481,772 A	1/1996	Glynn et al.	D707,483 S *	6/2014	Heimbrock D6/718.3
5,513,406 A	5/1996	Foster et al.	D710,507 S	8/2014	Leng et al.
5,542,138 A	8/1996	Williams et al.	D710,509 S	8/2014	Leng et al.
5,577,277 A	11/1996	Sundberg et al.	D710,510 S	8/2014	Leng et al.
5,586,346 A	12/1996	Stacy et al.	2002/0002742 A1	1/2002	Osborne et al.
5,623,736 A	4/1997	Soltani et al.	2004/0177443 A1 *	9/2004	Simmonds A47C 19/045 5/428
5,682,631 A	11/1997	Weismiller et al.	2005/0172405 A1	8/2005	Menkedick et al.
5,689,839 A	11/1997	Laganieri et al.	2006/0038098 A1	2/2006	Metz
5,732,423 A	3/1998	Weismiller et al.	2006/0059621 A1	3/2006	Poulos
5,774,914 A	7/1998	Johnson et al.	2006/0075560 A1	4/2006	Osborne et al.
5,781,945 A	7/1998	Scherer et al.	2006/0168729 A1	8/2006	Weismiller et al.
5,802,636 A	9/1998	Corbin et al.	2007/0050910 A1	3/2007	Blanchard et al.
5,906,017 A	5/1999	Ferrand et al.	2007/0130692 A1	6/2007	Lemire et al.
			2007/0163043 A1	7/2007	Lemire et al.
			2007/0169268 A1	7/2007	Lemire et al.
			2007/0174965 A1	8/2007	Lemire et al.
			2007/0294828 A1	12/2007	Hornbach et al.

(56)

References Cited

U.S. PATENT DOCUMENTS

2008/0005838	A1	1/2008	Wan Fong et al.	
2009/0031498	A1	2/2009	Girard et al.	
2009/0119839	A1	5/2009	Guguin	
2009/0188731	A1	7/2009	Zerhusen et al.	
2009/0229049	A1*	9/2009	Heimbrock	A61G 7/015 5/425
2009/0229050	A1	9/2009	Heimbrock	
2011/0010861	A1	1/2011	Heimbrock et al.	
2011/0030141	A1*	2/2011	Soderberg	A61G 7/015 5/600
2011/0191957	A1	8/2011	Hornbach et al.	
2011/0214234	A1	9/2011	Herman	
2011/0231996	A1	9/2011	Lemire et al.	
2011/0258779	A1	10/2011	Derenne et al.	
2011/0277242	A1	11/2011	Dionne et al.	
2012/0151678	A1	6/2012	Richards	
2013/0019405	A1	1/2013	Flanagan et al.	
2013/0019406	A1*	1/2013	Riley	A61B 5/0816 5/600

OTHER PUBLICATIONS

<http://www.arjohuntleigh.com/int/Product.asp?pagenumber=2571&Product.sub.--Id=291&ProductCategory.sub.--Id=128>, ArjoHuntleigh, Enterprise 9000 Hospital Bed, Date: No later than Apr. 28, 2009.

<http://www.arjohuntleigh.com/int/ProductDetails.asp?PageNumber=2571&ProductCategory.sub.--Id=128&Product.sub.--Id=291>, ArjoHuntleigh, Enterprise 9000—Product Details—Nurse Handset, Date: No later than Apr. 28, 2009.

<http://www.arjohuntleigh.com/int/ProductDetails.asp?PageNumber=2571&ProductCategory.sub.--Id=128&Product.sub.--Id=291>, ArjoHuntleigh, Enterprise 9000—Product Details—Plug in controls allow for easy changes, Date: No later than Apr. 28, 2009.

Photo # 1297 (Hill-Rom Clinitron Rite-Hite), Date: No later than Feb. 14, 2009.

Photo # 1299 (Hill-Rom 1000), Date: No later than Feb. 14, 2009.

Photo # 1304 (Hill-Rom Efica CC), Date: No later than Dec. 1994.

Photo # 1305 (Hill-Rom Clinitron Elexis), Date: No later than Dec. 1993.

Photo # 1306 (Hill-Rom Clinitron Elexis), Date: No later than Dec. 1993.

Photo # 1307 (Hill-Rom Affinity), Date: No later than Feb. 14, 2009.

Photo # 1309 (Hill-Rom Clinitron), Date: No later than Feb. 14, 2009.

Med/Surg “Go Bed +”; 2 page product brochure; Stryker Medical, copyright Jan. 2002.

No. 21-75 Grouping/Early American finished in No. 28 Maple, Hill-Rom, 1962, 1 page.

No. 16-75 Grouping/Italian Provincial finished in No. 69 Cathedral Oak, Hill-Rom, 1962, 1 page.

No. 2101-1 Grouping/Early American finished in No. 28 Maple, Hill-Rom, 1962, 1 page.

The Advance 2000® Bed from Hill-Rom, Hill-Rom 1993, 18 pages.

A Hill-Rom Solution Affinity II Bed, Hill-Rom 1996, 6 pages.

Affinity® Three Birthing Bed, Hill-Rom Services, Inc. 2000, 2 pages.

TotalCare® Connect Bed and TotalCare® Bed, Options and Accessories, Hill-Rom Services, Inc. 2008, 8 pages.

Hill-Rom® Med-Surg Beds Traction Catalog Part Descriptions and Ordering Information, Hill-Rom Services, Inc. 2007, 12 pages.

User Manual TotalCare® Bed System from Hill-Rom, Product No. P1900-00, Hill-Rom Services, Inc. 2000, 64 pages.

A Hill-Rom Solution Totalcare Bed System, Hill-Rom 1998, 8 pages.

* cited by examiner

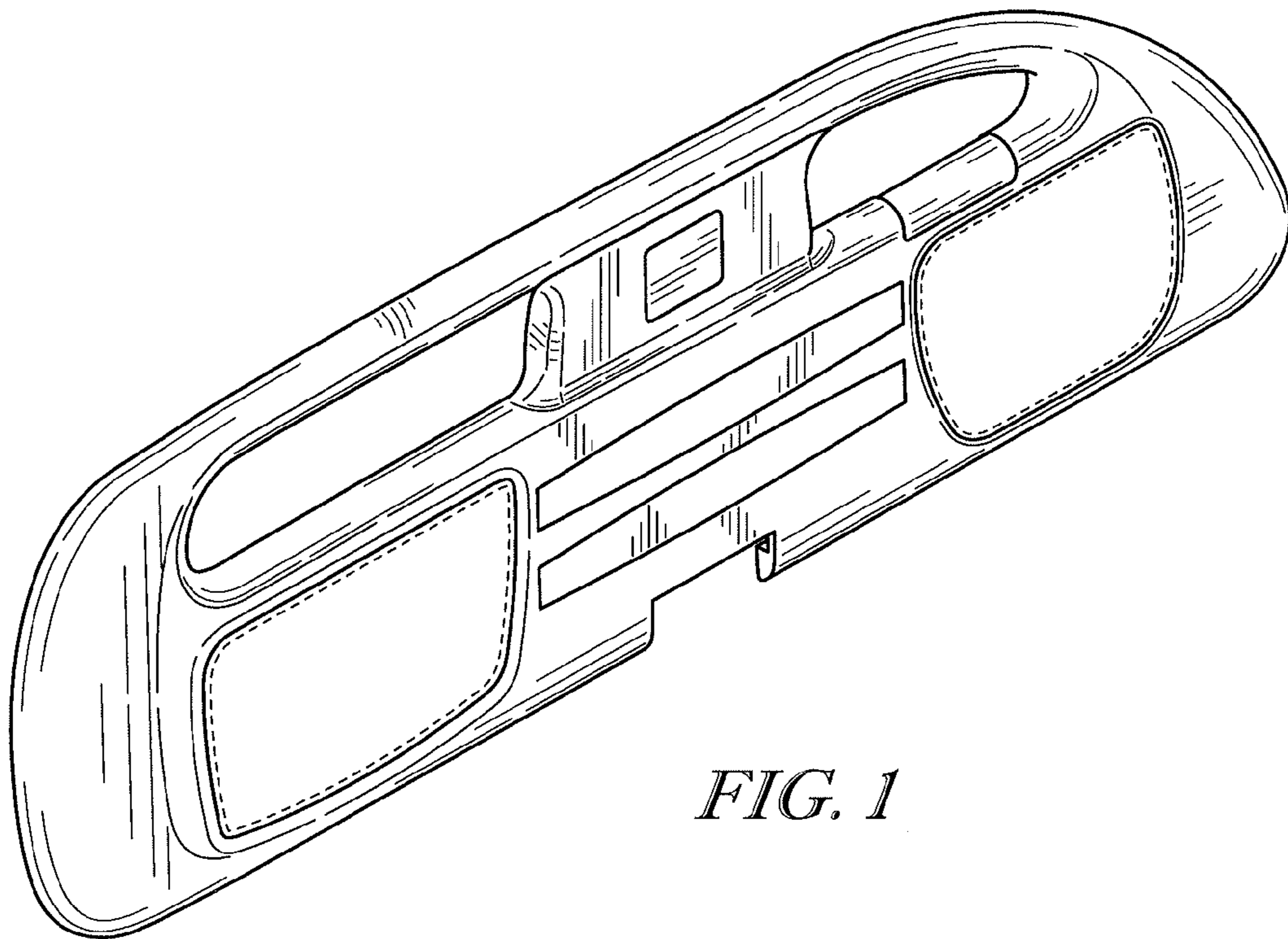


FIG. 1

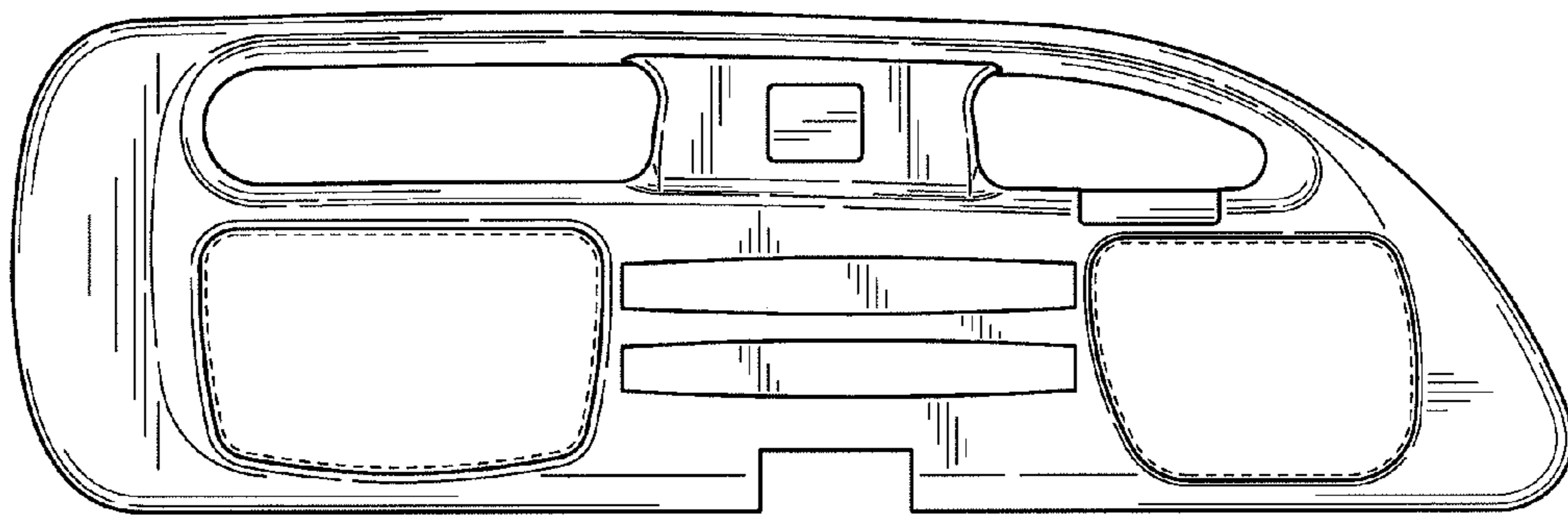


FIG. 2

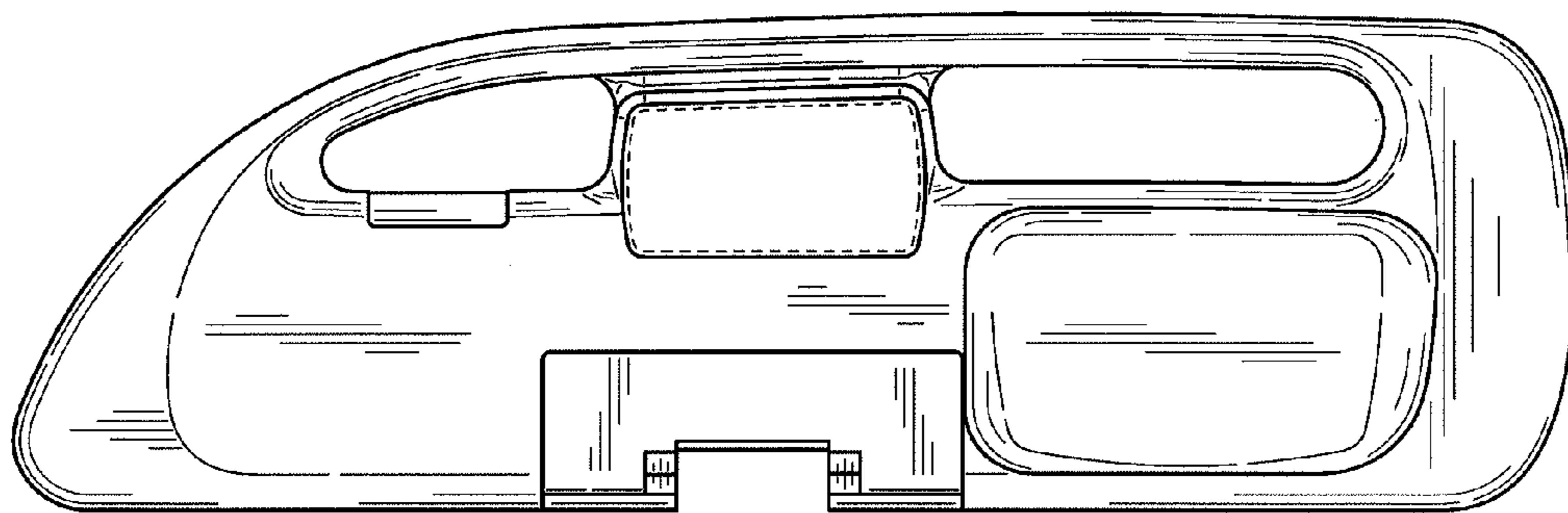


FIG. 3



FIG. 4



FIG. 5

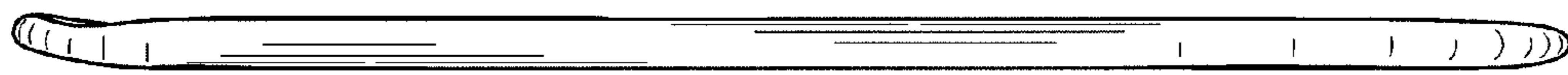


FIG. 6



FIG. 7

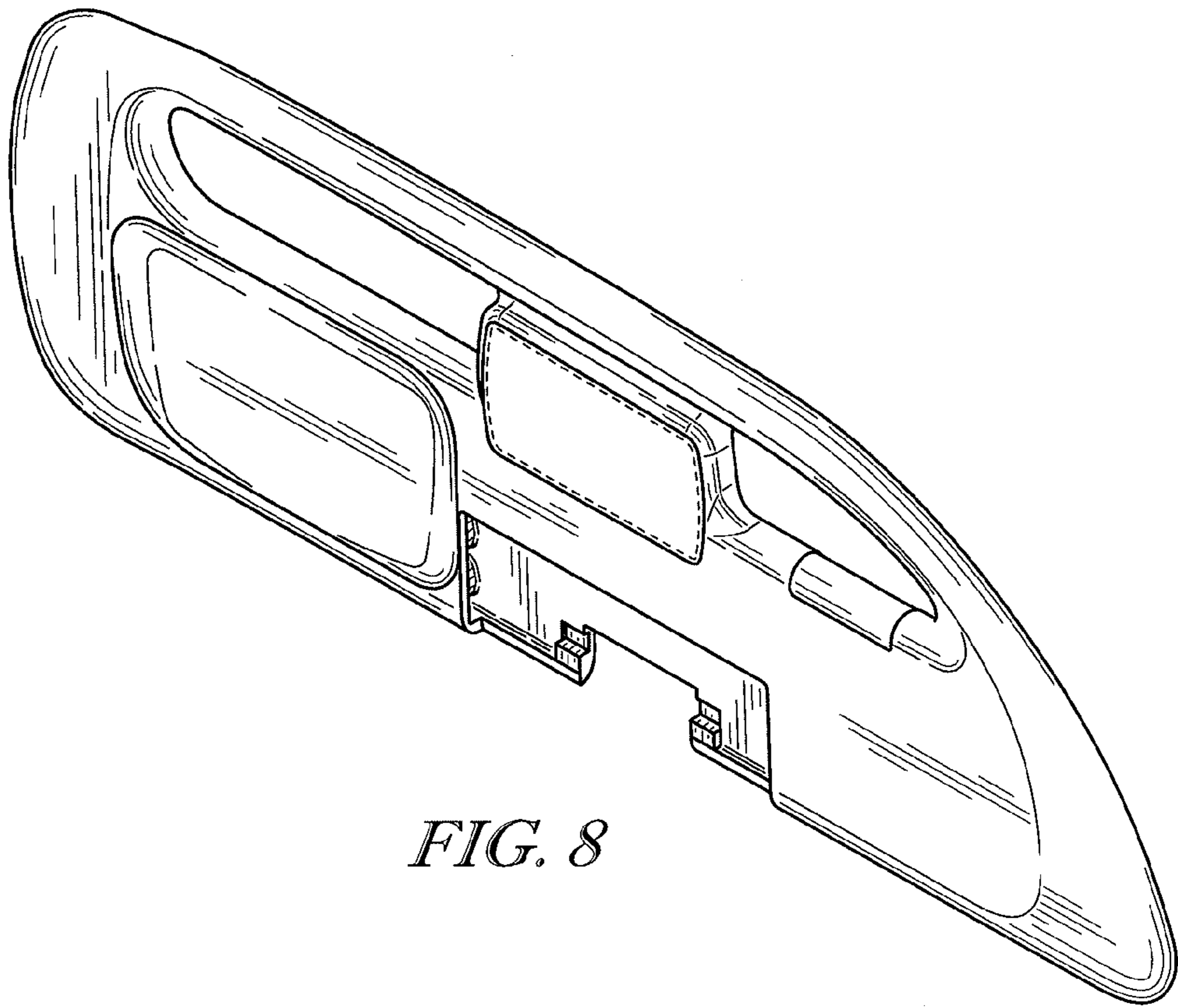


FIG. 8