



US00D768421S

(12) **United States Design Patent**  
**Kubryk**

(10) **Patent No.:** **US D768,421 S**

(45) **Date of Patent:** **\*\* Oct. 11, 2016**

(54) **TASK CHAIR**

(71) Applicant: **Isaac Kubryk**, Lockeford, CA (US)

(72) Inventor: **Isaac Kubryk**, Lockeford, CA (US)

(73) Assignee: **Global Allies, LLC**, Lockeford, CA (US)

(\*\*) Term: **15 Years**

(21) Appl. No.: **29/543,828**

(22) Filed: **Oct. 28, 2015**

(51) **LOC (10) Cl.** ..... **06-01**

(52) **U.S. Cl.**  
USPC ..... **D6/716**

(58) **Field of Classification Search**

USPC ..... D6/334-336, 364, 365, 366, 371-375,  
D6/379, 380, 716, 716.1, 716.2, 716.4

CPC ..... A47C 4/02; A47C 4/03; A47C 7/18;  
A47C 3/12; A47C 5/12; A47C 7/54

See application file for complete search history.

(56) **References Cited**

**U.S. PATENT DOCUMENTS**

2,845,699 A \* 8/1958 Woodard ..... A47C 3/12  
29/445

3,408,106 A \* 10/1968 Bolling ..... A47C 5/12  
297/452.14

D648,158 S \* 11/2011 Kubryk ..... D6/366

D660,054 S *	5/2012 Kane	.....	D6/716
D660,055 S *	5/2012 Kane	.....	D6/716
D664,381 S *	7/2012 Kubryk	.....	D6/366
D683,171 S *	5/2013 Kubryk	.....	D6/366
D729,563 S *	5/2015 Kubryk	.....	D6/716
D730,098 S *	5/2015 Kubryk	.....	D6/716
D752,889 S *	4/2016 Bench	.....	D6/366
D762,407 S *	8/2016 Kubryk	.....	D6/716

\* cited by examiner

*Primary Examiner* — Mimoso De

(74) *Attorney, Agent, or Firm* — Audrey A. Millemann;  
Weintraub Tobin

(57) **CLAIM**

The ornamental design for a task chair, as shown and described.

**DESCRIPTION**

FIG. 1 is a perspective view of a task chair, looking toward the right front corner, showing my new design;

FIG. 2 is a front view thereof;

FIG. 3 is a right side view thereof;

FIG. 4 is a back view thereof;

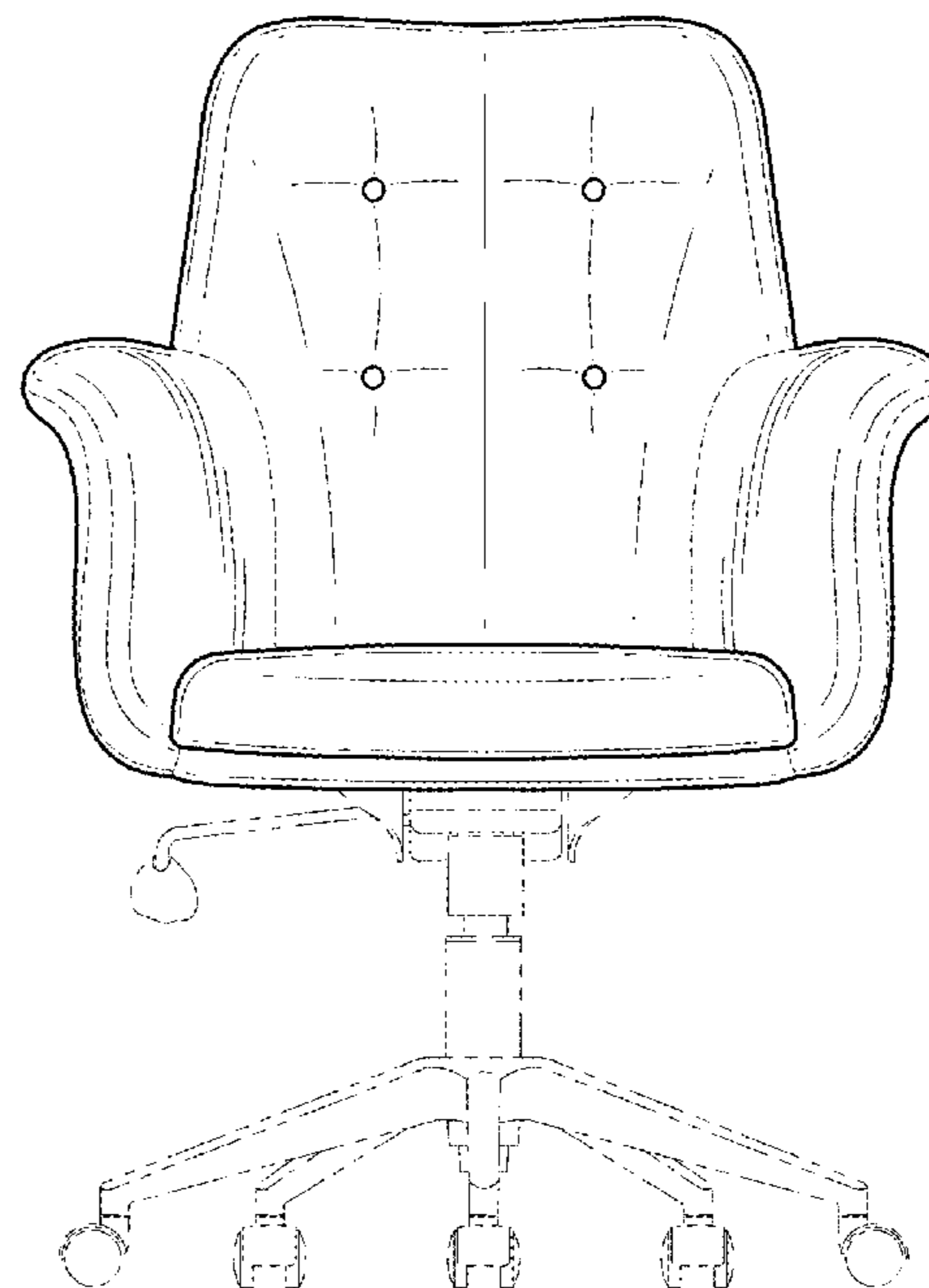
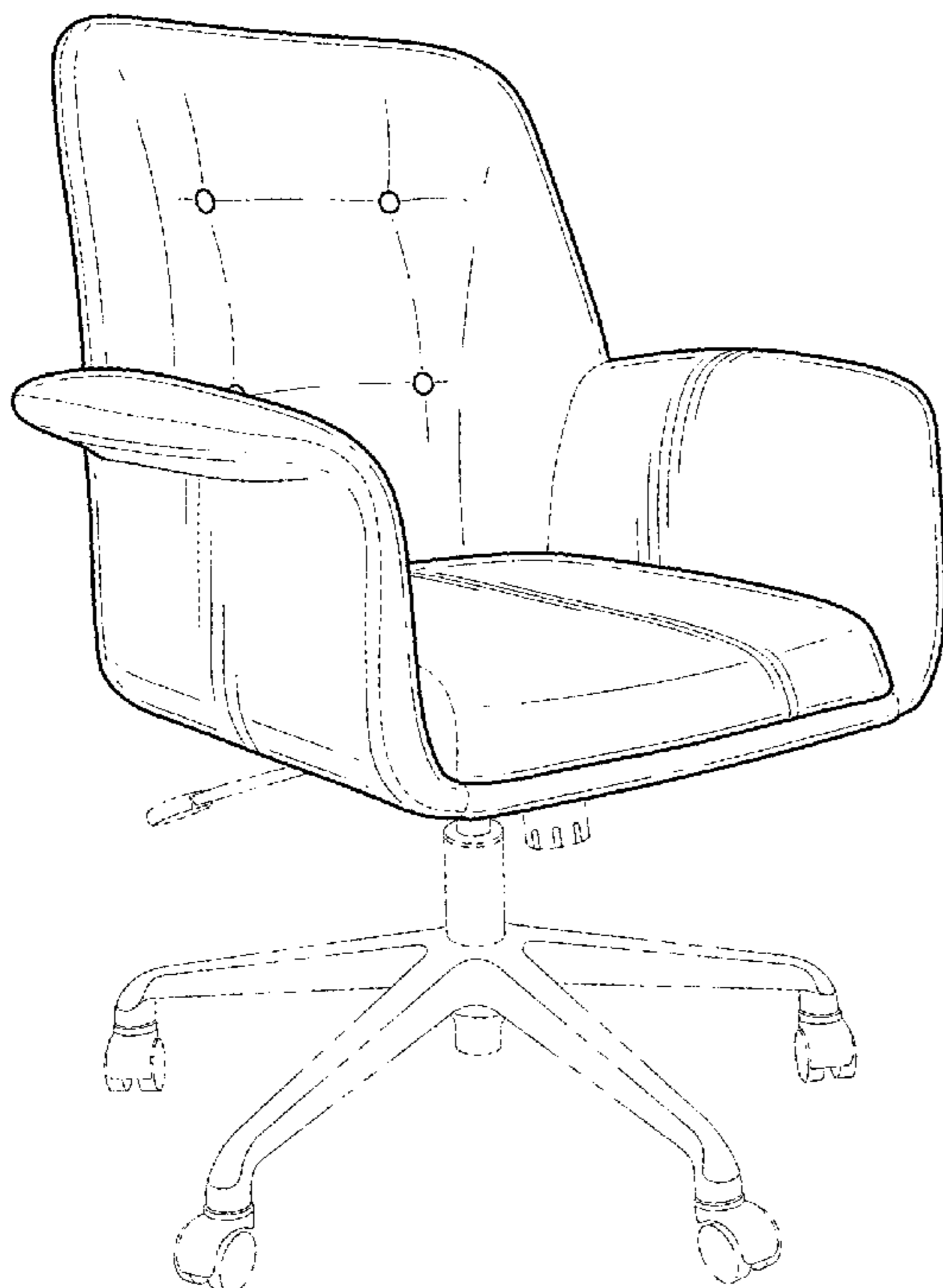
FIG. 5 is a top view thereof; and,

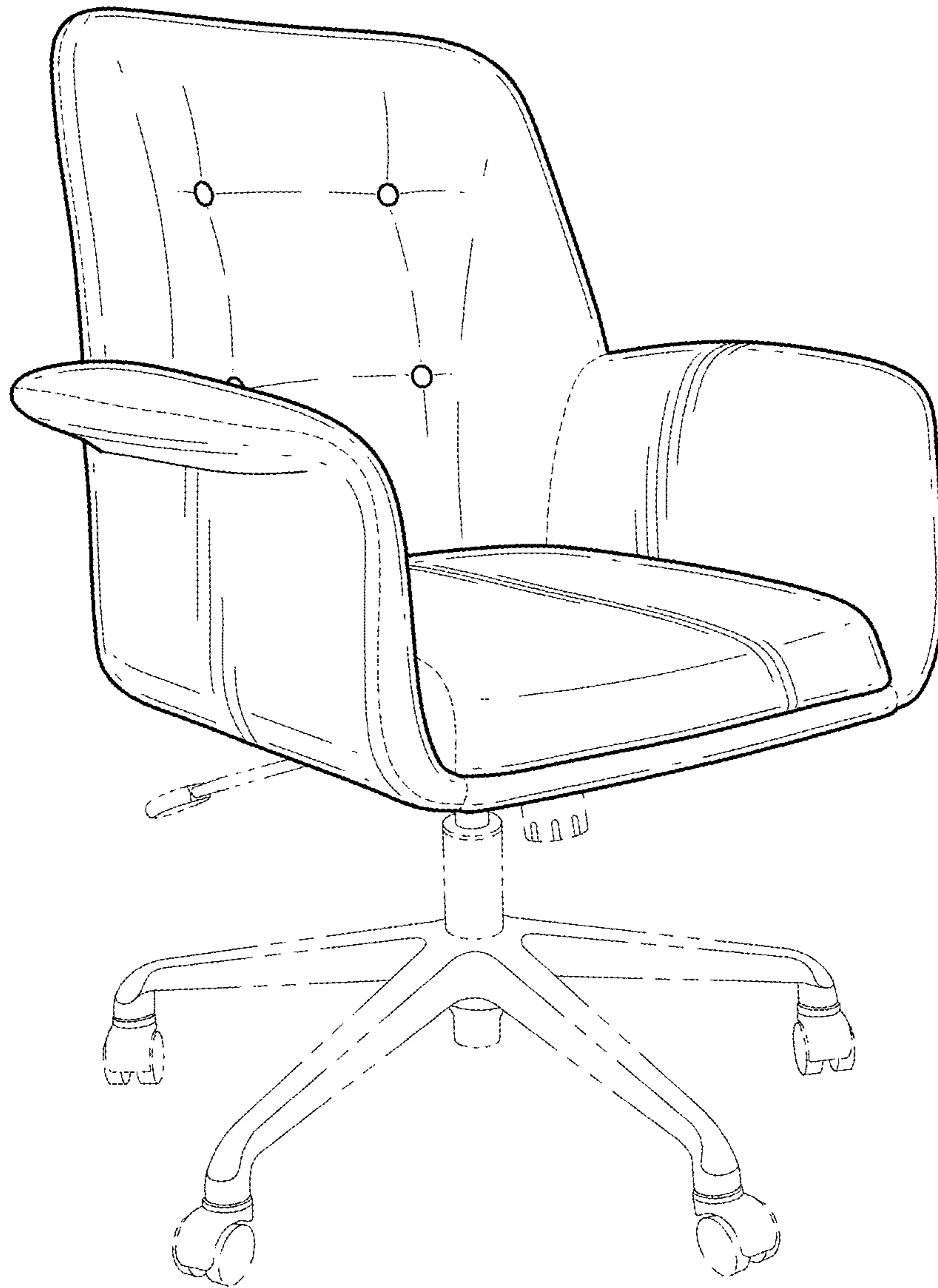
FIG. 6 is a bottom view thereof.

The broken lines shown in the drawing are for illustrative purposes only and form no part of the claimed design.

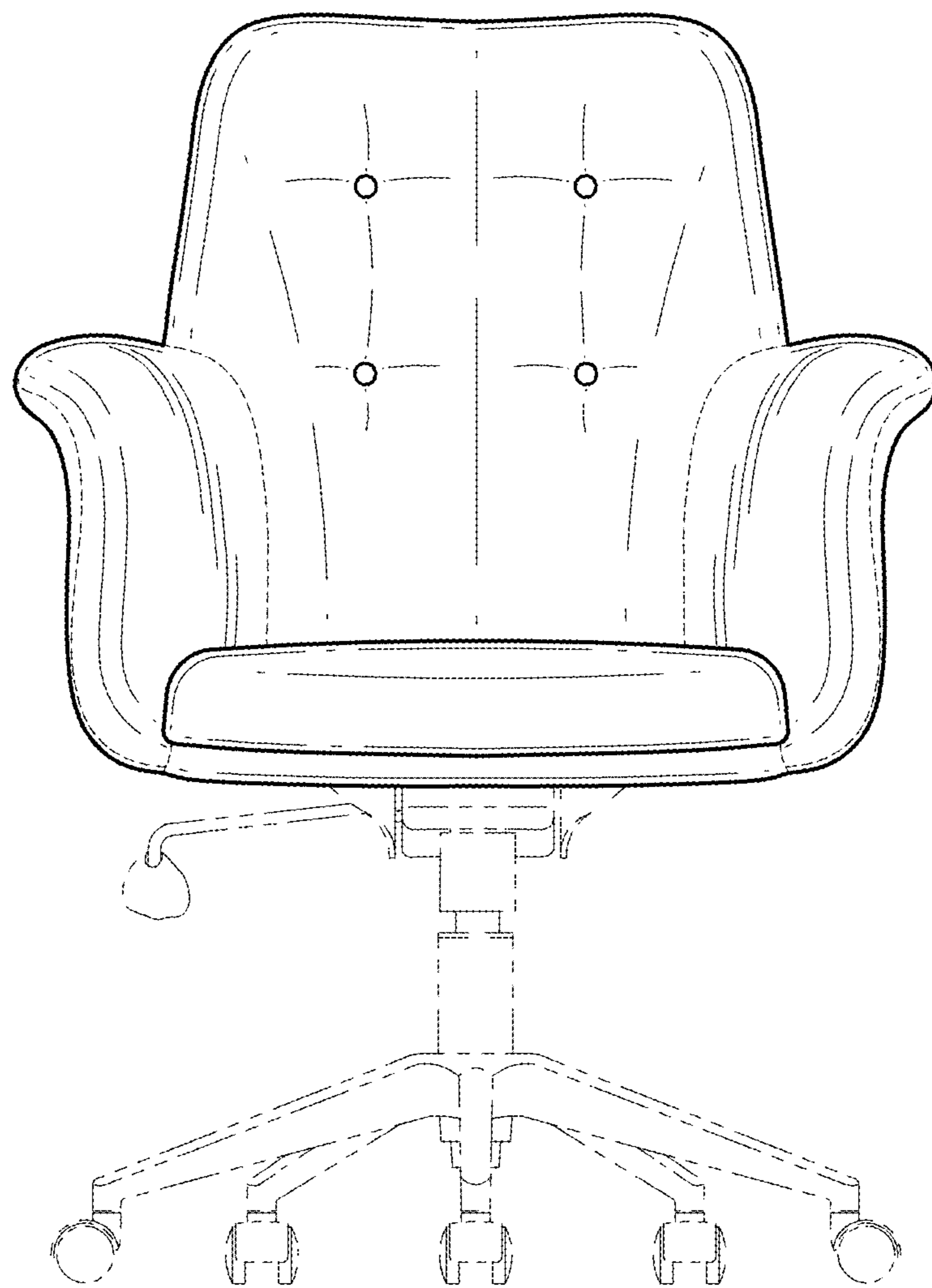
The short even dashed lines shown on the seat, backrest, and armrests in FIGS. 1, 2, 3 and 4 are understood to represent stitching.

**1 Claim, 5 Drawing Sheets**

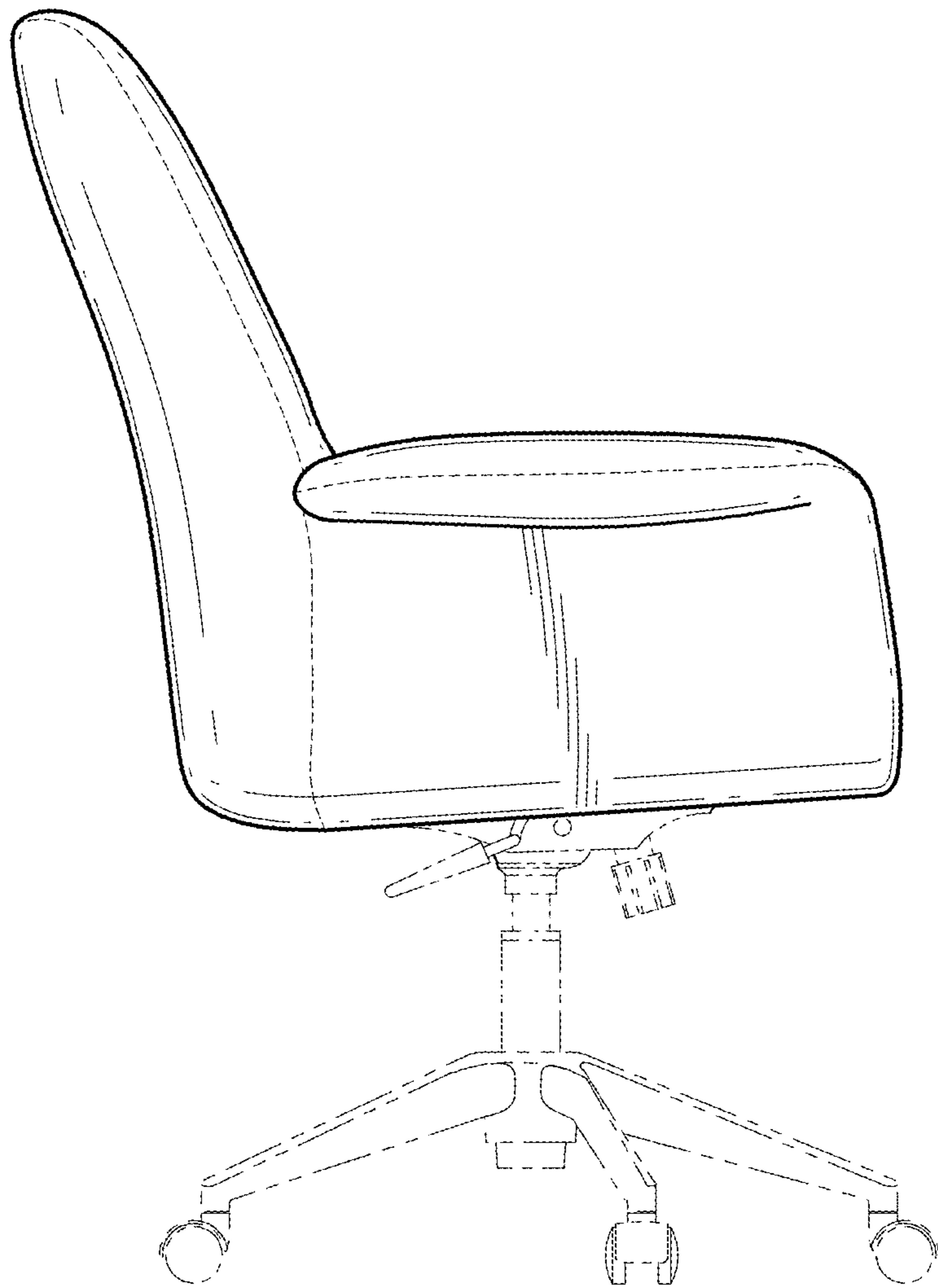




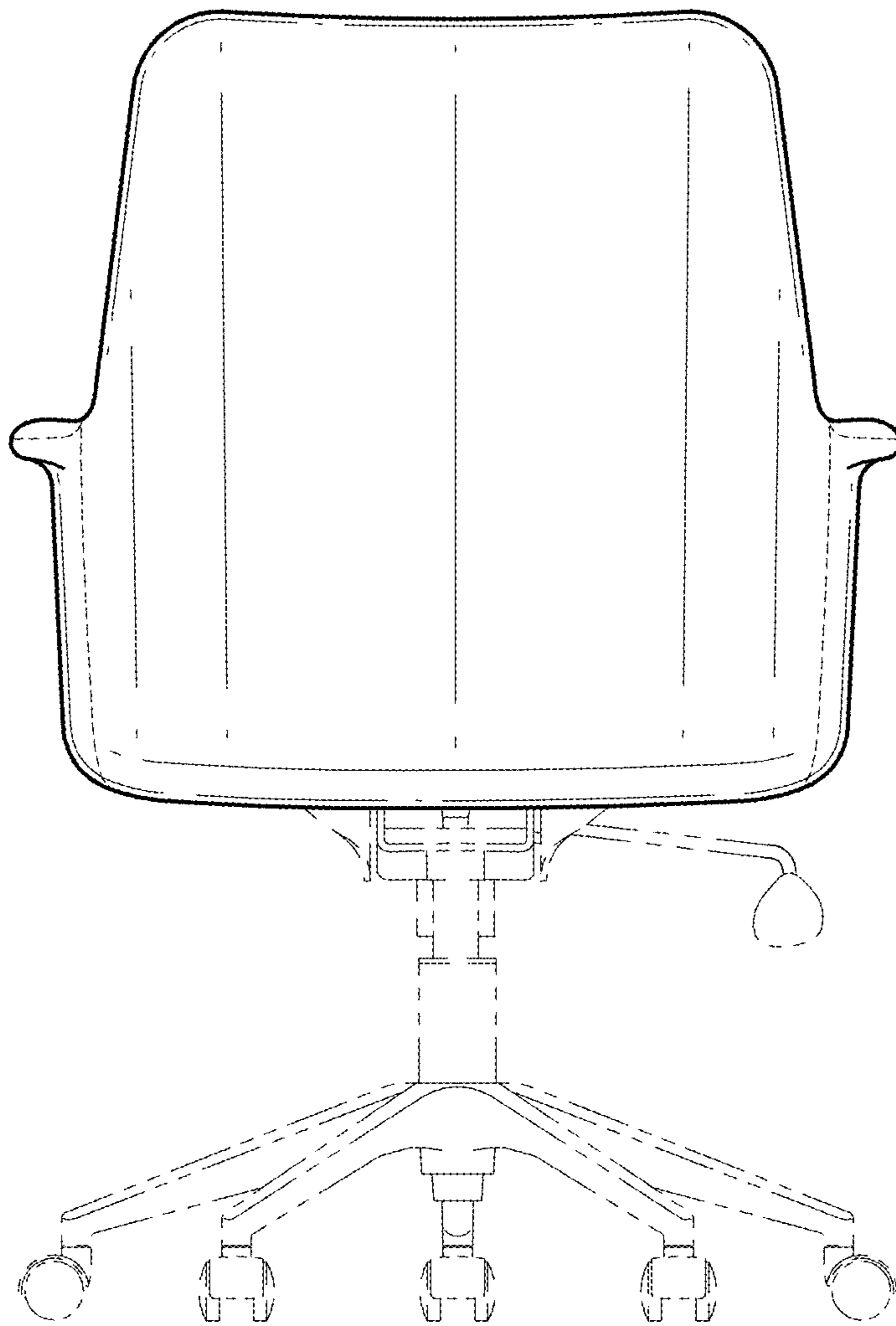
**FIG. 1**



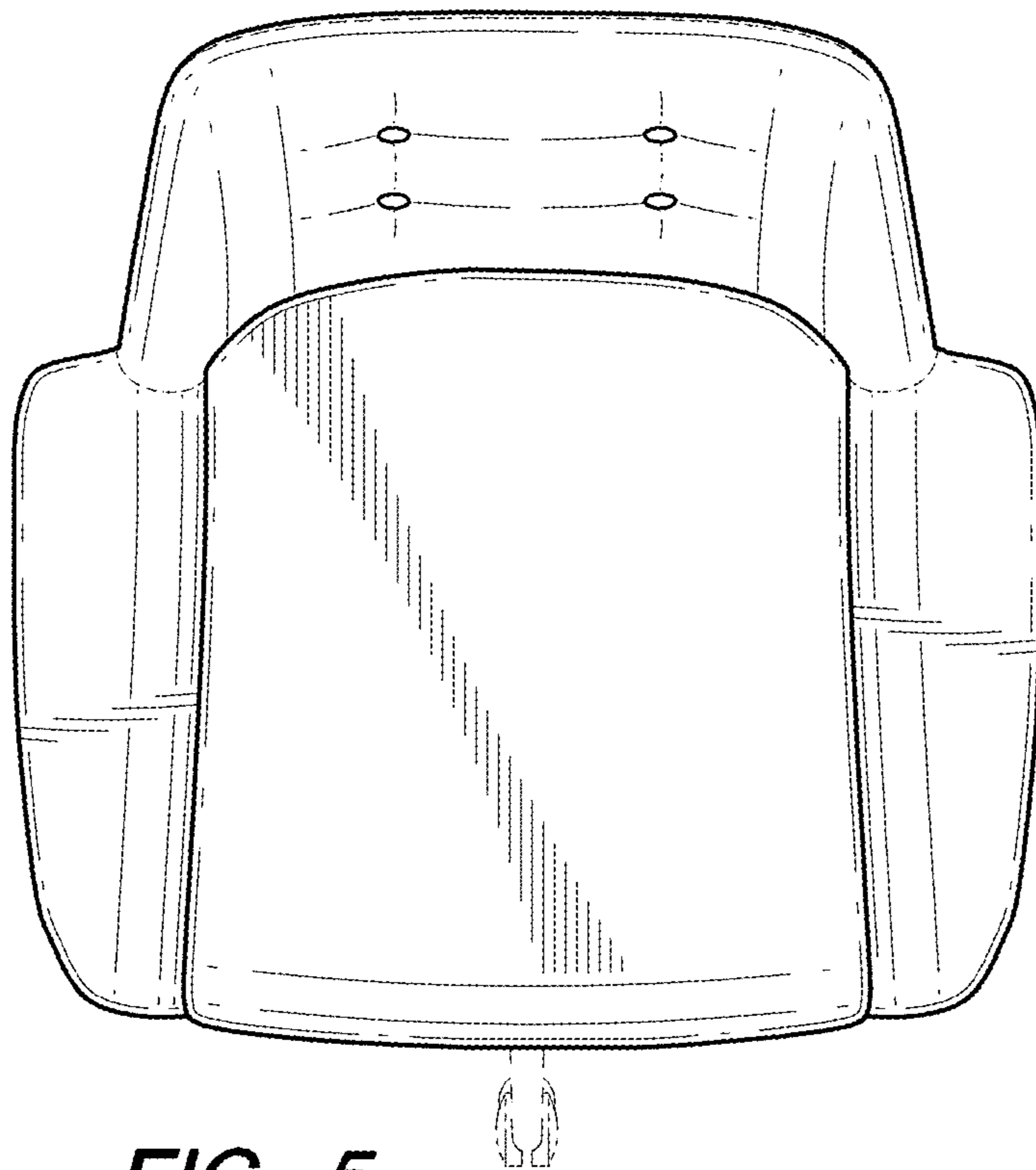
**FIG. 2**



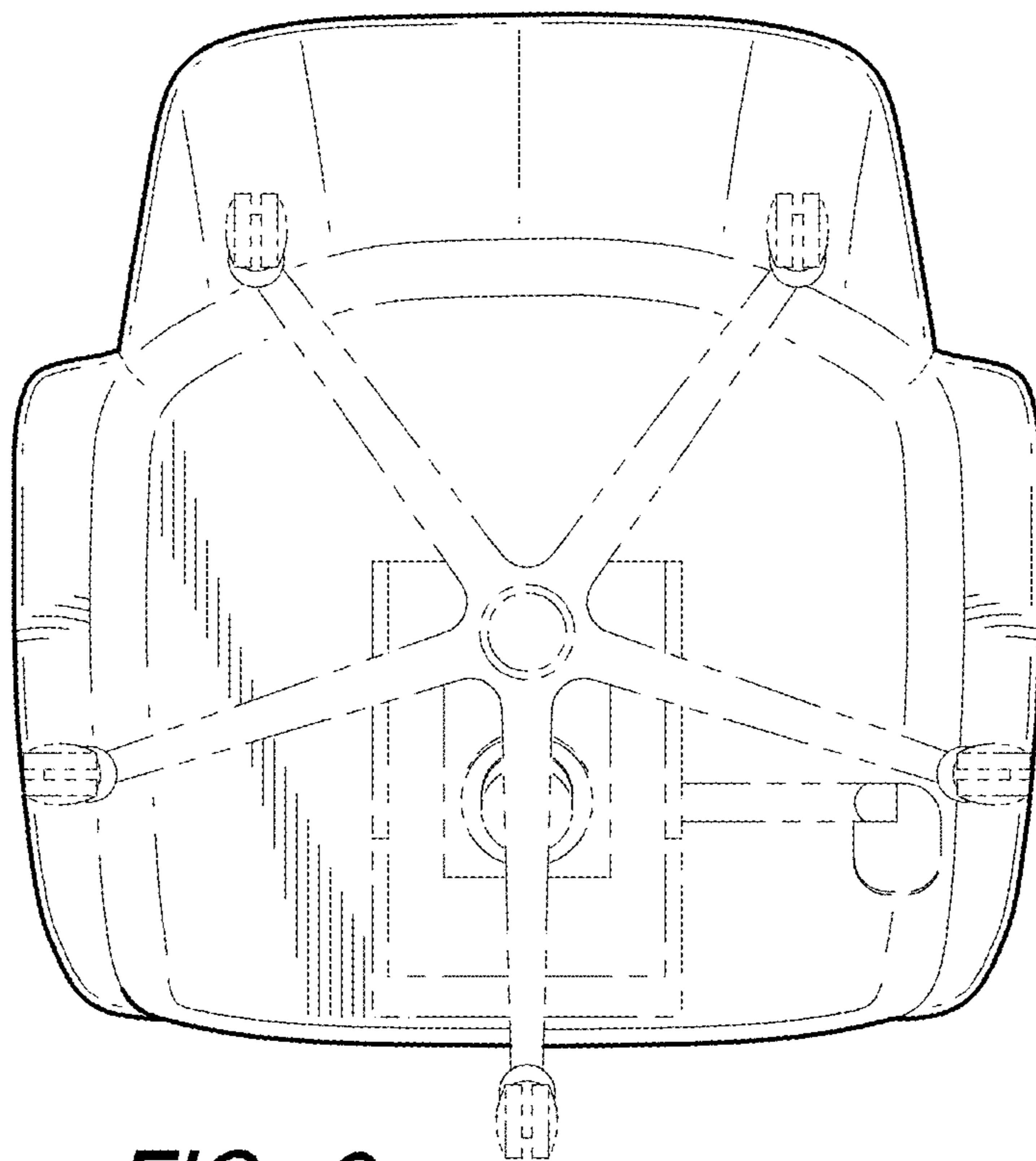
**FIG. 3**



**FIG. 4**



**FIG. 5**



**FIG. 6**