



US00D768420S

(12) **United States Design Patent** (10) **Patent No.:** **US D768,420 S**  
**Simmons et al.** (45) **Date of Patent:** **\*\* Oct. 11, 2016**

- (54) **TOE KICK**
- (71) Applicant: **ConXtech, Inc.**, Pleasanton, CA (US)
- (72) Inventors: **Robert J. Simmons**, Hayward, CA (US); **Maxwell C. Simmons**, Hayward, CA (US); **Daniel R. Hester**, Oakland, CA (US)
- (73) Assignee: **ConXtech, Inc.**, Pleasanton, CA (US)

- 3,396,499 A 8/1968 Biffani
- 3,401,739 A 9/1968 Opletal
- 3,410,044 A 11/1968 Moog
- 3,533,592 A 10/1970 Jennings
- 3,562,988 A 2/1971 Gregoire

(Continued)

**FOREIGN PATENT DOCUMENTS**

- DE 2758992 A1 7/1979
- DE 102009050139 A1 4/2011

(Continued)

- (\*\*) Term: **14 Years**
- (21) Appl. No.: **29/522,398**

**OTHER PUBLICATIONS**

ConXtech, 'ConX Modular Pipe Rack' [online], Jan. 6, 2013, Retrieved from the internet: <<http://www.conxtech.com/conx-system/conx-modular-pipe-rack/>>, p. 1, figure 1, paragraphs 1, 2; p. 2, paragraph 1; 3 pages.

(Continued)

- (22) Filed: **Mar. 30, 2015**
- (51) **LOC (10) Cl.** ..... **06-06**
- (52) **U.S. Cl.**  
USPC ..... **D6/703**
- (58) **Field of Classification Search**  
USPC ..... D6/703, 708, 708.25, 705; D8/354, D8/382, 380; D25/61, 48.2, 55, 60, D25/119-125, 136; 312/278, 198, 228  
CPC .... A47B 95/002; A47B 67/00; A47B 81/00; A47B 81/061; A47B 81/062; A47B 81/064  
See application file for complete search history.

*Primary Examiner* — Susan Bennett Hattan  
*Assistant Examiner* — Rebecca Tsehaye  
(74) *Attorney, Agent, or Firm* — Kolisch Hartwell, P.C.

- (57) **CLAIM**  
The ornamental design for a toe kick, as shown.

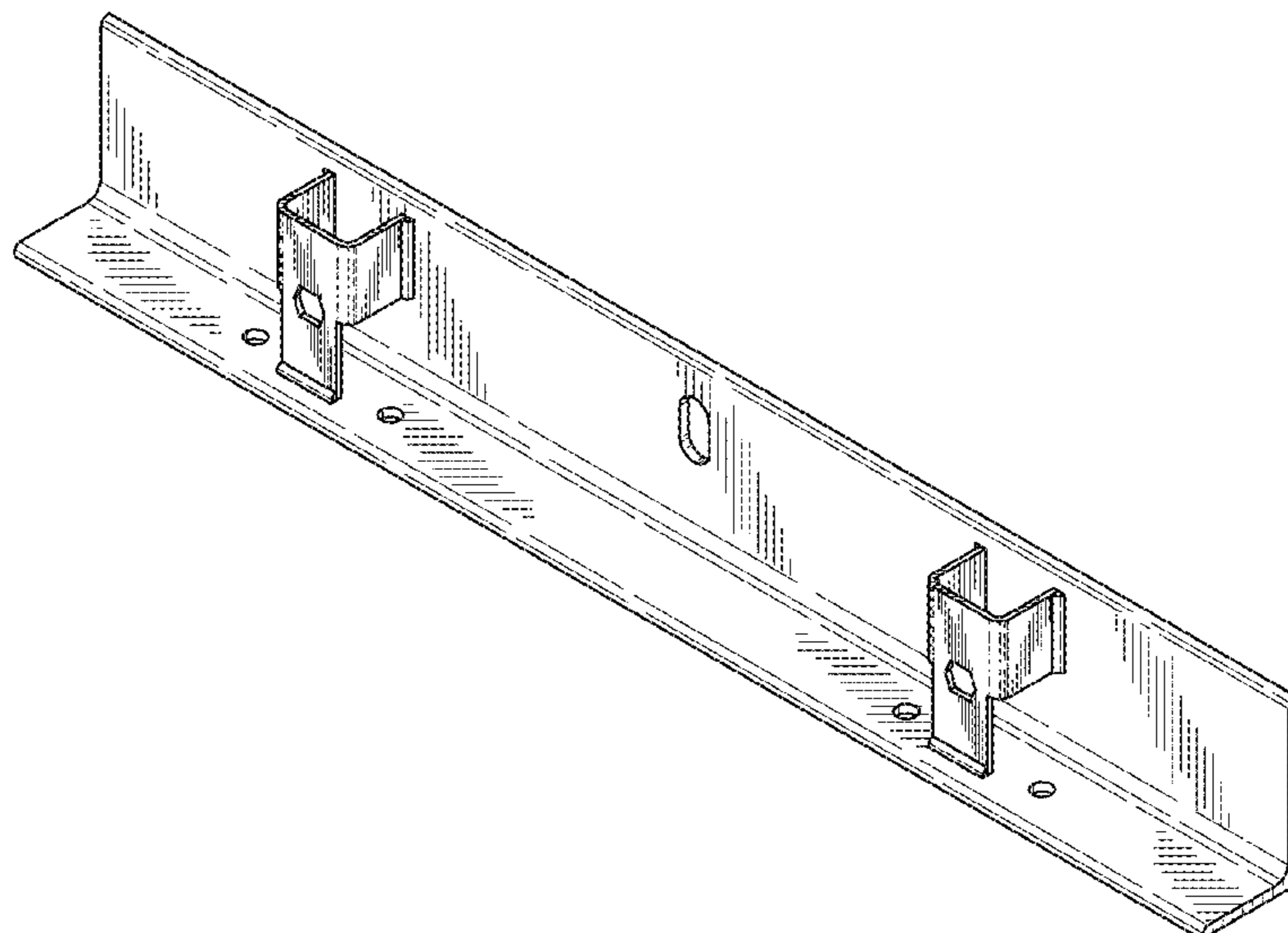
(56) **References Cited**  
U.S. PATENT DOCUMENTS

**DESCRIPTION**

- 835,059 A 11/1906 Curley
- 925,677 A 6/1909 Belcher
- 1,110,185 A 9/1914 Brown et al.
- 1,367,044 A 2/1921 Hausler
- 1,400,066 A 12/1921 Huck
- 1,471,094 A 10/1923 Bloss
- 1,729,743 A 10/1929 Jorgensen et al.
- 2,008,087 A 7/1935 Stromberg
- 2,569,653 A 10/1951 Boedecker
- 2,673,700 A 3/1954 Eberhardt
- 3,071,205 A 1/1963 Beck, Jr.
- 3,148,477 A 9/1964 Bjorn et al.
- 3,270,997 A 9/1966 Gethmann

FIG. 1 is an isometric view of a toe kick showing my new design;  
FIG. 2 is an enlarged left side view thereof;  
FIG. 3 is a top view thereof;  
FIG. 4 is a bottom view thereof;  
FIG. 5 is a front view thereof; and,  
FIG. 6 is a rear view thereof.  
The shading lines shown in the drawings represent the approximate three-dimensional contour of the design, and are not intended to indicate surface decoration.

**1 Claim, 2 Drawing Sheets**



(56)

References Cited

U.S. PATENT DOCUMENTS

3,684,011 A 8/1972 Presley et al.  
 3,685,866 A 8/1972 Patenaude  
 3,706,169 A 12/1972 Rensch  
 3,784,151 A 1/1974 Steele  
 3,829,999 A 8/1974 Bernstein  
 3,977,801 A 8/1976 Murphy  
 4,019,298 A 4/1977 Johnson, IV  
 4,059,931 A 11/1977 Mongan  
 4,290,660 A \* 9/1981 Brezosky ..... A47B 95/002  
 312/249.8  
 4,306,397 A 12/1981 Ramseyer  
 4,360,230 A 11/1982 Wood et al.  
 4,438,607 A 3/1984 Nelson  
 4,522,001 A 6/1985 Meyer  
 4,577,449 A 3/1986 Celli  
 4,684,285 A 8/1987 Cable  
 4,701,131 A 10/1987 Hildebrandt et al.  
 4,736,554 A 4/1988 Tyler  
 4,742,665 A 5/1988 Baierl  
 4,754,712 A 7/1988 Olson et al.  
 4,821,844 A 4/1989 Huffman et al.  
 4,830,144 A 5/1989 Werner  
 4,852,501 A 8/1989 Olson et al.  
 4,905,436 A 3/1990 Matsuo et al.  
 5,061,111 A 10/1991 Hosokawa  
 5,240,089 A 8/1993 Spera  
 5,244,300 A 9/1993 Perreira et al.  
 5,277,487 A \* 1/1994 Simon ..... A47B 67/00  
 29/434  
 D343,746 S \* 2/1994 Simon ..... D6/705  
 5,289,665 A 3/1994 Higgins  
 5,342,138 A 8/1994 Saito et al.  
 5,590,974 A 1/1997 Yang  
 5,605,410 A 2/1997 Pantev  
 5,615,529 A 4/1997 Johnson et al.  
 5,617,931 A 4/1997 Zygmunt et al.  
 5,647,687 A \* 7/1997 Robinson ..... A47B 95/002  
 312/228  
 D385,483 S \* 10/1997 Robinson ..... D8/382  
 5,678,375 A 10/1997 Juola  
 6,082,070 A 7/2000 Jen  
 6,092,347 A 7/2000 Hou  
 6,106,186 A 8/2000 Taipale et al.  
 6,219,989 B1 4/2001 Tumura  
 6,224,176 B1 \* 5/2001 Suzuki ..... A47B 67/04  
 312/278  
 6,364,441 B1 \* 4/2002 Arnold ..... A47B 88/0477  
 312/228  
 6,378,265 B1 4/2002 Konstandt  
 6,390,719 B1 5/2002 Chan  
 6,554,102 B2 4/2003 Schwörer  
 D481,619 S \* 11/2003 Hightower ..... D8/382  
 6,651,393 B2 11/2003 Don et al.  
 6,802,169 B2 10/2004 Simmons  
 6,837,016 B2 1/2005 Simmons et al.

6,840,591 B2 \* 1/2005 Wessel ..... A47B 95/002  
 248/345.1  
 6,913,422 B2 7/2005 Rogers  
 7,021,020 B2 4/2006 Simmons et al.  
 7,032,712 B2 4/2006 Schwörer  
 7,082,694 B2 8/2006 Lyman, Jr.  
 7,469,485 B1 12/2008 Perdue  
 7,470,081 B2 12/2008 Miyahara et al.  
 D611,166 S 3/2010 Hammer  
 7,677,522 B2 3/2010 Bakos  
 7,941,985 B2 5/2011 Simmons  
 8,011,150 B2 9/2011 Luttrell et al.  
 8,056,299 B2 11/2011 Liskey  
 8,132,774 B1 3/2012 Whatcott  
 8,136,460 B2 3/2012 Tait et al.  
 8,161,698 B2 4/2012 Migliore  
 8,161,707 B2 4/2012 Simmons  
 8,297,002 B2 10/2012 Fernández Fernández  
 8,297,887 B2 10/2012 Ness et al.  
 8,522,507 B2 9/2013 Asada et al.  
 8,528,298 B2 9/2013 Semaan et al.  
 8,627,615 B2 1/2014 Moyher  
 8,646,232 B2 2/2014 Liskey  
 9,103,132 B2 8/2015 Simmons et al.  
 9,109,874 B2 8/2015 Simmons et al.  
 2002/0043038 A1 4/2002 Cerrato  
 2003/0178253 A1 9/2003 Tatge et al.  
 2004/0237439 A1 12/2004 Powell  
 2005/0066612 A1 3/2005 Simmons  
 2007/0256391 A1 11/2007 Mifsud et al.  
 2008/0245023 A1 10/2008 Simmons  
 2009/0052980 A1 2/2009 Williams  
 2010/0316441 A1 12/2010 Vicentelli  
 2012/0110947 A1 5/2012 Simmons  
 2012/0160137 A1 6/2012 Linares  
 2012/0292131 A1 11/2012 Lovas  
 2013/0319796 A1 12/2013 Davis  
 2014/0183330 A1 7/2014 Simmons et al.  
 2014/0202795 A1 7/2014 Simmons et al.  
 2014/0208666 A1 7/2014 Simmons et al.

FOREIGN PATENT DOCUMENTS

FR 2471461 A1 6/1981  
 FR 2613403 A1 10/1988  
 GB 1204327 A 9/1970  
 GB 2261651 A 5/1993  
 JP 11-22001 A 1/1999  
 JP 2000-110236 A 4/2000  
 WO 9836134 A1 8/1998  
 WO 2011047830 A1 4/2011

OTHER PUBLICATIONS

ConXtech Brochure, 'CONX Modular Pipe Rack' [online], Apr. 16, 2014, Retrieved from the internet: <[http://www.conxtech.com/wpcontent/uploads/files/documents/ConX\\_Modular\\_Pipe\\_Rack\\_Brochure.pdf](http://www.conxtech.com/wpcontent/uploads/files/documents/ConX_Modular_Pipe_Rack_Brochure.pdf)>; entire document, 25 pages.

\* cited by examiner

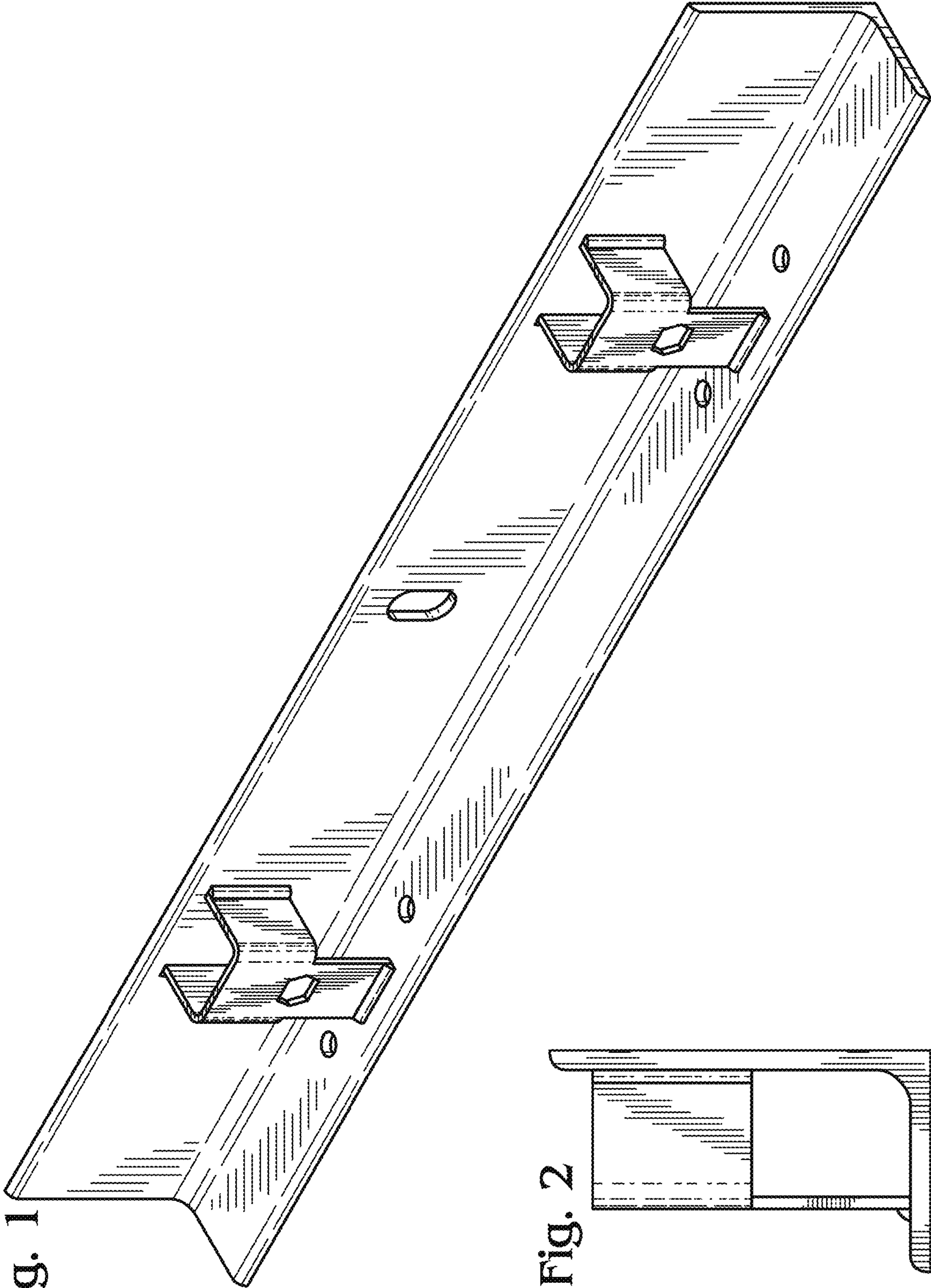


Fig. 1

Fig. 2

FIG. 3

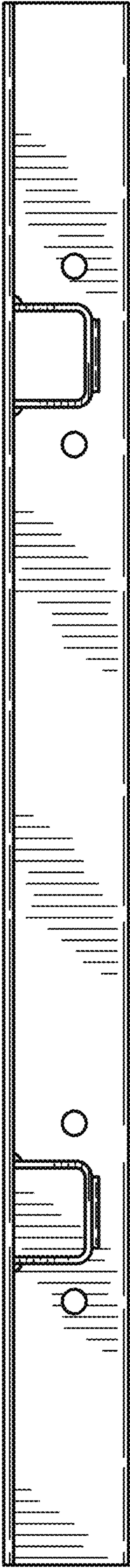


FIG. 4

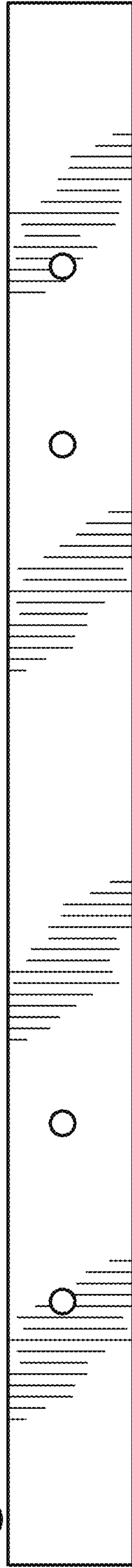


FIG. 5

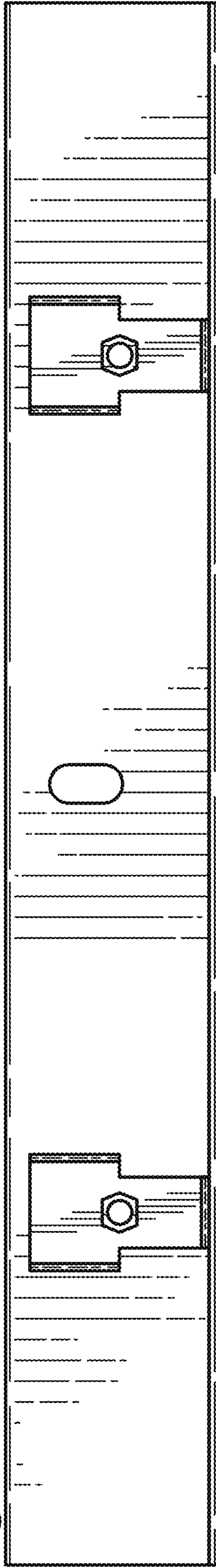


FIG. 6

