



US00D768417S

(12) **United States Design Patent** (10) **Patent No.:** **US D768,417 S**
Johnson et al. (45) **Date of Patent:** **** Oct. 11, 2016**

(54) **DISPLAY UNIT**

(71) Applicant: **Target Brands, Inc.**, Minneapolis, MN (US)

(72) Inventors: **Jason W. Johnson**, Wayzata, MN (US); **Timothy J. Martell**, Brooklyn Park, MN (US); **Blake M. Johnson**, Saint Paul, MN (US)

(73) Assignee: **Target Brands, Inc.**, Minneapolis, MN (US)

(**) Term: **15 Years**

(21) Appl. No.: **29/541,053**

(22) Filed: **Sep. 30, 2015**

(51) **LOC (10) Cl.** **06-03**

(52) **U.S. Cl.**

USPC **D6/687**

(58) **Field of Classification Search**

USPC D6/480, 660, 675.3, 676.3, 678.3, 687;
108/25, 59, 91, 153, 157, 158

CPC A47B 87/00; A47B 97/00; A47B 3/00;
A47B 7/02

See application file for complete search history.

(56) **References Cited**

U.S. PATENT DOCUMENTS

D284,340	S	*	6/1986	Berry, Jr.	D6/687
D351,077	S	*	10/1994	Bressler	D6/687
5,613,448	A	*	3/1997	Petty	A47B 7/02 108/91
D386,020	S	*	11/1997	Grabowski	D6/687
D401,790	S	*	12/1998	Buell	D6/687
D447,891	S	*	9/2001	Wood	D6/687
D567,548	S	*	4/2008	Chan	D6/687
D686,438	S		7/2013	Denby et al.		
8,905,484	B2	*	12/2014	Kim	A47C 7/62 108/25

D724,358	S	*	3/2015	Tsai	D6/675.3
2006/0249059	A1	*	11/2006	Gagne	A47B 43/00 108/59
2013/0284075	A1	*	10/2013	Reithler	A47B 17/03 108/91

OTHER PUBLICATIONS

Houzz [online] Retrieved on Aug. 1, 2016 from URL: <http://www.houzz.com/photos/469558/Faux-Horn-White-Nesting-Tables-contemporary-side-tables-and-end-tables>.*

- Design U.S. Appl. No. 29/493,082, filed Jun. 5, 2014, 7 pages.
- Design U.S. Appl. No. 29/502,322, filed Sep. 15, 2014, 24 pages.
- Design U.S. Appl. No. 29/502,318, filed Sep. 15, 2014, 20 pages.
- Design U.S. Appl. No. 29/515,778, filed Jan. 27, 2015, 9 pages.
- Design U.S. Appl. No. 29/515,782, filed Jan. 27, 2015, 10 pages.
- Design U.S. Appl. No. 29/502,317, filed Sep. 15, 2014, 22 pages.
- Design U.S. Appl. No. 29/502,320, filed Sep. 15, 2014, 9 pages.
- Design U.S. Appl. No. 29/502,321, filed Sep. 15, 2014, 13 pages.
- Design U.S. Appl. No. 29/526,339, filed May 8, 2015, 5 pages.

* cited by examiner

Primary Examiner — Manpreet Matharu

Assistant Examiner — Keith Wilson

(74) *Attorney, Agent, or Firm* — Leanne Taveggia Farrell; Westman, Champlin & Koehler, P.A.

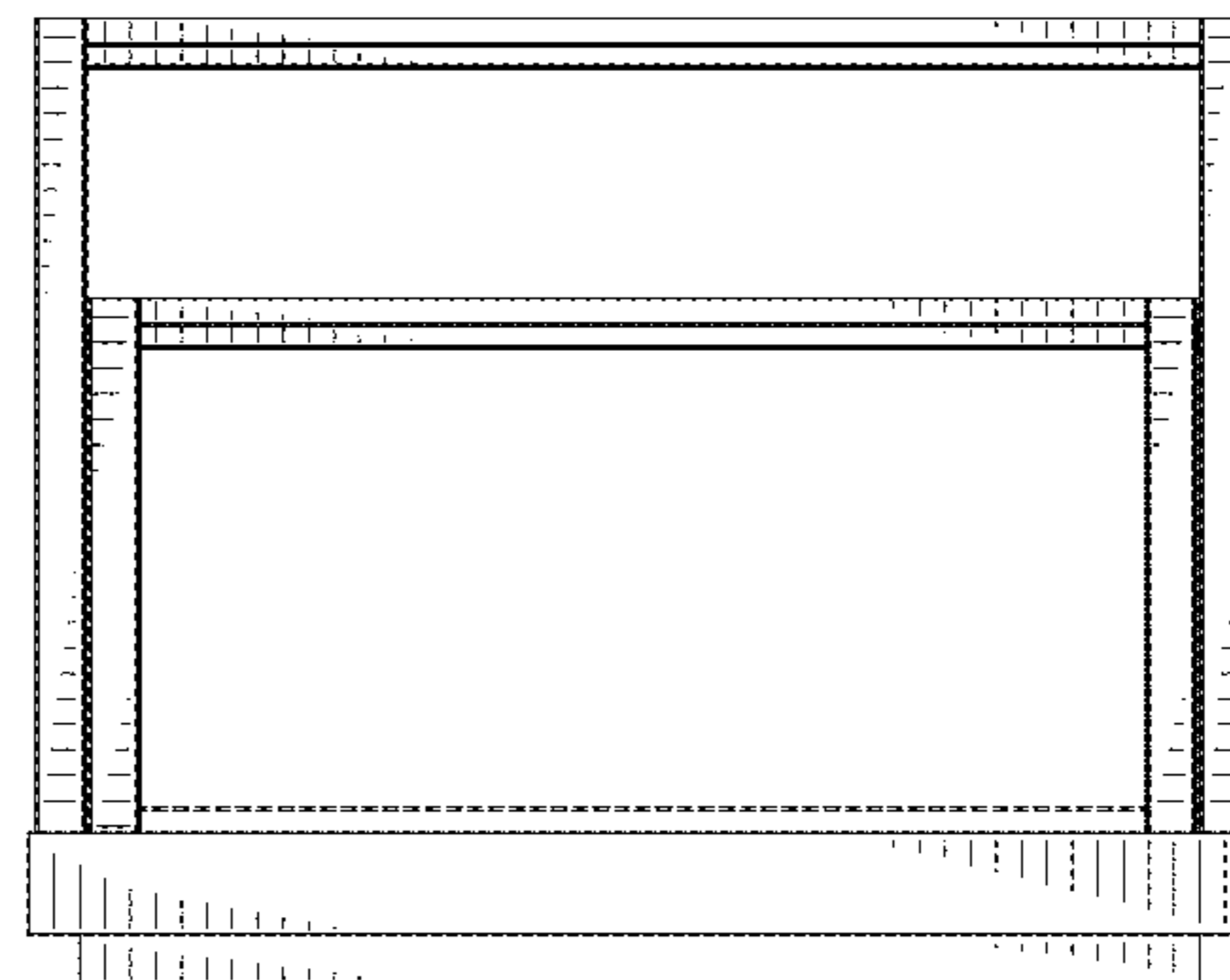
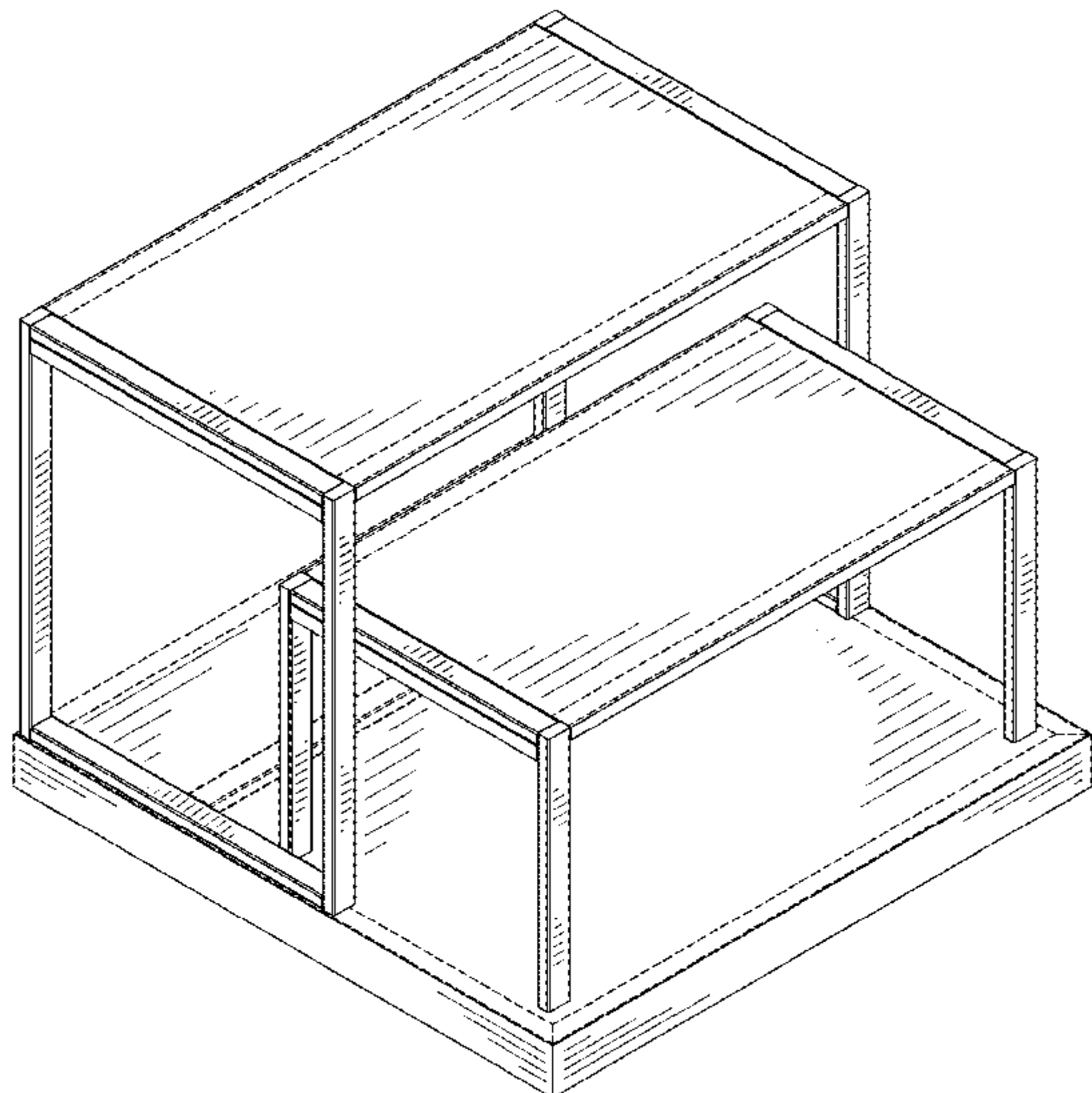
(57) **CLAIM**

The ornamental design for a display unit, as shown and described.

DESCRIPTION

FIG. 1 is a perspective view of a display unit; FIG. 2 is a front view thereof; FIG. 3 is a back view thereof; FIG. 4 is a left side view thereof; FIG. 5 is a right side view thereof; and, FIG. 6 is a top view thereof. The broken lines illustrate portions of the display unit and form no part of the claimed design.

1 Claim, 4 Drawing Sheets



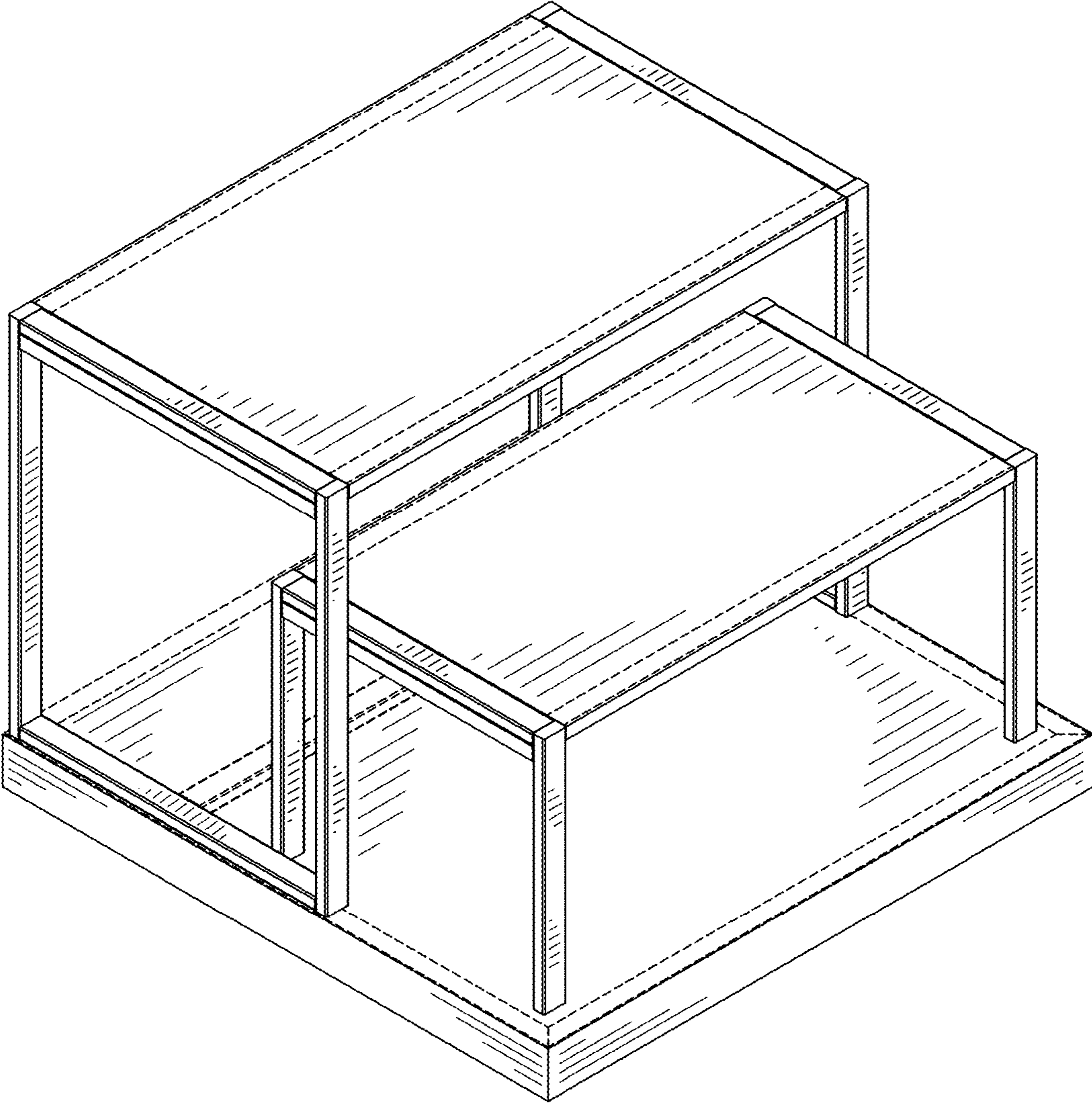


Fig. 1

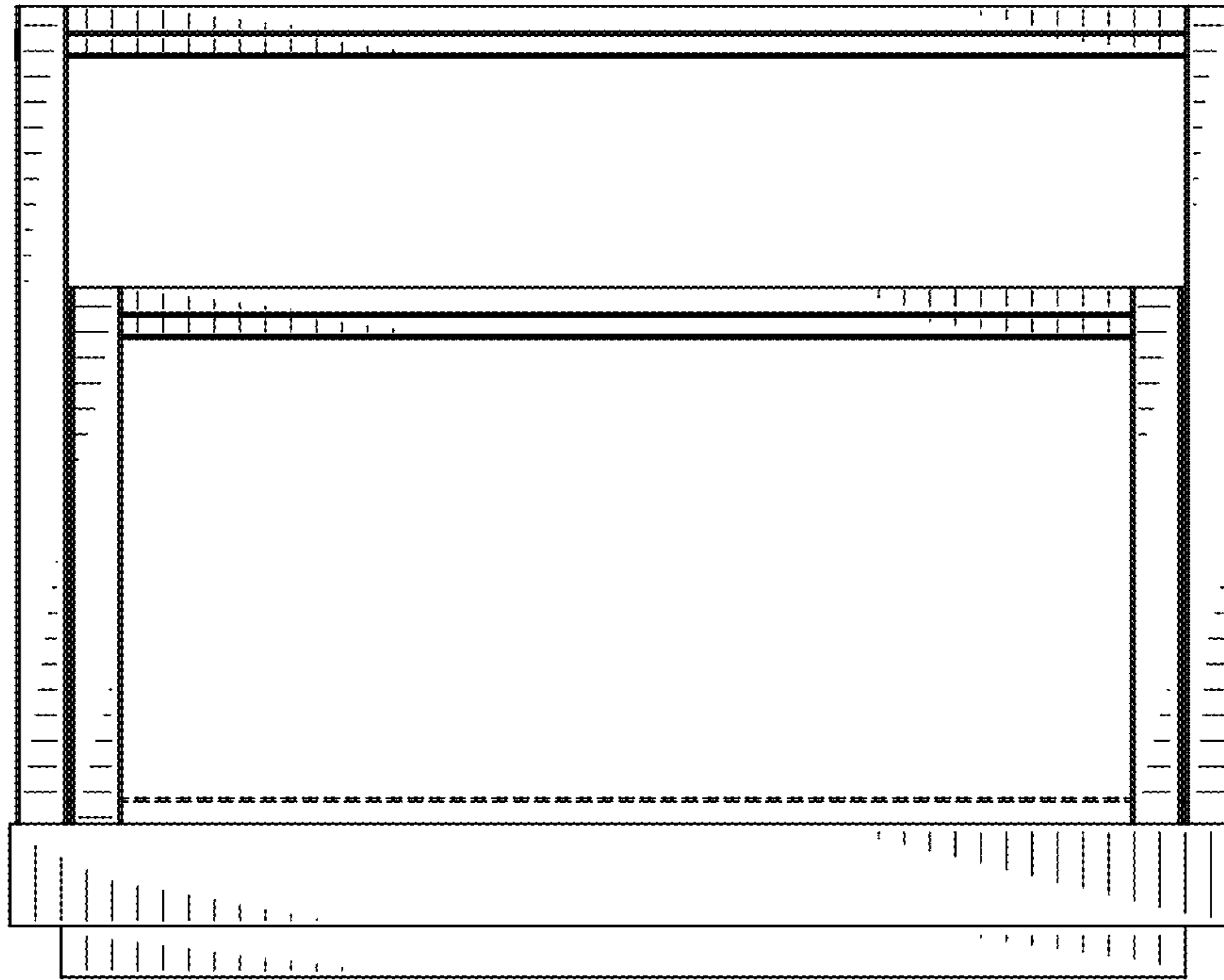


Fig. 2

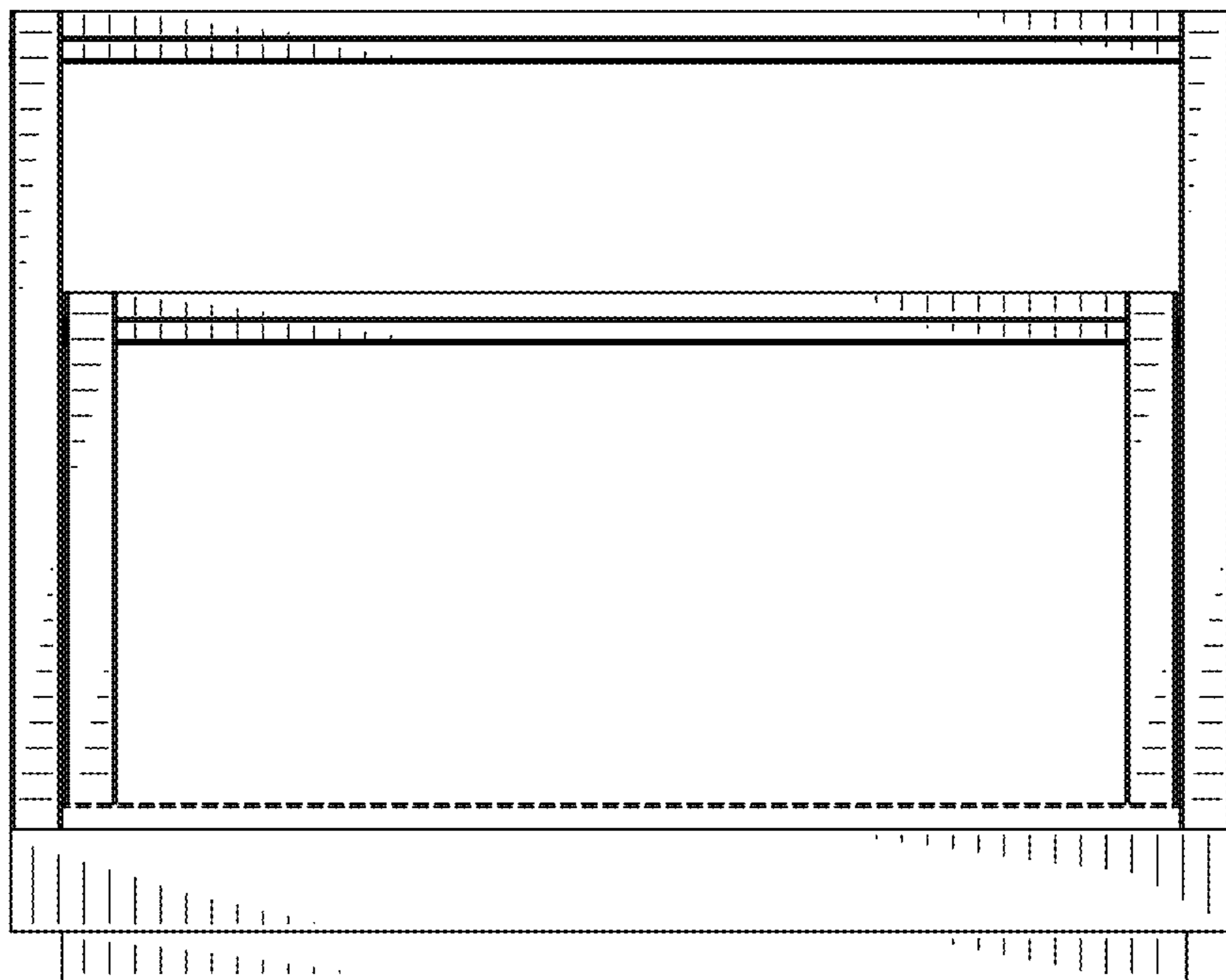


Fig. 3

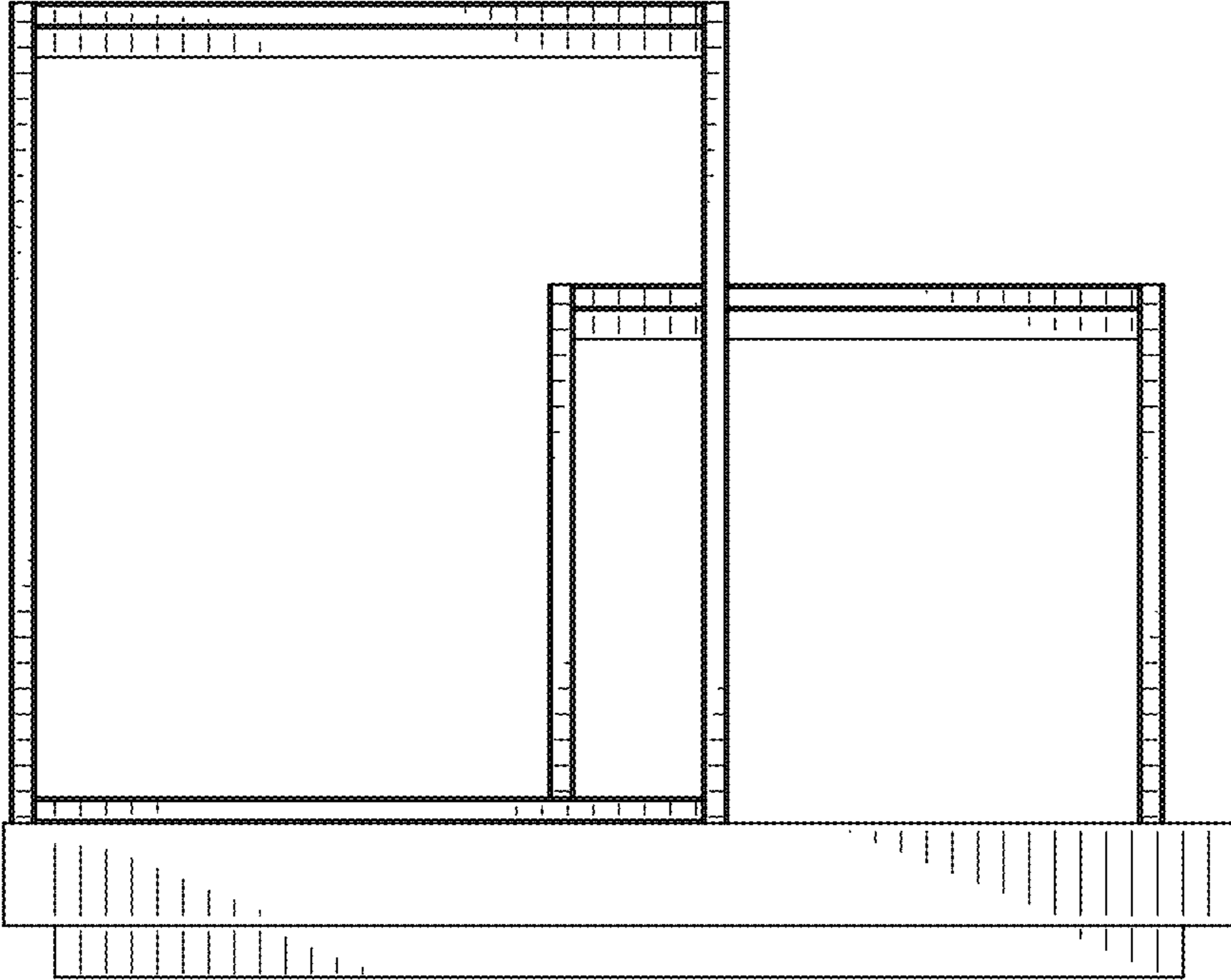


Fig. 4

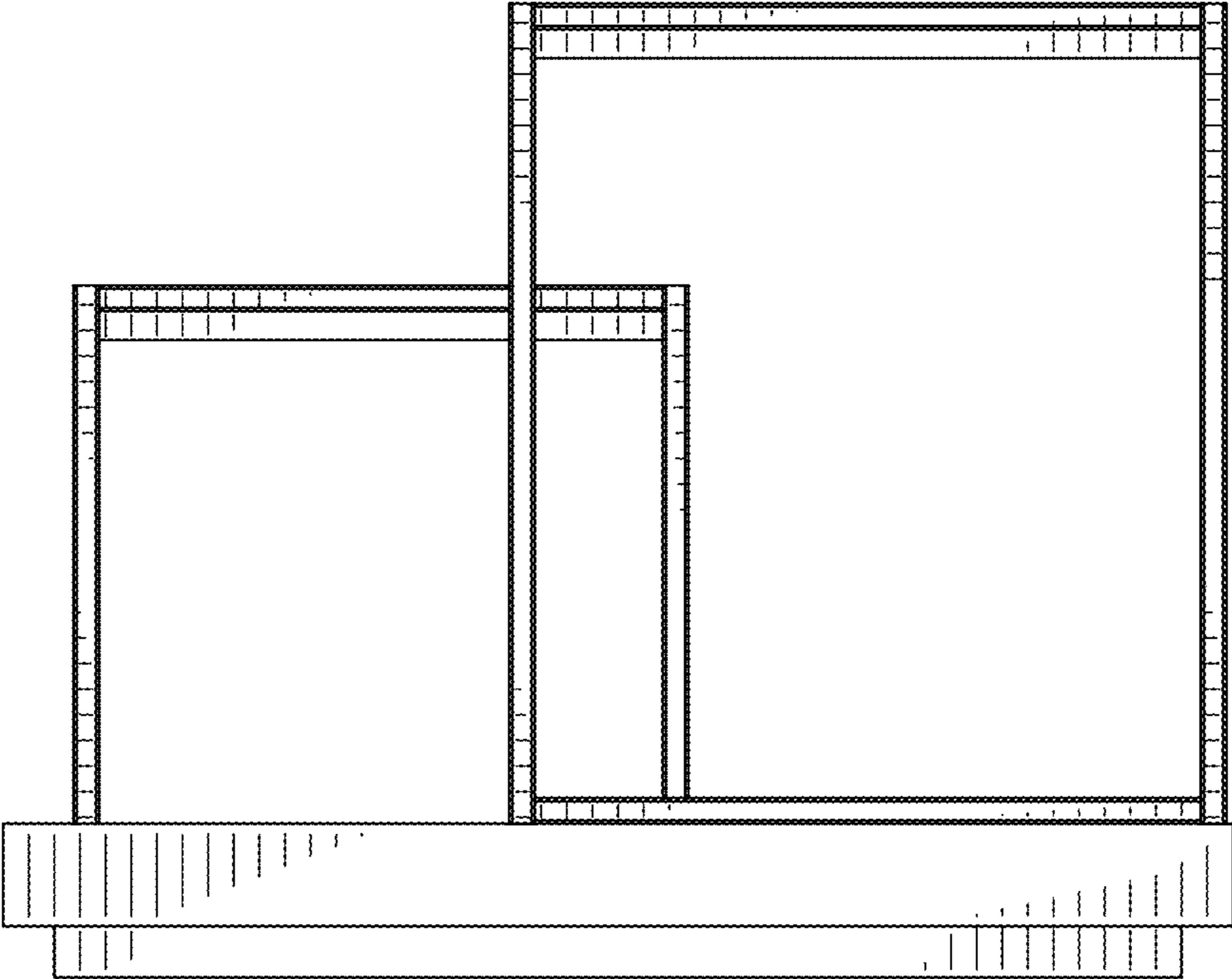


Fig. 5

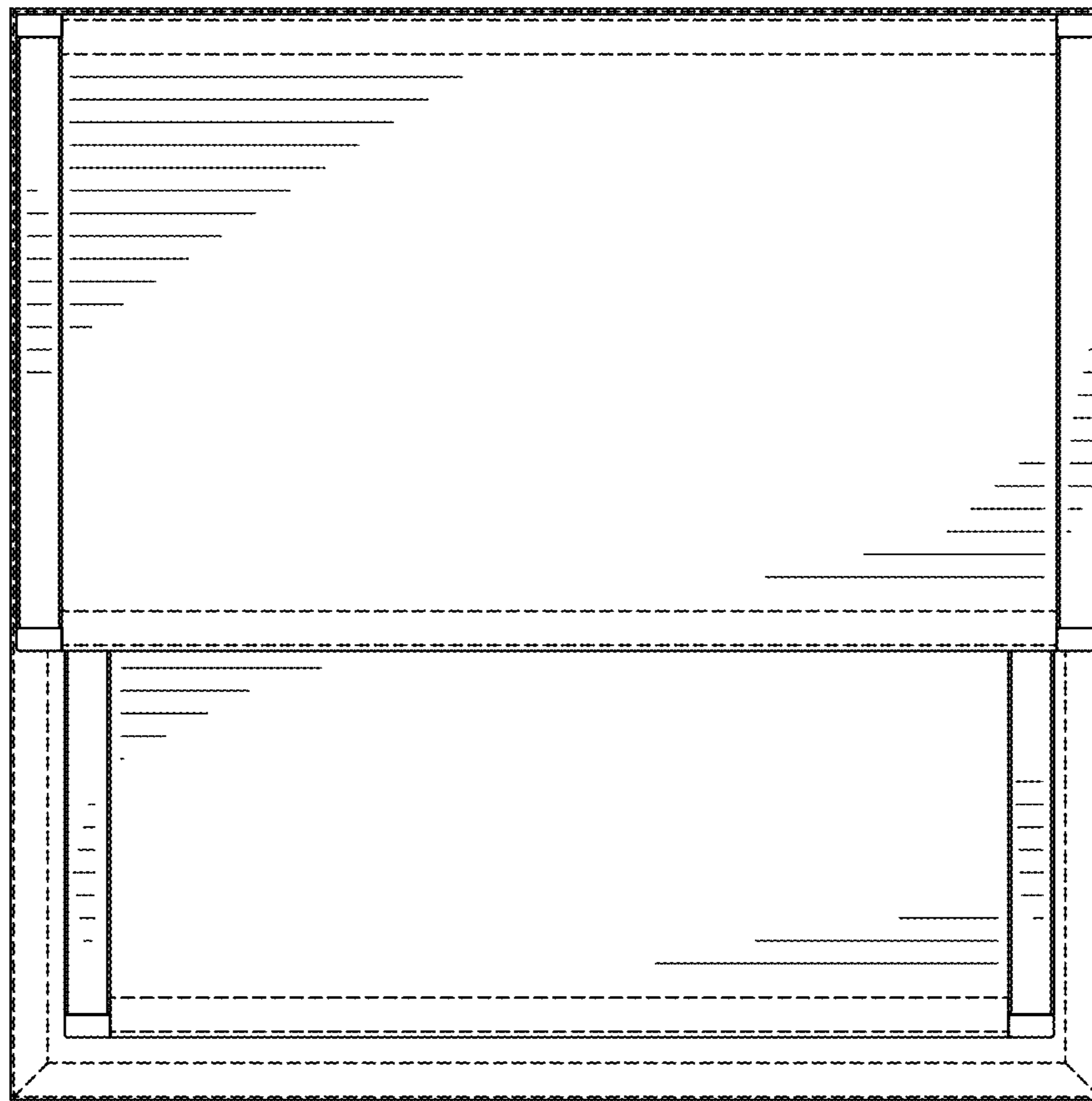


Fig. 6