



US00D768416S

(12) **United States Design Patent**  
**Kroll**

(10) **Patent No.:** **US D768,416 S**

(45) **Date of Patent:** **\*\* \*Oct. 11, 2016**

(54) **CROSS-SHAPED DISPLAY STAND**

(71) Applicant: **William F. Kroll**, Boca Raton, FL (US)

(72) Inventor: **William F. Kroll**, Boca Raton, FL (US)

(\*) Notice: This patent is subject to a terminal disclaimer.

(\*\*) Term: **14 Years**

(21) Appl. No.: **29/520,839**

(22) Filed: **Mar. 18, 2015**

**Related U.S. Application Data**

(63) Continuation-in-part of application No. 29/475,451, filed on Dec. 3, 2013.

(51) **LOC (10) Cl.** ..... **06-04**

(52) **U.S. Cl.**  
USPC ..... **D6/674**; D99/23; D99/27; D20/29

(58) **Field of Classification Search**  
USPC ..... D6/343, 352, 362, 391, 514, 519, 552, D6/556, 573, 574, 629, 630, 641, 653, D6/653.14, 653.21, 661.2, 670, 672, 673, D6/674, 675, 675.1, 675.3, 675.4, 676.3, D6/680.2, 685, 691.5; D11/86, 96, 125, D11/157; D26/4, 125; D32/5; D99/17, 23, D99/25, 27; 428/3

CPC ..... A47F 3/00; A47F 5/00; A47G 33/00; A47G 33/002; A47G 33/004; A47G 33/006; A47G 33/008; A47G 33/02; F16B 12/12; F16B 12/14

See application file for complete search history.

(56) **References Cited**

**U.S. PATENT DOCUMENTS**

D116,859 S *	9/1939	McDonald	.....	D11/96
2,246,122 A *	6/1941	Brennan	.....	B44C 1/26
				206/19
D168,686 S *	1/1953	Hunter	.....	D6/515
D256,398 S *	8/1980	Mitchell	.....	D99/25
D370,282 S *	5/1996	Grether	.....	D11/122
D385,672 S *	10/1997	Noris	.....	D6/674
D525,163 S *	7/2006	Balch	.....	D11/86
D578,275 S *	10/2008	Shantz	.....	D99/17
D611,221 S *	3/2010	Parks	.....	D99/5
D618,135 S *	6/2010	Horst	.....	D11/157

D658,908 S *	5/2012	Kroll	.....	D6/674
D659,430 S *	5/2012	Kroll	.....	D6/674
D659,431 S *	5/2012	Kroll	.....	D6/674
D659,432 S *	5/2012	Kroll	.....	D6/674
D671,770 S *	12/2012	Kroll	.....	D6/674
D696,813 S *	12/2013	Odisho	.....	D26/125
RE45,427 E *	3/2015	Kroll	.....	D6/300
RE45,428 E *	3/2015	Kroll	.....	D6/300
RE45,546 E *	6/2015	Kroll	.....	D6/674
RE45,560 E *	6/2015	Kroll	.....	D6/300
RE45,622 E *	7/2015	Kroll	.....	D6/300
D745,793 S *	12/2015	Kroll	.....	D20/29
D746,086 S *	12/2015	Kroll	.....	D20/29
RE45,843 E *	1/2016	Kroll	.....	D6/300

**OTHER PUBLICATIONS**

Galway Celtic Crystal Cross: Announced May 8, 2012 [online] site visited [Sep. 14, 2015]. Available from Interent URL: [http://religmuseum.com/unt/38994-galway\\_celtic\\_crystal\\_cross\\_ornament\\_made\\_in\\_ireland\\_crystal\\_sticker.html](http://religmuseum.com/unt/38994-galway_celtic_crystal_cross_ornament_made_in_ireland_crystal_sticker.html).\*

Waterford Crystal Cross: Announced Sep. 16, 2012 [online] site visited [Sep. 14, 2015]. Available from Internet URL: [http://religmuseum.com/unt/900-waterford\\_crystal\\_cross\\_holy\\_water\\_wall\\_hanging\\_font.html](http://religmuseum.com/unt/900-waterford_crystal_cross_holy_water_wall_hanging_font.html).\*

Cementtiri del Poblenou Celtic Cross: Announced Jun. 24, 2011, [online], site visited [Sep. 15, 2015]. Available from Internet URL: [https://commons.wikimedia.org/wiki/Category:Celtic\\_crosses#/media/File:127\\_Cementiri\\_del\\_Poblenou,\\_creu\\_celta.jpg](https://commons.wikimedia.org/wiki/Category:Celtic_crosses#/media/File:127_Cementiri_del_Poblenou,_creu_celta.jpg).\*

Celtic Cross Cement Garden Sculpture: Announced Jul. 14, 2013 [online], site visited [Sep. 15, 2015]. Available from Internet URL: <http://www.statue.com/Products/Crosses-and-Crucifixes/Celtic-Cross-Cement-Garden-Sculpture.html>.\*

\* cited by examiner

*Primary Examiner* — Thomas Johannes

*Assistant Examiner* — Catherine Posthauer

(74) *Attorney, Agent, or Firm* — Mark D. Bowen; Malin Haley DiMaggio & Bowen, P.A.

(57) **CLAIM**

The ornamental design for a cross-shaped display stand, as shown and described.

**DESCRIPTION**

FIG. 1 is a top front perspective view of a cross-shaped display stand in accordance with the present invention;

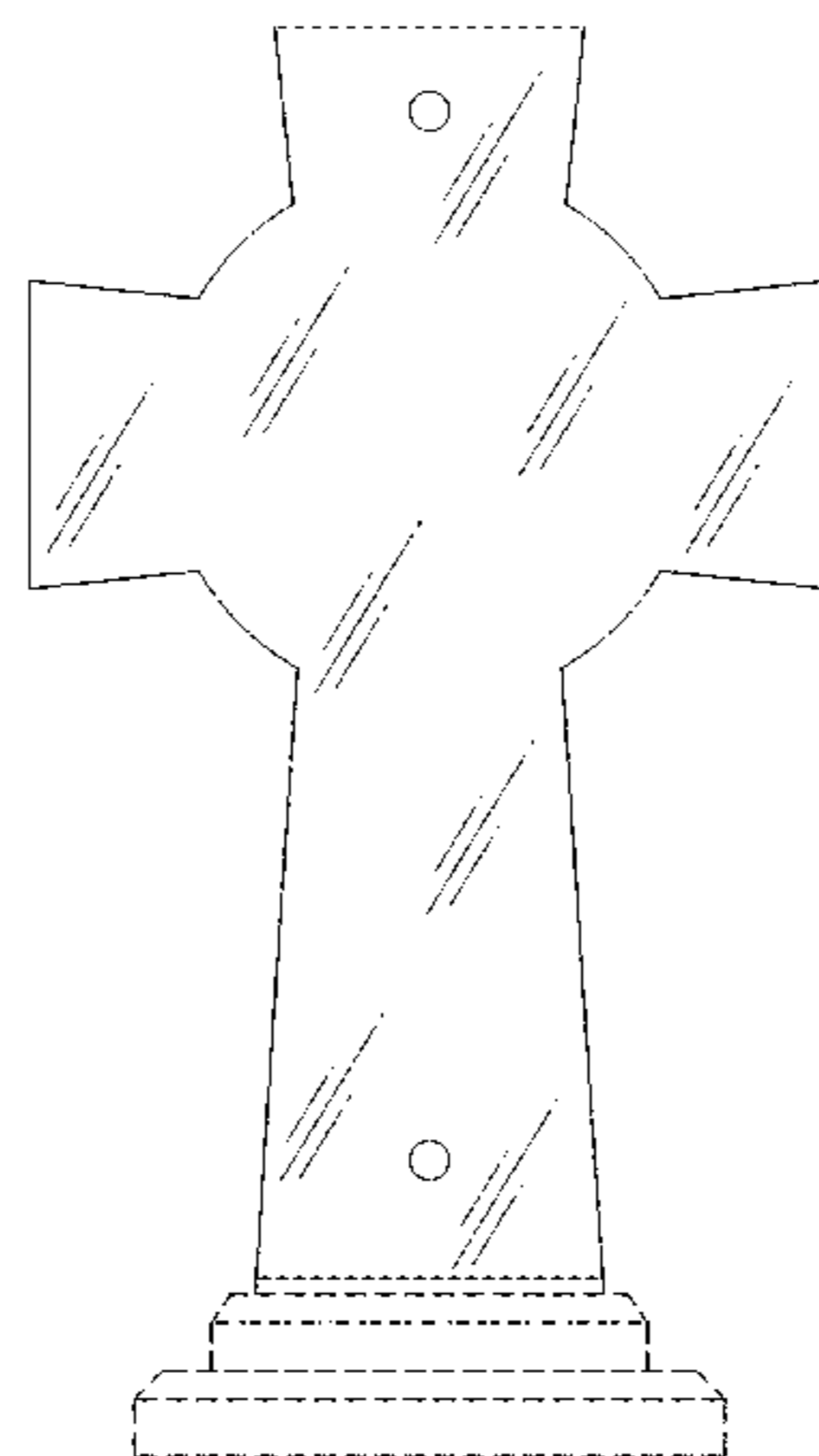
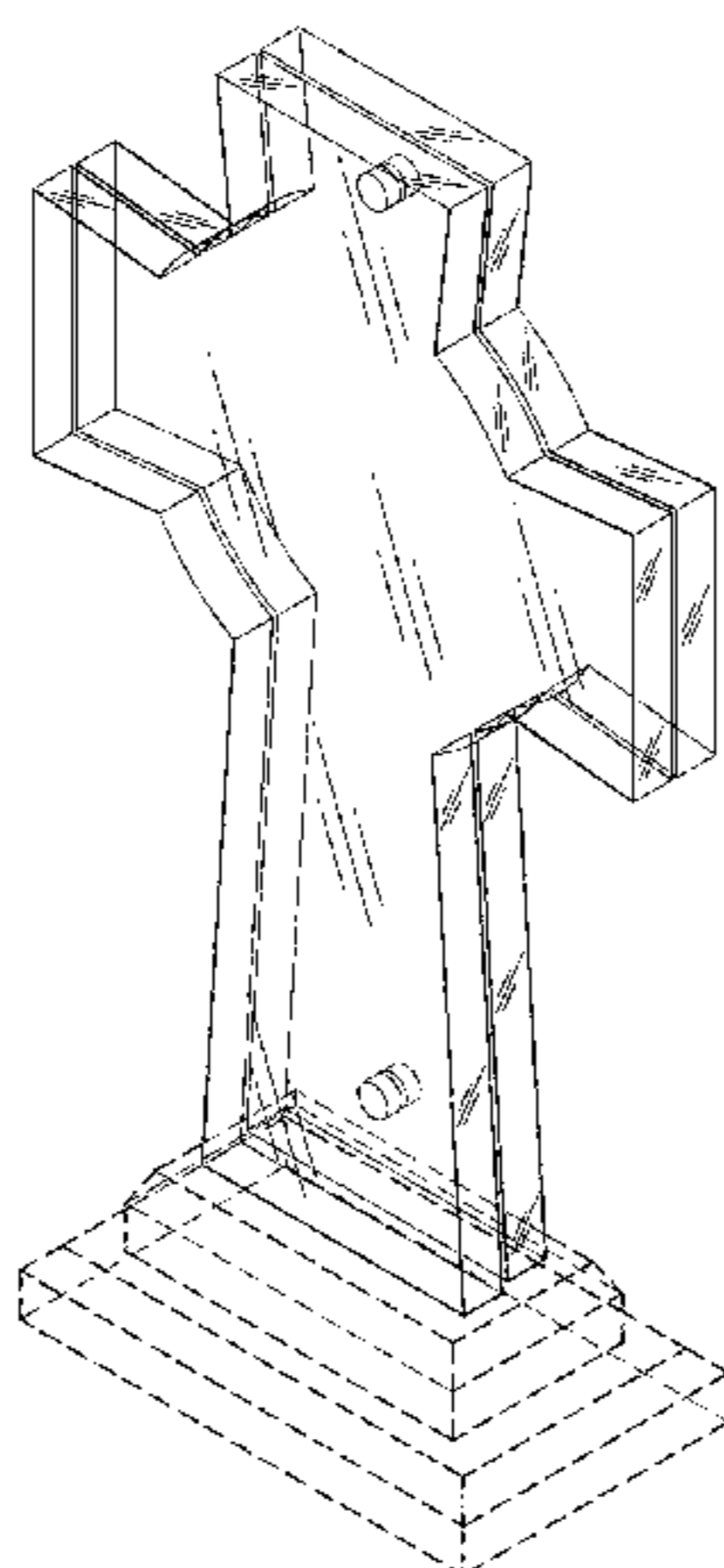


FIG. 2 is a bottom rear perspective view thereof;  
FIG. 3 is a front view thereof;  
FIG. 4 is a rear view thereof;  
FIG. 5 is a right side view thereof, with the left side view being a mirror image;  
FIG. 6 is a top view thereof;  
FIG. 7 is a bottom view thereof;  
FIG. 8 is a top front perspective view of another embodiment of a cross-shaped display stand in accordance with the present invention;  
FIG. 9 is a bottom rear perspective view thereof;  
FIG. 10 is a front view thereof;  
FIG. 11 is a rear view thereof;  
FIG. 12 is a right side view thereof, with the left side view being a mirror image;  
FIG. 13 is a top view thereof;  
FIG. 14 is a bottom view thereof;  
FIG. 15 is a top front perspective view of another embodiment of a cross-shaped display stand in accordance with the present invention;  
FIG. 16 is a bottom rear perspective view thereof;  
FIG. 17 is a front view thereof;

FIG. 18 is a rear view thereof;  
FIG. 19 is a right side view thereof, with the left side view being a mirror image;  
FIG. 20 is a top view thereof;  
FIG. 21 is a bottom view thereof;  
FIG. 22 is a top front perspective view of another embodiment of a cross-shaped display stand in accordance with the present invention;  
FIG. 23 is a bottom rear perspective view thereof;  
FIG. 24 is a front view thereof;  
FIG. 25 is a rear view thereof;  
FIG. 26 is a right side view thereof, with the left side view being a mirror image;  
FIG. 27 is a top view thereof; and,  
FIG. 28 is a bottom view thereof.  
The evenly dashed broken lines are shown for the purpose of illustrating environmental subject matter that form no part of the claimed design. The dot-dash broken lines are shown for the purpose of illustrating the boundaries of the claim and form no part thereof.

**1 Claim, 20 Drawing Sheets**

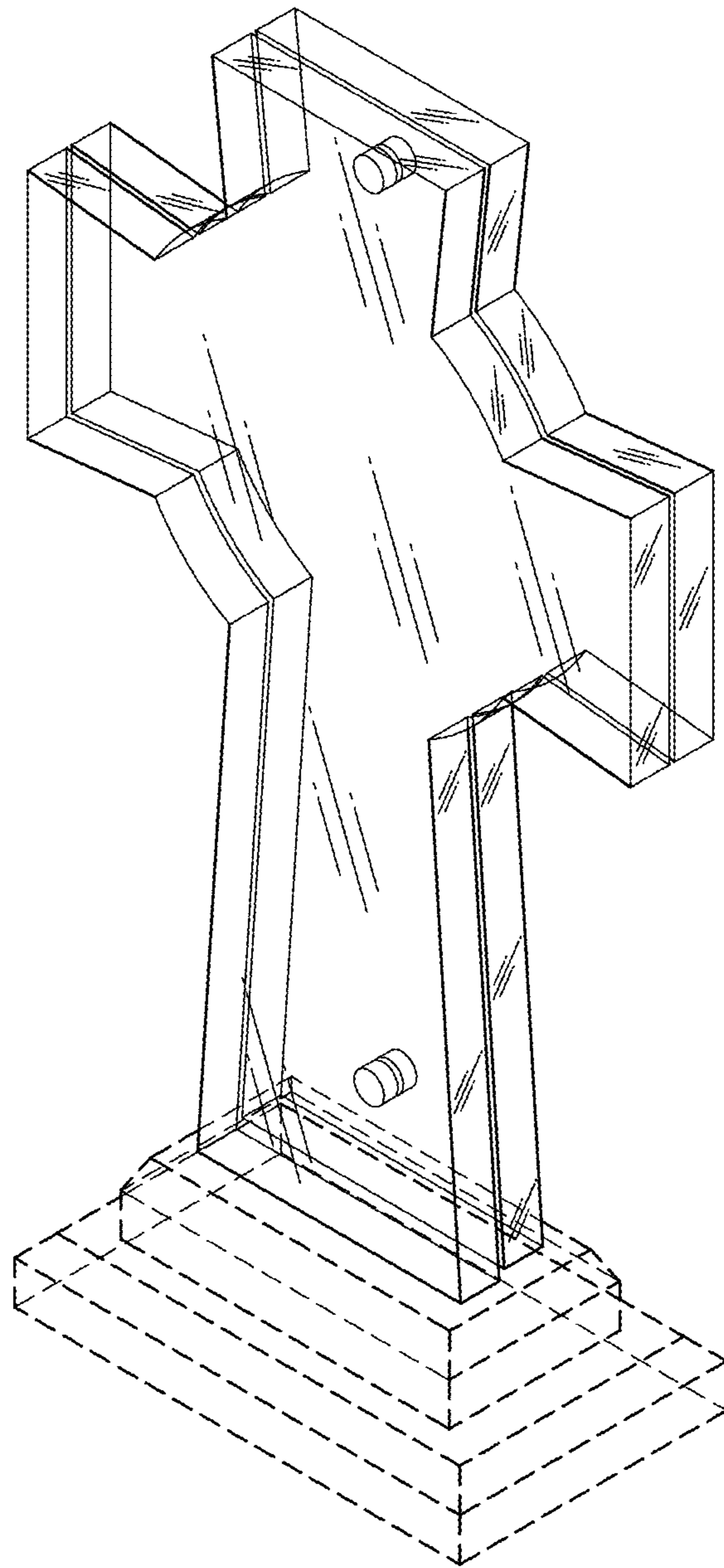


FIG. 1

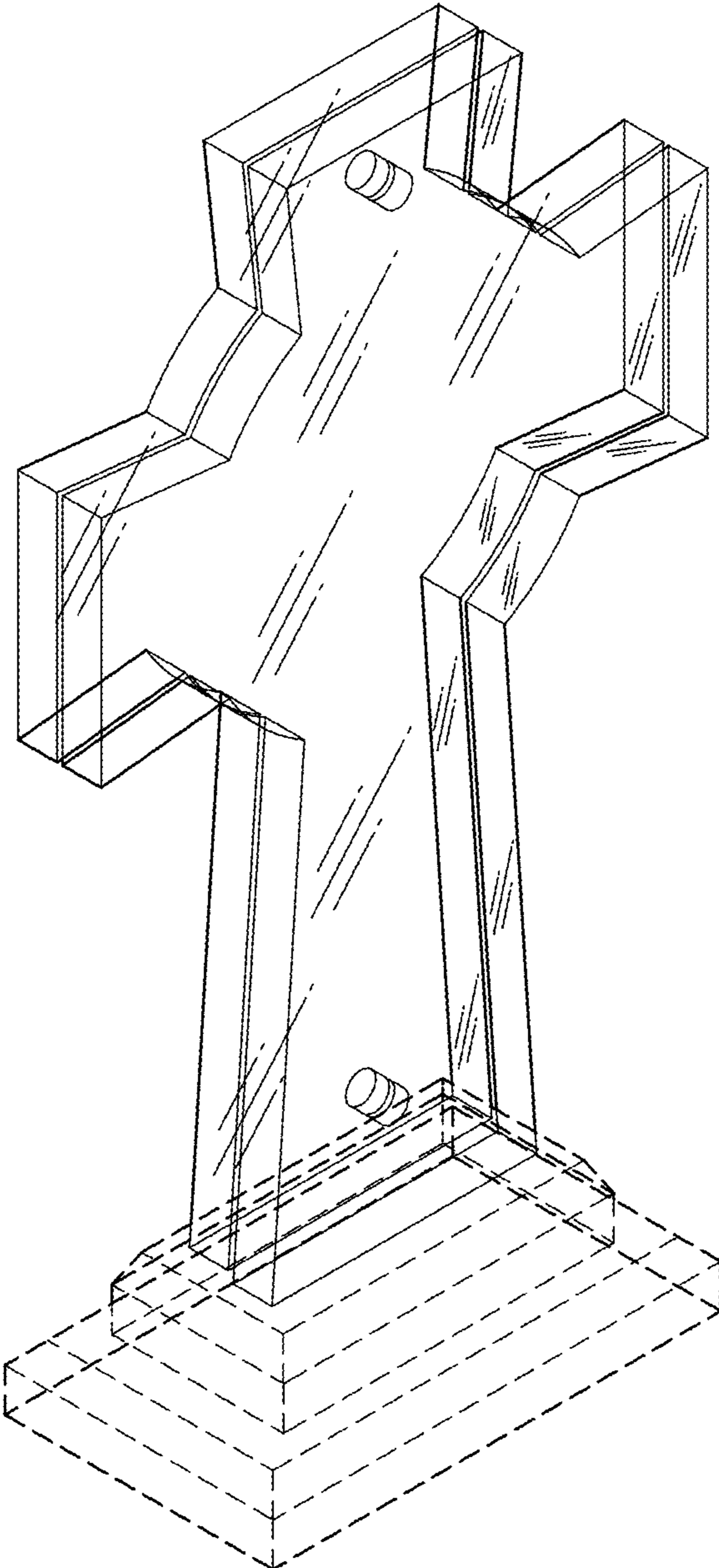


FIG. 2

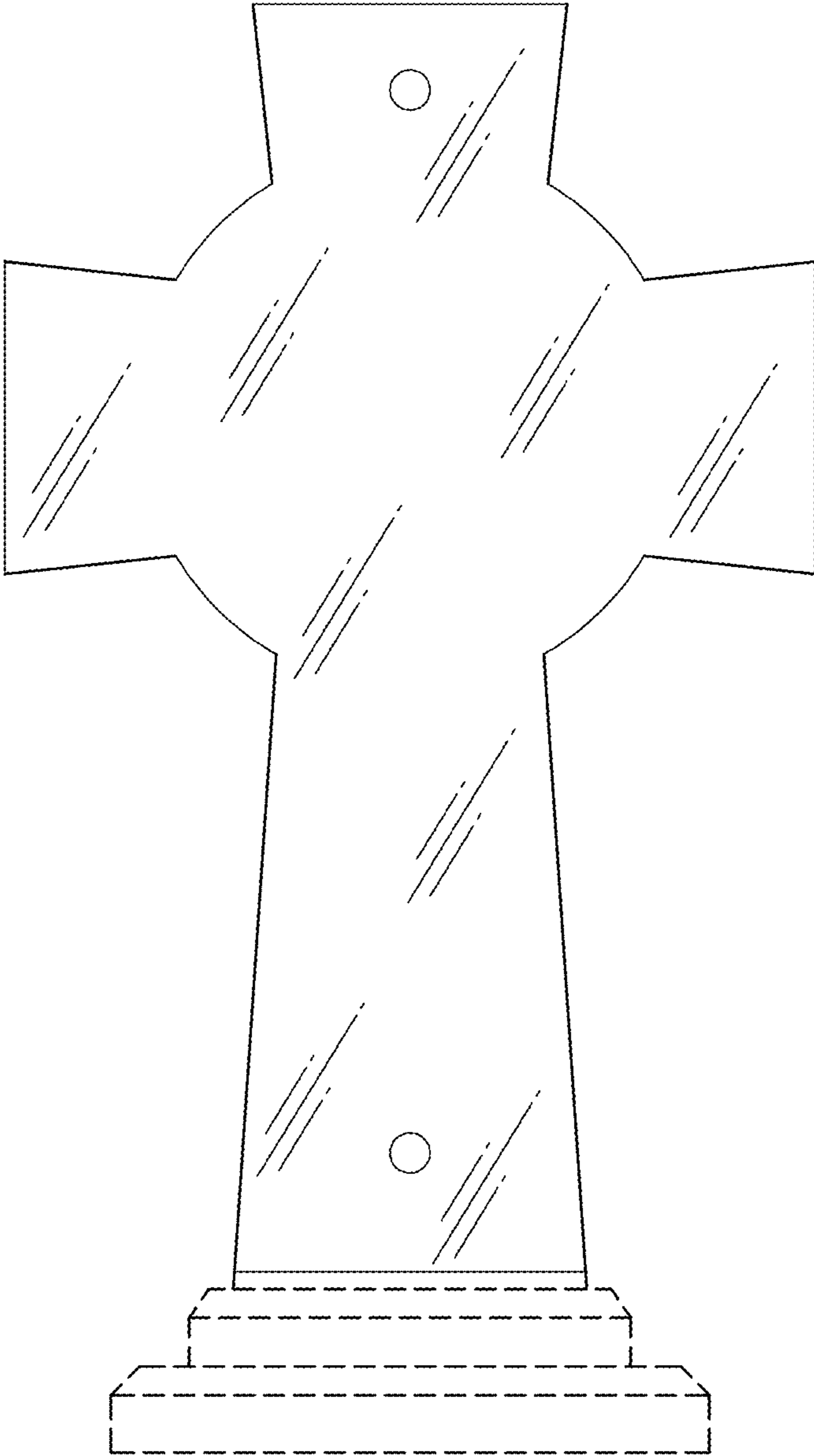


FIG. 3

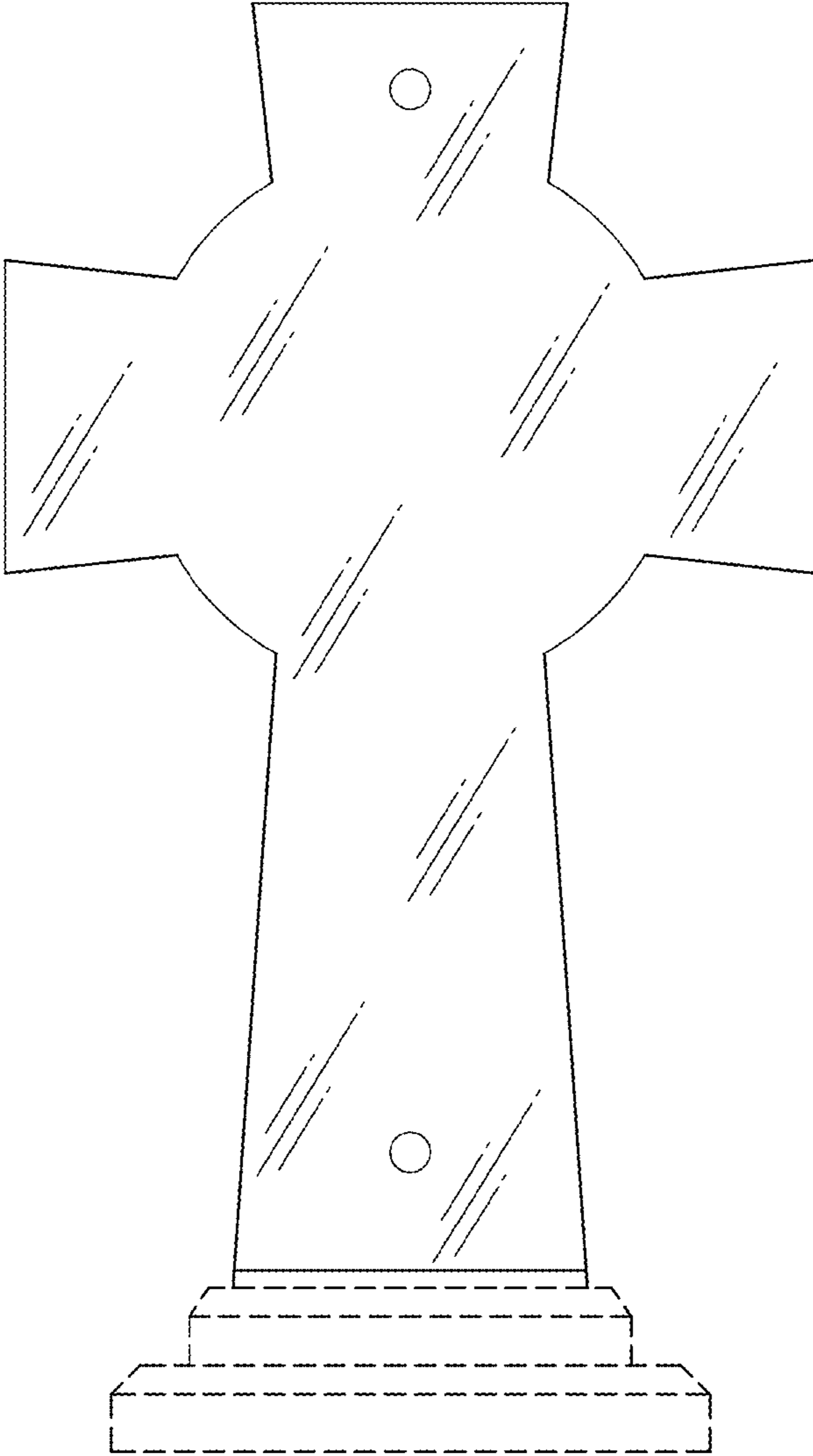


FIG. 4

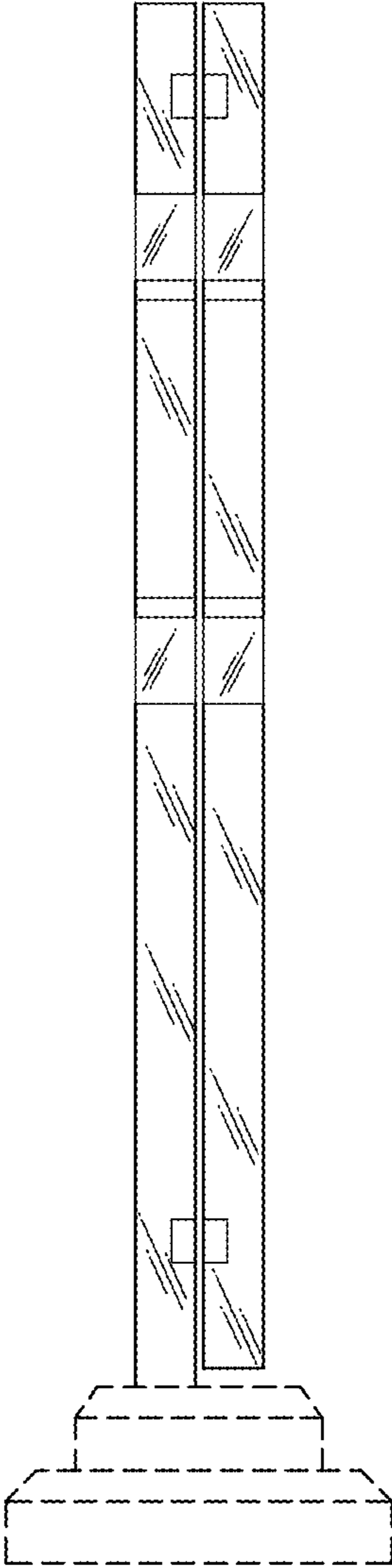


FIG. 5

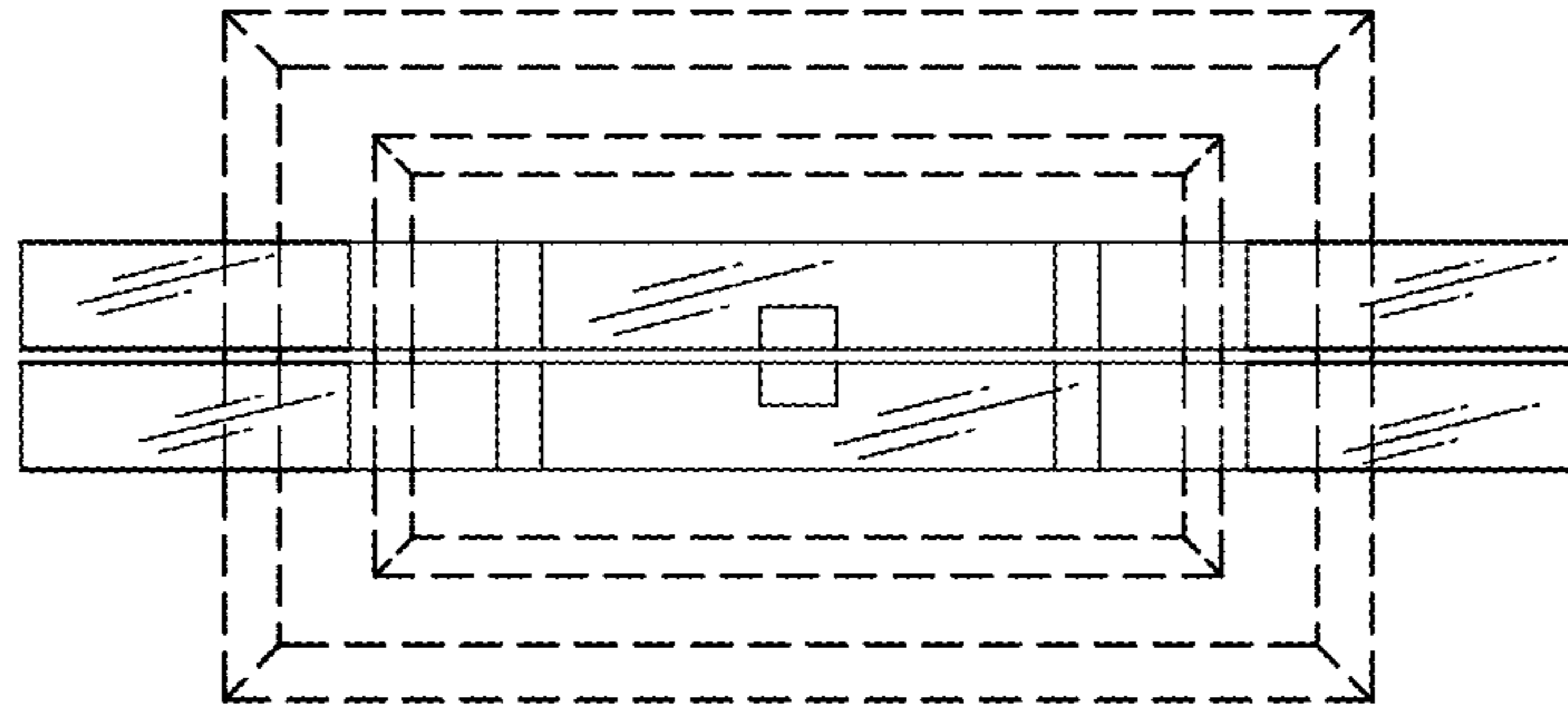


FIG. 6

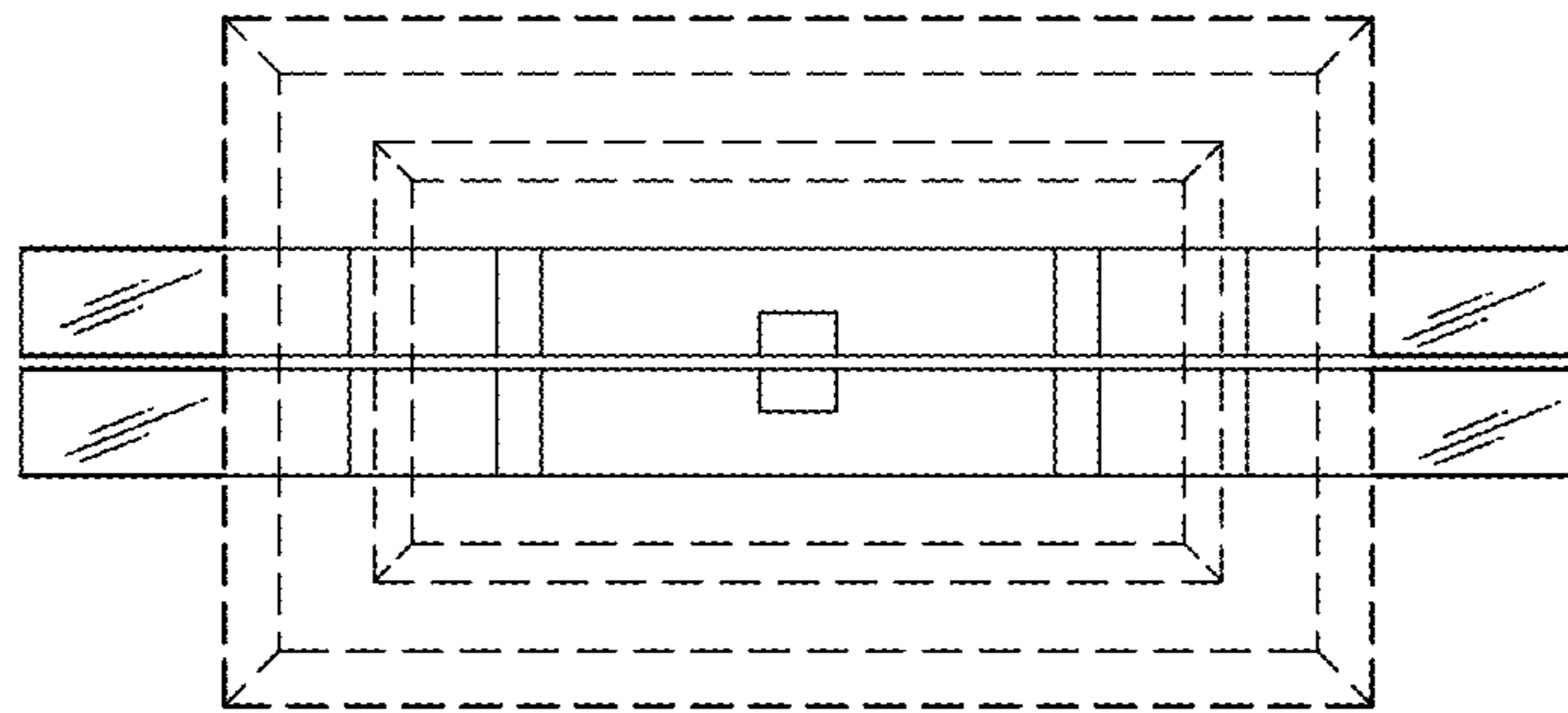


FIG. 7

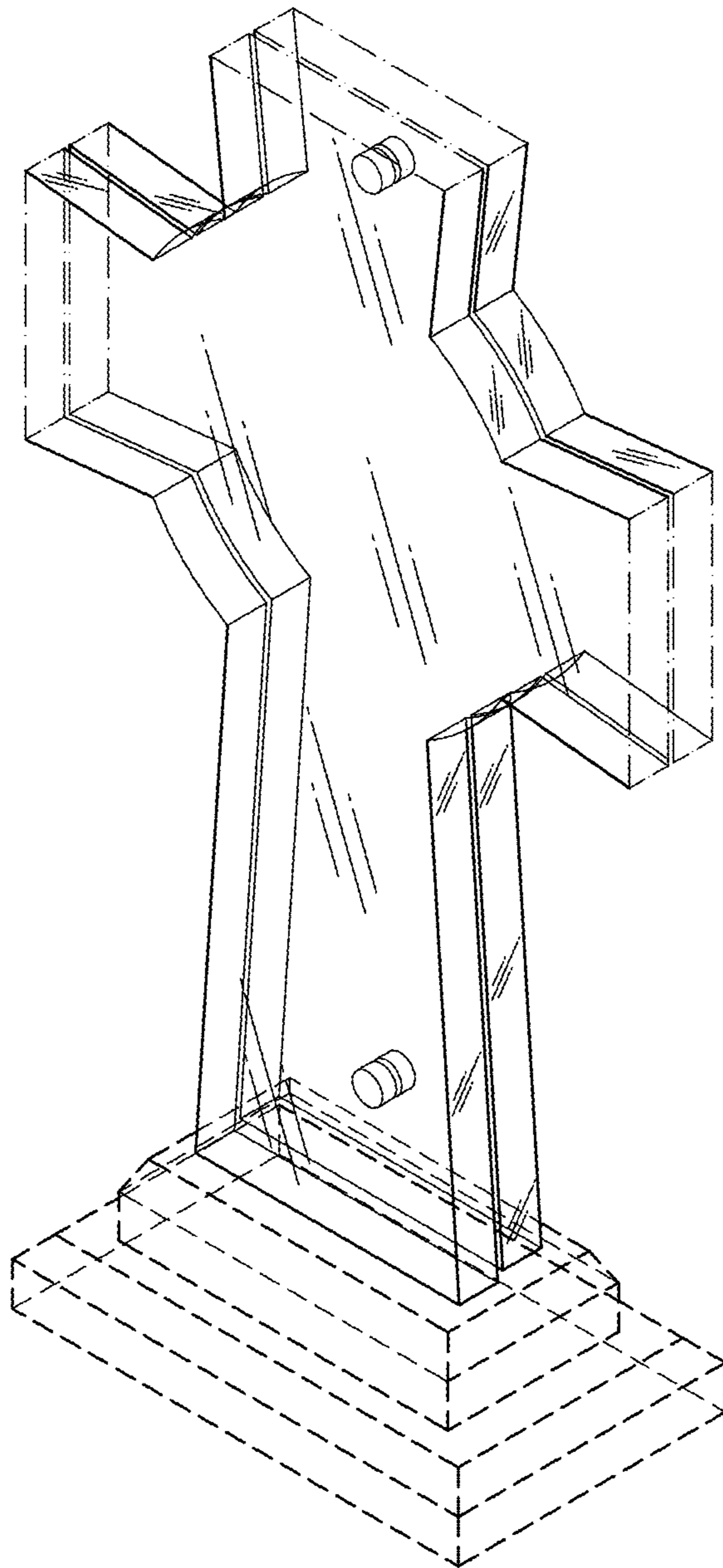


FIG. 8



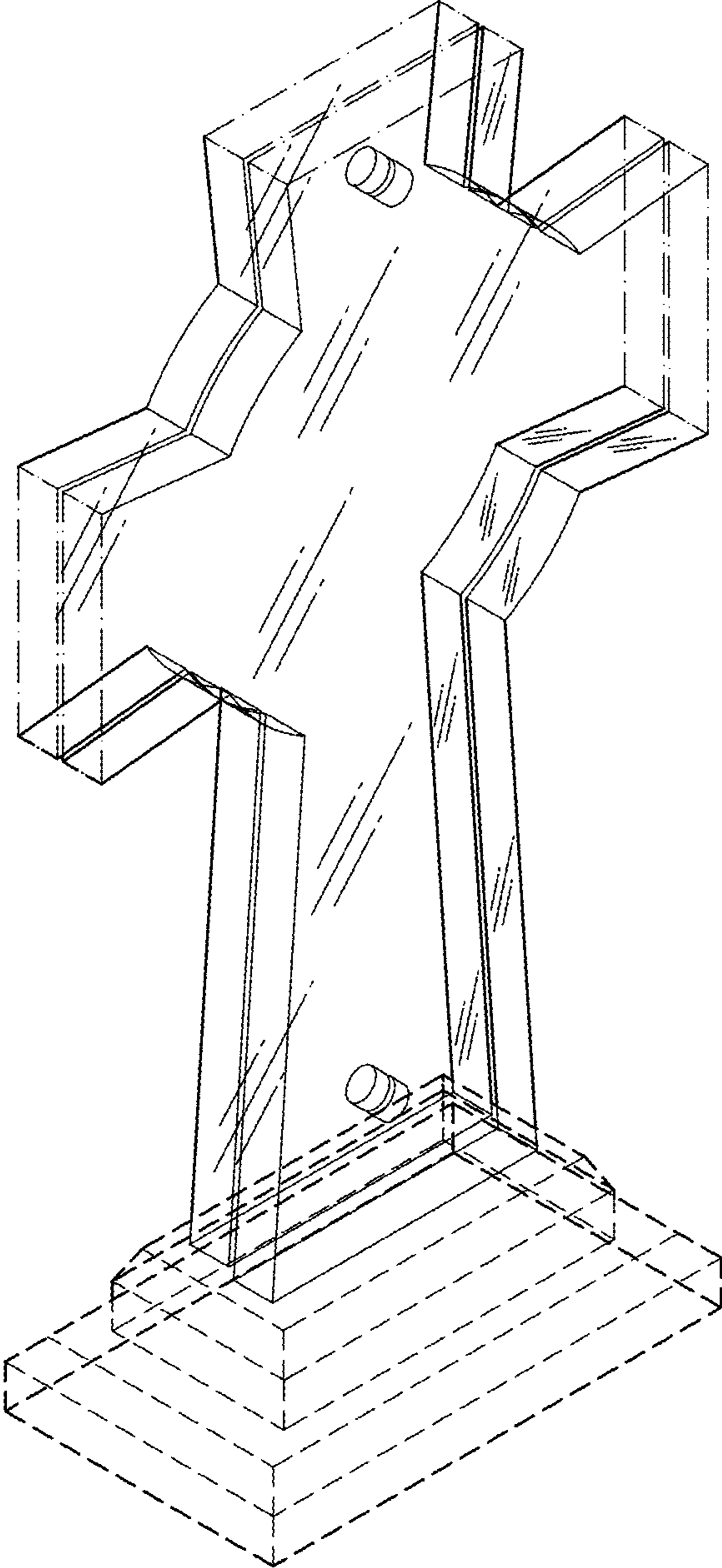


FIG. 9

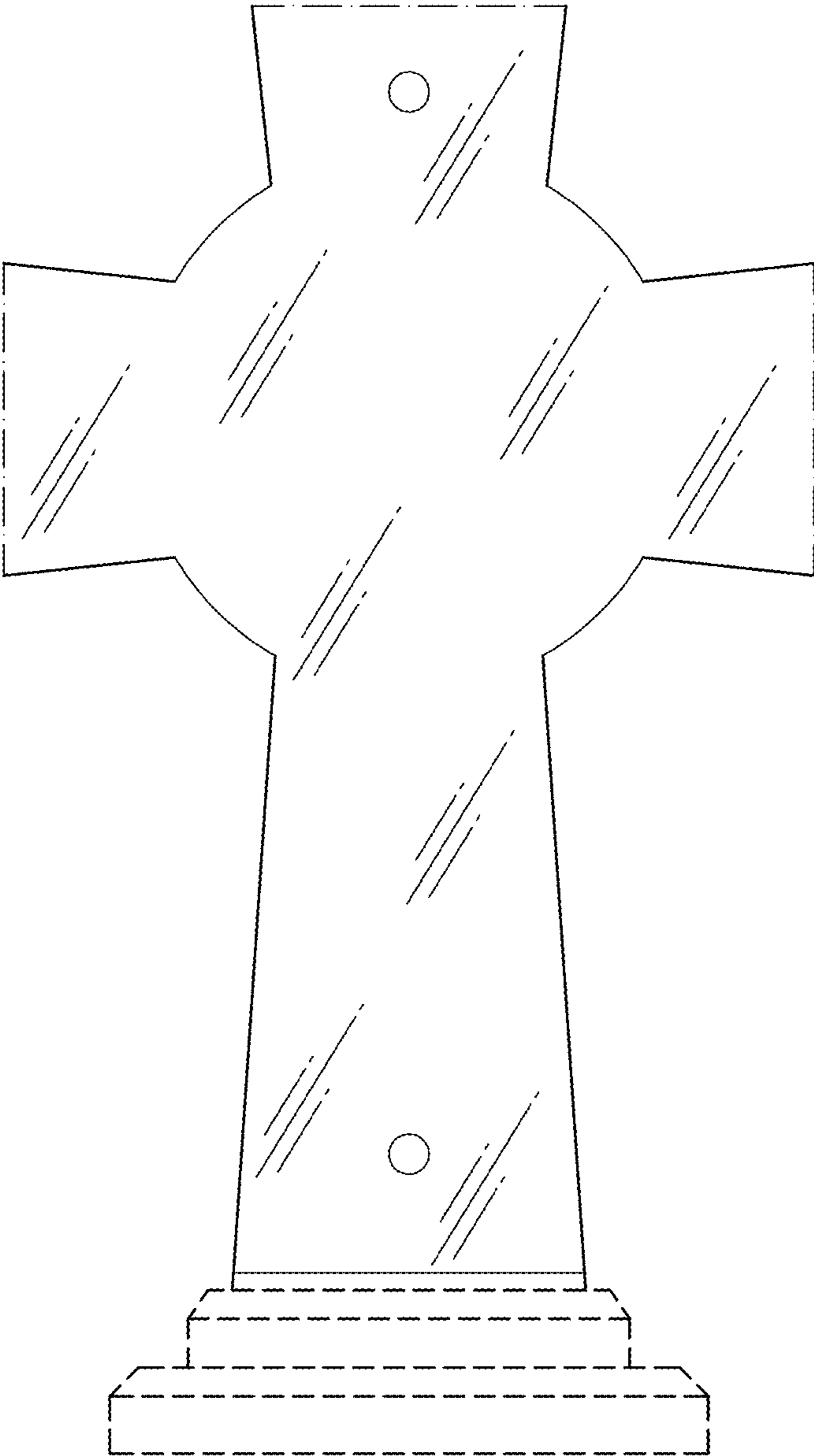


FIG. 10

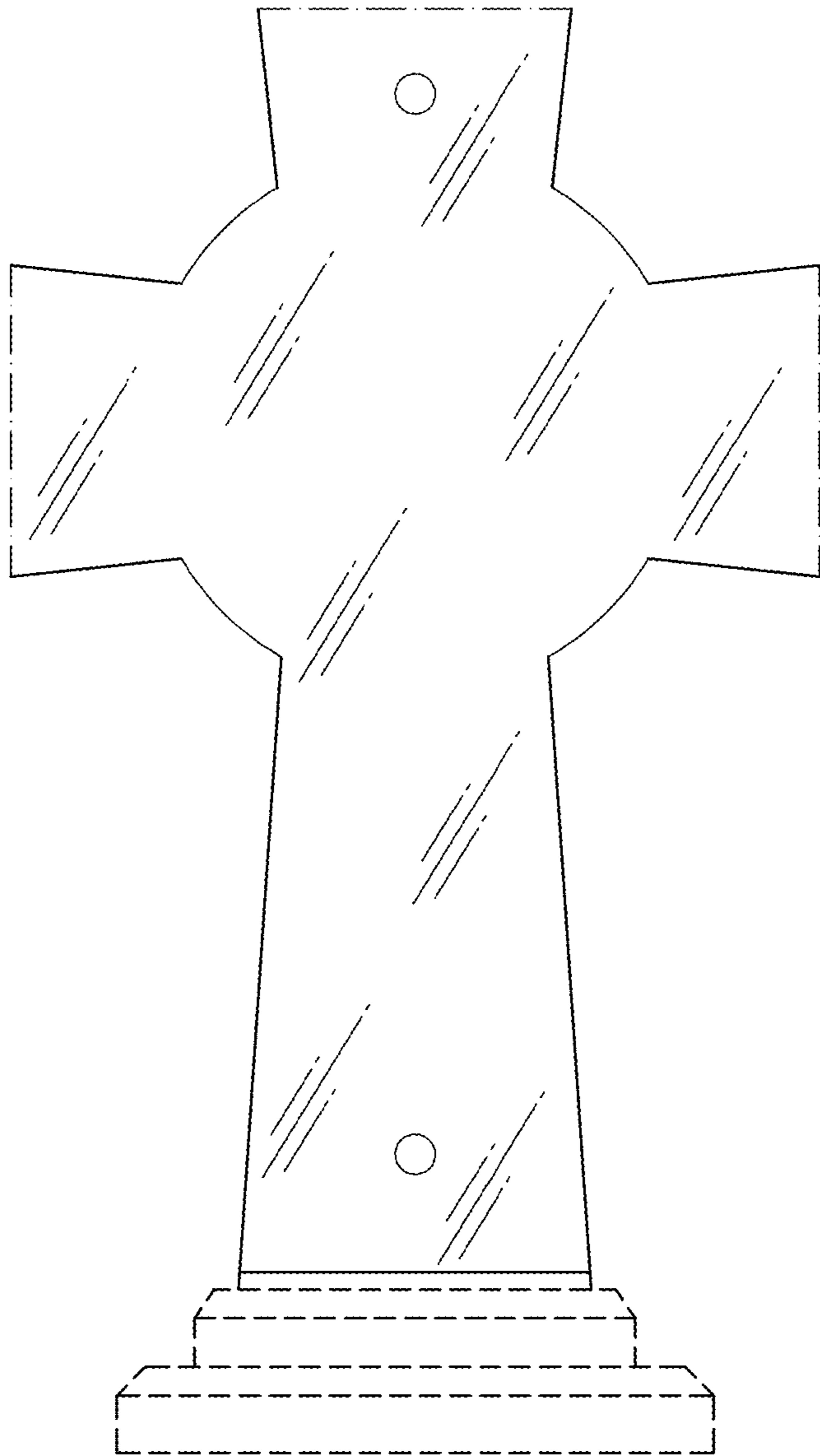


FIG. 11

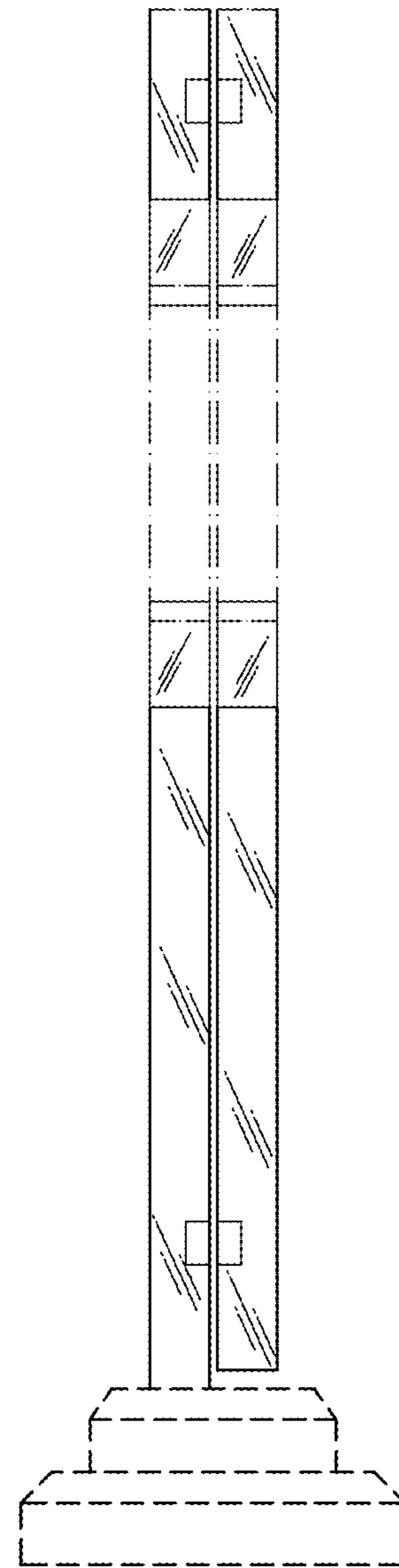


FIG. 12

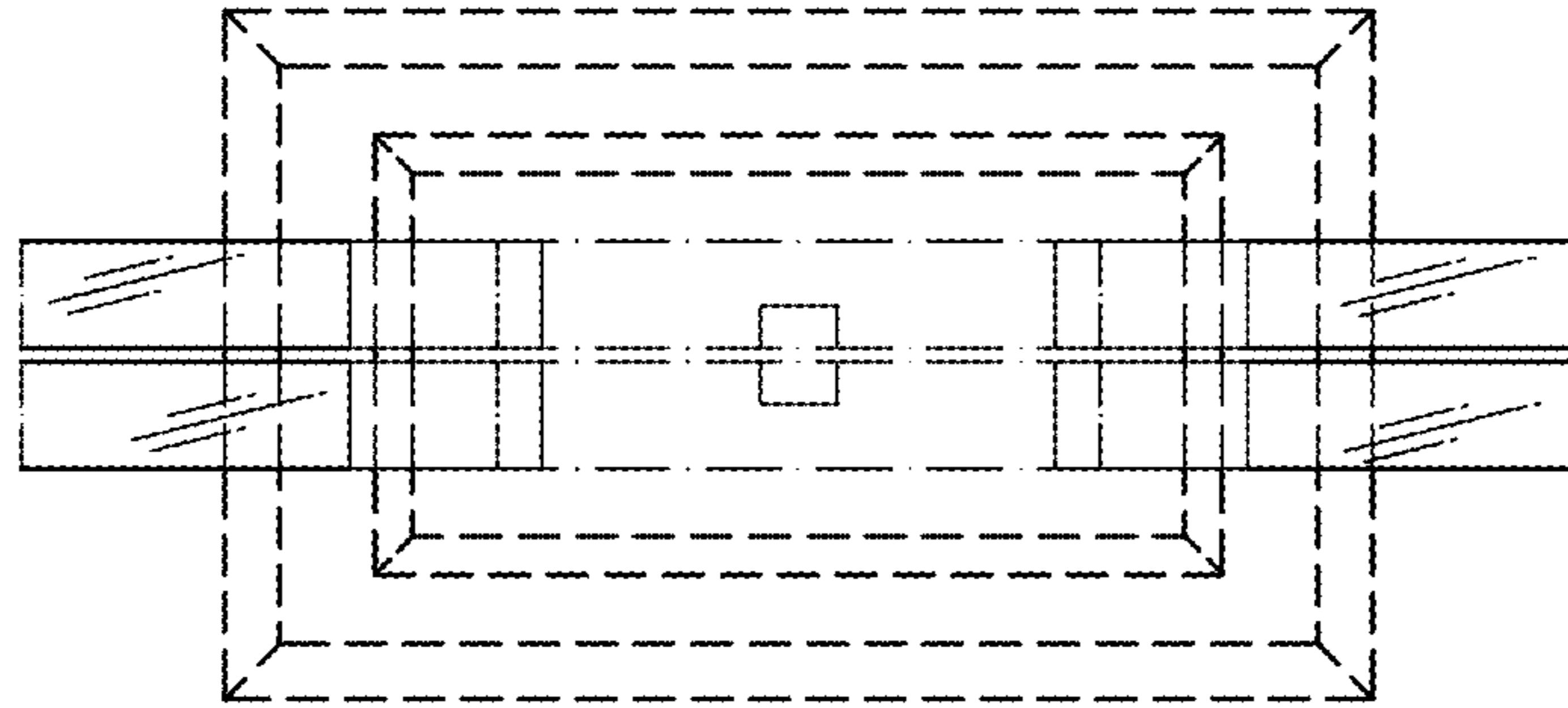


FIG. 13

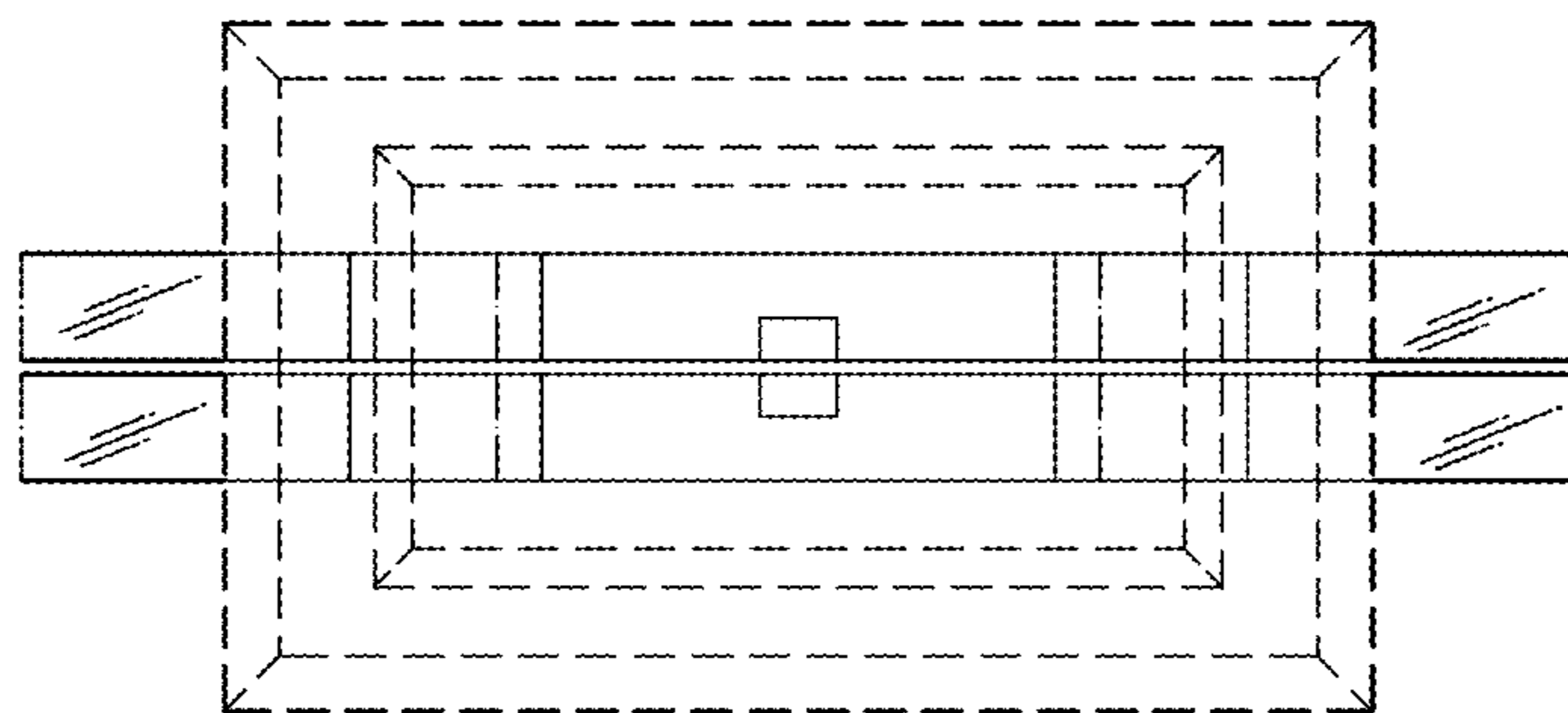


FIG. 14

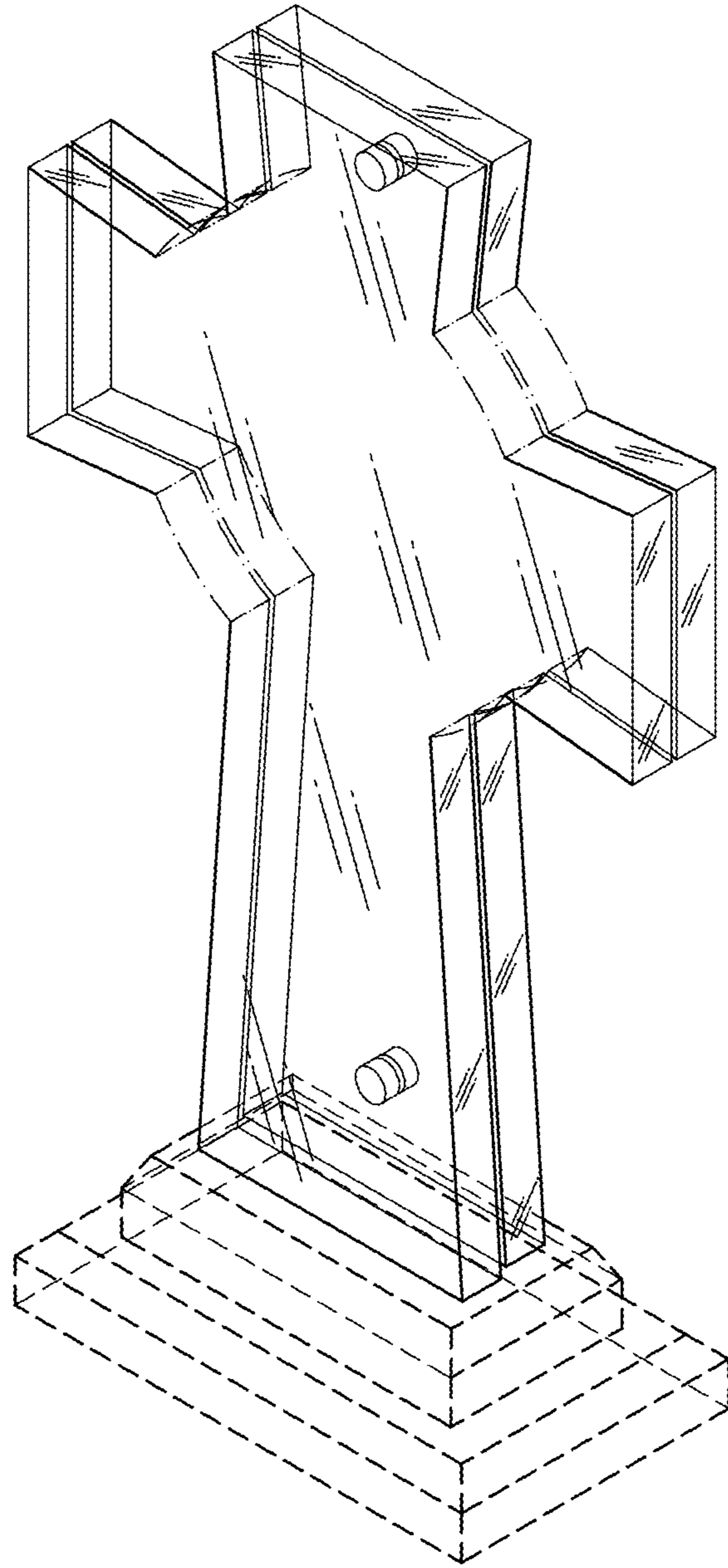


FIG. 15

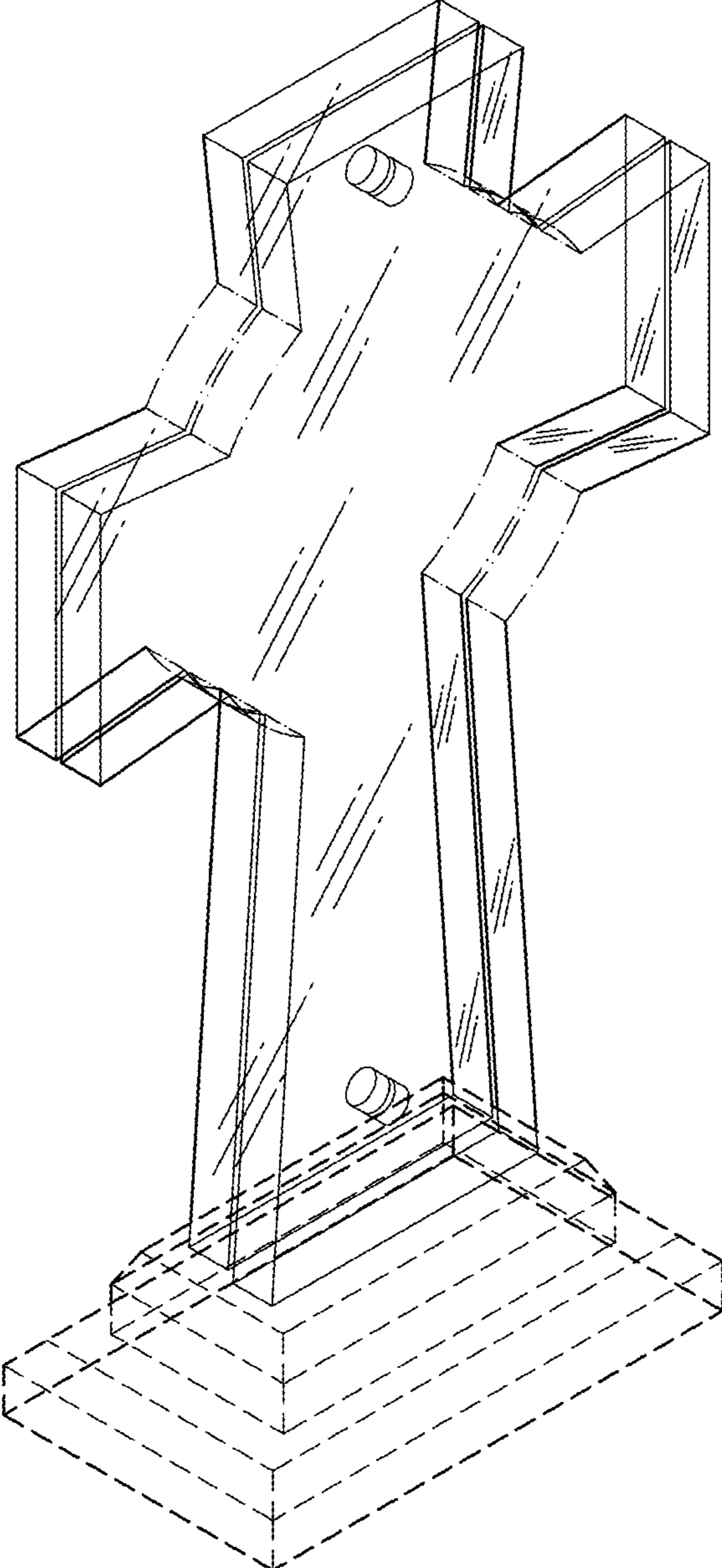


FIG. 16

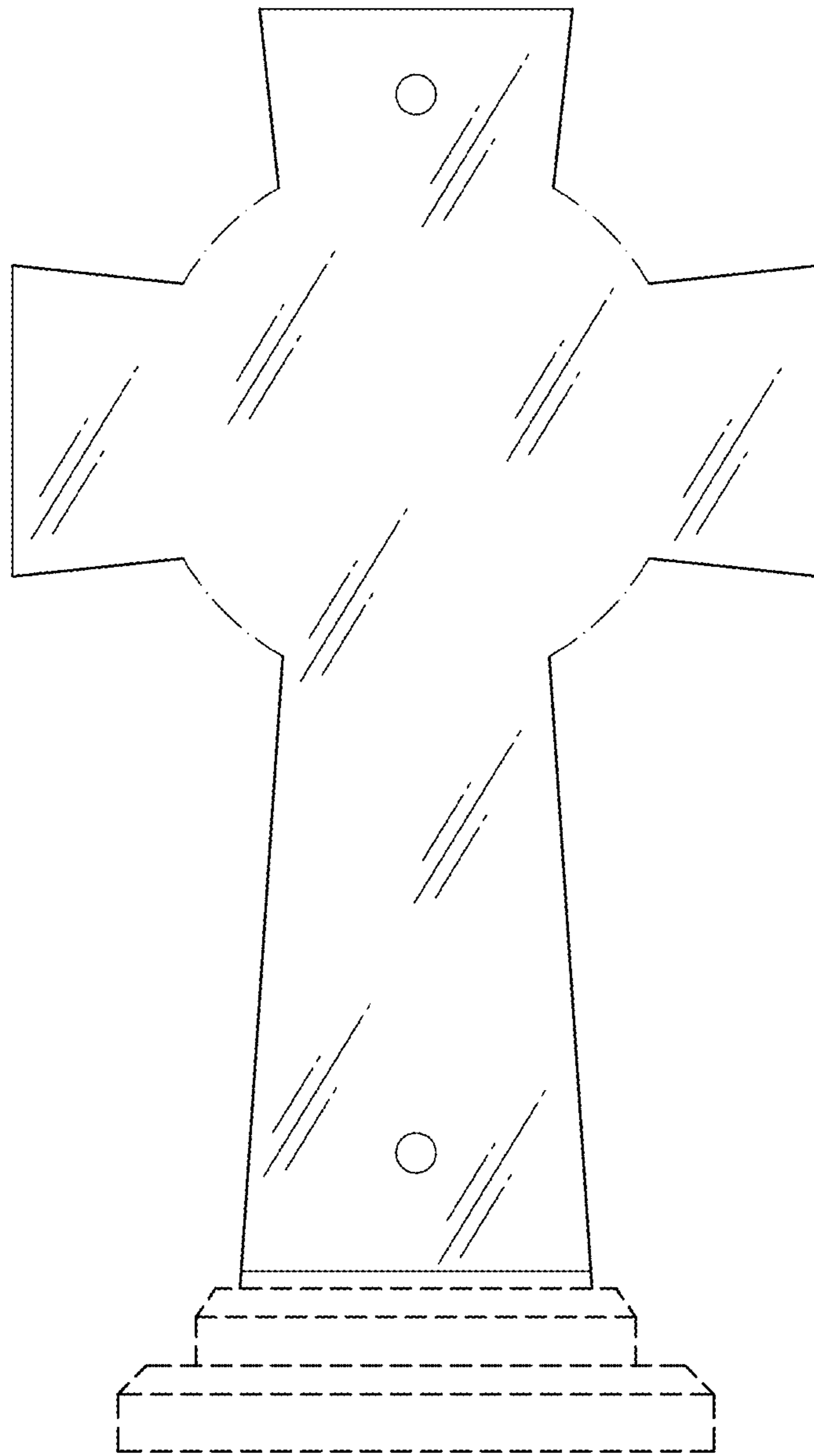


FIG. 17

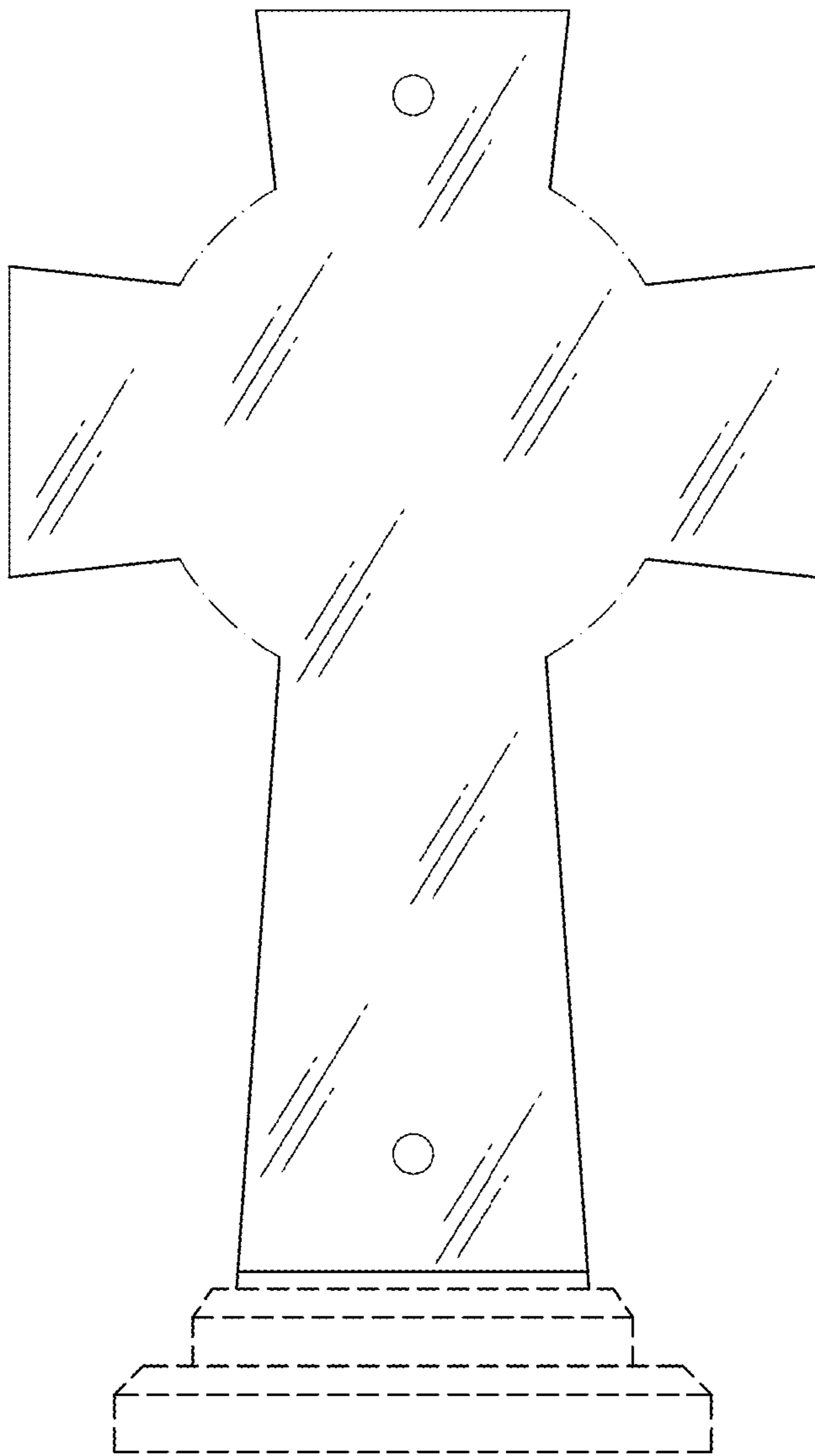


FIG. 18

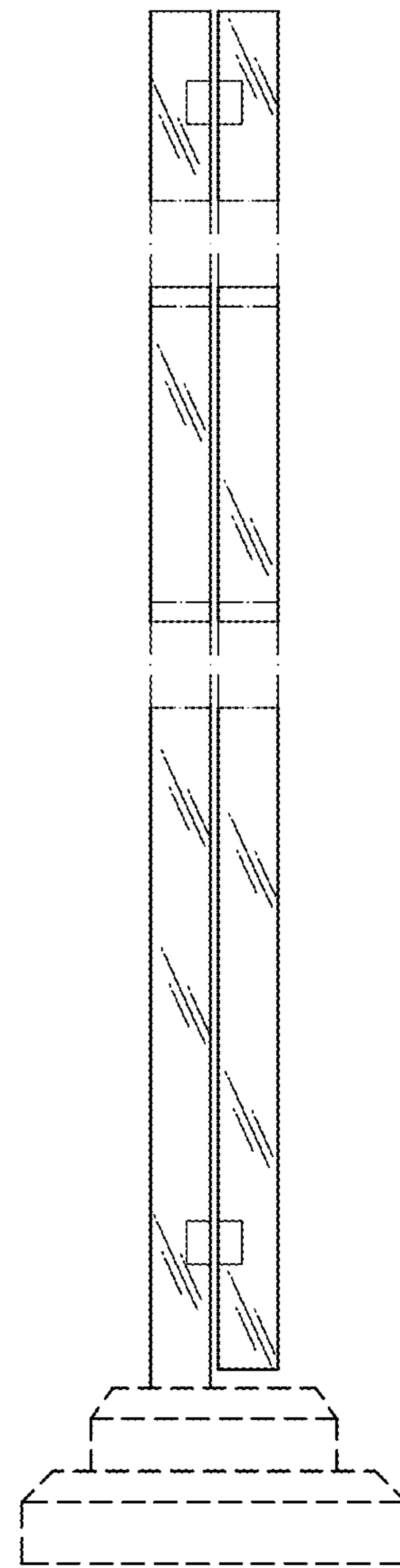


FIG. 19



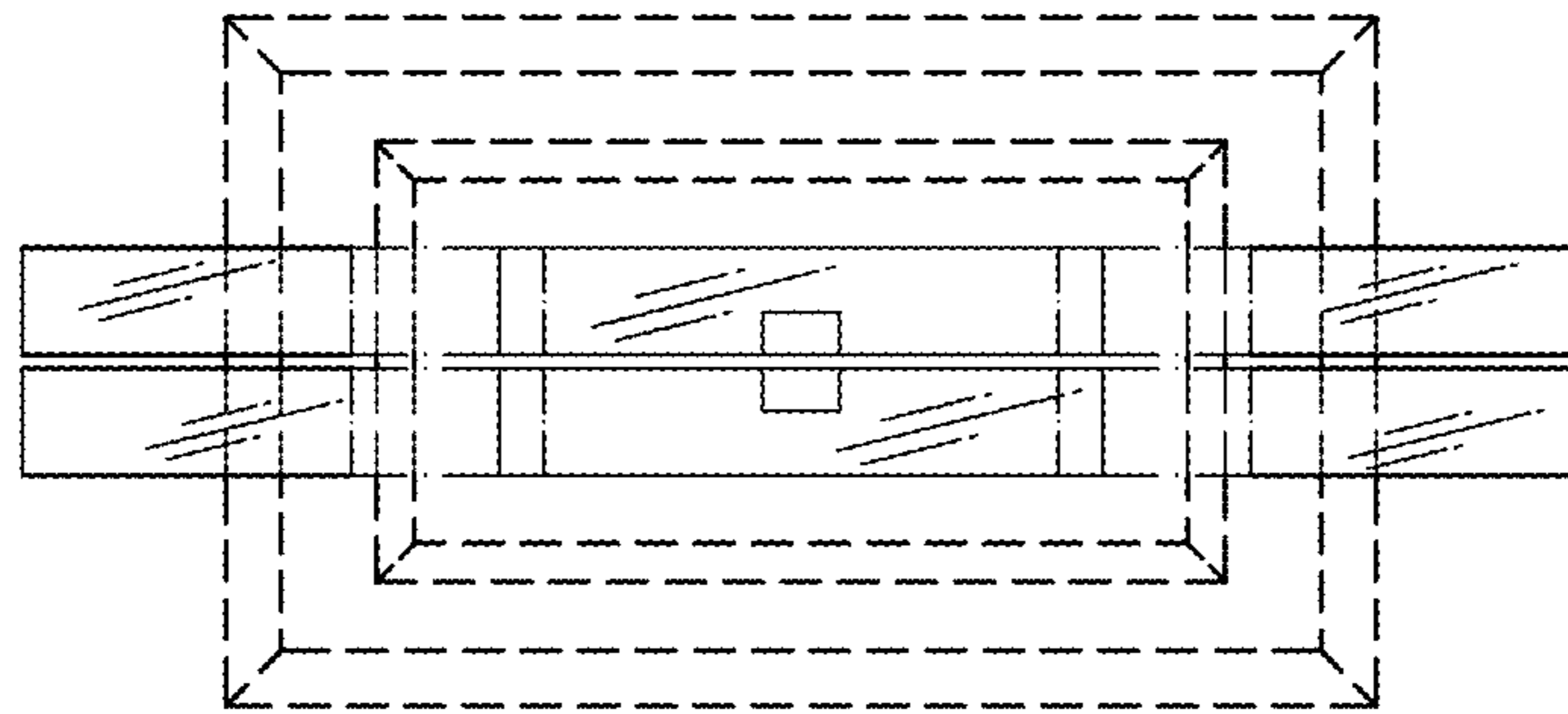


FIG. 20

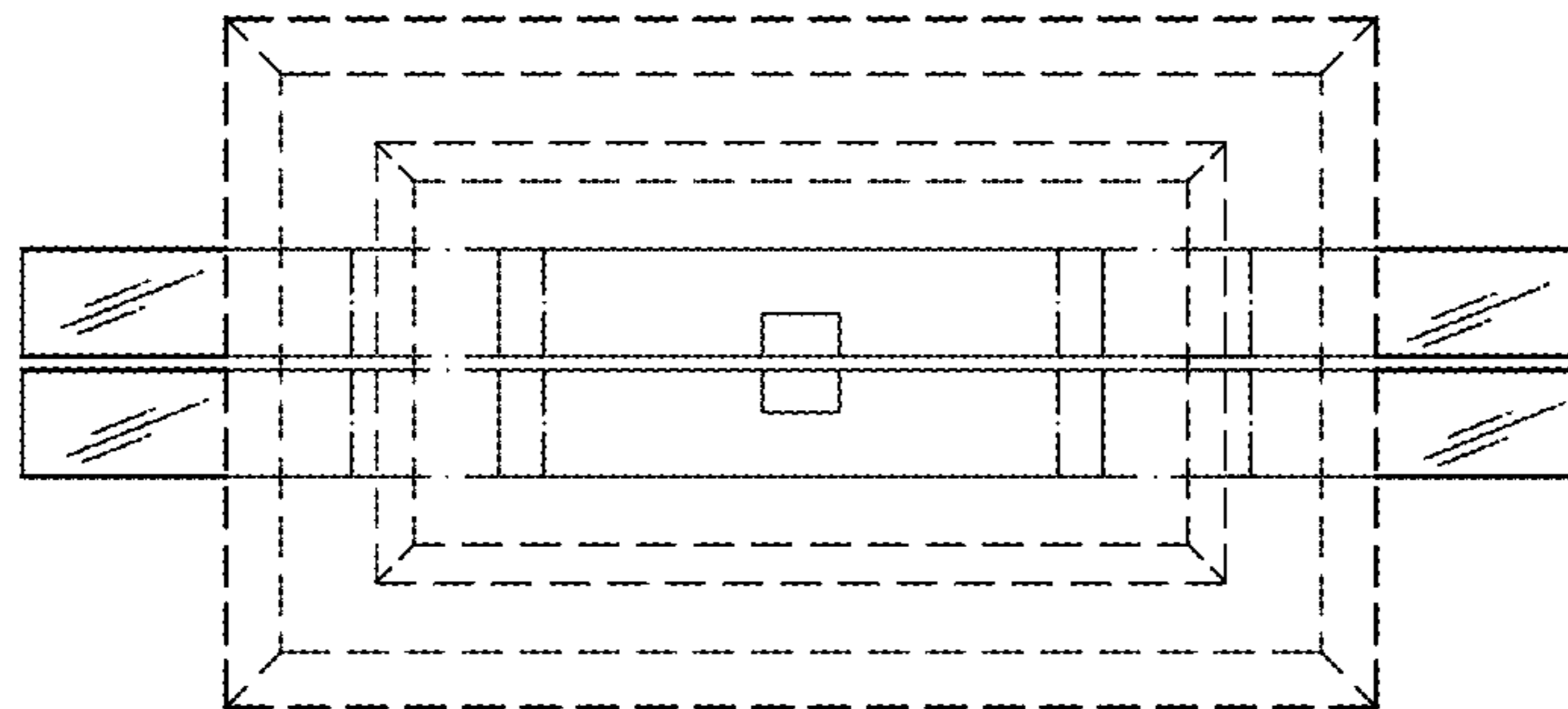


FIG. 21

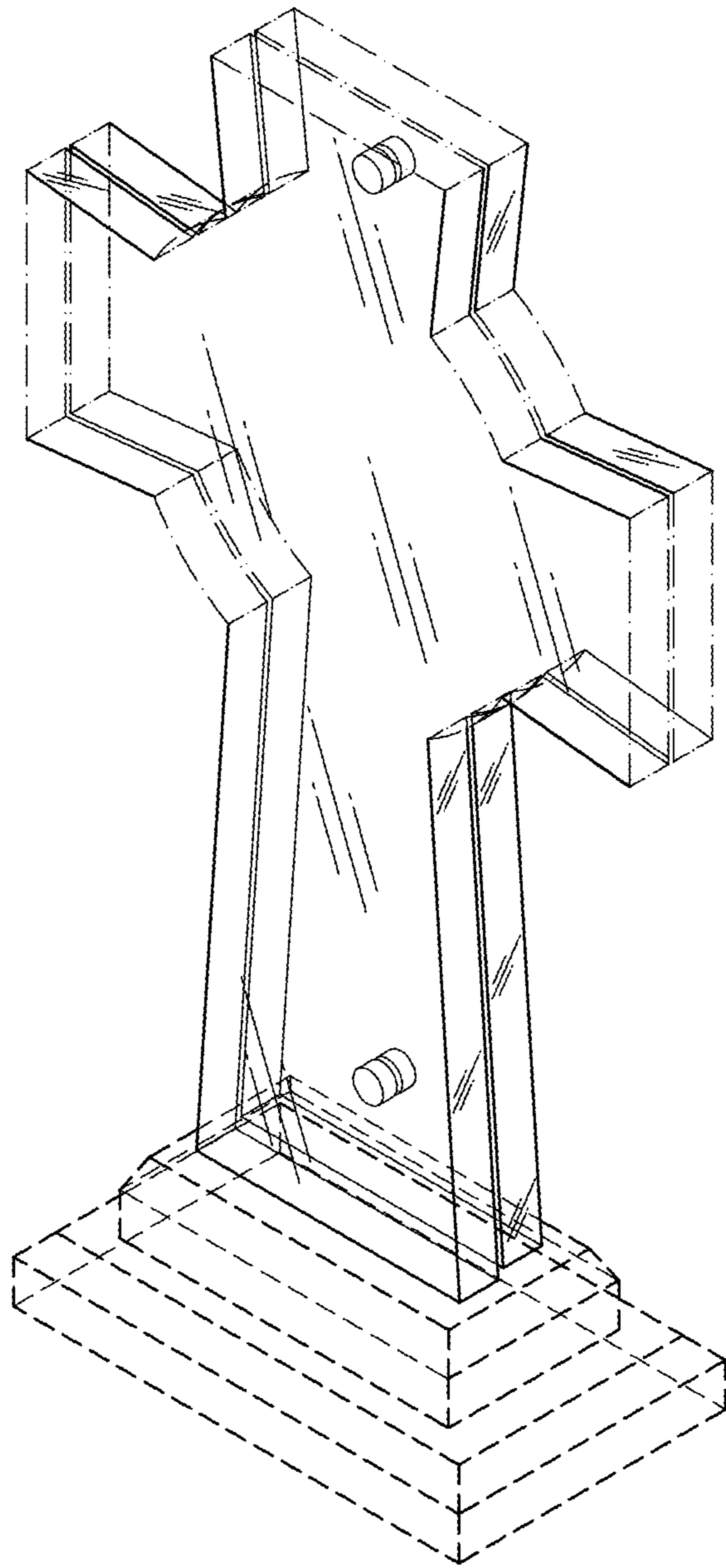


FIG. 22

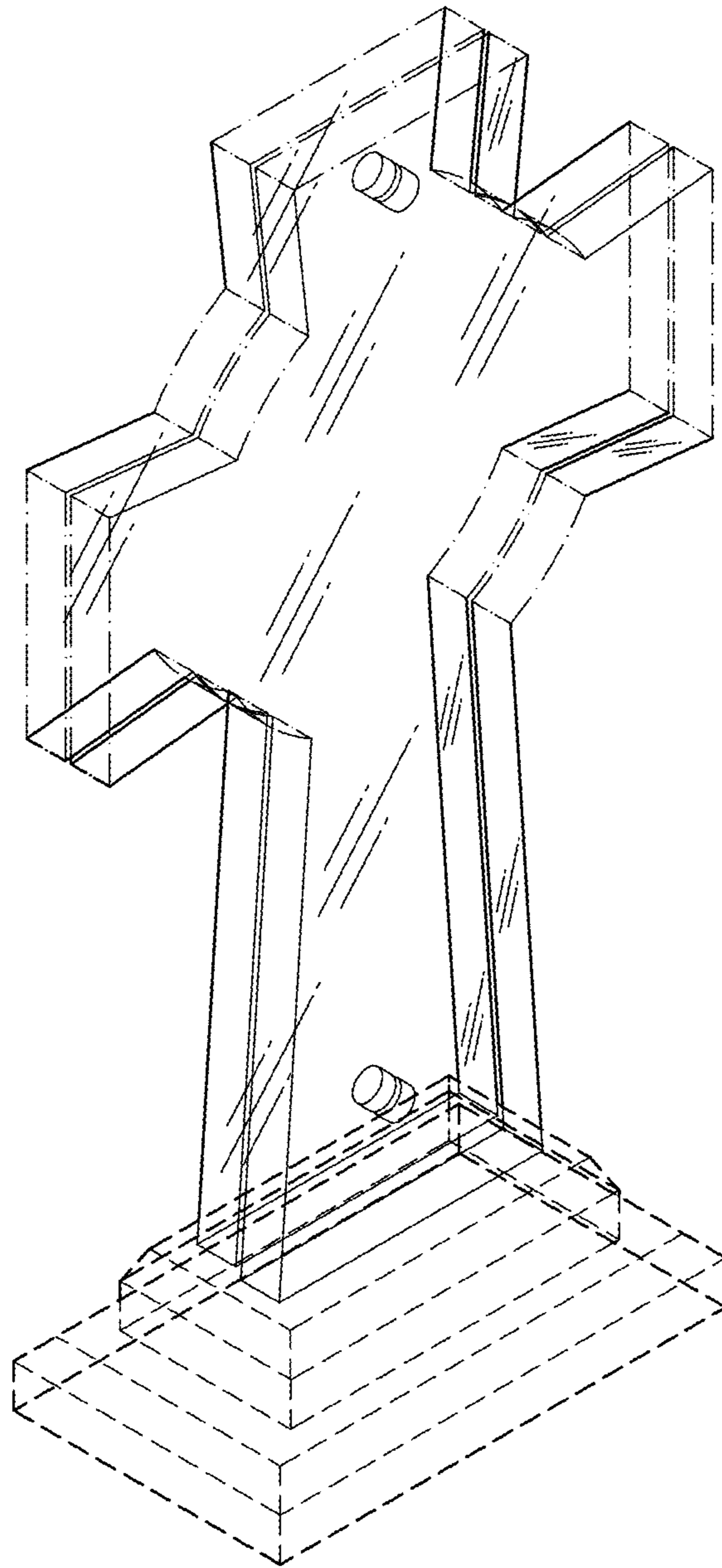


FIG. 23

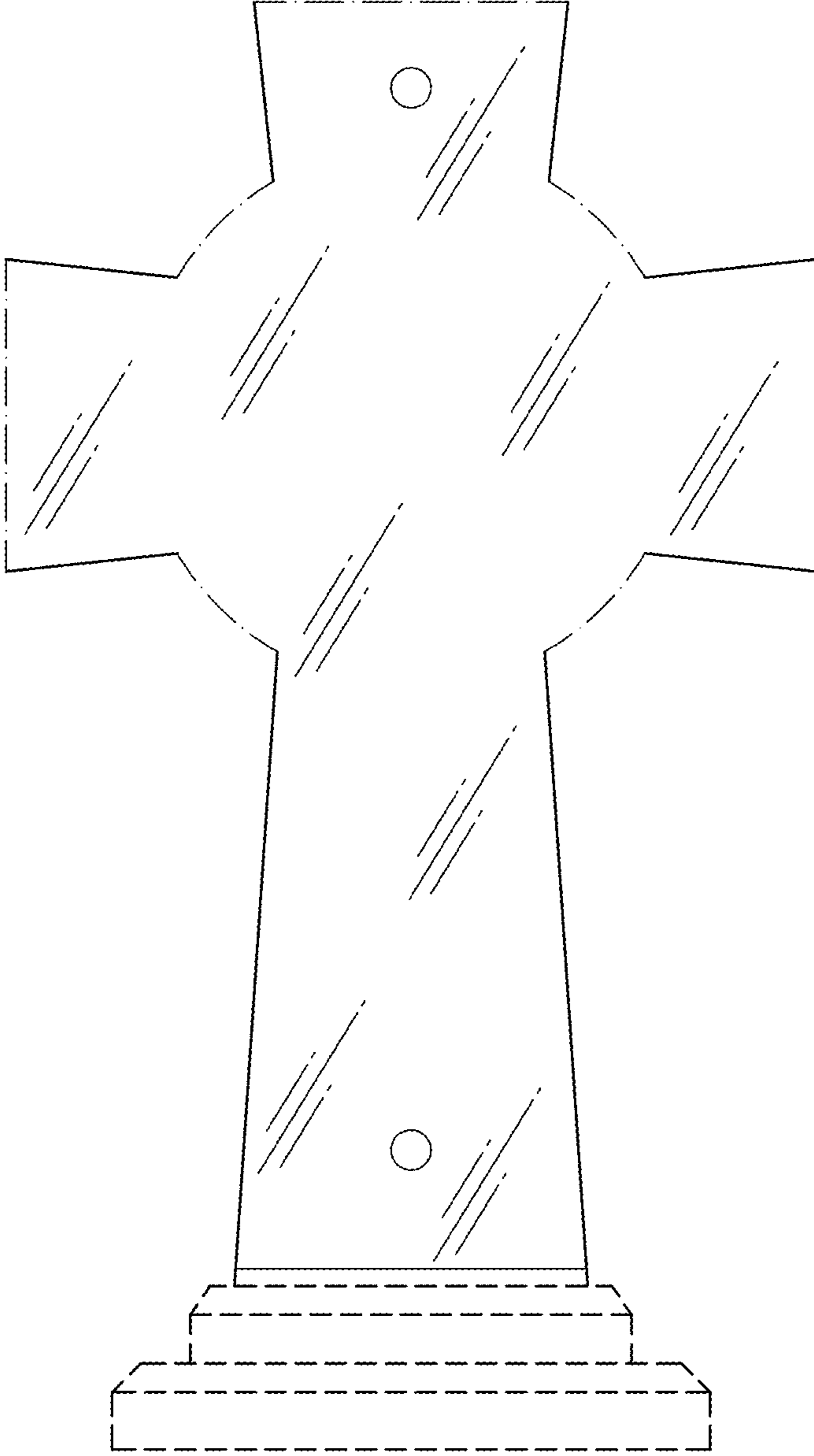


FIG. 24

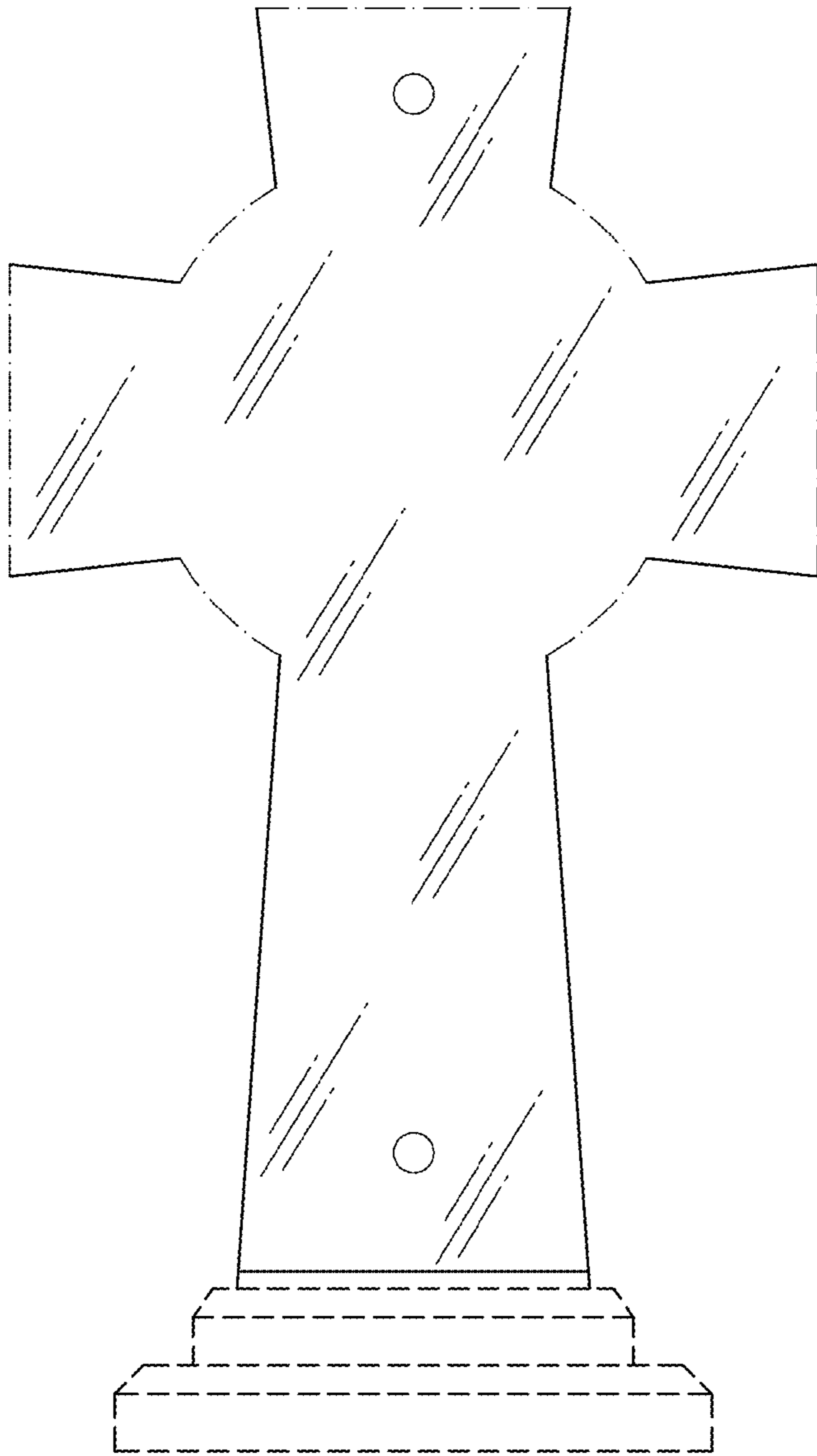


FIG. 25

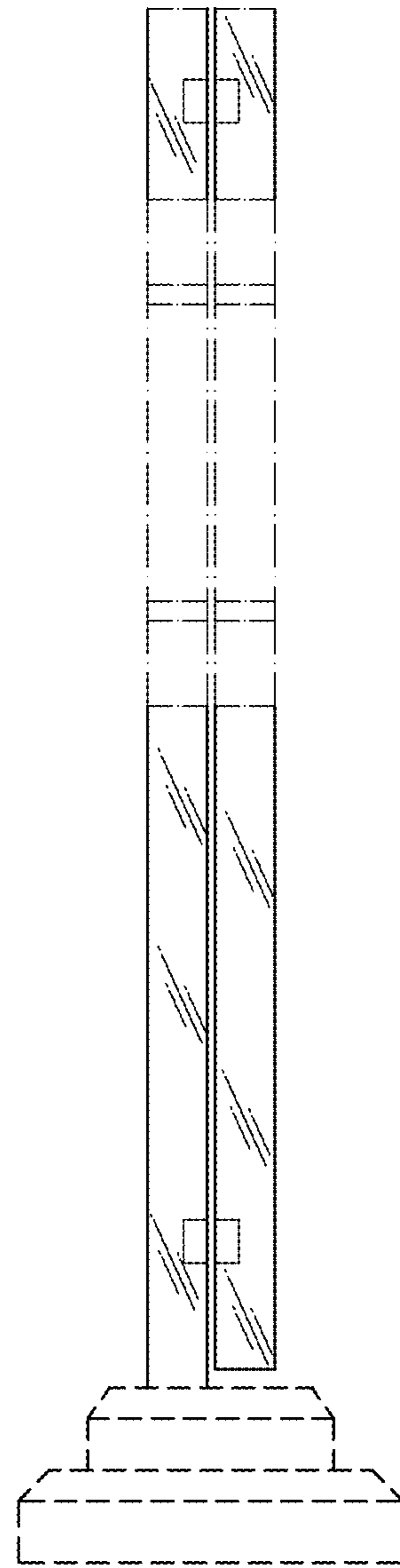


FIG. 26

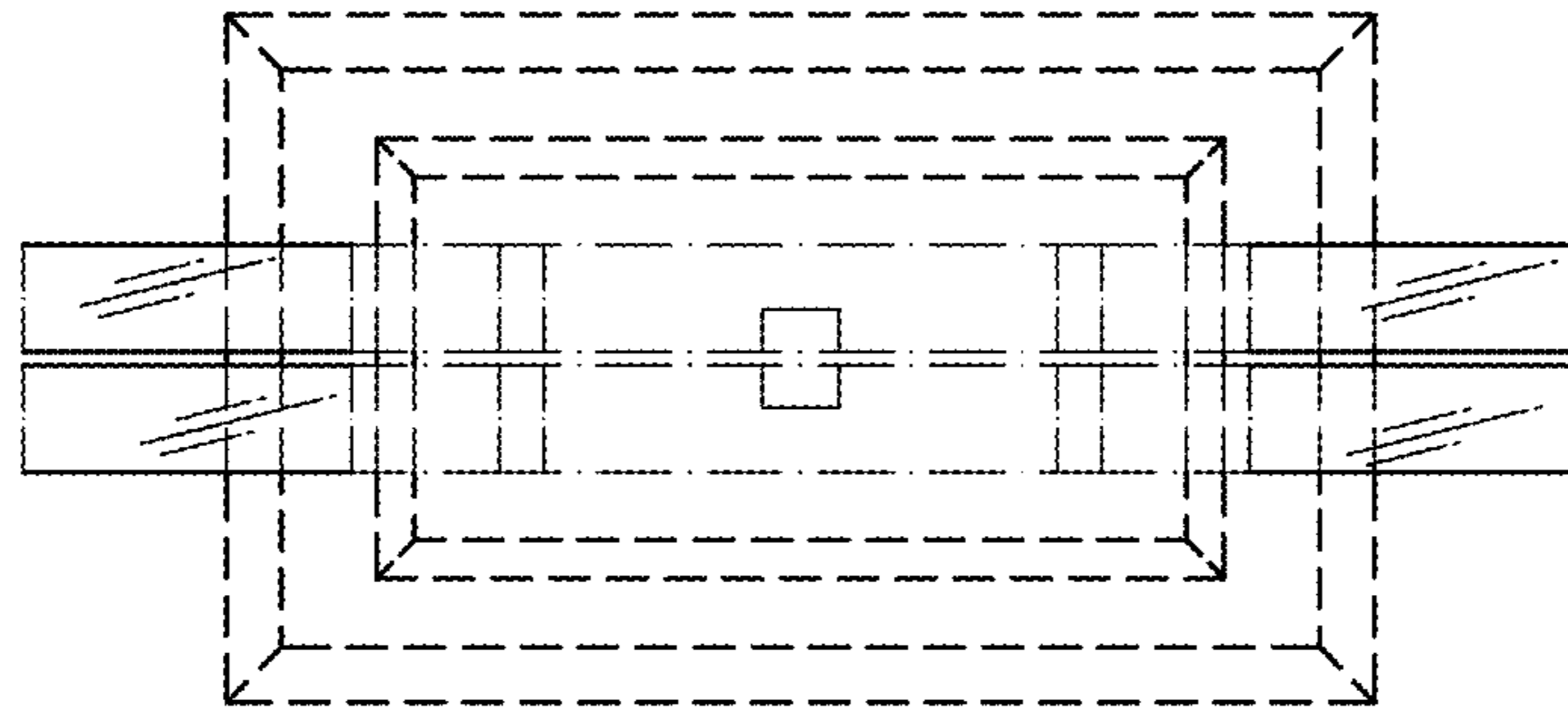


FIG. 27

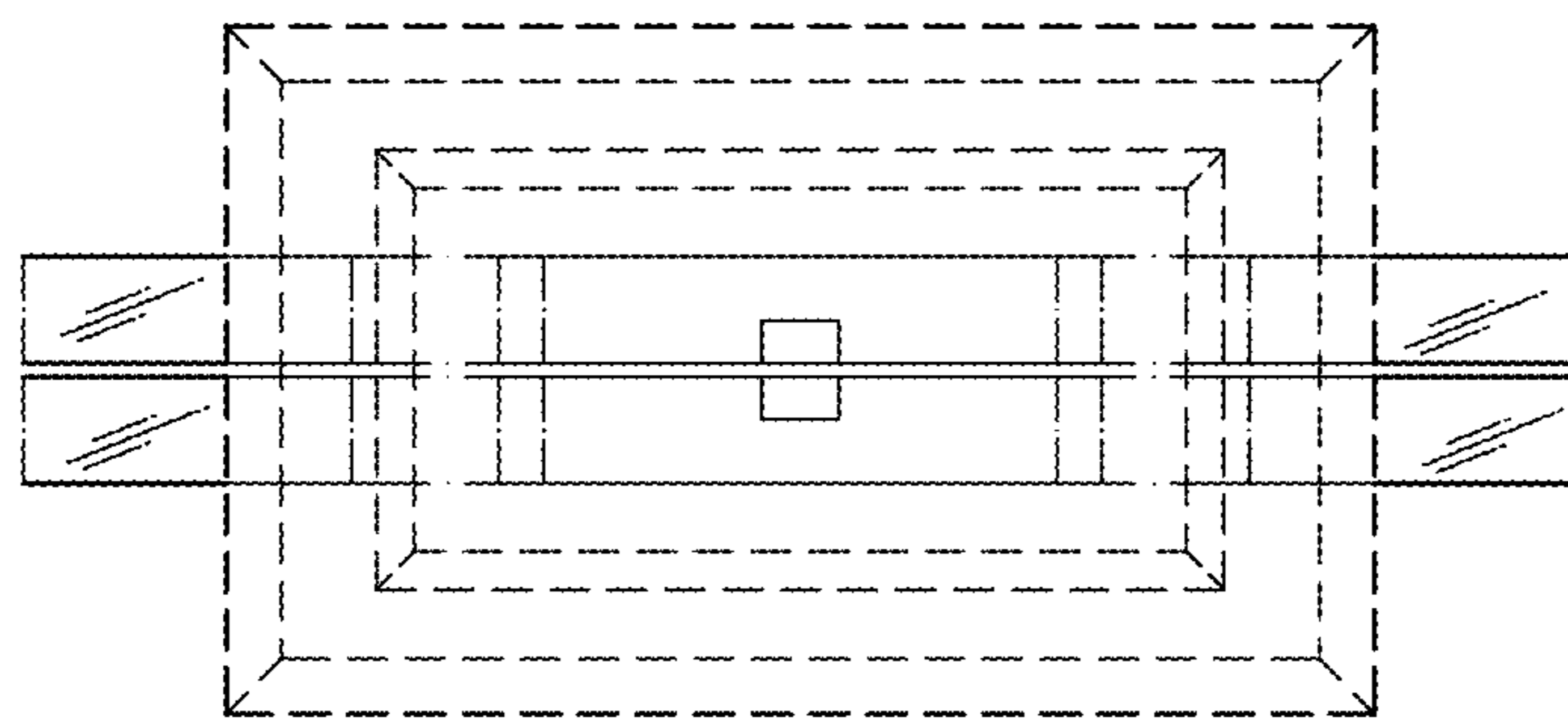


FIG. 28