



US00D768414S

(12) **United States Design Patent**  
**Kroll**

(10) **Patent No.:** **US D768,414 S**  
(45) **Date of Patent:** **\*\* Oct. 11, 2016**

(54) **CROSS-SHAPED DISPLAY FRAME FOR  
INSERTION OF DISPLAY MATERIAL**

(71) Applicant: **William F. Kroll**, Boca Raton, FL (US)

(72) Inventor: **William F. Kroll**, Boca Raton, FL (US)

(\*\*) Term: **14 Years**

(21) Appl. No.: **29/488,398**

(22) Filed: **Apr. 18, 2014**

(51) **LOC (10) Cl.** ..... **06-04**

(52) **U.S. Cl.**

USPC ..... **D6/674**; D20/29; D99/27; D6/303

(58) **Field of Classification Search**

USPC ..... D6/300-314, 343, 352, 362, 391, 514,  
D6/519, 552, 556, 573, 574, 629, 630, 641,  
D6/653, 653.14, 653.21, 661.2, 670,  
D6/672-675, 675.1, 675.3, 675.4, 676.3,  
D6/680.2, 685, 691.5; D11/86, 96, 125,  
D11/157, 122; D20/15, 29; D26/4, 94, 125;  
D99/5, 17, 23, 25, 27; 428/3

CPC ..... A47F 3/00; A47F 5/00; A47G 33/00;  
A47G 33/002; A47G 33/004; A47G 33/006;  
A47G 33/008; A47G 33/02; F16B 12/12;  
F16B 12/14

See application file for complete search history.

(56) **References Cited**

**U.S. PATENT DOCUMENTS**

D33,812 S *	12/1900	Sweet	.....	D99/23
D67,289 S *	5/1925	Ladewich	.....	D99/23
D86,806 S *	4/1932	Reinhold	.....	D99/23
D153,787 S *	5/1949	Goldberg	.....	D11/122
D153,788 S *	5/1949	Goldberg	.....	D6/305
D160,900 S	11/1950	Suhren		
D168,686 S	1/1953	Hunter		
D256,398 S	8/1980	Mitchell		
D338,315 S	8/1993	Larson		
D412,074 S *	7/1999	DeWitt	.....	D6/672
D426,582 S *	6/2000	Noreika	.....	D19/90

D518,939 S	4/2006	Borgerding		
D578,275 S	10/2008	Shantz et al.		
D618,135 S	6/2010	Horst		
D619,926 S	7/2010	Letney		
D654,828 S	2/2012	Piric		
D658,908 S *	5/2012	Kroll	.....	D6/674

(Continued)

*Primary Examiner* — Cathron Brooks

*Assistant Examiner* — Teddy Falloway

(74) *Attorney, Agent, or Firm* — Mark D. Bowen; Malin  
Haley DiMaggio & Bowen, P.A.

(57) **CLAIM**

The ornamental design for a cross-shaped display frame for  
insertion of display material, as shown and described.

**DESCRIPTION**

FIG. 1 is a front perspective view of a cross-shaped display  
frame for insertion of display material in accordance with  
the present invention, with the rear perspective view being  
a mirror image thereof;

FIG. 2 is a front thereof, with the rear view being a mirror  
image thereof;

FIG. 3 is a left side view thereof, with the right side view  
being a mirror image thereof;

FIG. 4 is a top view thereof;

FIG. 5 is a bottom view thereof;

FIG. 6 is a front perspective view of another embodiment of  
a cross-shaped display frame for insertion of display mate-  
rial in accordance with the present invention, with the rear  
perspective view being a mirror image thereof;

FIG. 7 is a front thereof, with the rear view being a mirror  
image thereof;

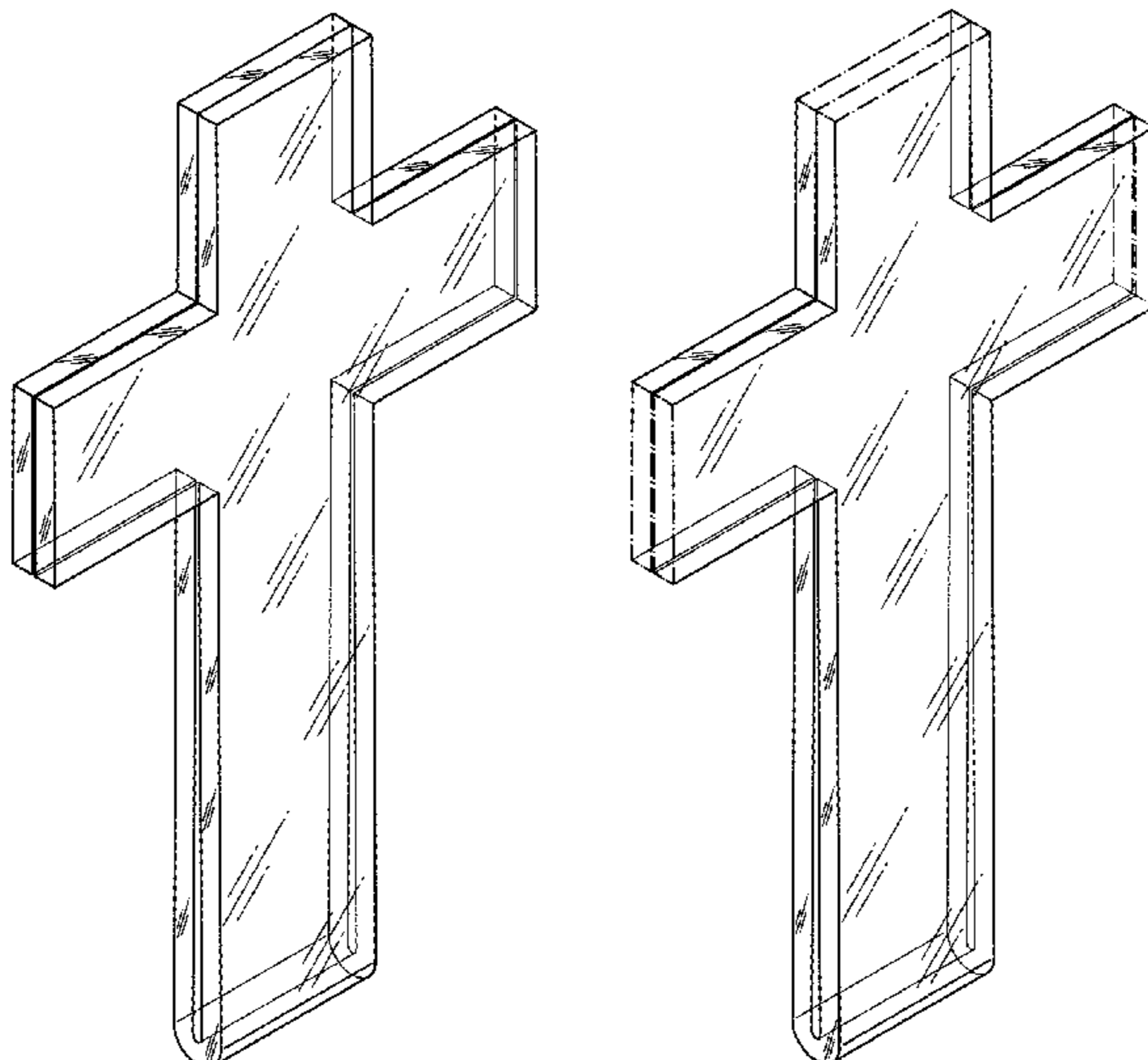
FIG. 8 is a left side view thereof, with the right side view  
being a mirror image thereof;

FIG. 9 is a top view thereof; and,

FIG. 10 is a bottom view thereof.

The dot-dash broken lines in FIGS. 6-10 represent the  
bounds of the claimed design and form no part thereof.

**1 Claim, 6 Drawing Sheets**



(56)

References Cited

U.S. PATENT DOCUMENTS

D659,430 S *	5/2012	Kroll	.....	D6/674	RE45,546 E *	6/2015	Kroll	.....	D6/674
D659,431 S *	5/2012	Kroll	.....	D6/674	RE45,560 E *	6/2015	Kroll	.....	D6/300
D659,432 S *	5/2012	Kroll	.....	D6/674	RE45,622 E *	7/2015	Kroll	.....	D6/300
D671,770 S *	12/2012	Kroll	.....	D6/674	D745,793 S *	12/2015	Kroll	.....	D20/29
D685,675 S	7/2013	Dubow			D746,086 S *	12/2015	Kroll	.....	D20/29
D710,706 S *	8/2014	Tussy	.....	D9/600	RE45,843 E *	1/2016	Kroll	.....	D6/300
RE45,427 E *	3/2015	Kroll	.....	D6/300	D752,367 S *	3/2016	Kroll	.....	D20/29
RE45,428 E *	3/2015	Kroll	.....	D6/300	D752,368 S *	3/2016	Kroll	.....	D20/29
					D757,466 S *	5/2016	Kroll	.....	D20/29
					RE46,061 E *	7/2016	Kroll	.....	D6/674

\* cited by examiner

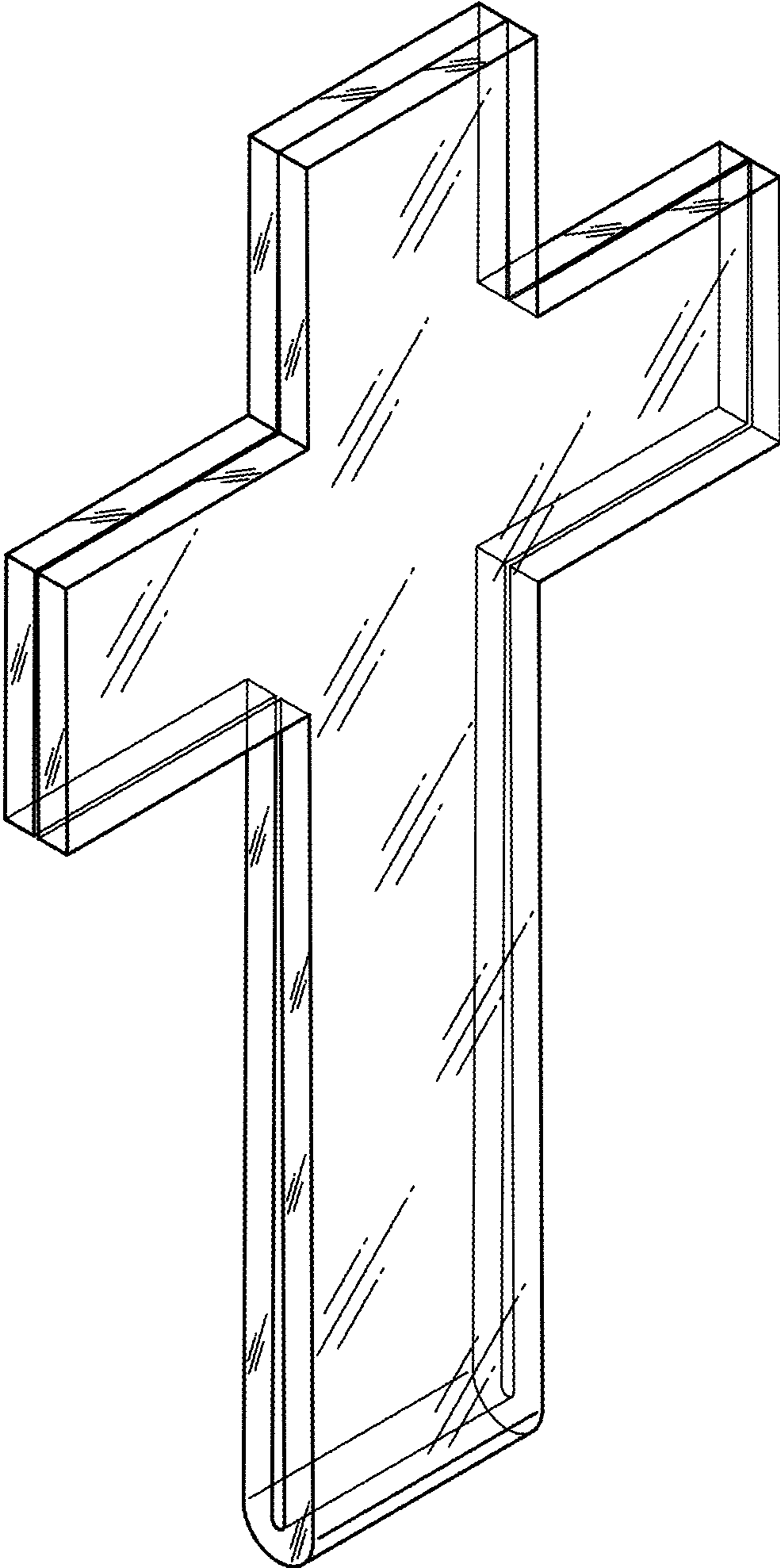


FIG. 1

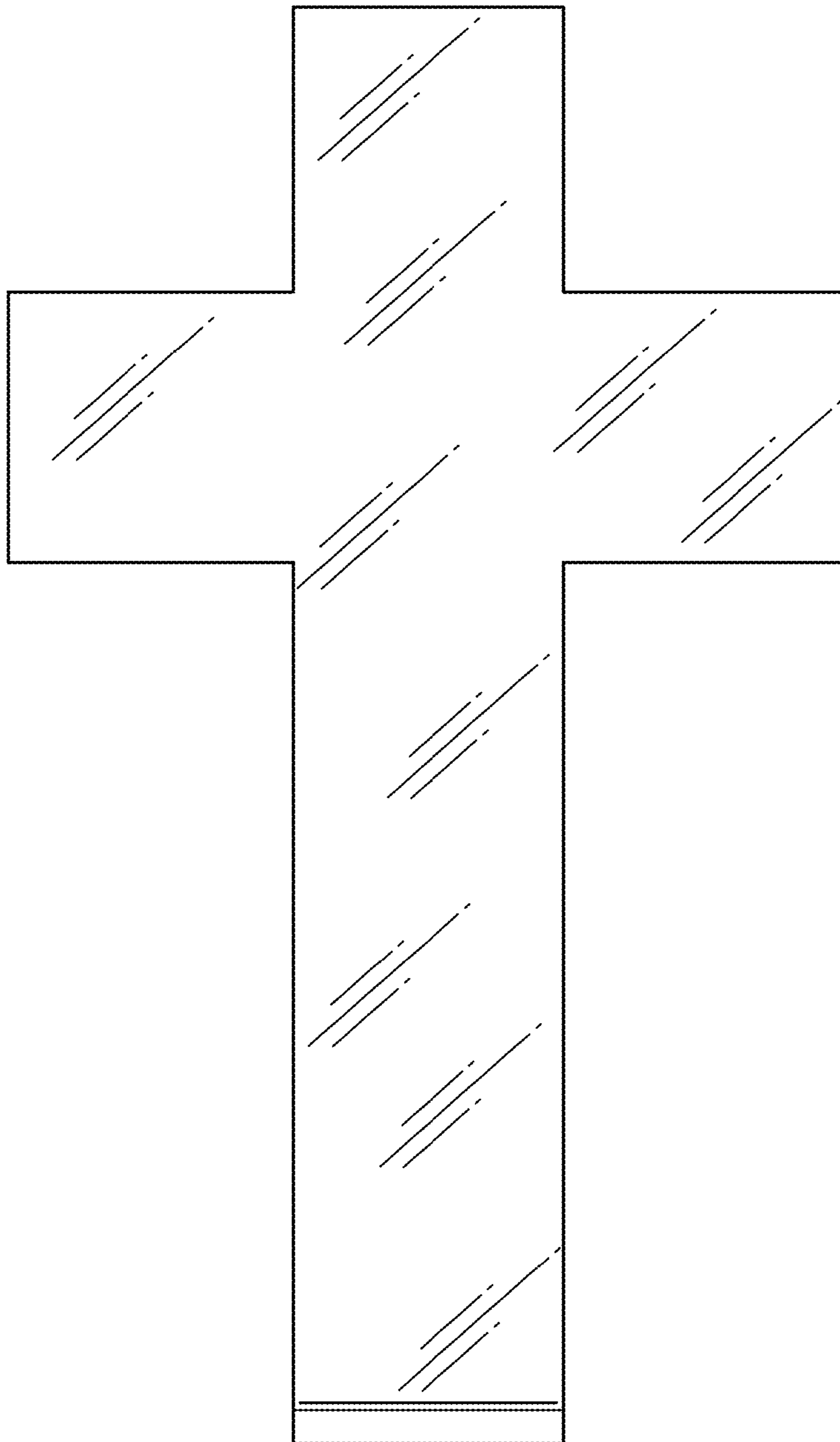


FIG. 2

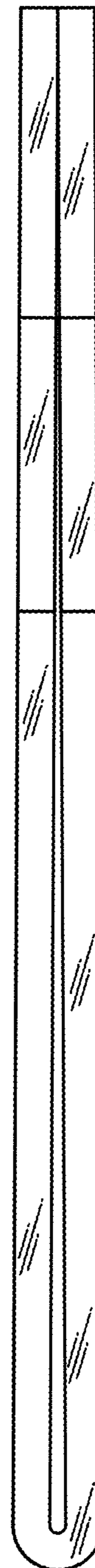


FIG. 3

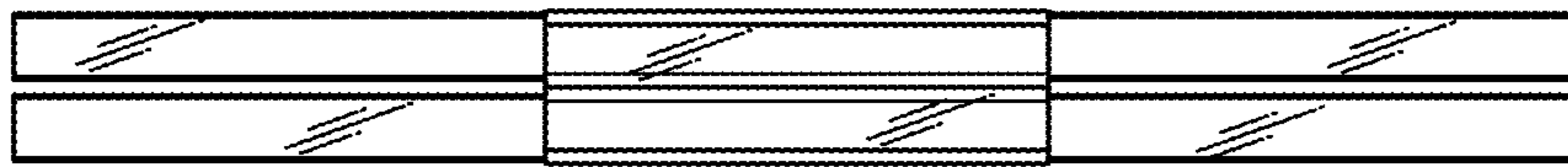


FIG. 4

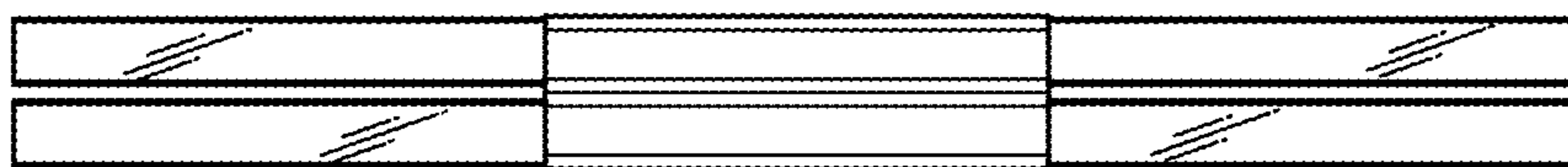


FIG. 5

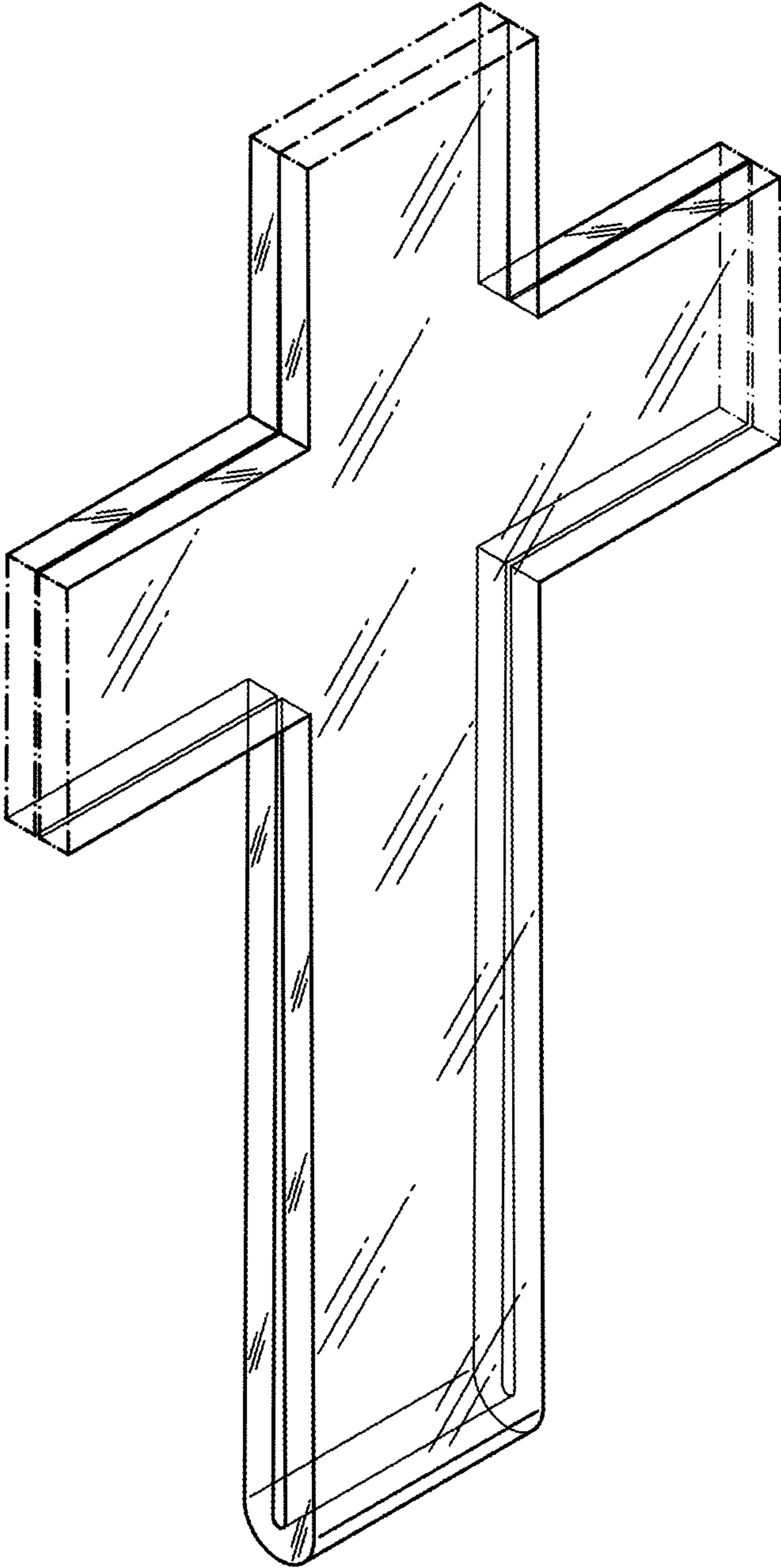


FIG. 6

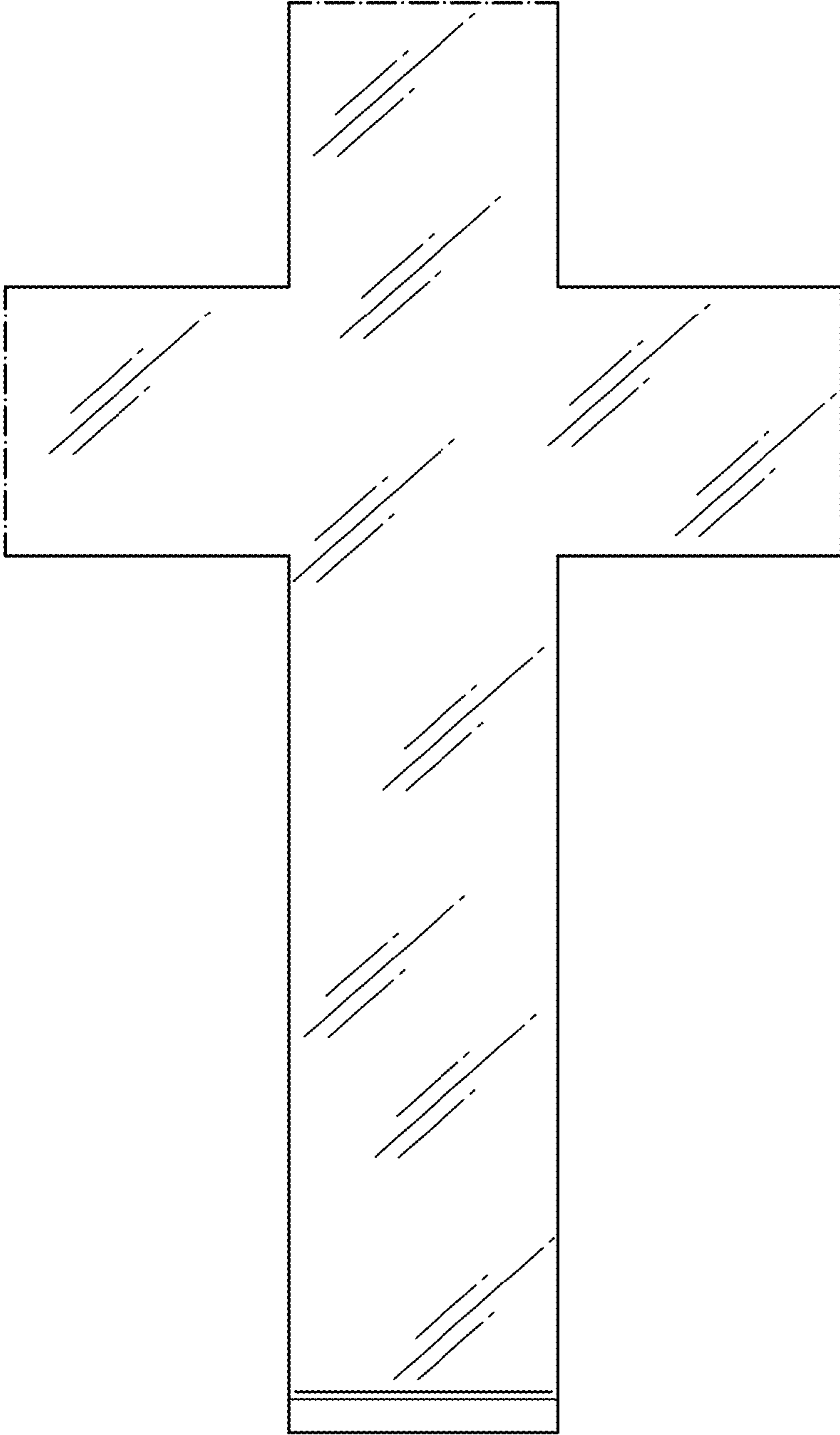


FIG. 7



FIG. 8

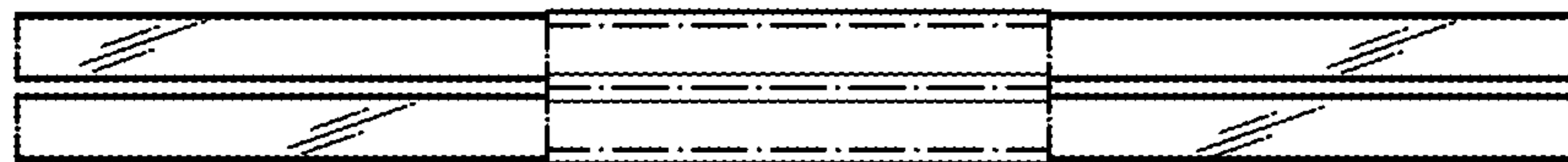


FIG. 9

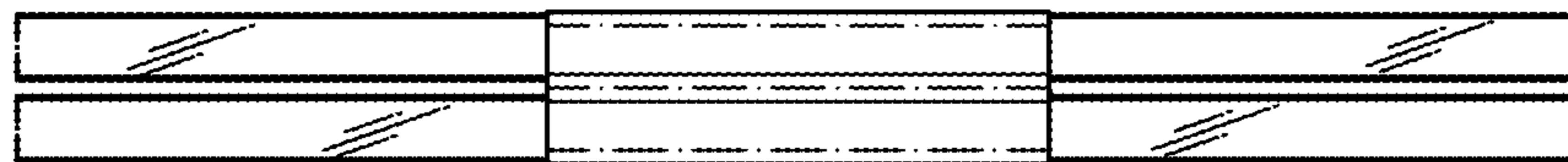


FIG. 10