



US00D768413S

(12) **United States Design Patent** (10) **Patent No.:** **US D768,413 S**
Huang (45) **Date of Patent:** **** Oct. 11, 2016**

- (54) **SIDEBOARD**
- (71) Applicant: **Hua Chang Huang**, Fujian Province (CN)
- (72) Inventor: **Hua Chang Huang**, Fujian Province (CN)
- (**) Term: **14 Years**
- (21) Appl. No.: **29/526,605**
- (22) Filed: **May 12, 2015**
- (51) **LOC (10) Cl.** **06-04**
- (52) **U.S. Cl.**
USPC **D6/671**
- (58) **Field of Classification Search**
USPC D6/663, 661, 667, 671, 671.1, 671.2, D6/671.3, 671.4
CPC A47B 17/04; A47B 45/00; A47B 67/00; A47B 67/04; A47B 88/00; A47B 88/04; A47B 88/044
See application file for complete search history.

- 3,700,300 A * 10/1972 Davis A47B 67/04 312/257.1
- D244,074 S * 4/1977 Zola D6/671
- D363,392 S * 10/1995 Paus D6/671.2
- D371,018 S * 6/1996 Paus D6/661
- D384,836 S * 10/1997 Lenger D6/671
- D479,058 S * 9/2003 Walker D6/671
- D560,391 S * 1/2008 Draheim D6/671
- D653,051 S * 1/2012 Lin D6/661

* cited by examiner

Primary Examiner — Mimosa De

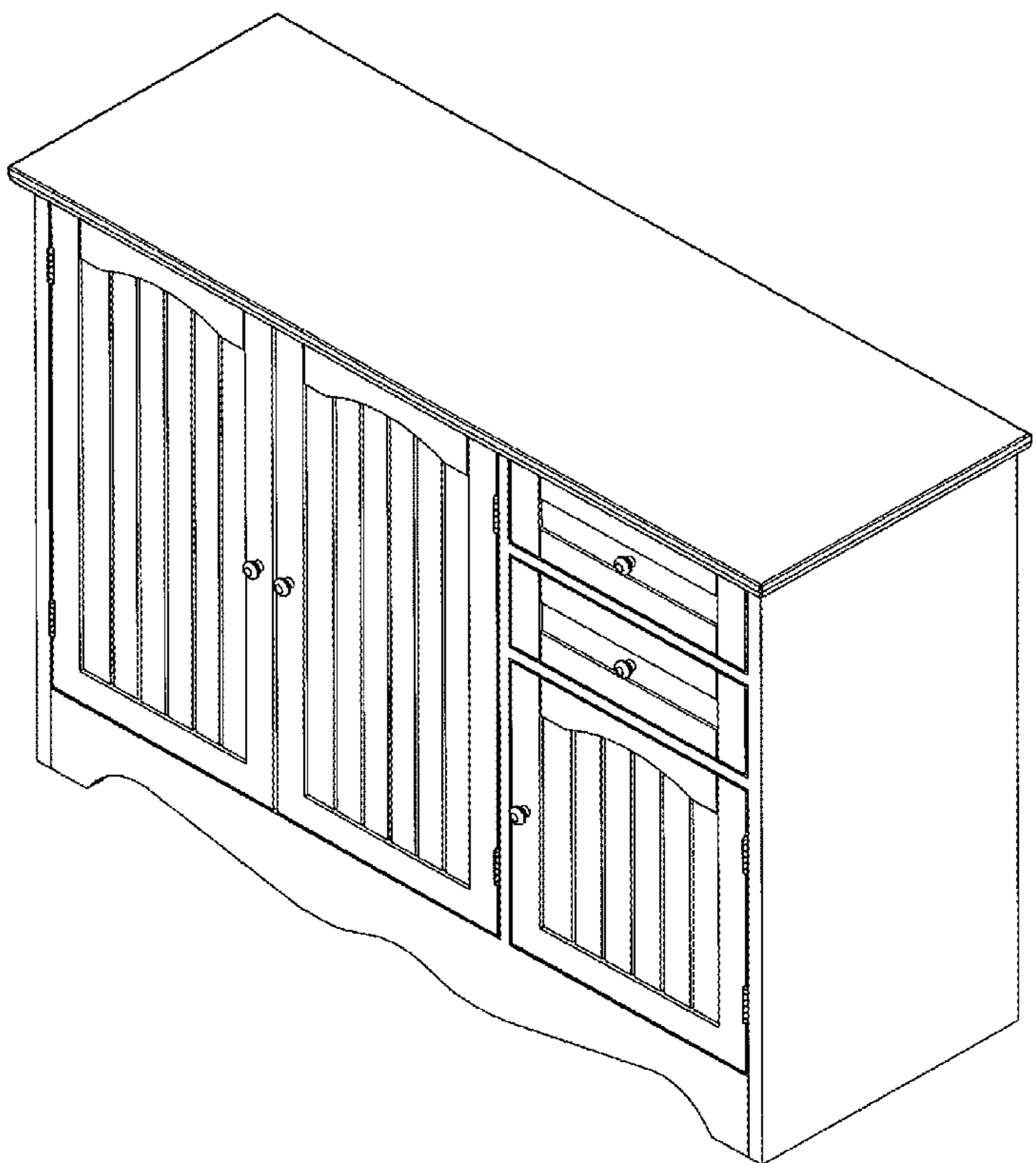
(57) **CLAIM**
The ornamental design for a sideboard, as shown and described.

DESCRIPTION

FIG. 1 is a front elevational view of a sideboard showing my new design;
FIG. 2 is a rear elevational view thereof;
FIG. 3 is a left side view thereof;
FIG. 4 is a right side view thereof;
FIG. 5 is a top plan view thereof;
FIG. 6 is a bottom plan view thereof;
FIG. 7 is a perspective view thereof;
FIG. 8 is a second perspective view thereof;
FIG. 9 is a third perspective view thereof; and,
FIG. 10 is a fourth perspective view thereof.
The broken lines showing of the screws in the drawing are for illustrative purposes only and form no part of the claimed design.

1 Claim, 7 Drawing Sheets

- (56) **References Cited**
U.S. PATENT DOCUMENTS
D44,093 S * 5/1913 Ellis D6/671.2
D45,235 S * 2/1914 McClernan D6/671.2
D46,047 S * 7/1914 Curtenius D6/671.2
D48,308 S * 12/1915 Coss D6/671.2



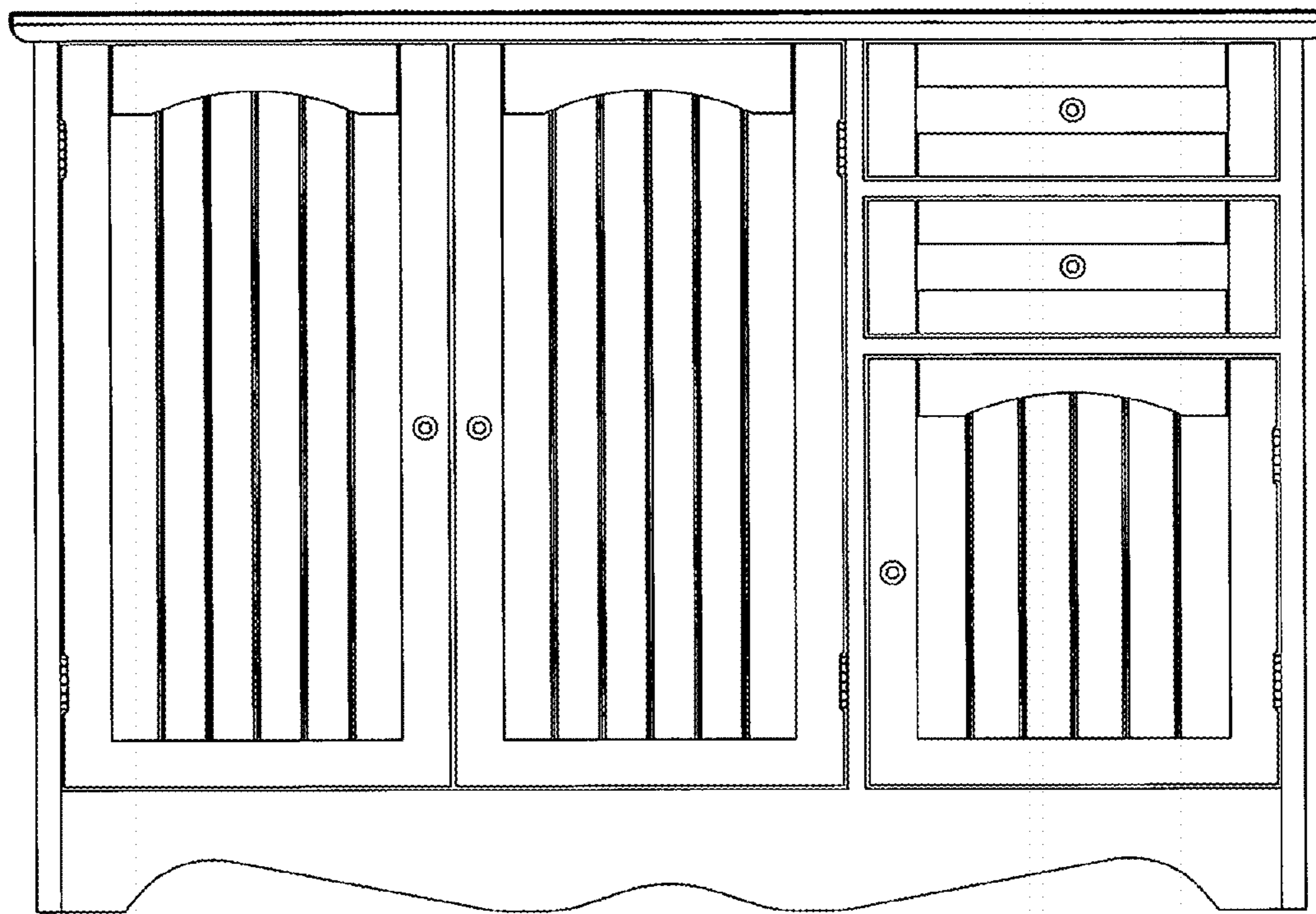


FIG. 1

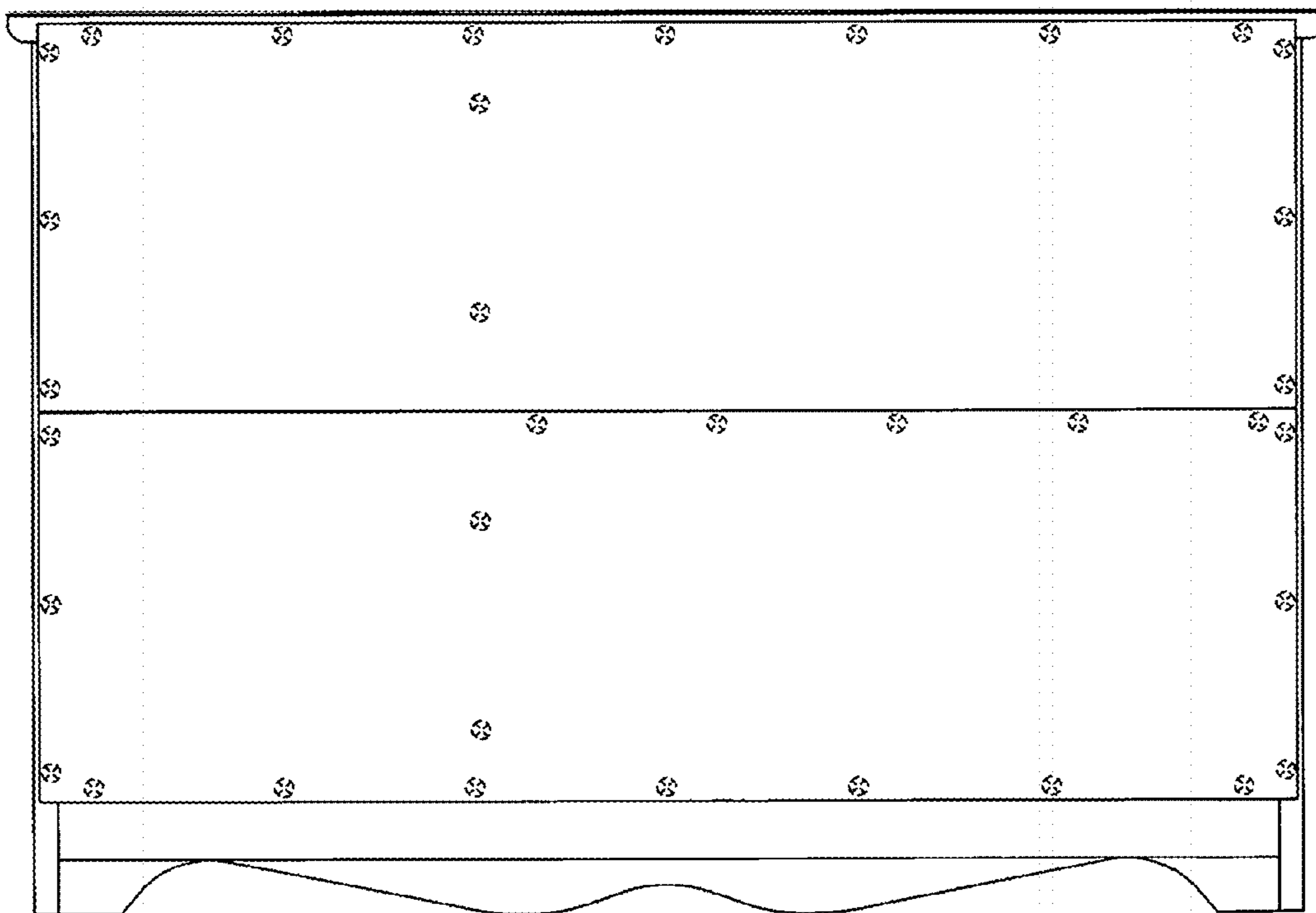


FIG. 2

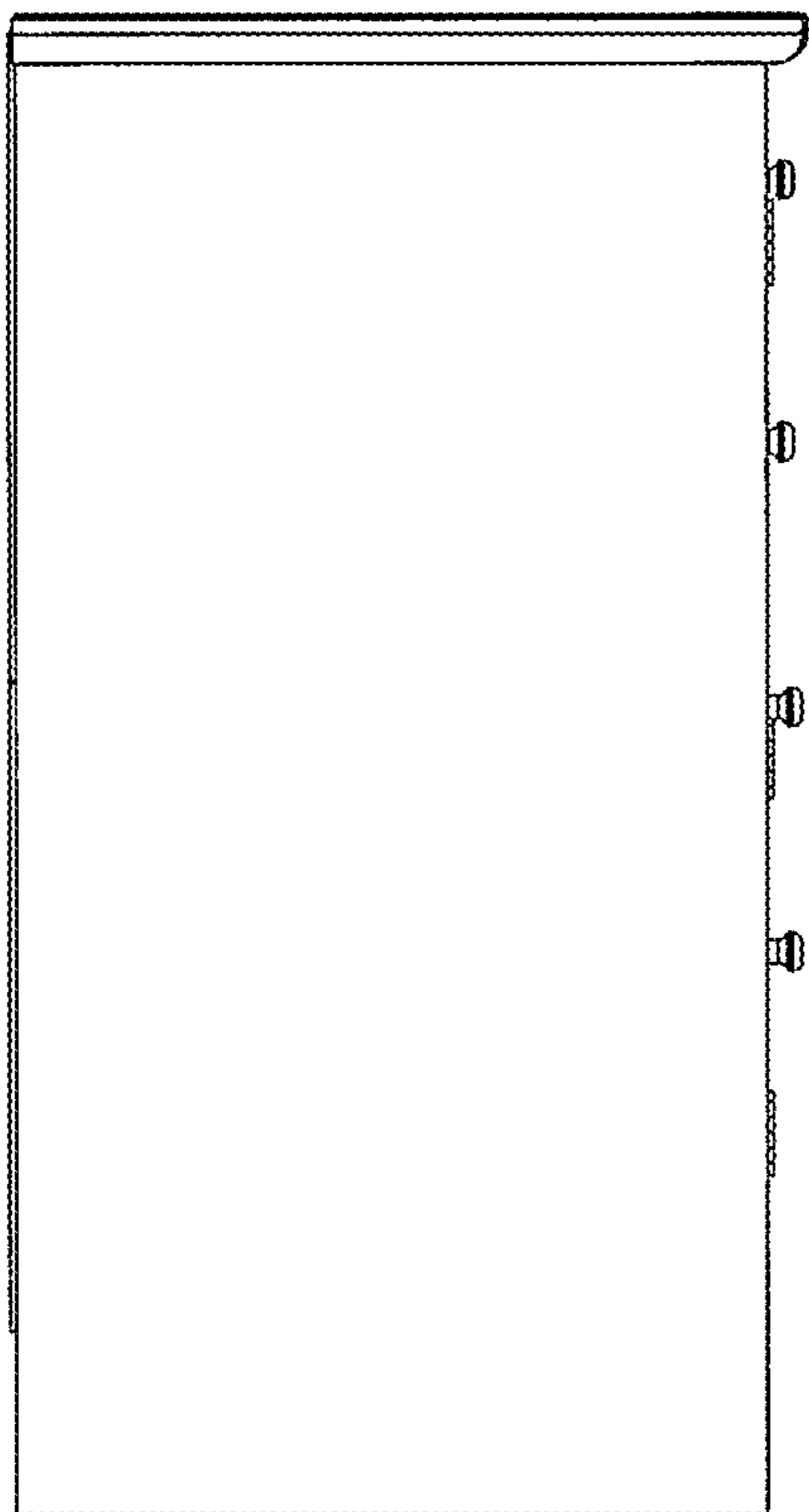


FIG. 3

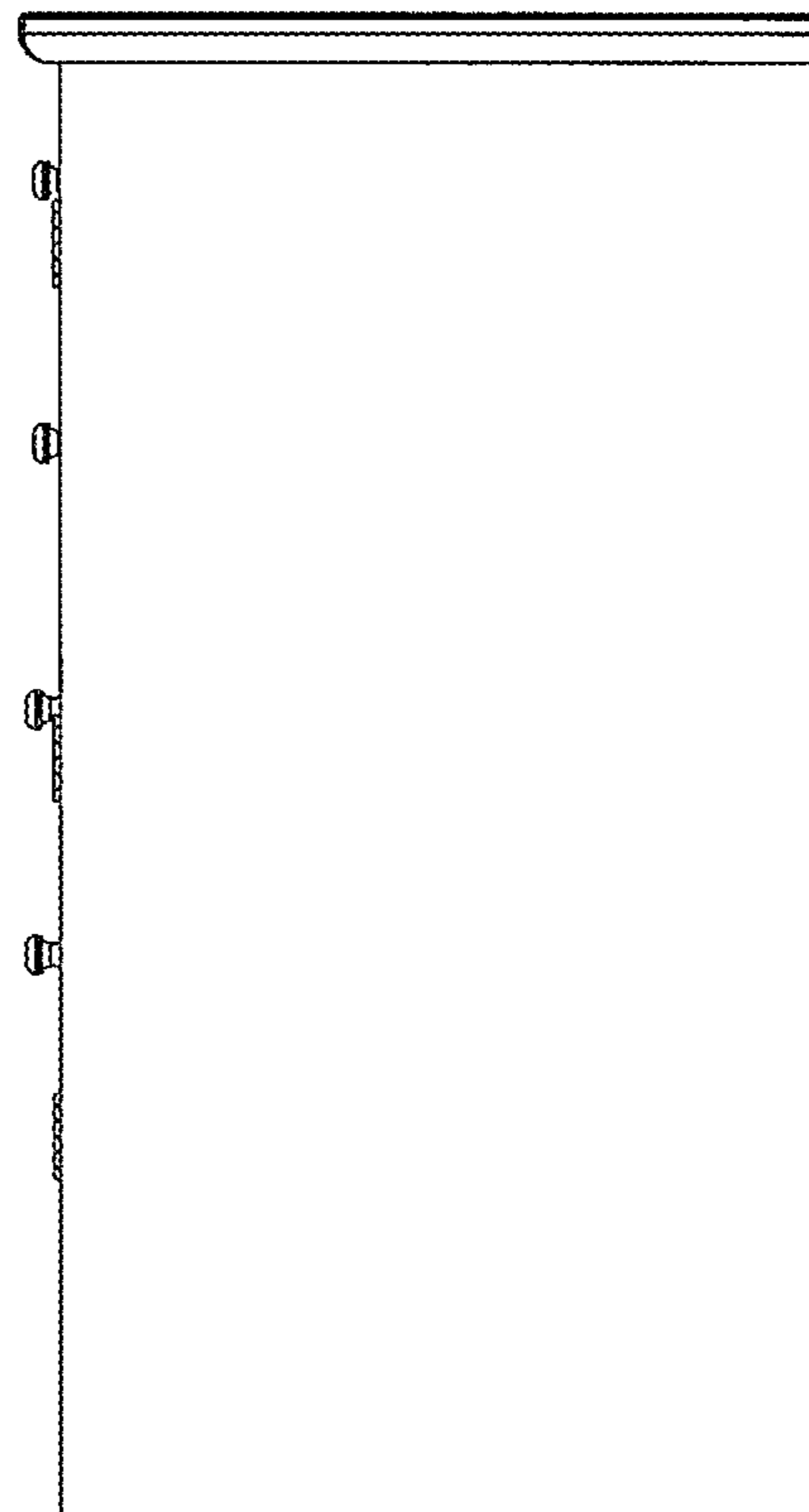


FIG. 4

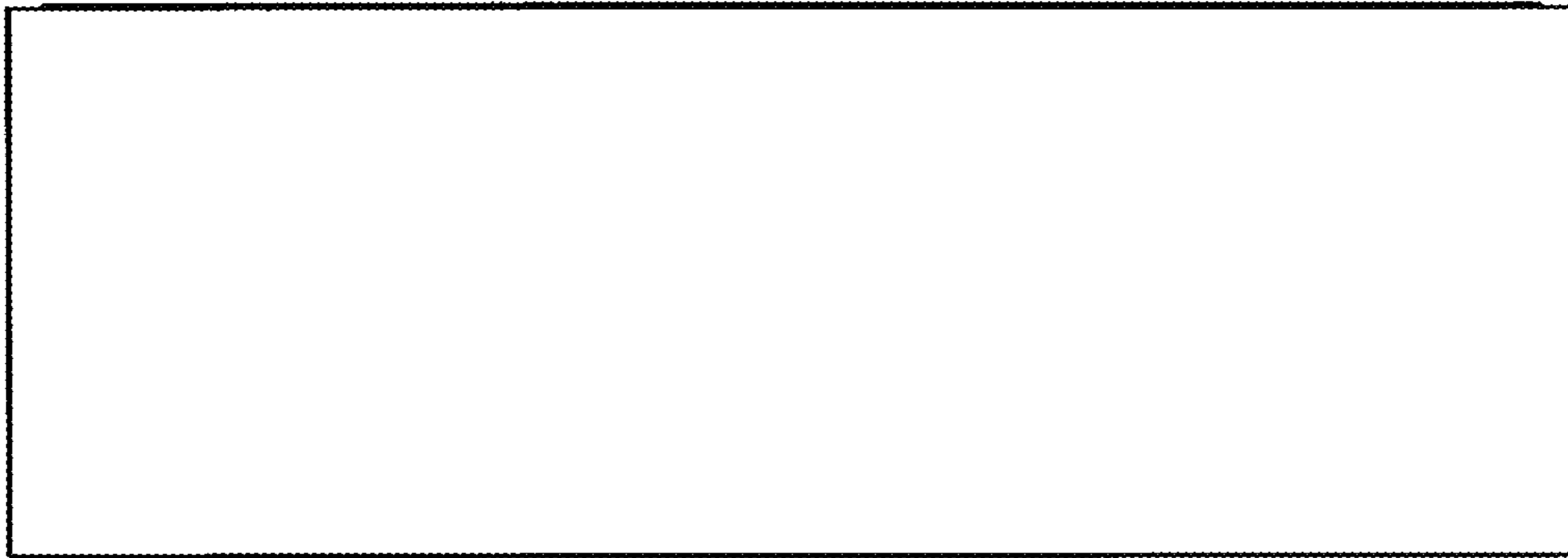


FIG. 5

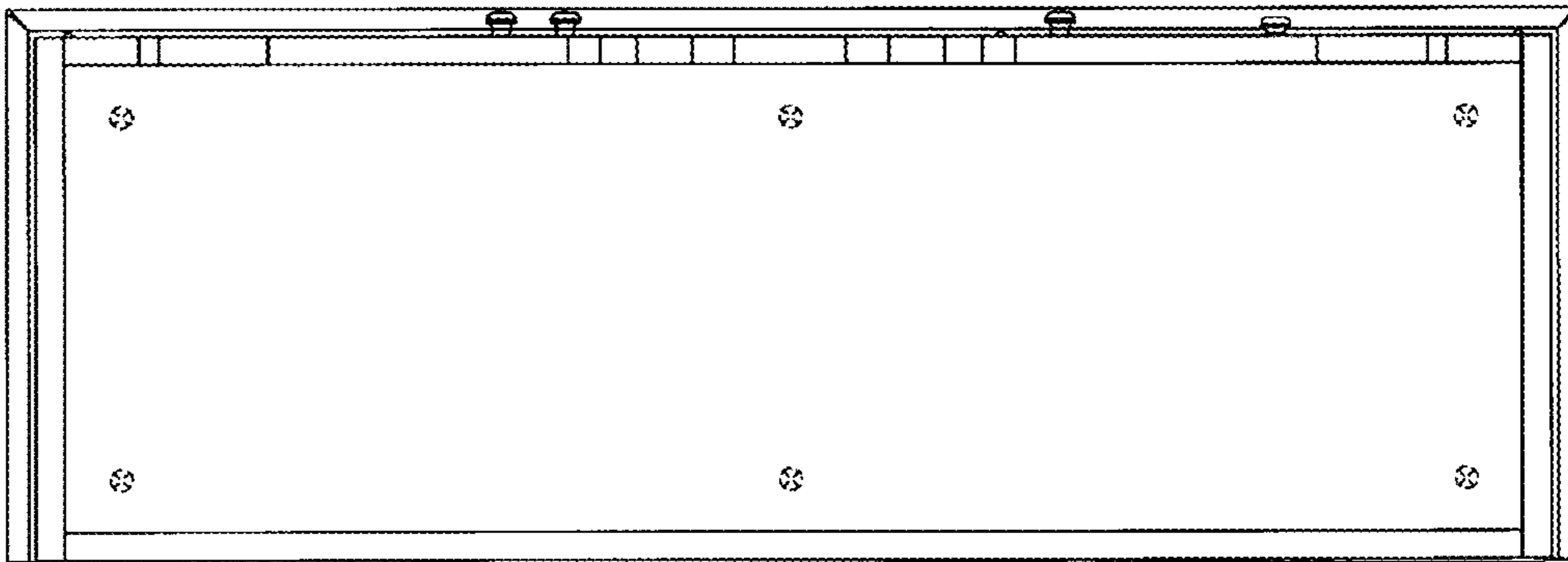


FIG. 6

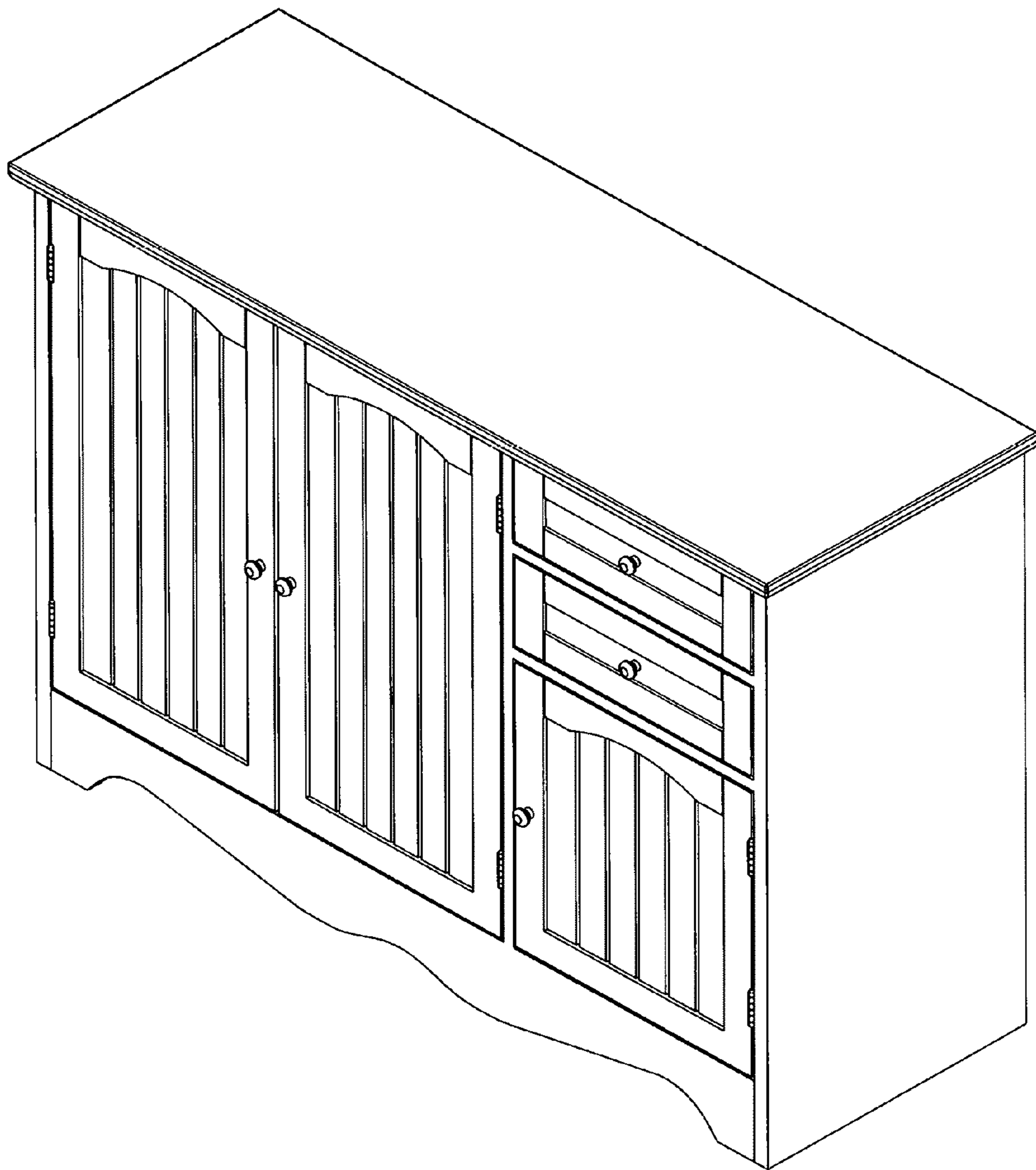


FIG. 7

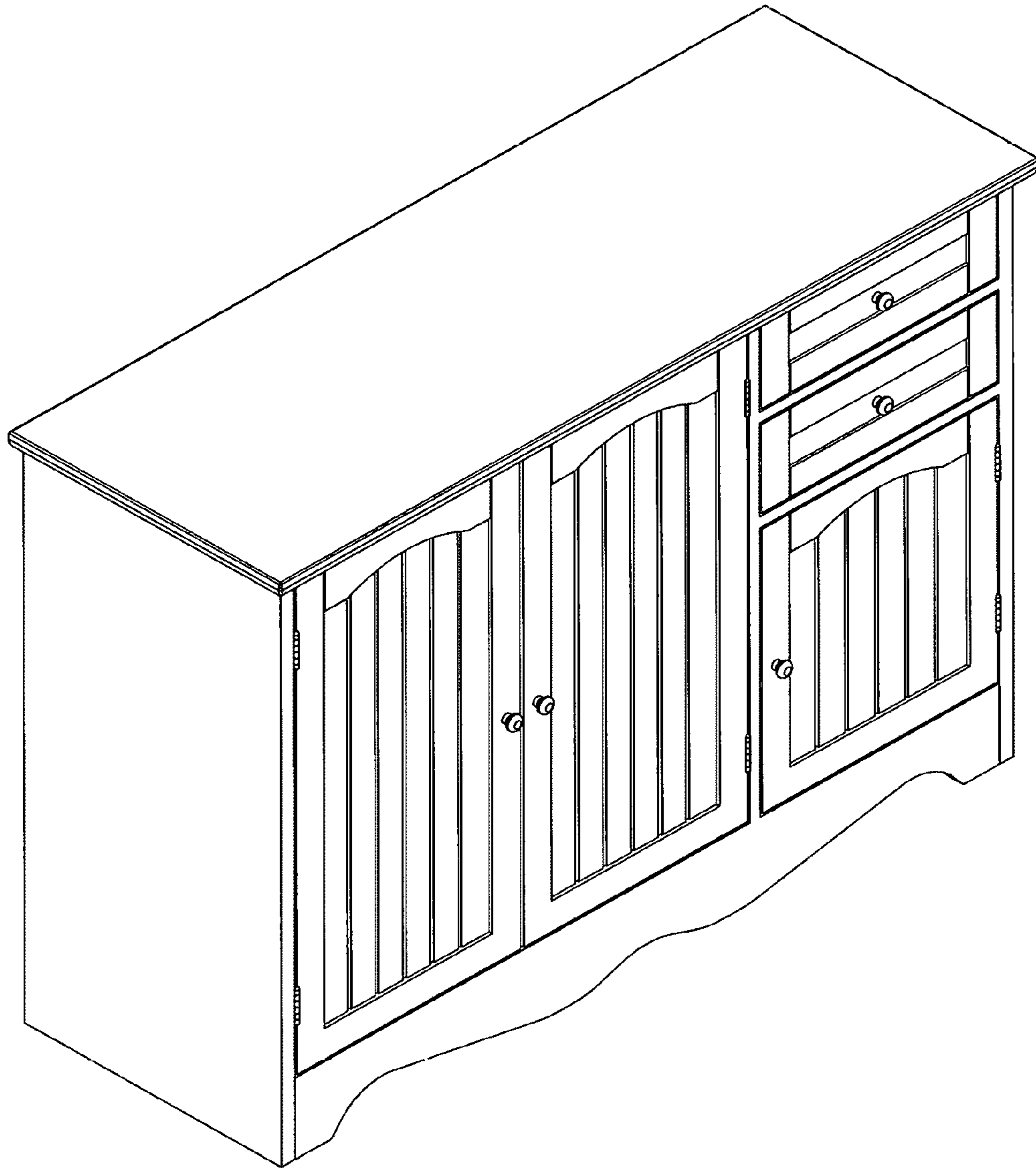


FIG. 8

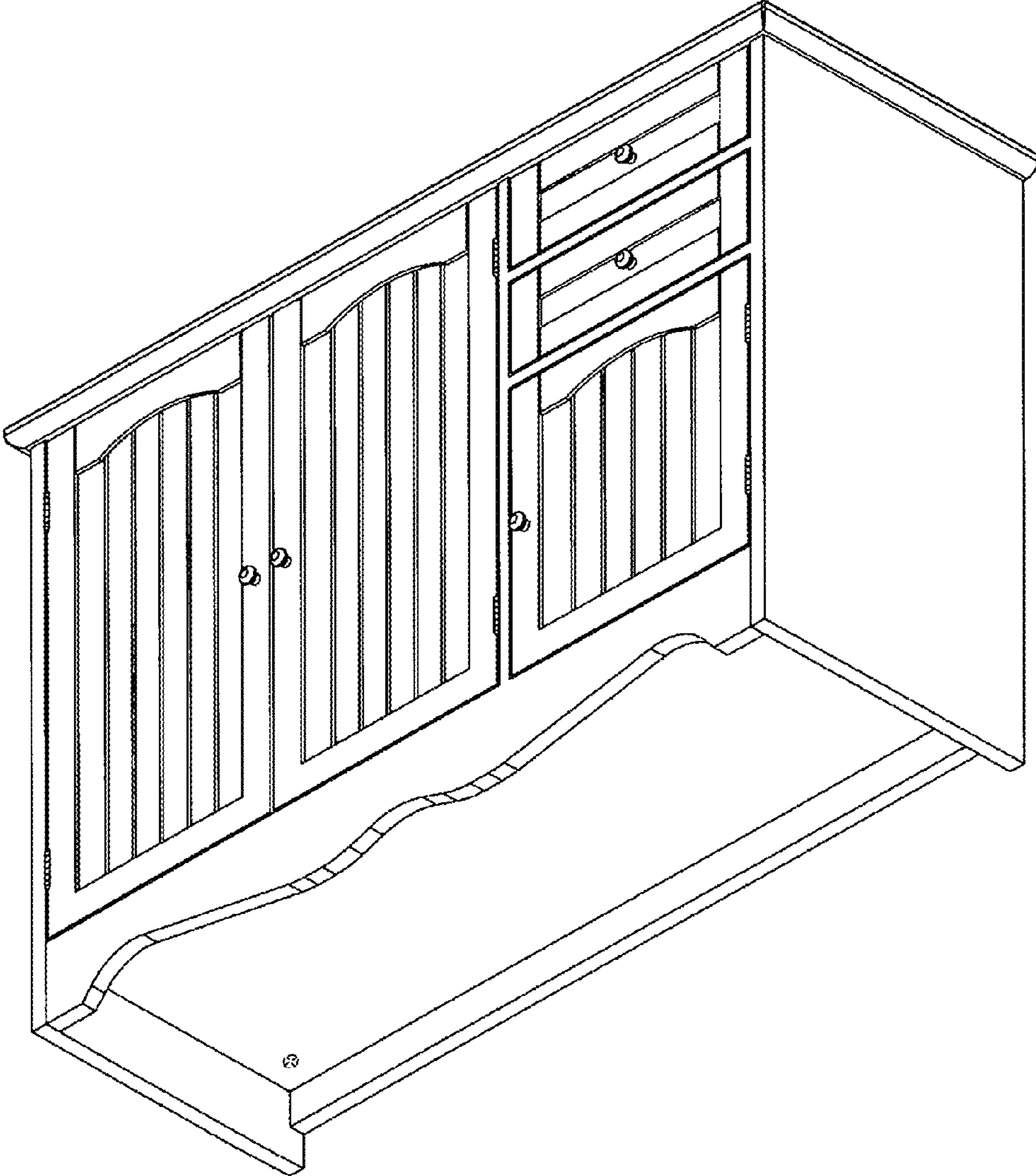


FIG. 9

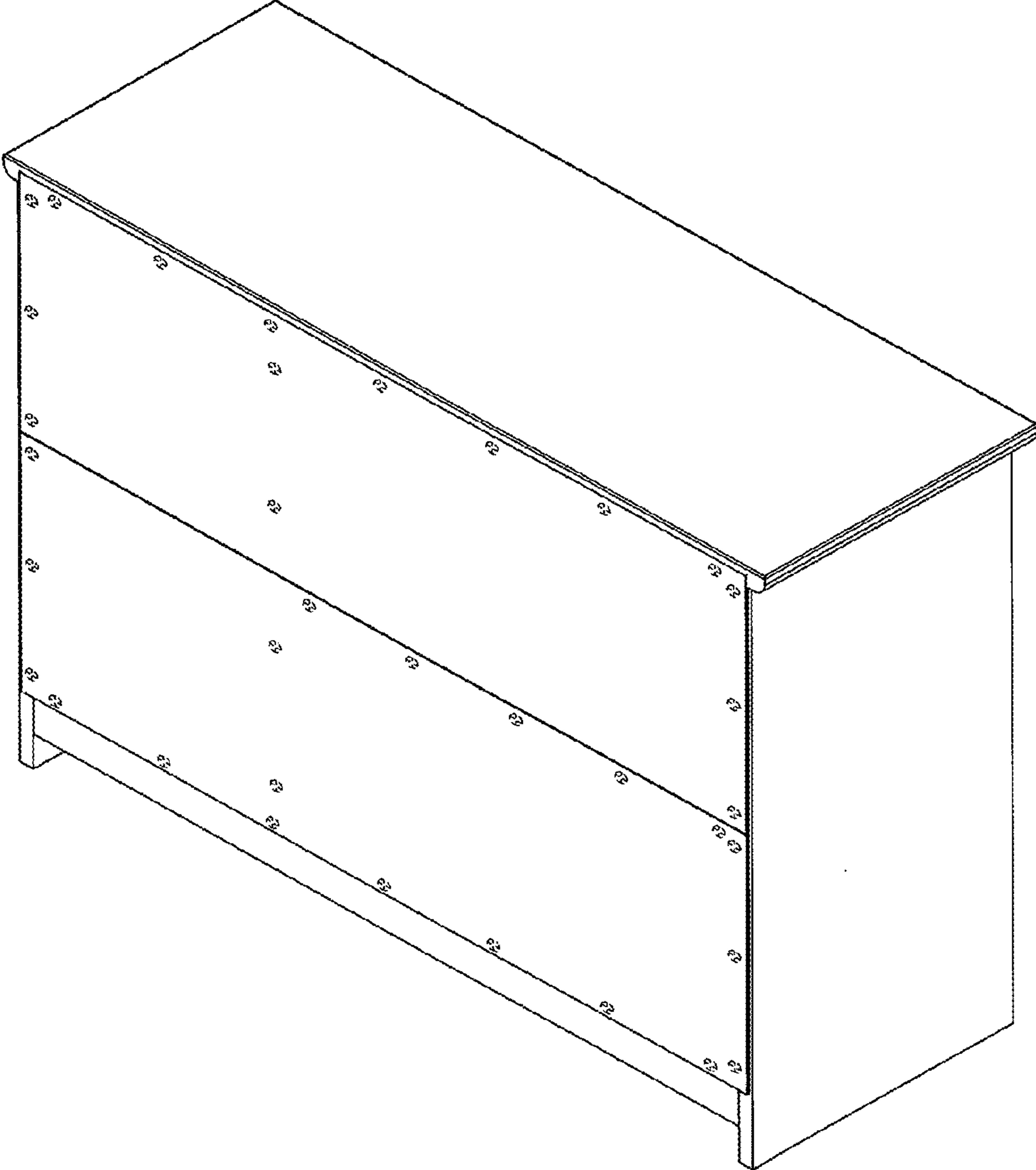


FIG. 10