



US00D768408S

(12) **United States Design Patent** (10) **Patent No.:** **US D768,408 S**
Blaine, III et al. (45) **Date of Patent:** **** Oct. 11, 2016**

(54) **WALL DISPLAY**

(71) Applicants: **James Blaine, III**, Hartland, MI (US);
James Blaine, Clarkston, MI (US)

(72) Inventors: **James Blaine, III**, Hartland, MI (US);
James Blaine, Clarkston, MI (US)

(**) Term: **14 Years**

(21) Appl. No.: **29/522,291**

(22) Filed: **Mar. 30, 2015**

(51) **LOC (10) Cl.** **06-04**

(52) **U.S. Cl.**
USPC **D6/570**

(58) **Field of Classification Search**
USPC D6/570, 546, 549, 552, 553, 567;
211/13.1, 86.01, 87.01; D8/349, 354,
D8/373
CPC A47B 43/00; A47B 57/00; A47B 55/00;
A47B 57/00
See application file for complete search history.

(56) **References Cited**

U.S. PATENT DOCUMENTS

D165,118 S * 11/1951 Strinning et al. 211/90.04
3,921,811 A * 11/1975 Dameron A47B 57/586
108/61
D330,468 S * 10/1992 Jester, Jr. D6/552
5,657,883 A * 8/1997 Badia A47B 81/005
211/60.1

D441,243 S * 5/2001 Williams D6/570
D726,447 S * 4/2015 Nutsch D6/567
2006/0054577 A1* 3/2006 Strating A47B 96/067
211/87.01

* cited by examiner

Primary Examiner — Wan Laymon

Assistant Examiner — Mark Booker

(74) *Attorney, Agent, or Firm* — Dickinson Wright PLLC

(57) **CLAIM**

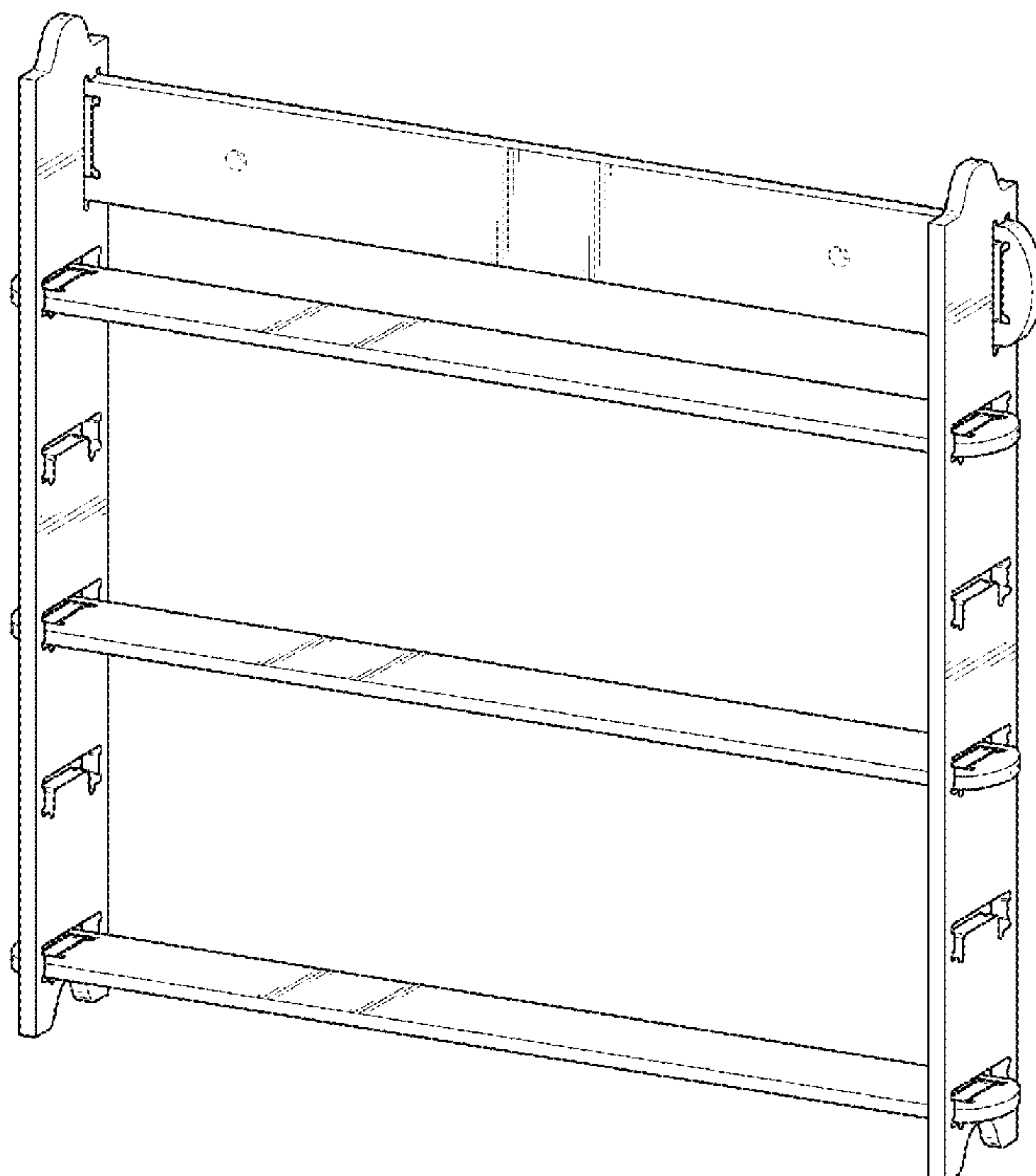
The ornamental design for a wall display, as shown and described.

DESCRIPTION

FIG. 1 is a perspective view of the wall display;
FIG. 2 is a front view of the wall display;
FIG. 3 is a back view of the wall display;
FIG. 4 is a top view of the wall display;
FIG. 5 is a bottom view of the wall display;
FIG. 6 is a side view of the wall display;
FIG. 7 is a perspective view of a vertical support, with the shelf and mounting support removed for ease of illustration;
FIG. 8 is a side view thereof;
FIG. 9 is a perspective view of a shelf, with the vertical support and mounting support removed for ease of illustration;
FIG. 10 is a top view thereof;
FIG. 11 is a perspective view of a mounting support, with the vertical support and shelf removed for ease of illustration; and,
FIG. 12 is a front view thereof.

The broken lines showing of the article is included for the purpose of illustrating portions of the wall display and forms no part of the claimed design.

1 Claim, 7 Drawing Sheets



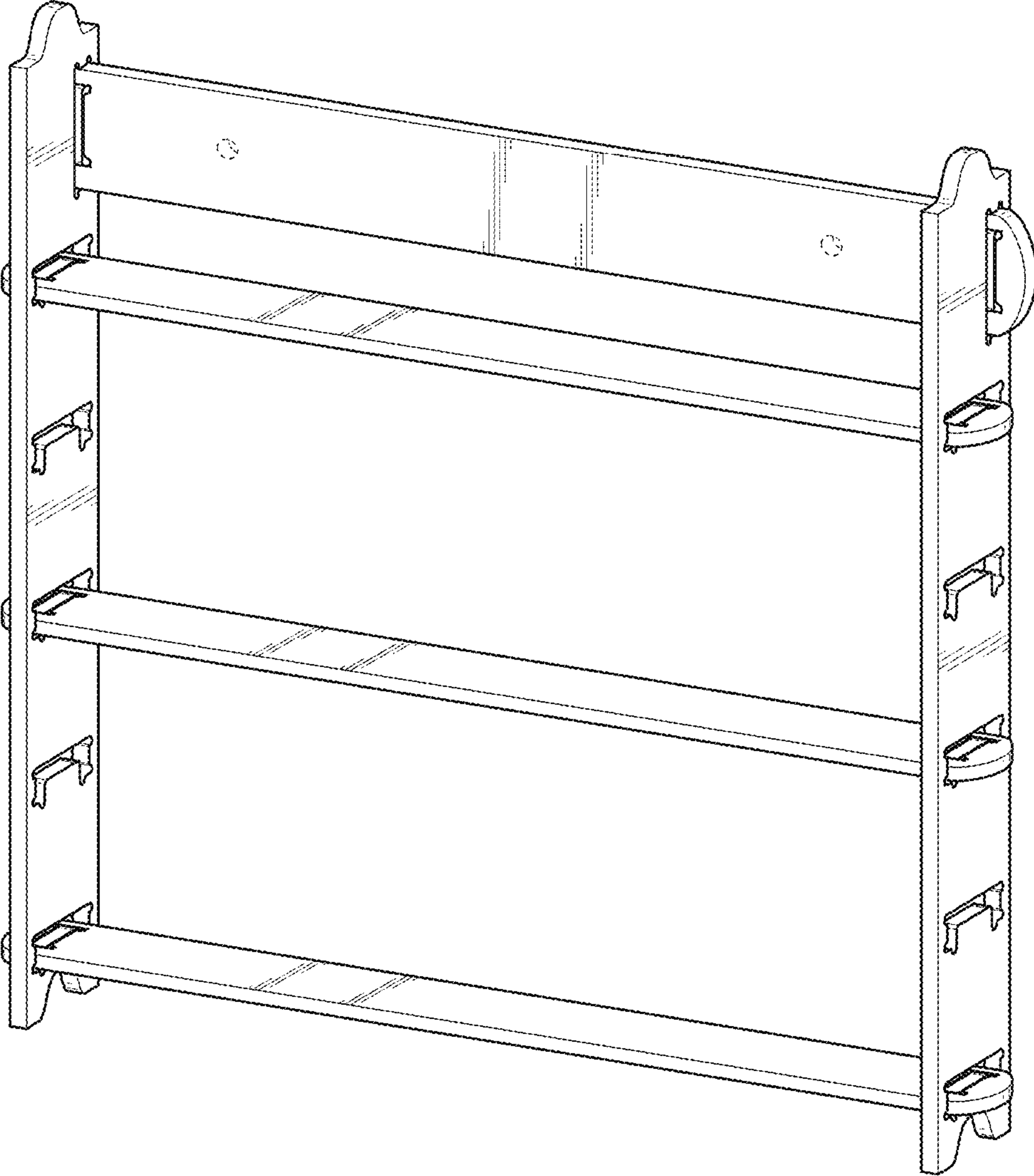


FIG. 1

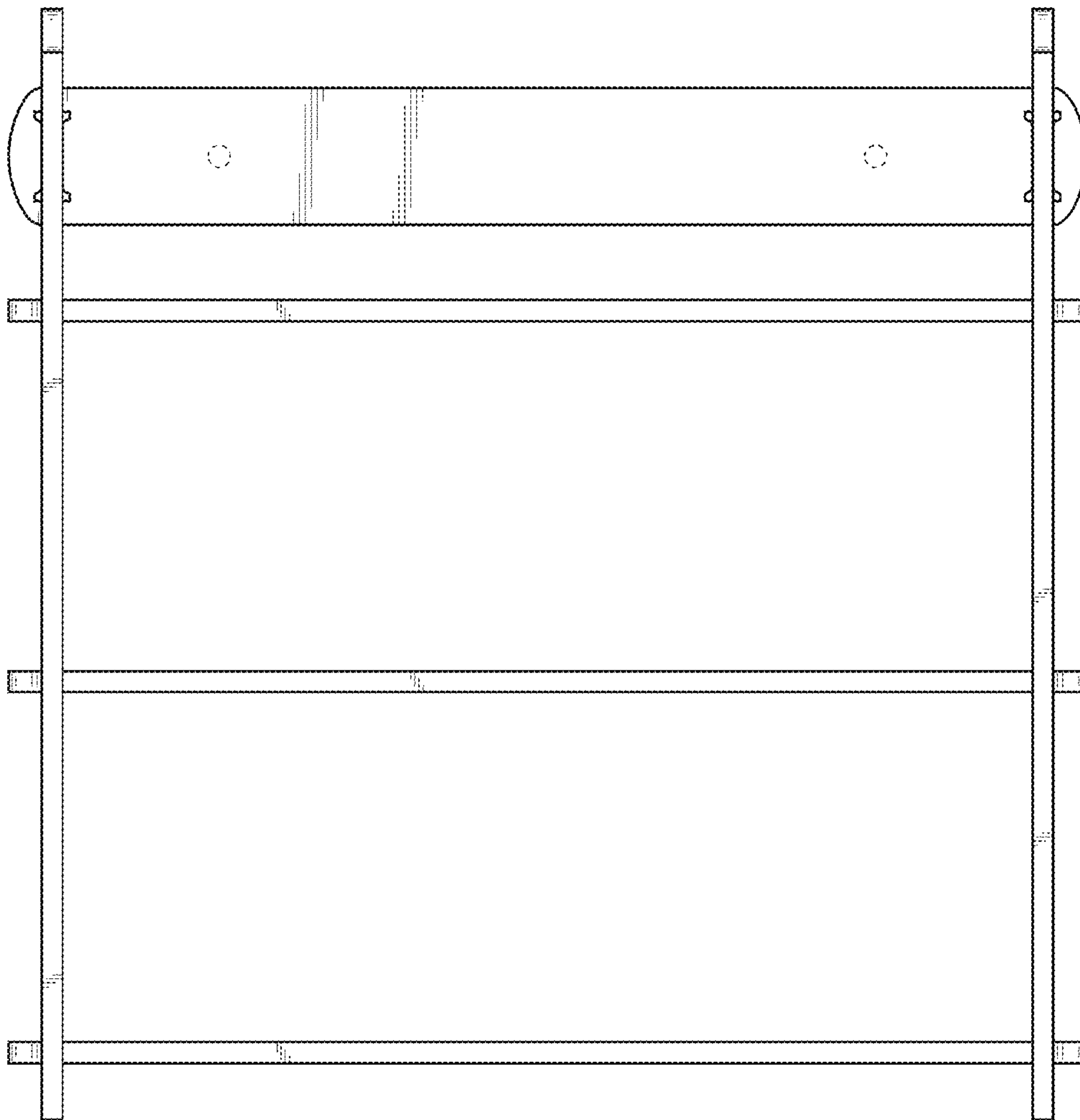


FIG. 2

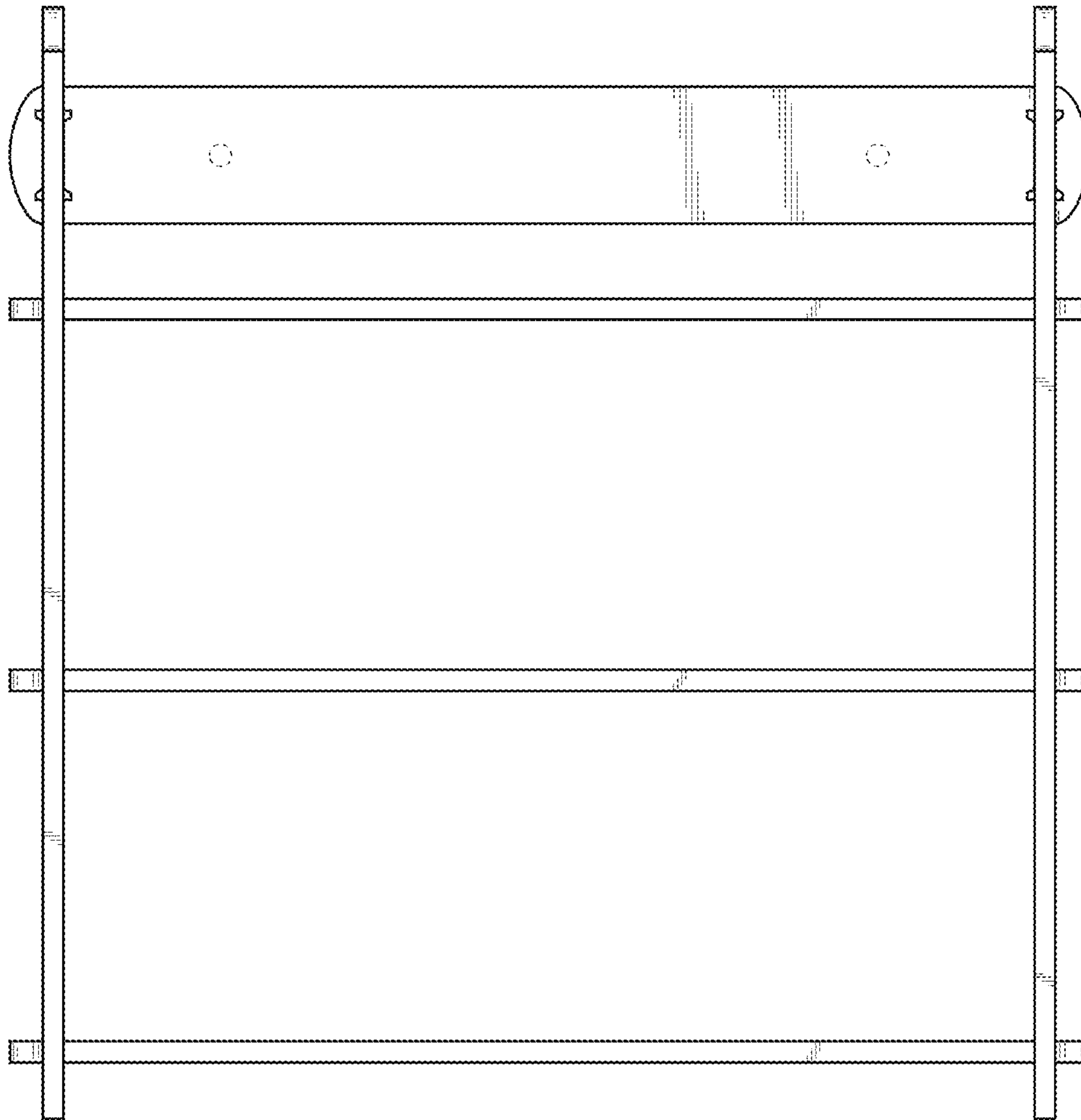


FIG. 3

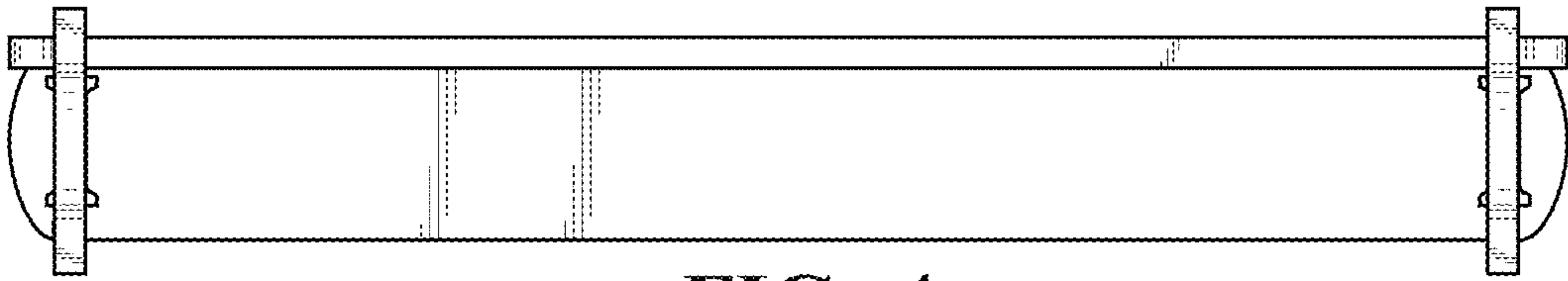


FIG. 4

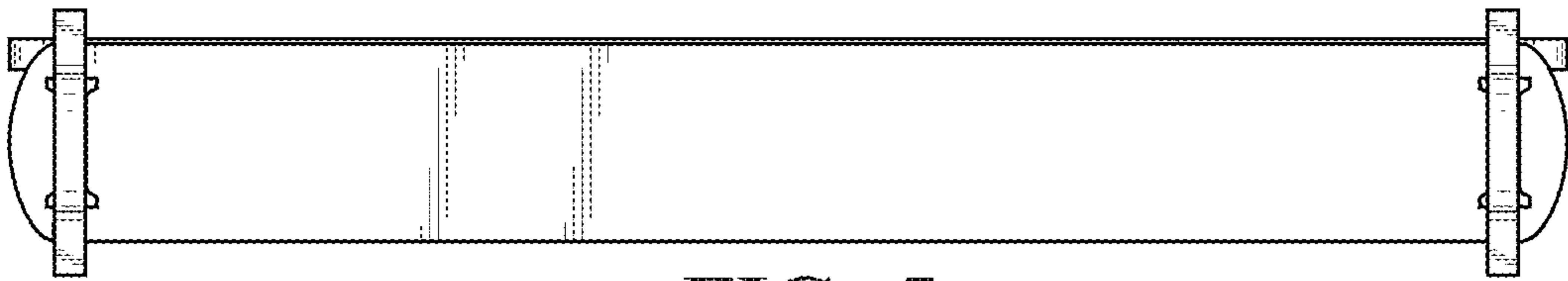


FIG. 5

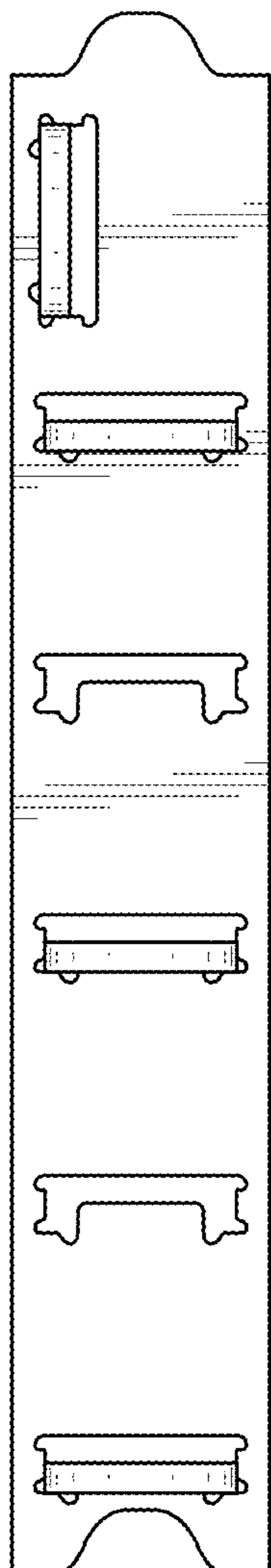


FIG. 6

FIG. 7

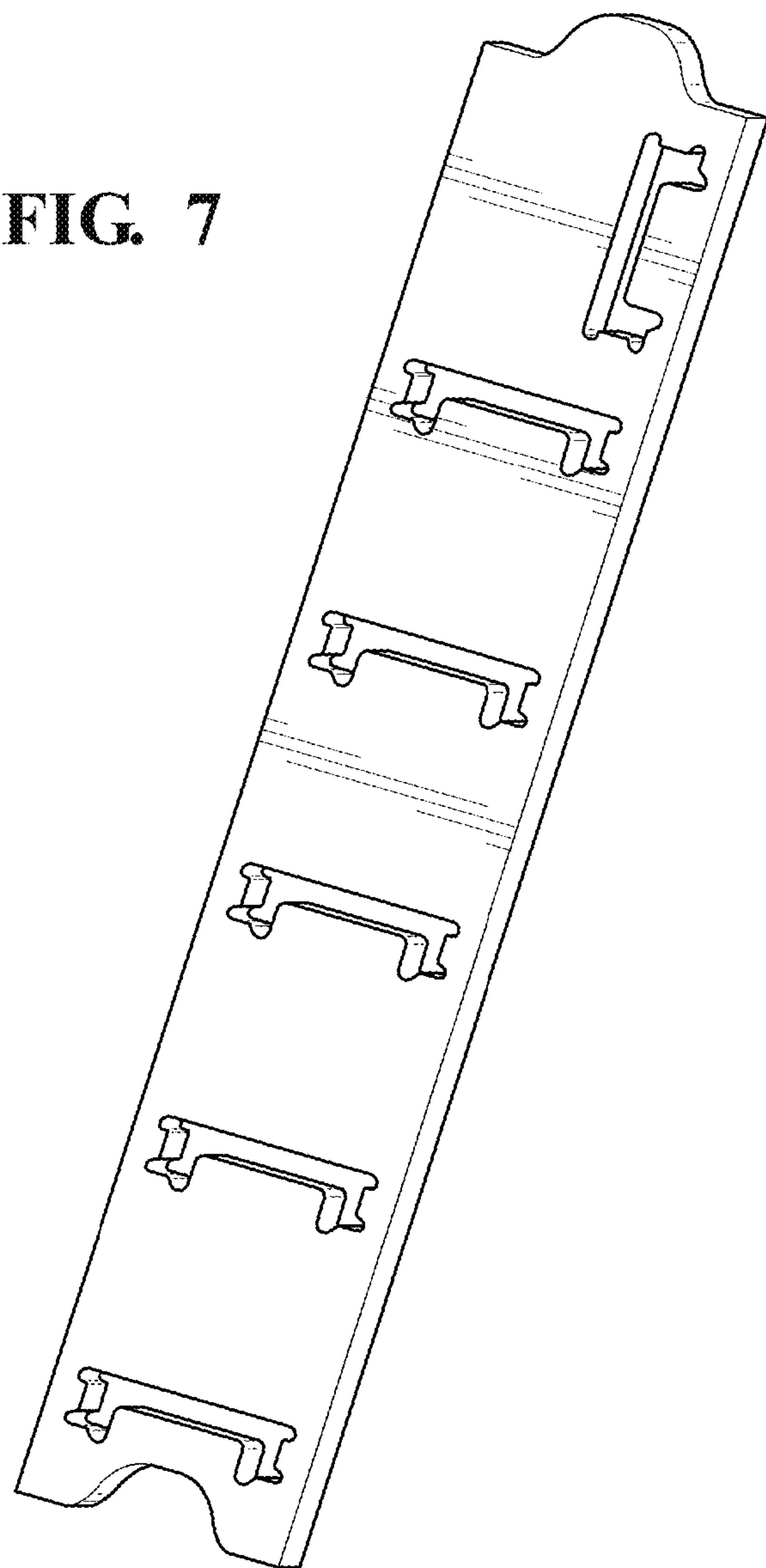


FIG. 8

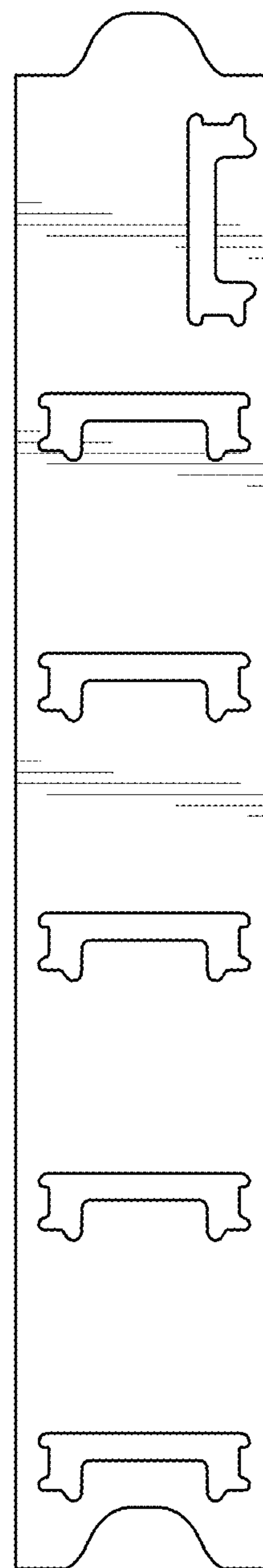


FIG. 9

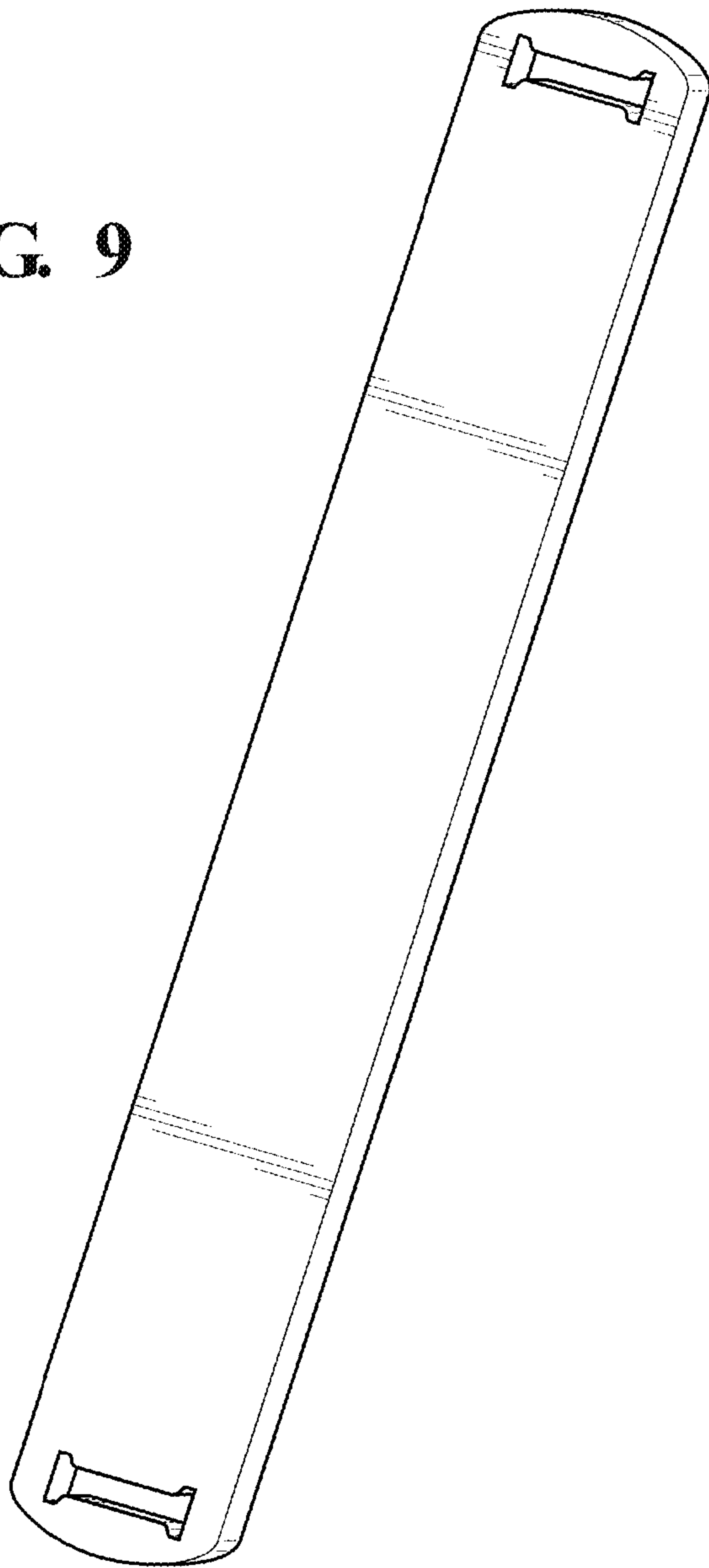


FIG. 10

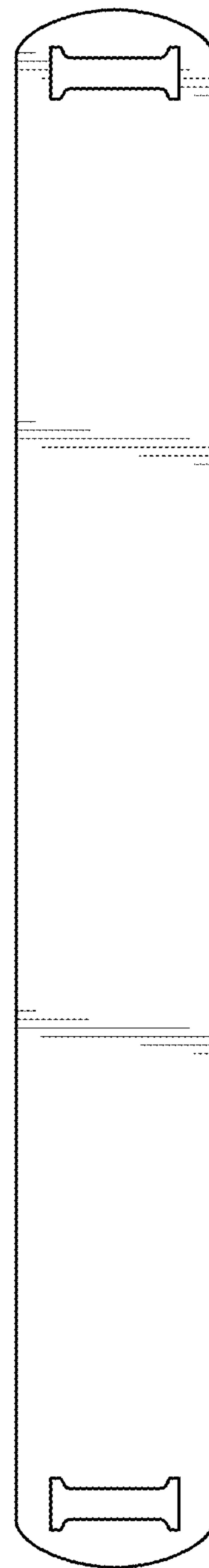


FIG. 11

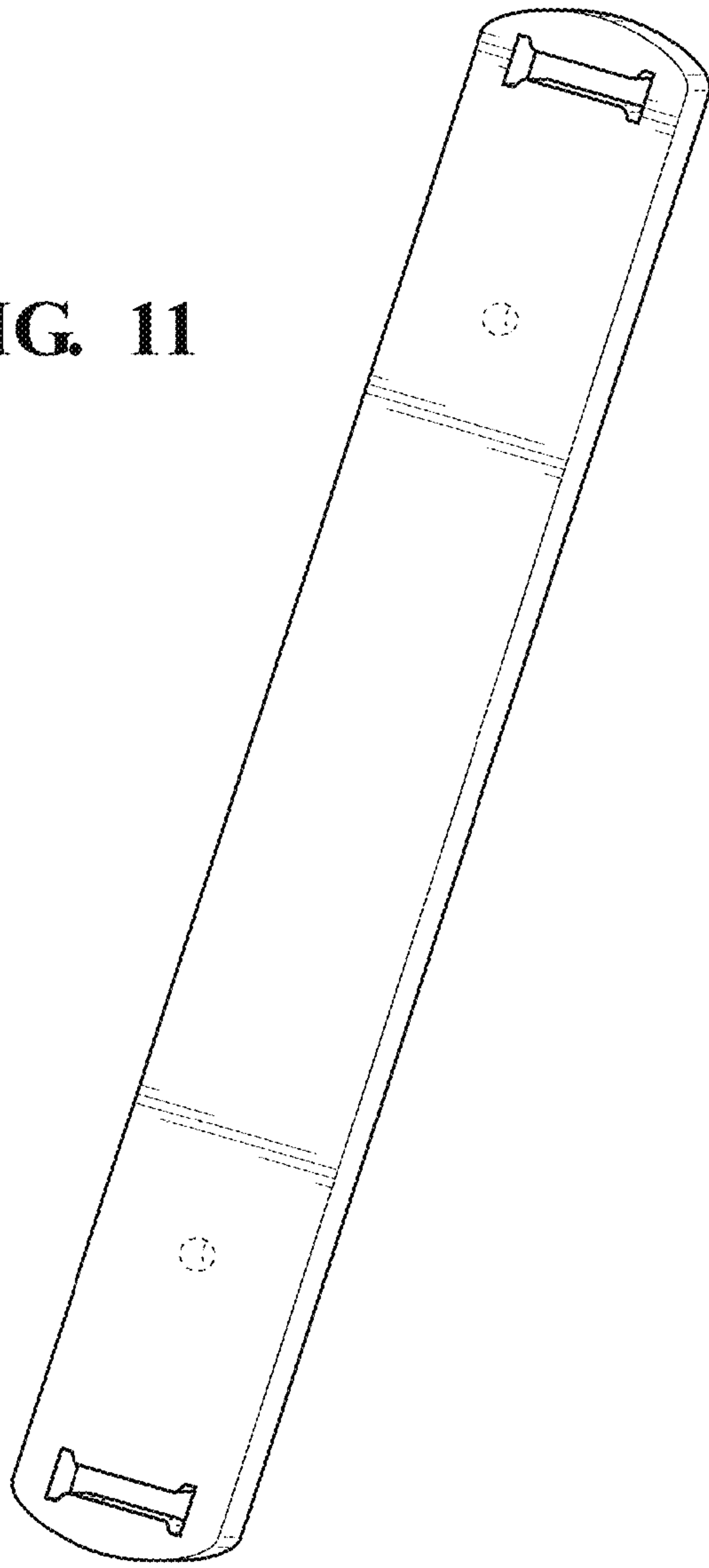


FIG. 12

