



US00D768404S

(12) **United States Design Patent** (10) **Patent No.:** **US D768,404 S**
Klein et al. (45) **Date of Patent:** **** Oct. 11, 2016**

(54) **OVER DOOR ORGANIZER WITH ADJUSTABLE HOOKS**

www.containerstore.com/shop/closet/accessoryStorage/scarves?productId=10030098&N=159 (2 pgs).

(Continued)

(71) Applicant: **LYNK, INC.**, Lenexa, KS (US)

(72) Inventors: **Richard B. Klein**, Overland Park, KS (US); **Mark A. Etter**, Independence, MO (US); **Brandon D. Wood**, Independence, MO (US); **Zheng Song**, Olathe, KS (US); **Kaley Tesdahl**, Lawrence, KS (US)

Primary Examiner — Wan Laymon
Assistant Examiner — Mark Booker
(74) *Attorney, Agent, or Firm* — Stinson Leonard Street LLP

(73) Assignee: **LYNK, INC.**, Lenexa, KS (US)

(57) **CLAIM**
The ornamental design for an over door organizer with adjustable hooks, as shown and described.

(**) Term: **15 Years**

DESCRIPTION

(21) Appl. No.: **29/527,301**

(22) Filed: **May 18, 2015**

(51) **LOC (10) Cl.** **06-06**

(52) **U.S. Cl.**
USPC **D6/514**

(58) **Field of Classification Search**
USPC D6/514, 512–513, 522–524, 525, 540, D6/566, 570; D19/90; 211/13.1, 70.6, 74, 211/134, 70.7, 71.01, 75, 88.01, 86.01, 211/90.01, 90.03, 106, 119, 126.1, 133.5, 211/181.1; 248/302
CPC A47K 17/00; A47K 3/281; A47K 3/001; B23P 17/04; A47B 57/265; A47B 57/565; A47B 57/26

See application file for complete search history.

(56) **References Cited**

U.S. PATENT DOCUMENTS

D354,412 S * 1/1995 Emery D6/514
D397,565 S * 9/1998 Klein D6/513

(Continued)

OTHER PUBLICATIONS

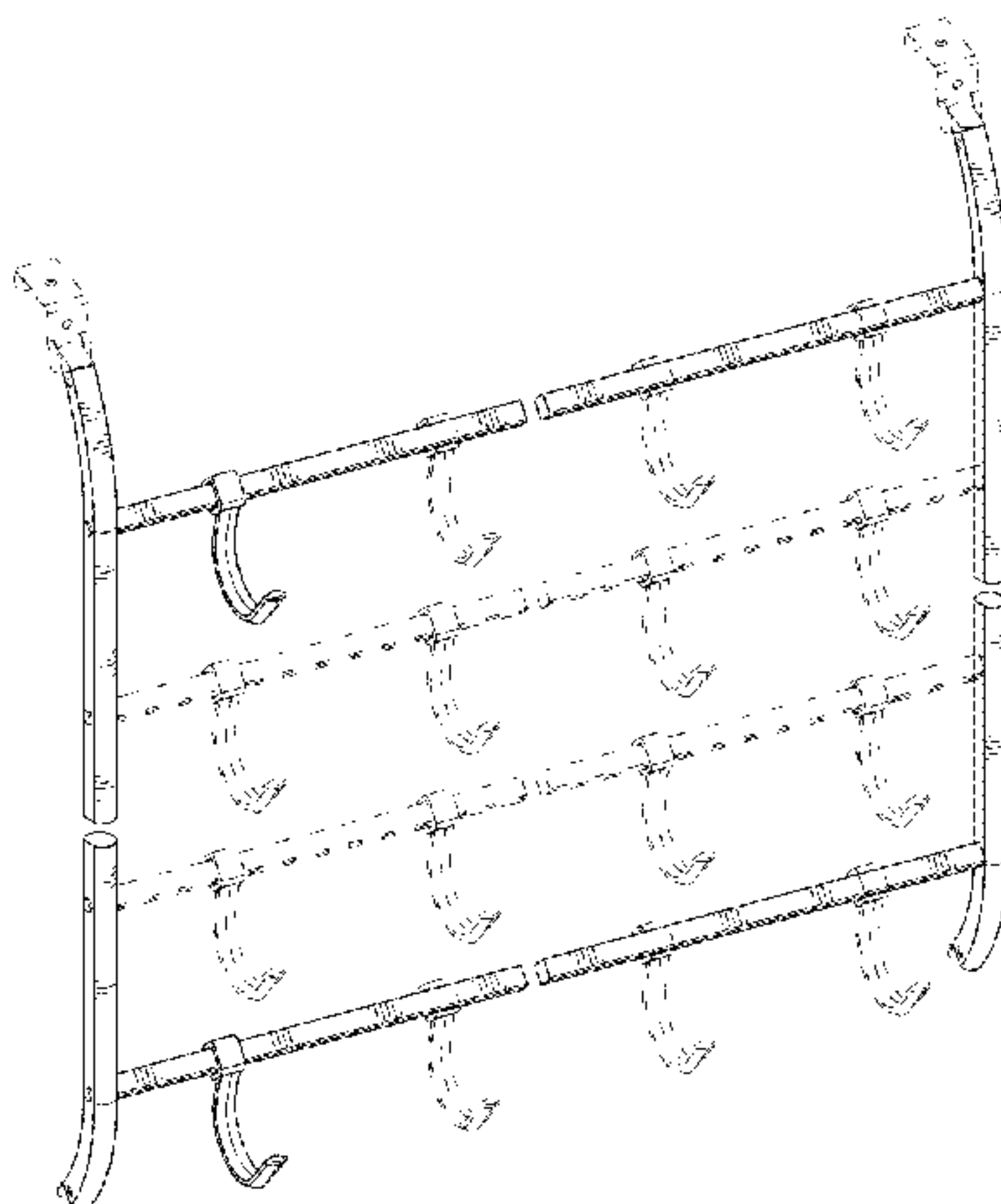
Website Advertisement, The Container Store, “Axis 8-Hook Wall-Mounted Rack”, downloaded from the internet on Aug. 7, 2014 at

FIG. 1 is a front perspective view of the over door organizer with adjustable hooks;
FIG. 2 is a front perspective of the over door organizer with adjustable hooks of FIG. 1, showing the adjustable hooks in a different position;
FIG. 3 is an enlarged perspective view a top portion of the over door organizer with adjustable hooks of FIG. 1, showing the shape of the rods and hooks;
FIG. 4 is a front elevational view of the over door organizer with adjustable hooks of FIG. 1;
FIG. 5 is a back elevational view of the over door organizer with adjustable hooks of FIG. 1;
FIG. 6 is left side elevational view of the over door organizer with adjustable hooks of FIG. 1;
FIG. 7 is a right side elevational view of the over door organizer with adjustable hooks of FIG. 1;
FIG. 8 is a top plan view of the over door organizer with adjustable hooks of FIG. 1; and,
FIG. 9 is a bottom plan view of the over door organizer with adjustable hooks of FIG. 1.

The broken away symbols in the drawings indicate that any portion of the article beyond what is shown forms no part of the claimed design.

The broken lines shown in the figures represent portions of the over door organizer with adjustable hooks with adjustable hooks that form no part of the claimed design.

1 Claim, 6 Drawing Sheets



(56)

References Cited

U.S. PATENT DOCUMENTS

D461,650	S	*	8/2002	Goodman	D6/372
D465,998	S	*	11/2002	Goodman	D6/566
D466,396	S	*	12/2002	Snell	D6/513
D555,366	S	*	11/2007	Goodman	D6/323
7,789,248	B1	*	9/2010	Salerno	A47G 25/08 211/106.01
D654,737	S	*	2/2012	Guindi	D6/514
D699,467	S	*	2/2014	Tsai	D6/514
D724,851	S		3/2015	Klein		

OTHER PUBLICATIONS

Website Advertisement, Bed Bath & Beyond, “InterDesign® York Lyra Over-The-Door 5-Hook Rack”, downloaded from the internet on Aug. 7, 2014 at www.bedbathandbeyond.com/store/product/interdesign-reg-york-lyra-over-the-door-5-hook-rack/1017947788?categoryId=12210 (2 pgs).

Website Advertisement, Bed Bath & Beyond, “Rubberized Over The Door Hook Rack in Gray”, downloaded from the internet on Aug. 7, 2014 at www.bedbathandbeyond.com/store/product/rubberized-over-the-door-hook-rack-in-gray/1042323853?categoryId=12210 (2 pgs).

Website Advertisement, Bed Bath & Beyond, “OXO Good Grips® Over-The-Door Hook Rack in Stainless Steel”, downloaded from the internet on Aug. 7, 2014 at www.bedbathandbeyond.com/store/product/oxo-good-grips-reg-over-the-door-hook-rack-in-stainless-steel/1041500538?categoryId=12210 (2 pgs).

Website Advertisement, Bed Bath & Beyond, “Heritage Over-The-Door 5-Hook Rack in Brushed Nickel”, downloaded from the internet on Aug. 7, 2014 at www.bedbathandbeyond.com/store/product/heritage-over-the-door-5-hook-rack-in-brushed-nickel/1041969311?categoryId=12210 (2 pgs).

Website Advertisement, Bed Bath & Beyond, “Rubber-Coated Over-The-Door Hook Rack”, downloaded from the internet on Aug.

7, 2014 at www.bedbathandbeyond.com/store/product/rubber-coated-over-the-door-hook-rack/1041180792?categoryId=12210 (2 pgs).

Website Advertisement, Bed Bath & Beyond, “Heavy Duty Over The Door Hook Rack”, downloaded from the internet on Aug. 7, 2014 at www.bedbathandbeyond.com/store/product/heavy-duty-over-the-door-hook-rack/1040631172?categoryId=12210 (2 pgs).

Website Advertisement, Bed Bath & Beyond, “Over-The-Door Hook Rack with Towel Bar”, downloaded from the internet on Aug. 7, 2014 at www.bedbathandbeyond.com/store/product/over-the-door-hook-rack-with-towel-bar/1041564028?categoryId=12210 (2 pgs).

Website Advertisement, Bed Bath & Beyond, “Spectrum™ Windsor Over The Door 6-Hook Rack”, downloaded from the internet on Aug. 7, 2014 at www.bedbathandbeyond.com/store/product/spectrum-trade-windsor-over-the-door-6-hook-rack/1013150532?categoryId=12210 (2 pgs).

Website Advertisement, Bed Bath & Beyond, “6-Hook Over-The-Door Rack”, downloaded from the internet on Aug. 7, 2014 at www.bedbathandbeyond.com/store/product/6-hook-over-the-door-rack/1017156772?categoryId=12210 (2 pgs).

Website Advertisement, Bed Bath & Beyond, “Spectrum™ Willow Over The Door 5-Hook Rack in Black Chrome”, downloaded from the internet on Aug. 7, 2014 at www.bedbathandbeyond.com/store/product/spectrum-trade-willow-over-the-door-5-hook-rack-in-black-chrome/1041493564?categoryId=12210 (2 pgs).

Website Advertisement, Bed Bath & Beyond, “Spectrum™ Quazar Over The Door 9-Hook Rack”, downloaded from the internet on Aug. 7, 2014 at www.bedbathandbeyond.com/store/product/spectrum-trade-quazar-over-the-door-9-hook-rack/1041493557?categoryId=12210 (2 pgs).

Website Advertisement, Bed Bath & Beyond, “Over The Door Hook Rack”, downloaded from the internet on Aug. 7, 2014 at www.bedbathandbeyond.com/store/product/over-the-door-hook-rack/1017432230?categoryId=12210 (2 pgs).

* cited by examiner

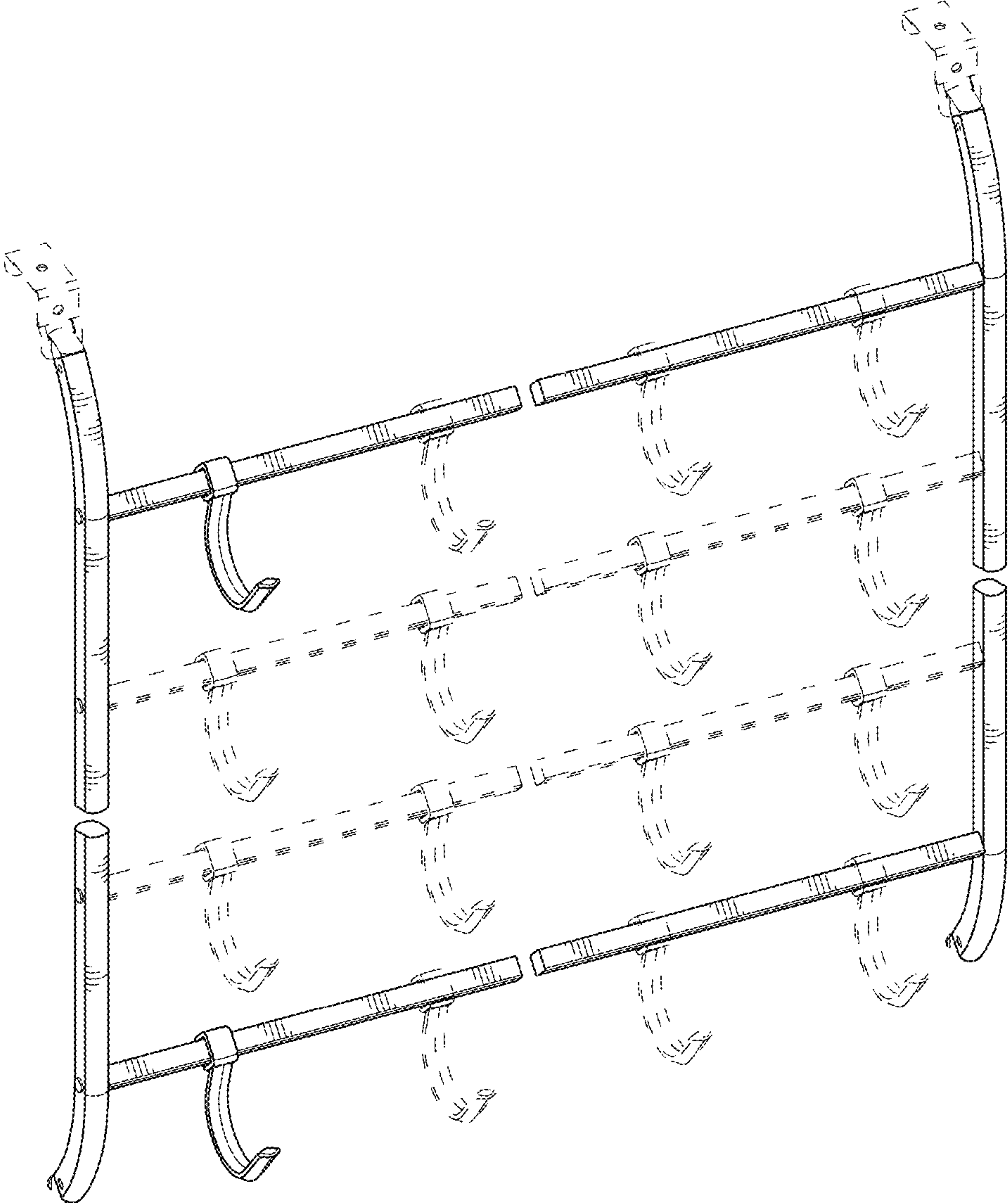


FIG. 1

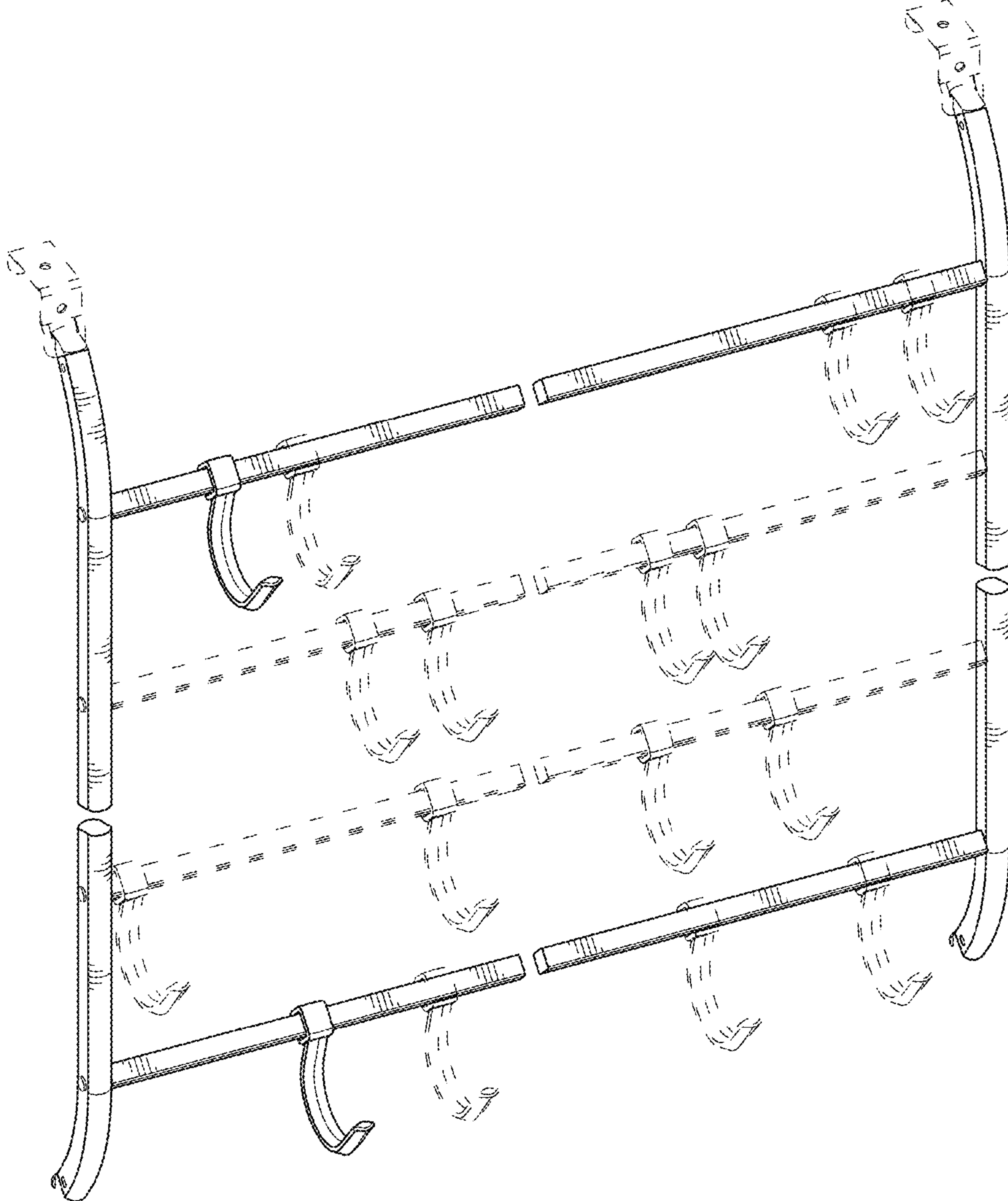


FIG. 2

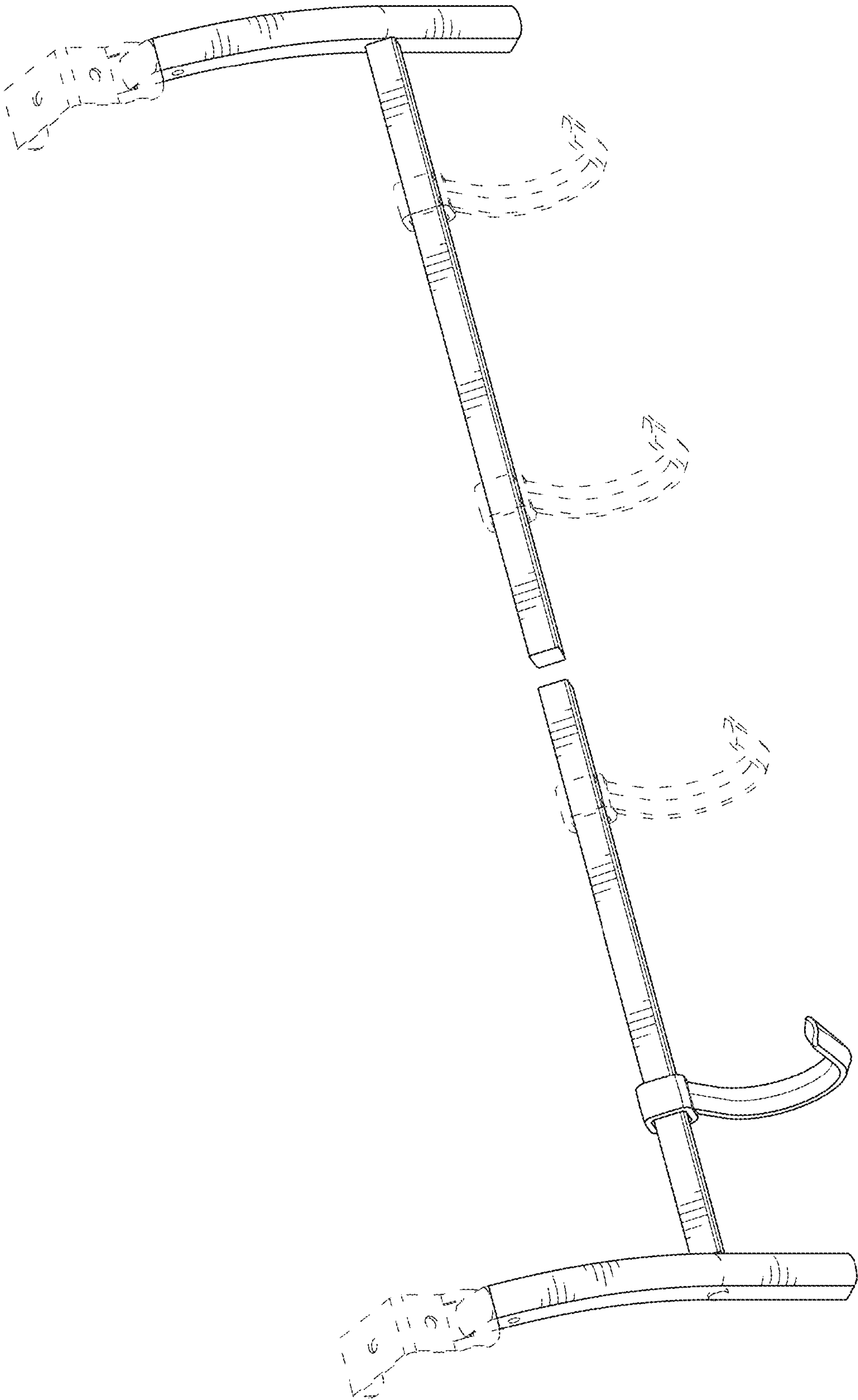


FIG. 3

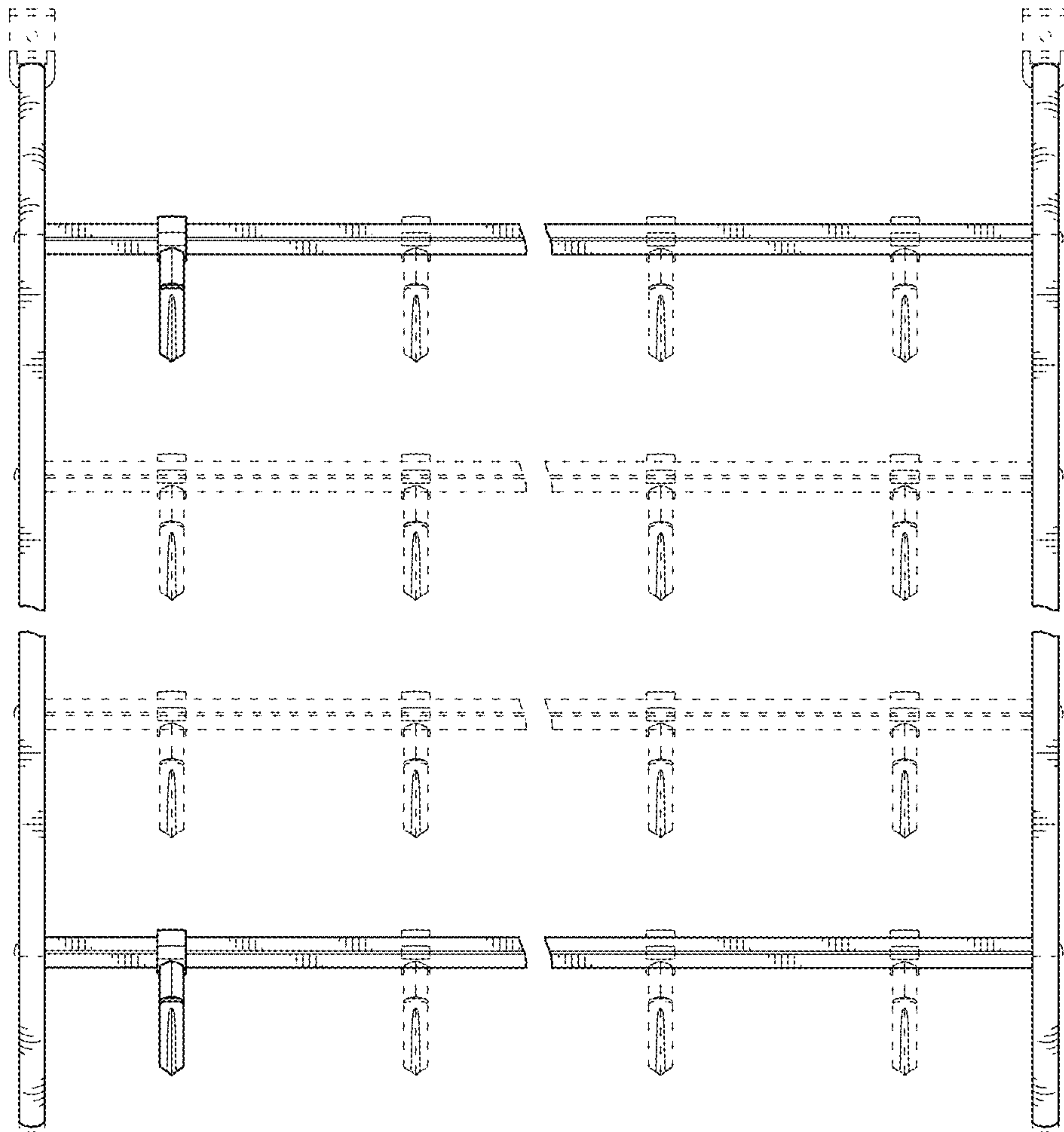


FIG. 4

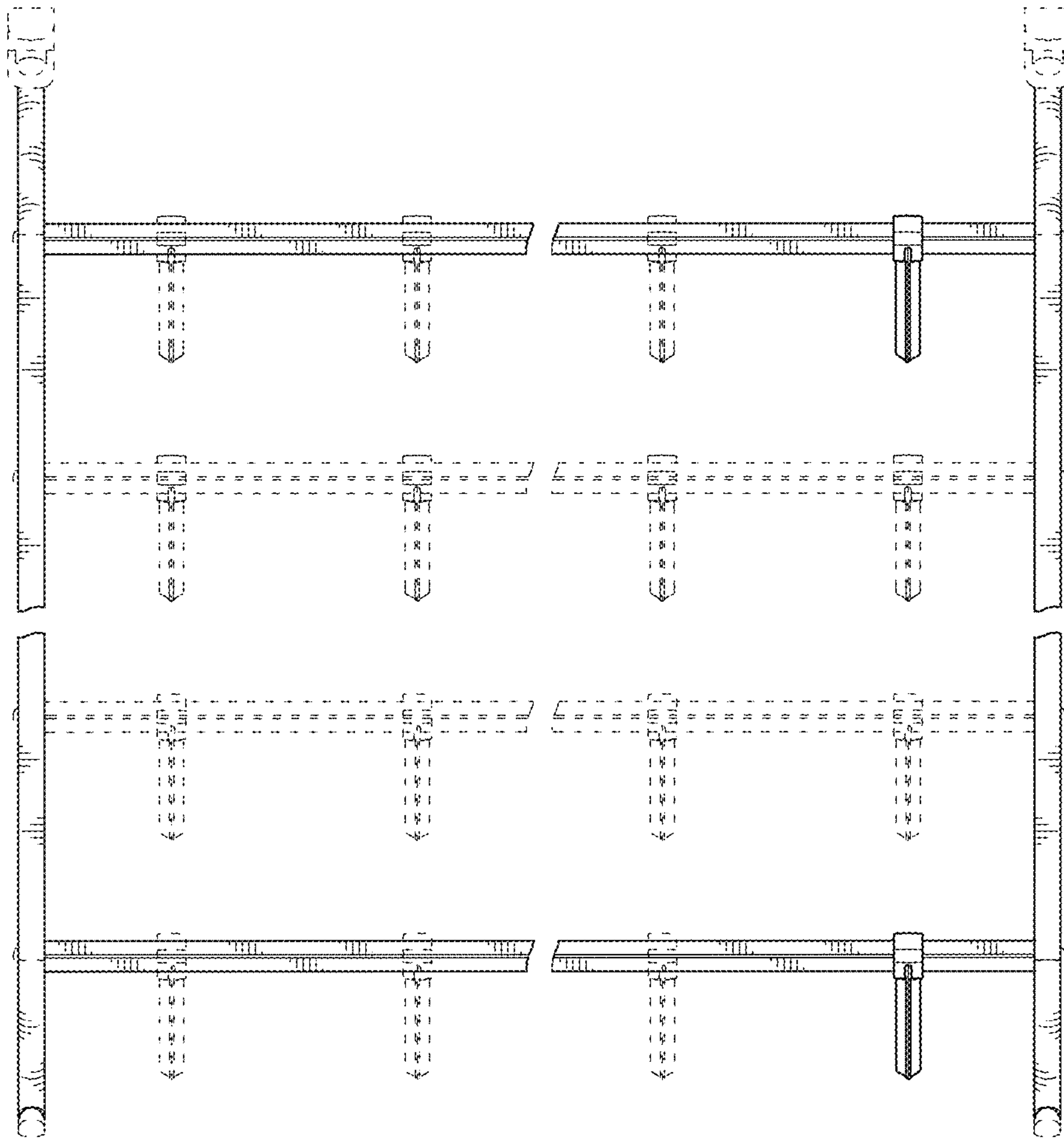


FIG. 5

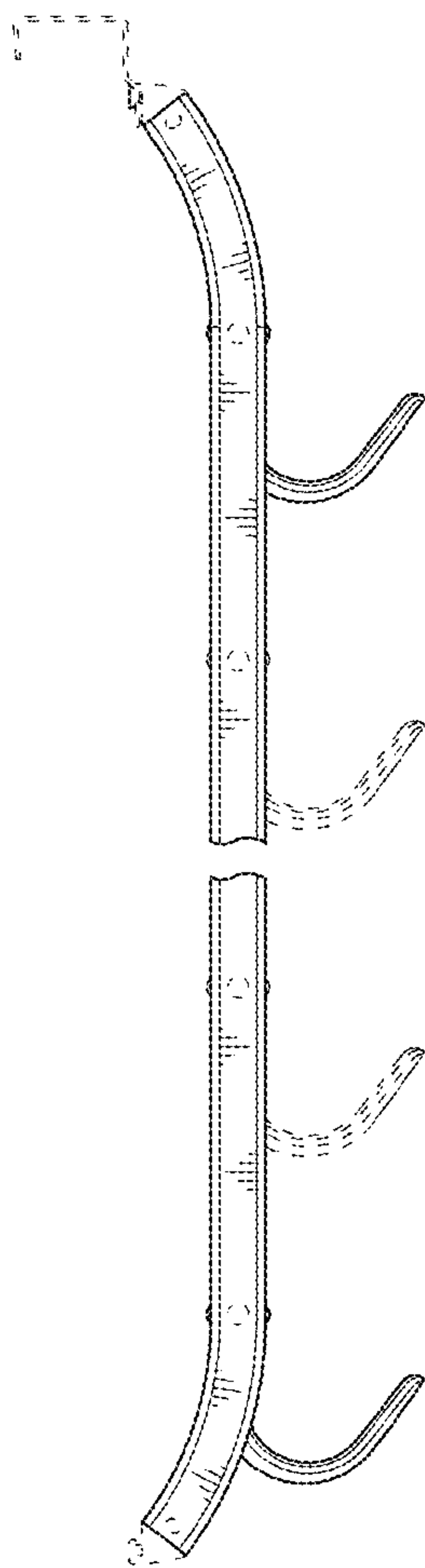


FIG. 6

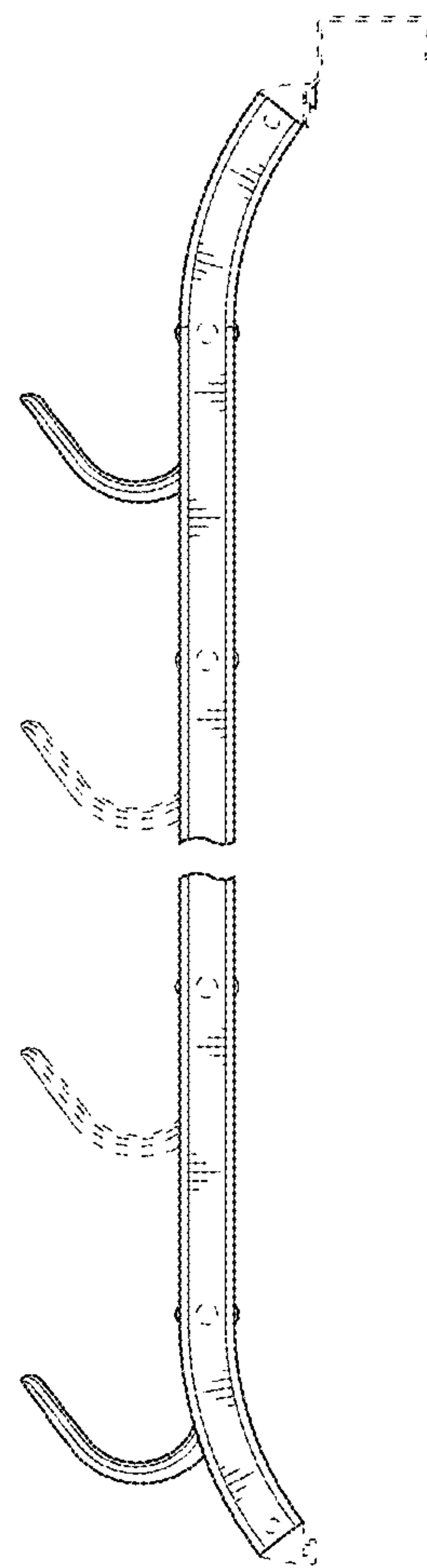


FIG. 7

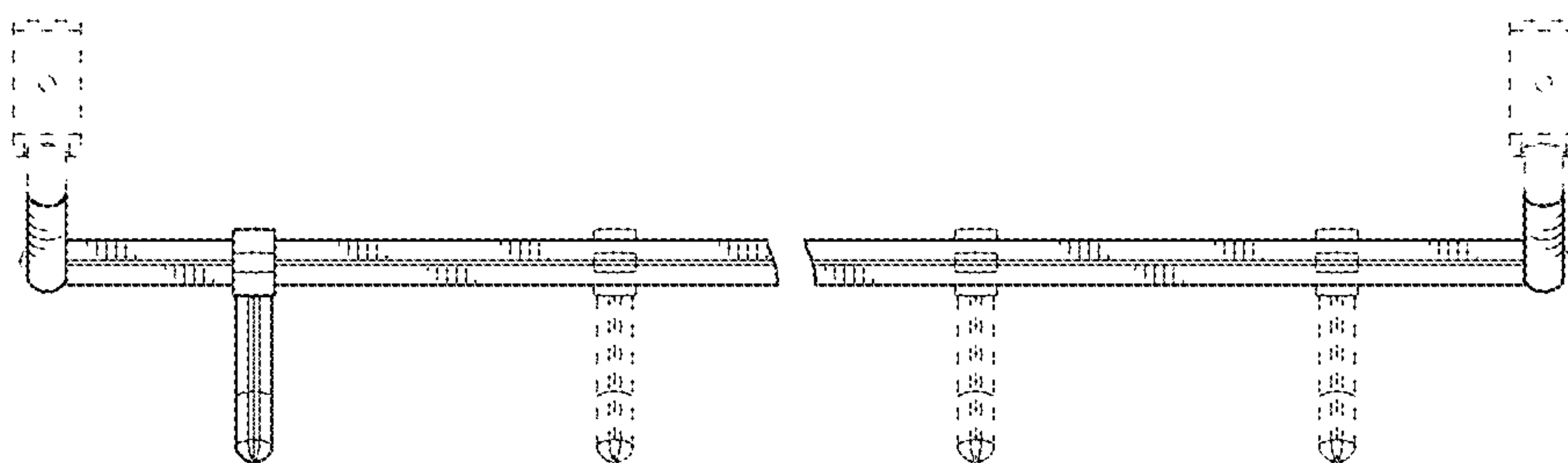


FIG. 8

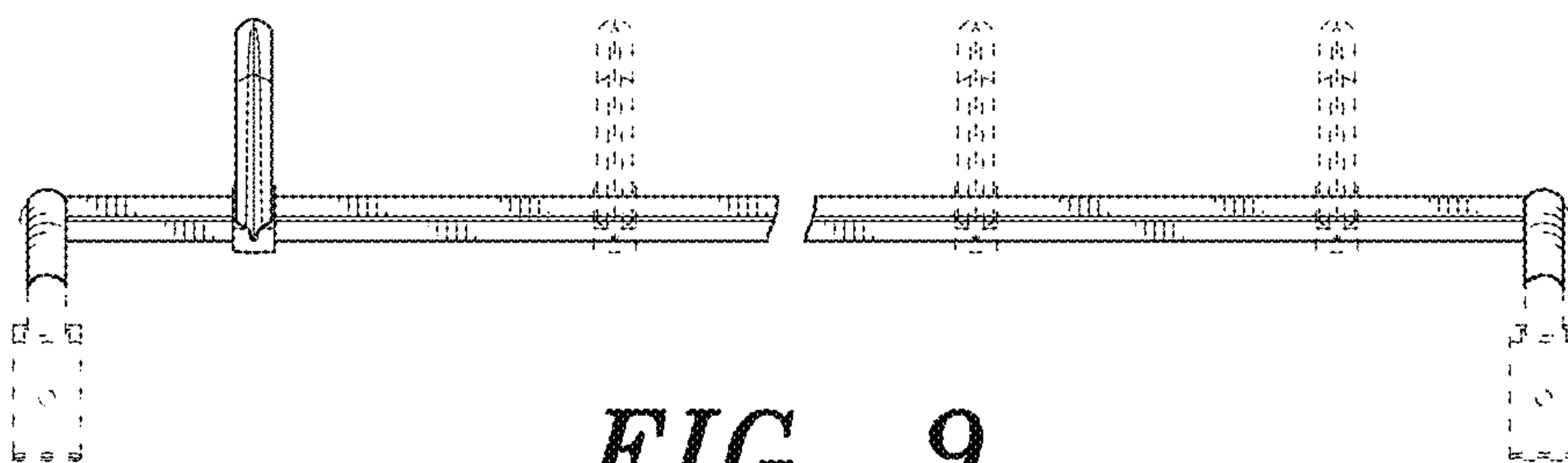


FIG. 9