

US00D768403S

(12) **United States Design Patent**
Goodman et al.

(10) **Patent No.:** **US D768,403 S**

(45) **Date of Patent:** **** Oct. 11, 2016**

(54) **HOLDER**

(71) Applicant: **Spectrum Diversified Designs, Inc.**,
Streetsboro, OH (US)

(72) Inventors: **Sheldon H. Goodman**, Solon, OH
(US); **Phaysouk Xayoiphonh**, Akron,
OH (US); **Courtney K. Wilson**,
Chardon, OH (US)

(73) Assignee: **Spectrum Diversified Designs, LLC**,
Streetsboro, OH (US)

(**) Term: **14 Years**

(21) Appl. No.: **29/519,052**

(22) Filed: **Mar. 2, 2015**

(51) **LOC (10) Cl.** **06-04**

(52) **U.S. Cl.**

USPC **D6/514**

(58) **Field of Classification Search**

USPC D6/514, 512-513, 524, 525, 540, 566,
D6/570; D19/90; 211/13.1, 70.6, 74, 134,
211/70.7, 71.01, 75, 88.01, 86.01, 90.01,
211/90.03, 106, 119; 248/302

CPC A47K 17/00; A47K 3/281; A47K 3/001;
B23P 17/04; A47B 57/265; A47B 57/565;
A47B 57/26

See application file for complete search history.

(56) **References Cited**

U.S. PATENT DOCUMENTS

5,016,760 A * 5/1991 Mayo A47F 7/146
211/55
D363,950 S * 11/1995 Brusing D19/86
D452,533 S * 12/2001 Goodman D19/90
D463,182 S * 9/2002 Klein D6/327

D587,053 S * 2/2009 Goodman D19/90
D593,810 S * 6/2009 Goodman D7/600.4
D649,819 S * 12/2011 Malik D6/513
D747,155 S * 1/2016 Goodman D7/601

* cited by examiner

Primary Examiner — Wan Laymon

Assistant Examiner — Mark Booker

(74) *Attorney, Agent, or Firm* — Renner, Otto, Boisselle
& Sklar, LLP

(57) **CLAIM**

The ornamental design for a holder, as shown and described.

DESCRIPTION

FIG. 1 is a perspective view of a holder showing our new design.

FIG. 2 is a front view thereof.

FIG. 3 is a rear view thereof.

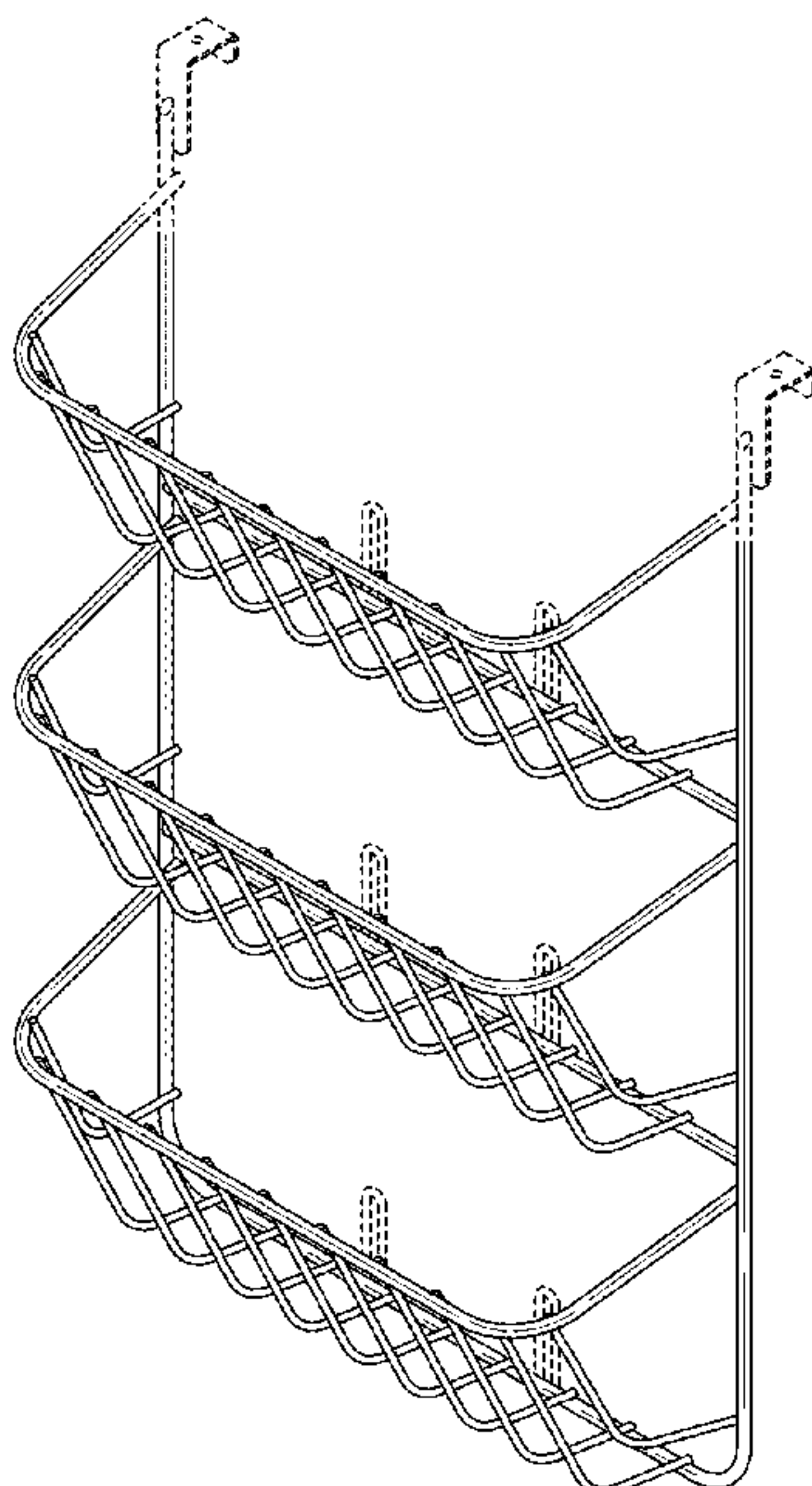
FIG. 4 is a right side view thereof, a left side view being a mirror image of the right side view.

FIG. 5 is a top view thereof; and,

FIG. 6 is a bottom view thereof.

The broken line showing of the figures is included for the purpose of illustrating portions of the holder and forms no part of the claimed design.

1 Claim, 5 Drawing Sheets



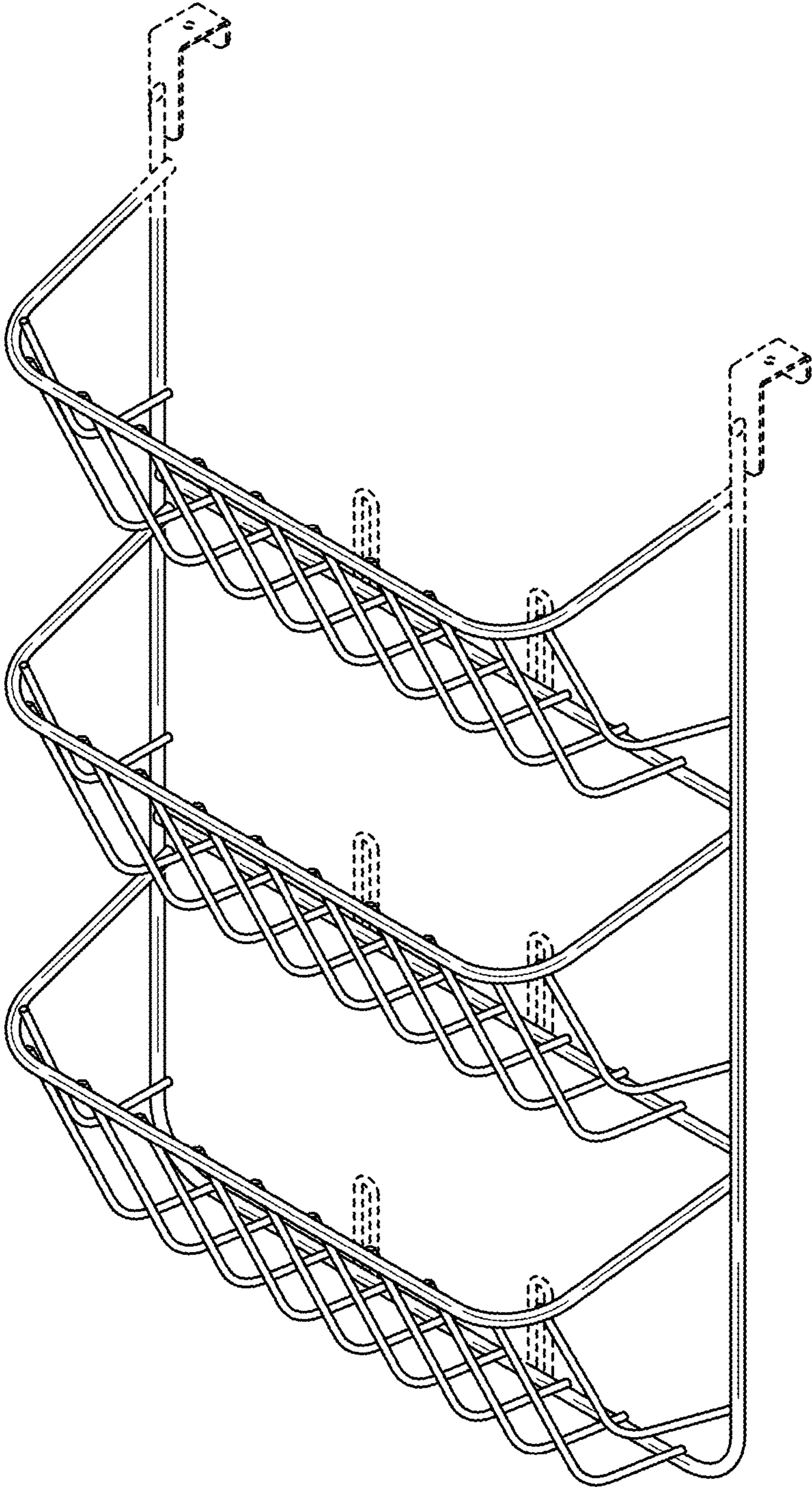


FIG. 1

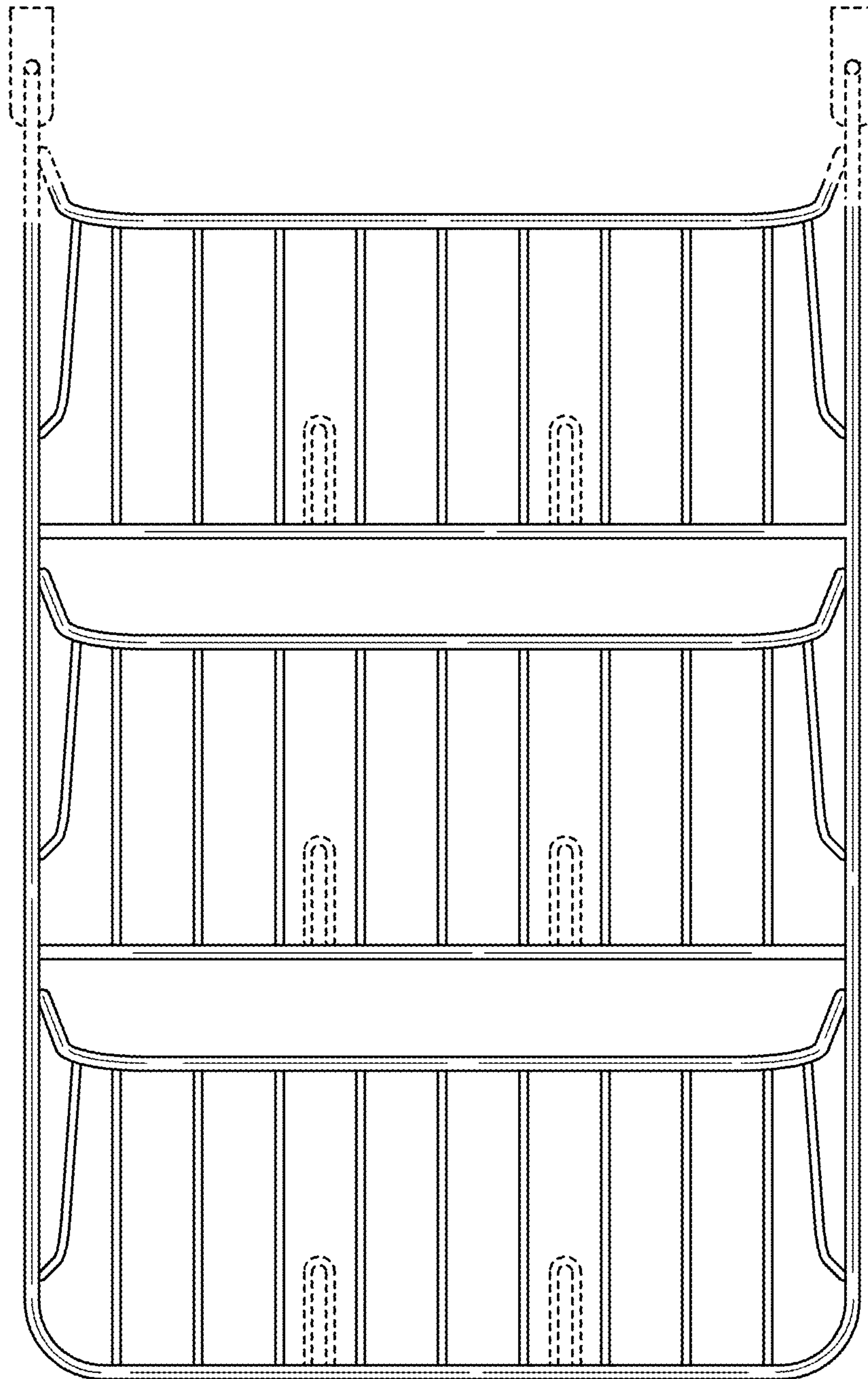


FIG. 2

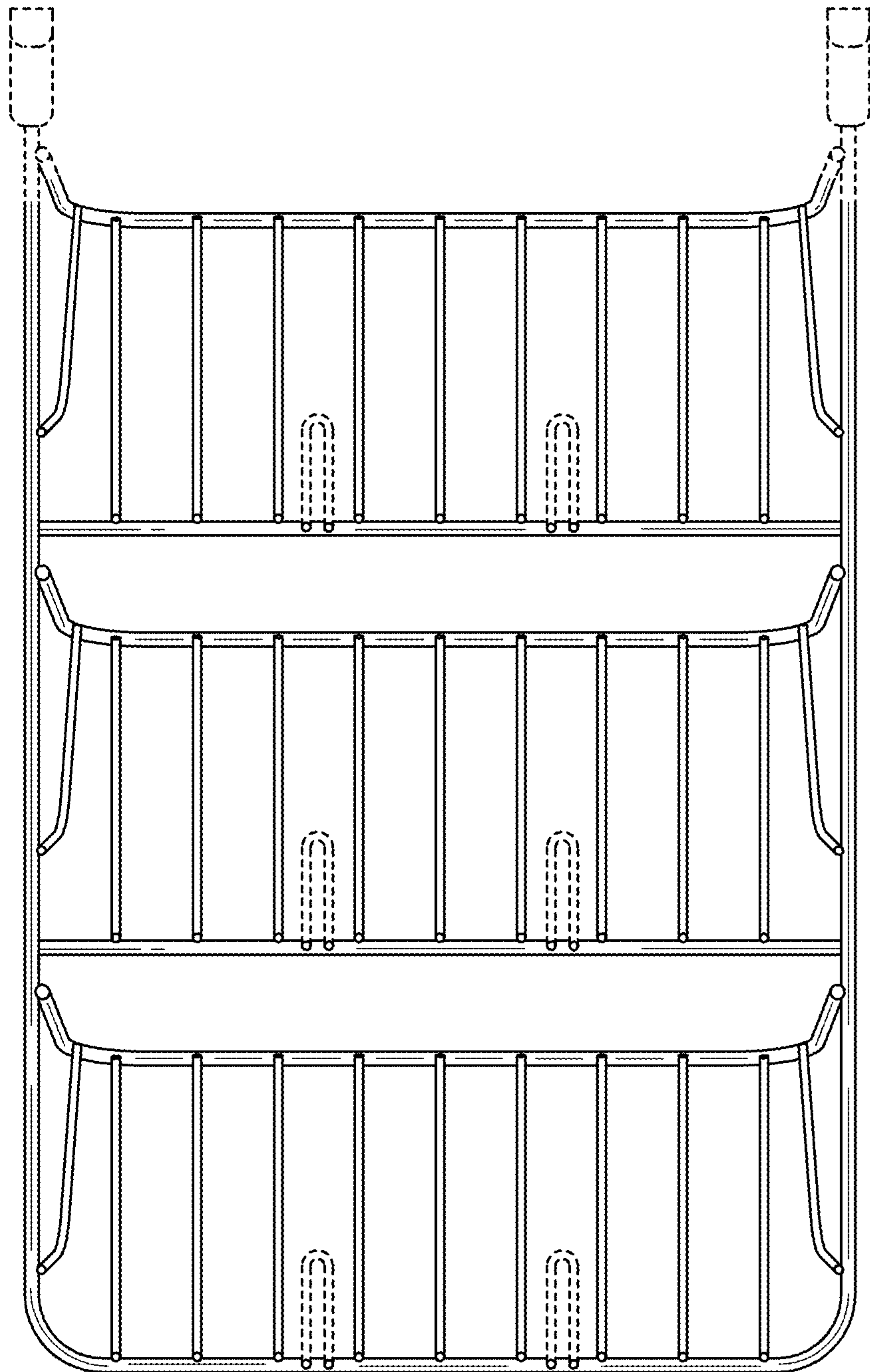


FIG. 3

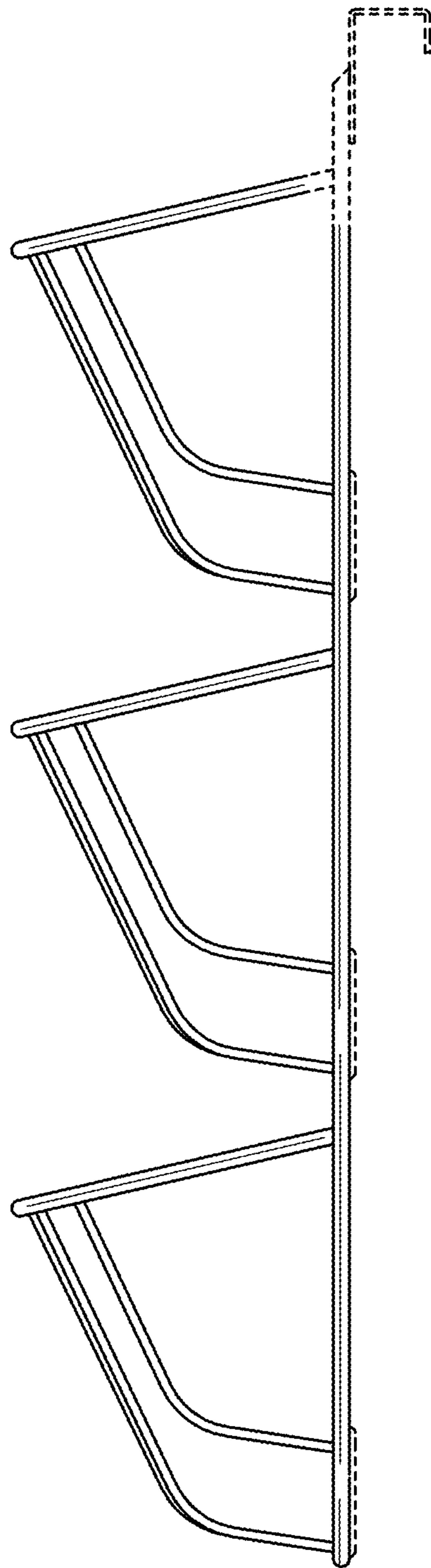


FIG. 4

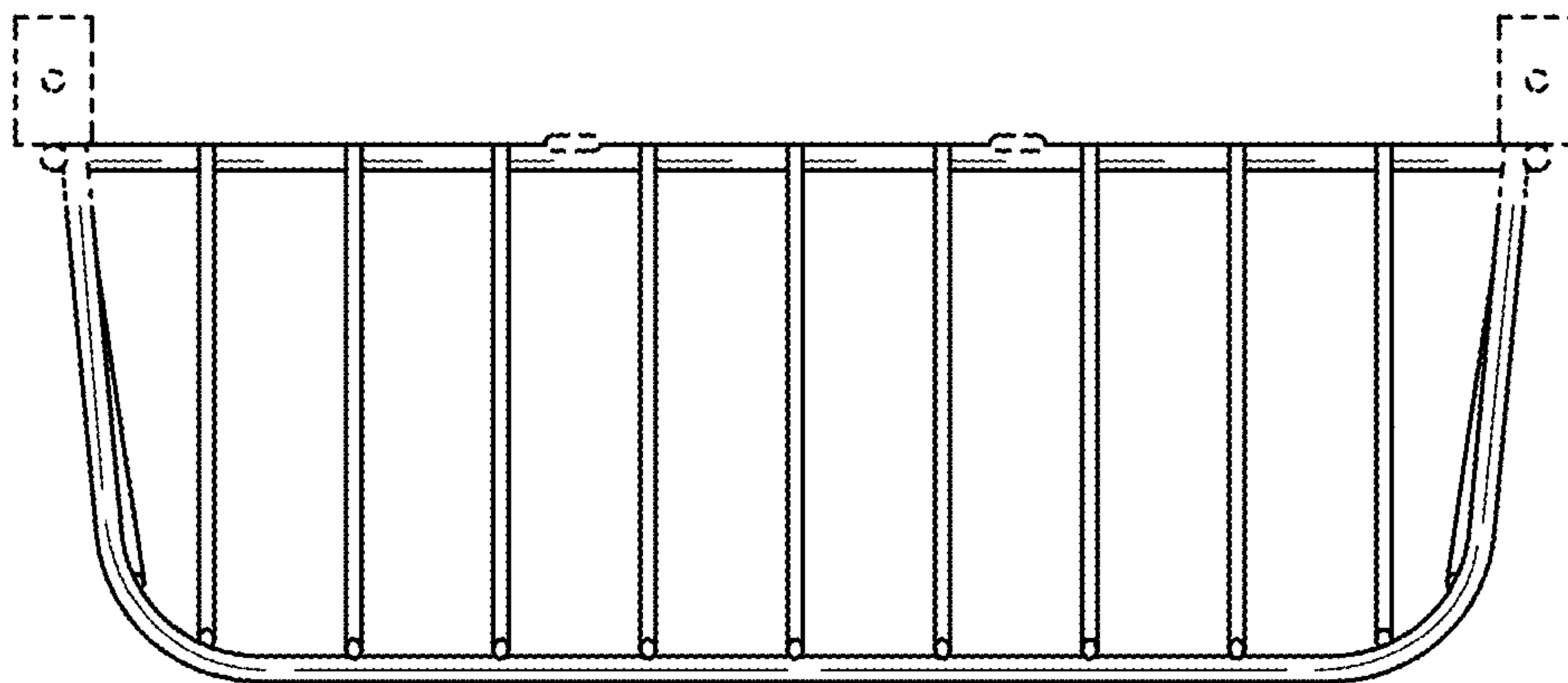


FIG. 5

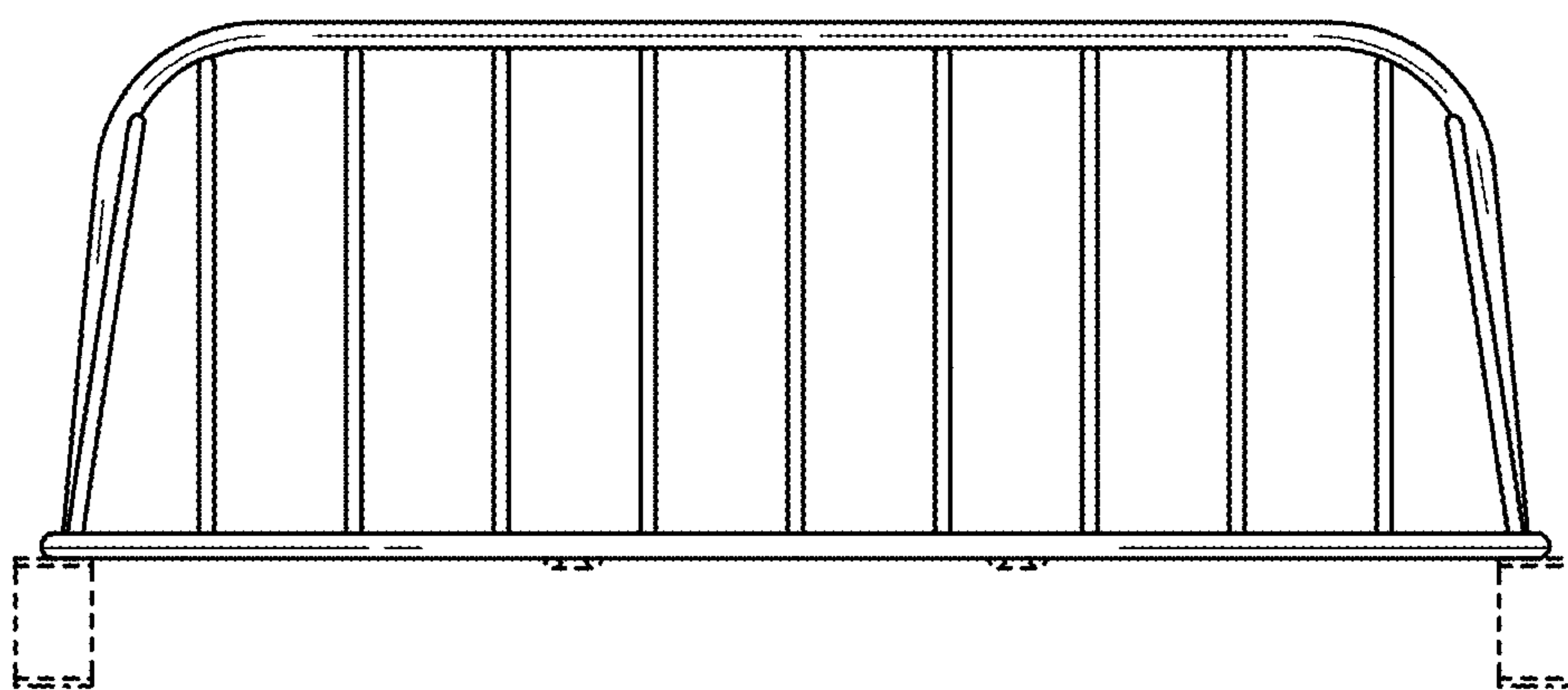


FIG. 6