



US00D768399S

(12) **United States Design Patent** (10) **Patent No.:** **US D768,399 S**
Marshall et al. (45) **Date of Patent:** **** Oct. 11, 2016**

(54) **HANGER**

(71) Applicant: **Urbio, Inc.**, Oakland, CA (US)

(72) Inventors: **Jon Marshall**, London (GB); **Will Howe**, London (GB); **Edward Barber**, London (GB); **Jay Osgerby**, London (GB); **Molly Anderson**, San Francisco, CA (US); **Assaf Wand**, Palo Alto, CA (US)

(73) Assignee: **Honey-Can-Do International, LLC**, Berkeley, IL (US)

(**) Term: **15 Years**

(21) Appl. No.: **29/537,062**

(22) Filed: **Aug. 21, 2015**

(51) **LOC (10) Cl.** **06-08**

(52) **U.S. Cl.**
USPC **D6/318; D6/553**

(58) **Field of Classification Search**
USPC D6/315-328, 553, 567, 569;
223/85-98; 211/1, 13.1, 85.3, 87.01
CPC A47G 25/28; A47G 25/14; A47G 25/36;
A47G 25/48; A47G 25/66; A47G 25/441;
A47G 25/481; A47G 25/483; A47G 25/485;
A47G 25/487; A47G 25/621; A47G 25/743;
A47F 5/0006

See application file for complete search history.

(56) **References Cited**

U.S. PATENT DOCUMENTS

D169,934 S * 6/1953 Coon D6/318
2,663,470 A * 12/1953 Albert A47G 25/4053
223/94
D214,324 S * 6/1969 Schier et al. D6/321

D214,891 S * 8/1969 Bartholomew D6/323
D214,924 S * 8/1969 Schier at al. D6/323
D259,532 S * 6/1981 Steele D6/319
4,484,682 A 11/1984 Crow
D287,175 S 12/1986 Gecchelin
D305,193 S 12/1989 Sajadieh
5,037,107 A 8/1991 McArthur et al.
D334,265 S 3/1993 Giugiaro
5,368,203 A 11/1994 Friedrich et al.
5,871,107 A 2/1999 Johnson et al.
D423,233 S * 4/2000 Hofstee D6/318
6,065,632 A 5/2000 Moore, Jr. et al.
D448,299 S 9/2001 Negre
D481,236 S 10/2003 Hunt

(Continued)

FOREIGN PATENT DOCUMENTS

JP 2002/199980 7/2002
JP 2003/246378 9/2003
WO WO 2009/116895 9/2009

Primary Examiner — Derrick Holland

Assistant Examiner — Lauren Calve

(74) *Attorney, Agent, or Firm* — Culhane Meadows PLLC

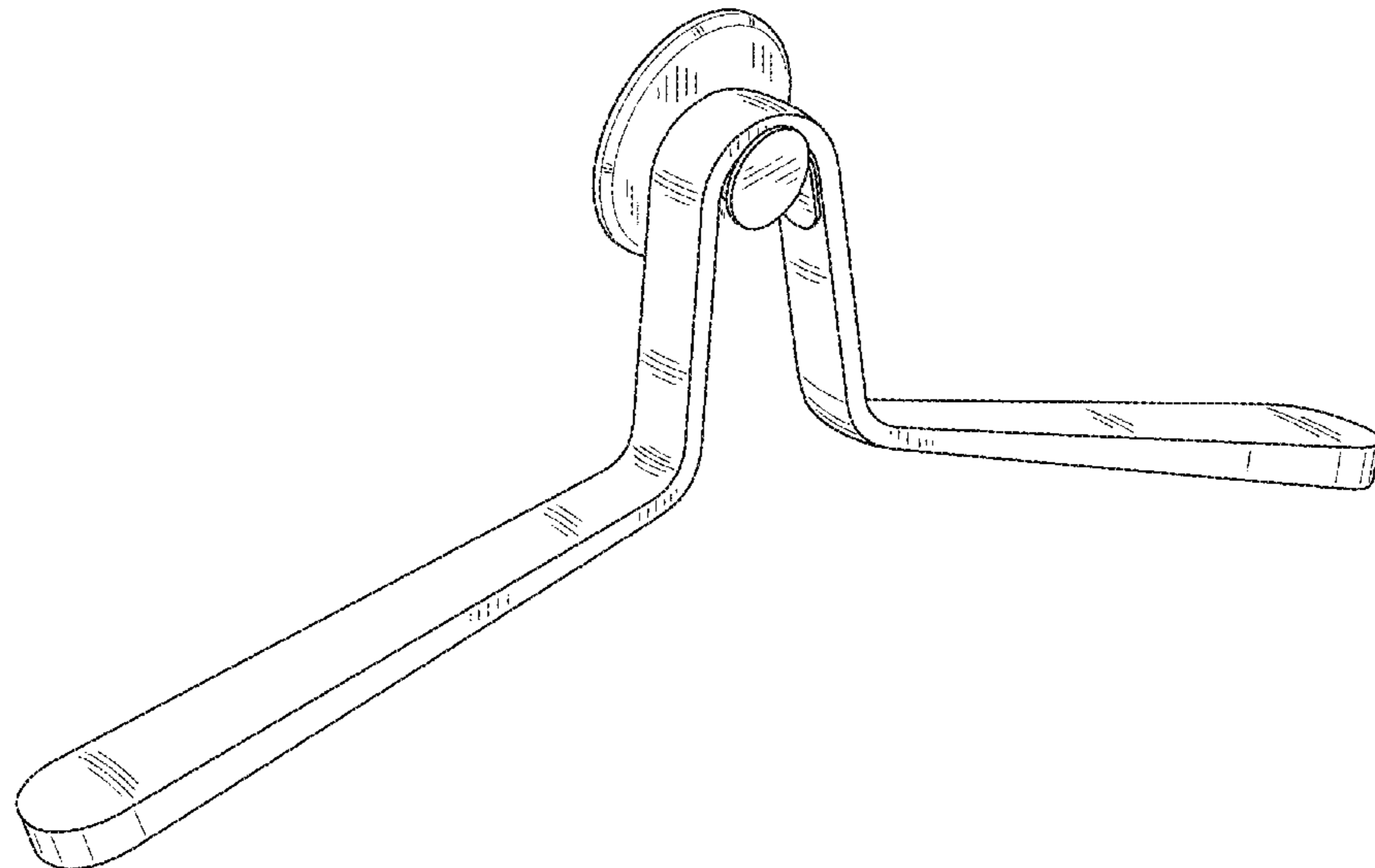
(57) **CLAIM**

The ornamental design for a hanger, as shown.

DESCRIPTION

FIG. 1 is a front perspective view of a hanger showing our new design;
FIG. 2 is a back perspective view of the hanger of FIG. 1;
FIG. 3 is a front elevation view of the hanger of FIG. 1;
FIG. 4 is a back elevation view of the hanger of FIG. 1;
FIG. 5 is a right elevation view of the hanger of FIG. 1;
FIG. 6 is a left elevation view of the hanger of FIG. 1;
FIG. 7 is a top plan view of the hanger of FIG. 1; and
FIG. 8 is a bottom plan view of the hanger of FIG. 1.

1 Claim, 6 Drawing Sheets



(56)

References Cited

U.S. PATENT DOCUMENTS

D497,777 S 11/2004 Sanders et al.
 D502,605 S * 3/2005 Gugler D6/318
 D506,644 S 6/2005 Poupel et al.
 7,010,935 B2 3/2006 Citrynell et al.
 D540,623 S 4/2007 Schreiber-Pethan et al.
 D543,788 S 6/2007 Hong
 D543,790 S 6/2007 Szymanski
 D551,502 S 9/2007 Bodum
 D563,733 S 3/2008 Wang
 D564,843 S 3/2008 Frank
 D564,844 S 3/2008 Schreiber-Pethan et al.
 D579,616 S 10/2008 Lion et al.
 D581,279 S 11/2008 Oates
 D581,738 S 12/2008 Bodum
 D588,913 S 3/2009 Bakic
 D590,564 S 4/2009 Dretzka
 D593,882 S 6/2009 Scalisi
 D594,277 S 6/2009 Snell
 D607,616 S 1/2010 Newsome et al.
 D611,769 S 3/2010 Hauser
 D612,732 S 3/2010 Takata et al.
 D613,127 S 4/2010 Olivari
 D613,999 S 4/2010 Sierra
 D614,917 S 5/2010 Calco
 D620,764 S 8/2010 Lessells
 D621,223 S 8/2010 Bas
 D621,665 S 8/2010 Lion et al.
 D622,553 S 8/2010 Bollenbacher
 D626,791 S 11/2010 Sierra
 D628,340 S 11/2010 Krause
 D629,264 S 12/2010 Curtin
 D632,138 S 2/2011 Carter
 D634,165 S 3/2011 Yang
 7,897,088 B2 3/2011 Mitchell

D640,248 S 6/2011 Baumann et al.
 D643,317 S 8/2011 Clear et al.
 8,001,671 B2 8/2011 Mitchell
 D646,852 S 10/2011 Chance et al.
 D648,212 S 11/2011 Golota et al.
 D651,049 S 12/2011 Nakagawa
 D651,467 S 1/2012 Bodum
 D655,984 S 3/2012 Andreesen
 D661,948 S 6/2012 Bangert
 D661,989 S 6/2012 Praster
 D662,785 S 7/2012 Kern
 D667,240 S 9/2012 Weldon
 D676,710 S 2/2013 Kwok
 D680,812 S 4/2013 Justus et al.
 D685,230 S 7/2013 Hassman
 D685,608 S 7/2013 Bangert
 D685,610 S 7/2013 Bangert
 D698,568 S 2/2014 Chen
 D711,239 S 8/2014 Julier
 D717,116 S 11/2014 Aslon
 D717,608 S 11/2014 Lin
 D718,532 S 12/2014 Wang
 D752,898 S * 4/2016 Lim D6/553
 2004/0089681 A1 * 5/2004 Asplet A47G 25/1407
 223/85
 2004/0173719 A1 9/2004 Mitchell et al.
 2005/0056646 A1 3/2005 Gary
 2007/0131695 A1 6/2007 Hsing-Hsien
 2008/0060204 A1 3/2008 Chen
 2009/0166243 A1 7/2009 Cetera
 2010/0071395 A1 3/2010 LeDoux et al.
 2010/0206825 A1 8/2010 Johnston et al.
 2011/0024585 A1 2/2011 Brinkdopke et al.
 2015/0128491 A1 5/2015 Aller et al.
 2015/0158633 A1 6/2015 Aller et al.
 2015/0164003 A1 6/2015 Aller et al.

* cited by examiner

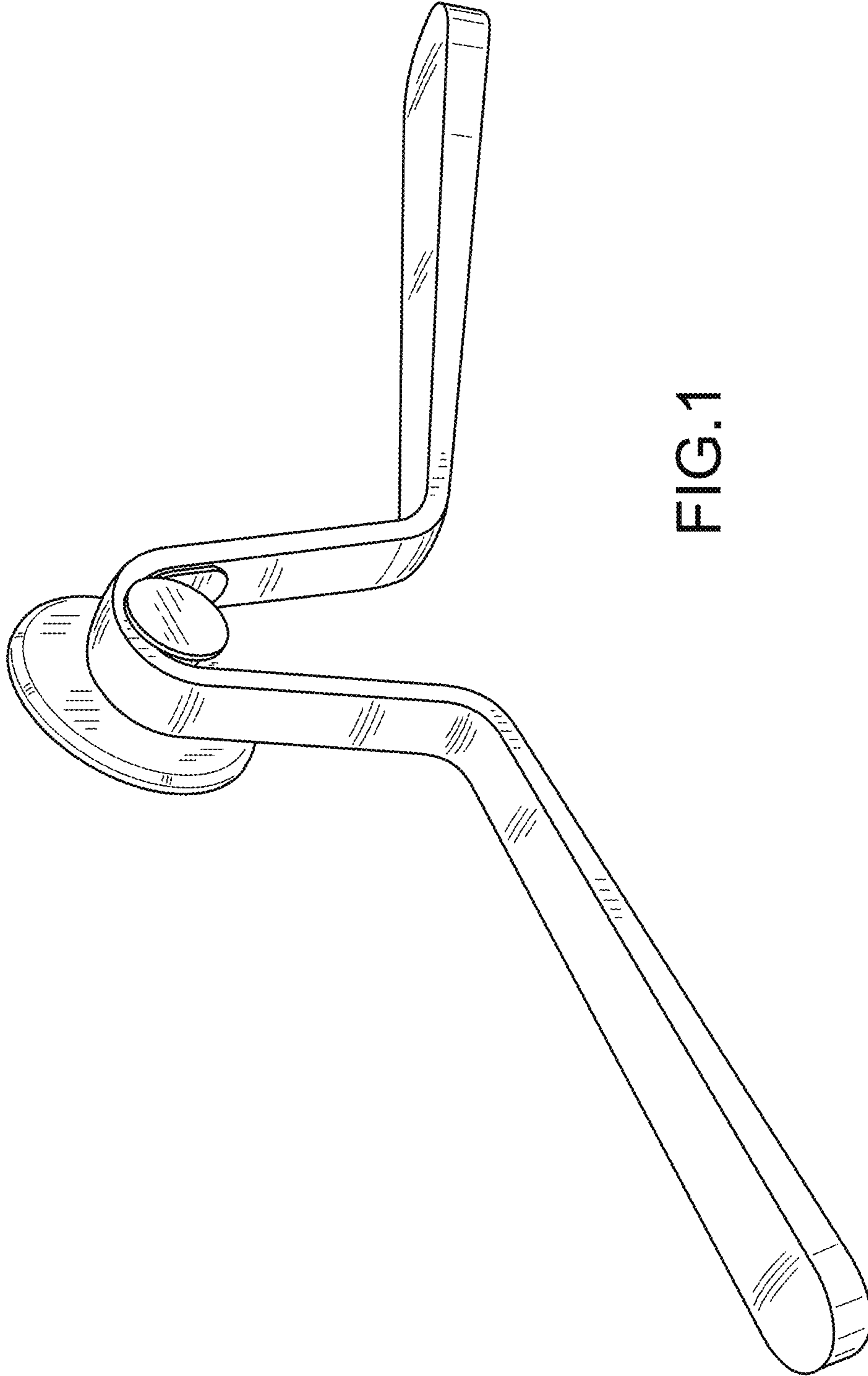


FIG. 1

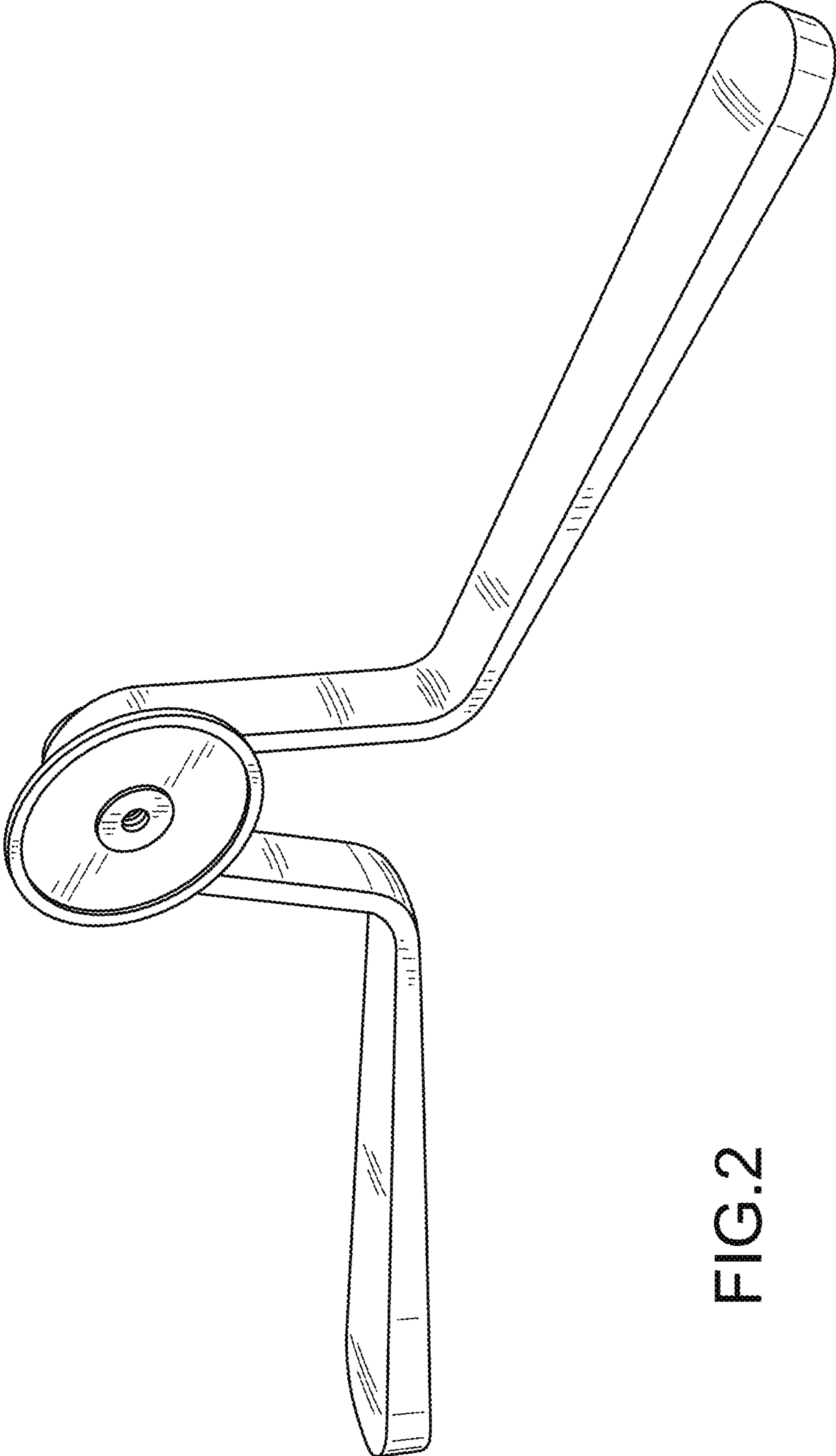


FIG. 2

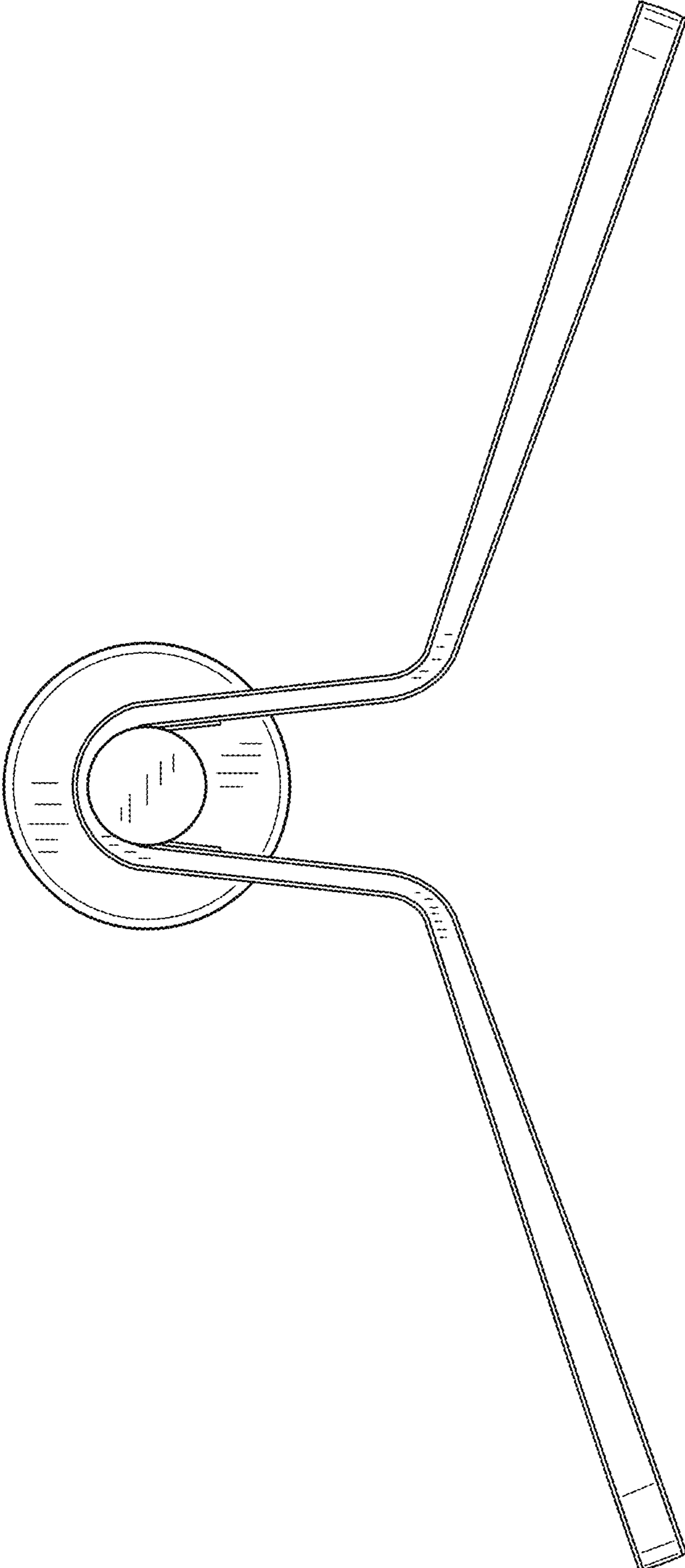


FIG.3

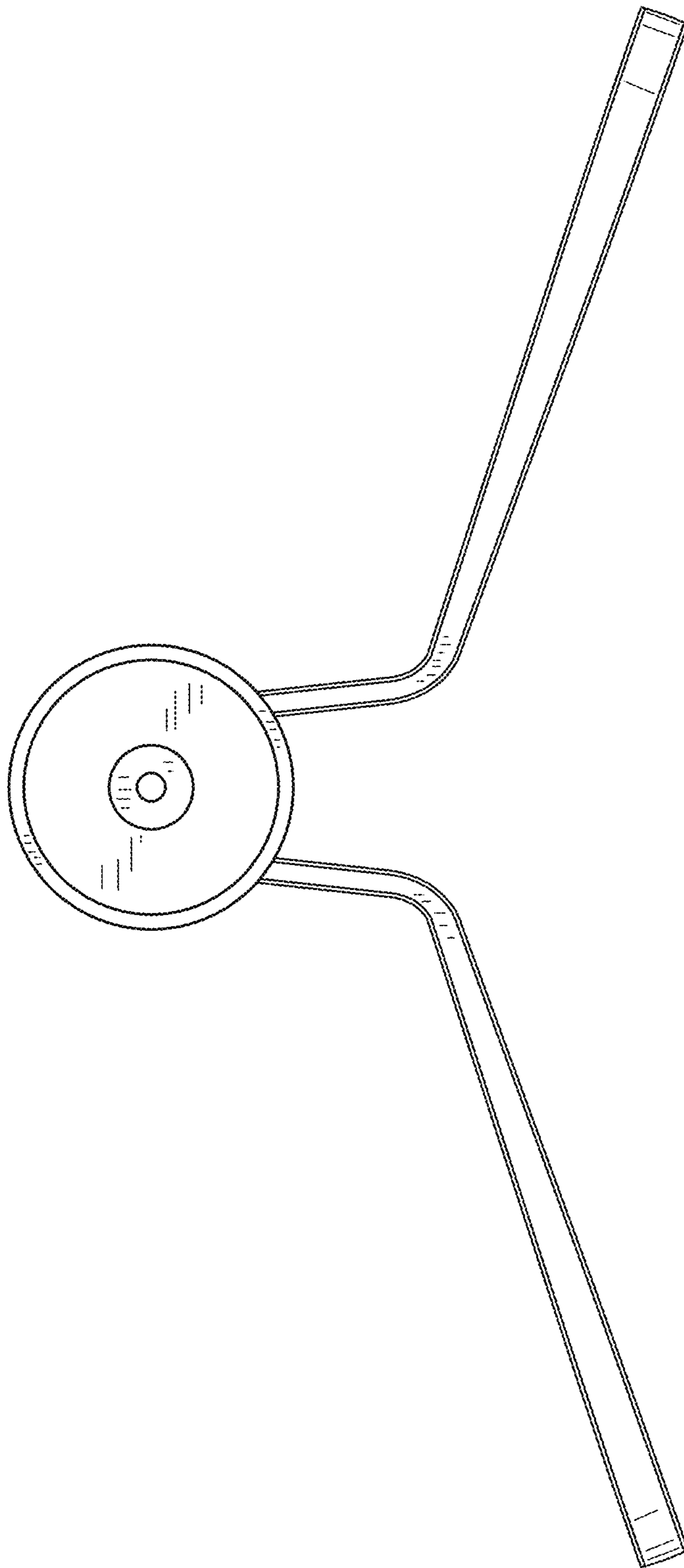


FIG.4

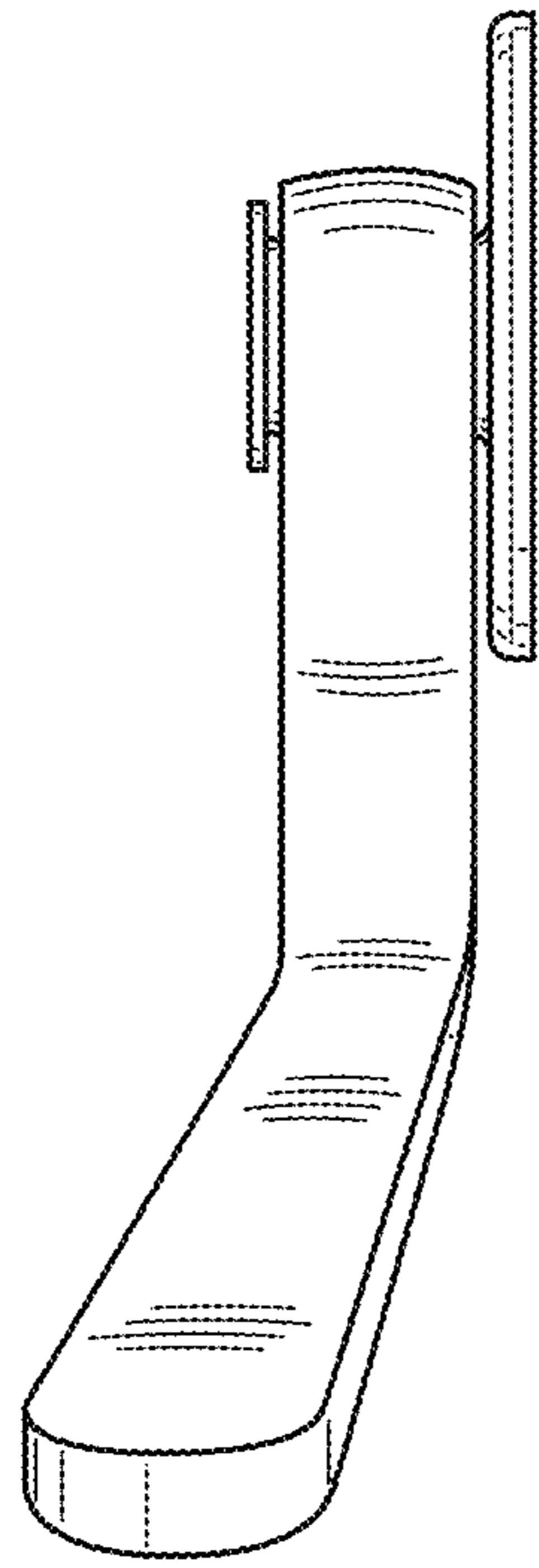


FIG. 5

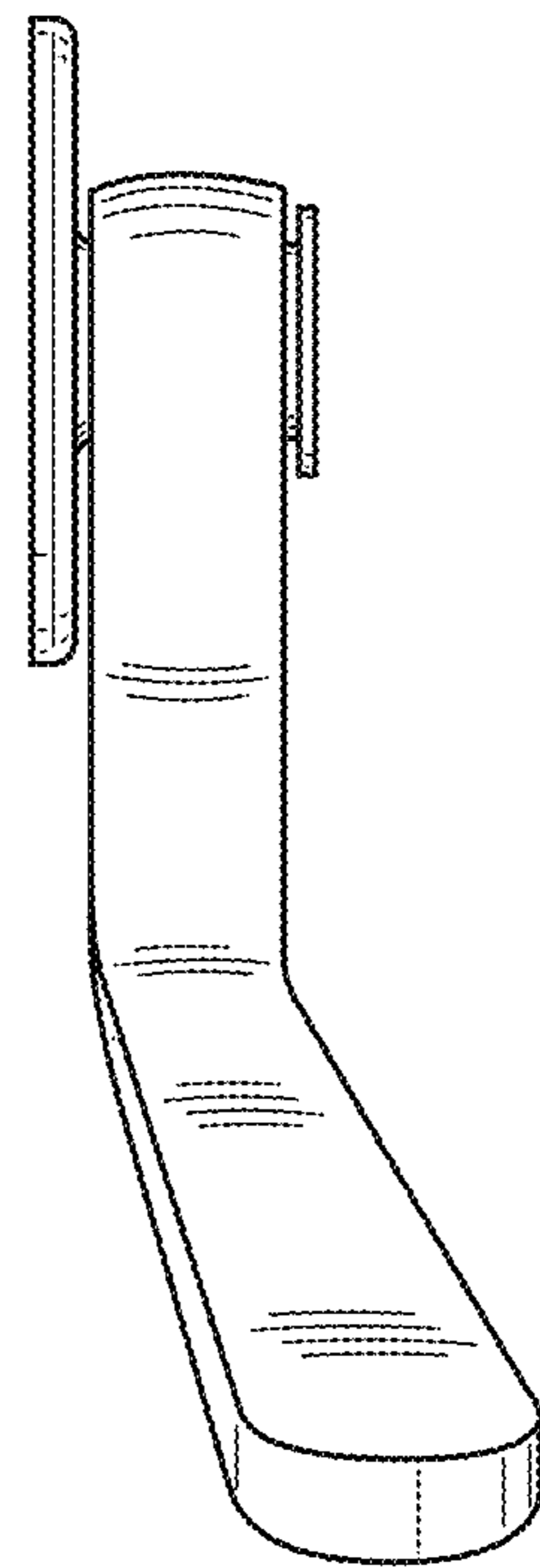


FIG. 6

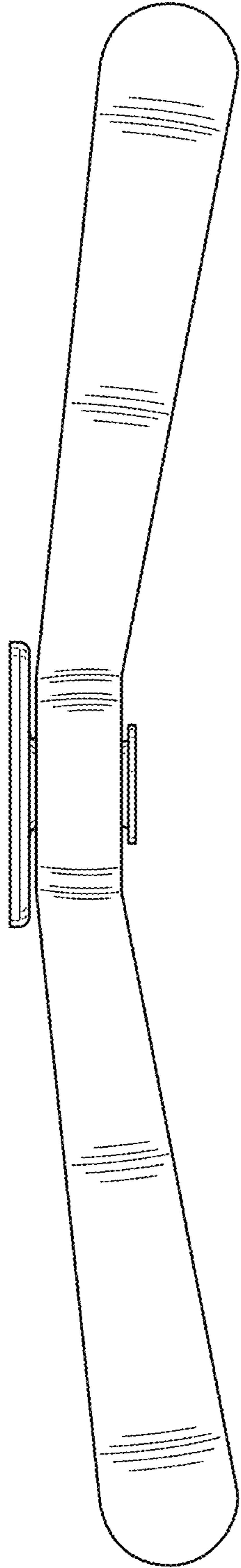


FIG. 7

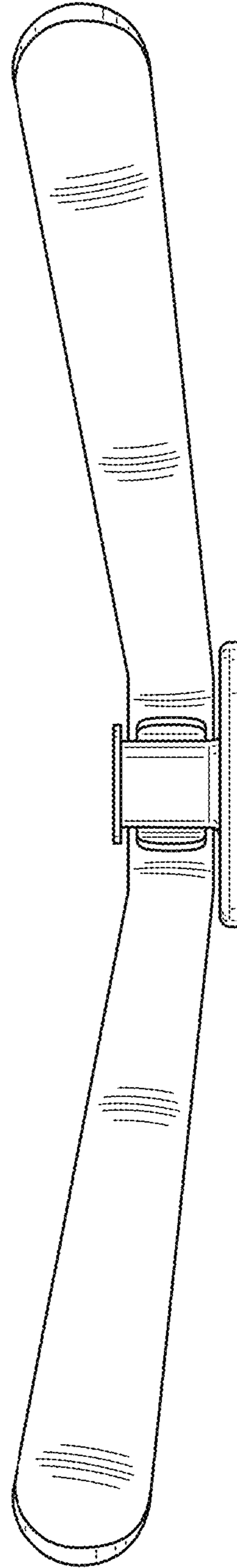


FIG. 8