



US00D768391S

(12) **United States Design Patent** (10) **Patent No.:** **US D768,391 S**
Kling et al. (45) **Date of Patent:** **** Oct. 11, 2016**

(54) **BRUSH ATTACHMENT FOR A BEAUTY CARE DEVICE**

(75) Inventors: **Björn Kling**, Glashütten (DE); **Britta Stockinger**, Großenseebach (DE)

(73) Assignee: **Braun GmbH**, Kronberg (DE)

(**) Term: **14 Years**

(21) Appl. No.: **29/428,325**

(22) Filed: **Jul. 30, 2012**

(30) **Foreign Application Priority Data**

Jan. 31, 2012 (WO) 650383901

(51) **LOC (10) Cl.** **04-02**

(52) **U.S. Cl.**
USPC **D4/127**

(58) **Field of Classification Search**
USPC D4/100, 102, 127, 132, 134, 136, 138;
D24/146, 200, 214, 215; D28/58, 63;
15/21.1, 22.1, 28, 29, 176.1, 176.4,
15/176.5, 176.6, 207.2, 180; 601/109,
601/112, 114
CPC A46B 3/00; A46B 3/005; A46B 3/22;
A46B 5/0095; A46B 7/00; A46B 7/04;
A46B 7/042; A46B 7/06; A46B 7/08; A46B
9/00; A46B 9/005; A46B 9/02; A46B 9/06;
A46B 13/00; A46B 13/008; A46B 13/02;
A46B 13/023; A46B 13/026; A46B 13/04;
A46B 13/08; A46B 15/0002; A46B 15/0022;
A46D 1/00; A47K 7/00; A47K 7/02; A47K
7/04; A47K 7/043; A47L 23/06; A61H 7/00;
A61H 7/003; A61H 7/005; A61H 2205/022

See application file for complete search history.

(56) **References Cited**

U.S. PATENT DOCUMENTS

2,156,514 A * 5/1939 Sassano 15/180
2,682,675 A * 7/1954 Prucha 15/29
D245,883 S * 9/1977 Tsuji et al. D4/102
4,203,431 A * 5/1980 Abura et al. 601/6
2013/0023806 A1* 1/2013 Ungemach et al. 601/114

FOREIGN PATENT DOCUMENTS

EP 2245957 A1 * 11/2010 A45D 26/00
KR 210671 S * 4/1998
KR 30-0504630 S * 9/2008
WO WO 0156529 A2 * 8/2001 A46B 13/008

* cited by examiner

Primary Examiner — Manpreet Matharu

Assistant Examiner — Aula Soroush

(74) *Attorney, Agent, or Firm* — Ronald Terk Sia; Kevin C. Johnson; Steven W. Miller

(57) **CLAIM**

The ornamental design for a brush attachment for a beauty care device, as shown and described.

DESCRIPTION

FIG. 1 is an environmental perspective view wherein the broken lines showing a handle form no part of the claimed design;

FIG. 2 is a front view of the design as shown in FIG. 1;

FIG. 3 is a right side view of the design as shown in FIG. 1;

FIG. 4 is a rear view of the design as shown in FIG. 1;

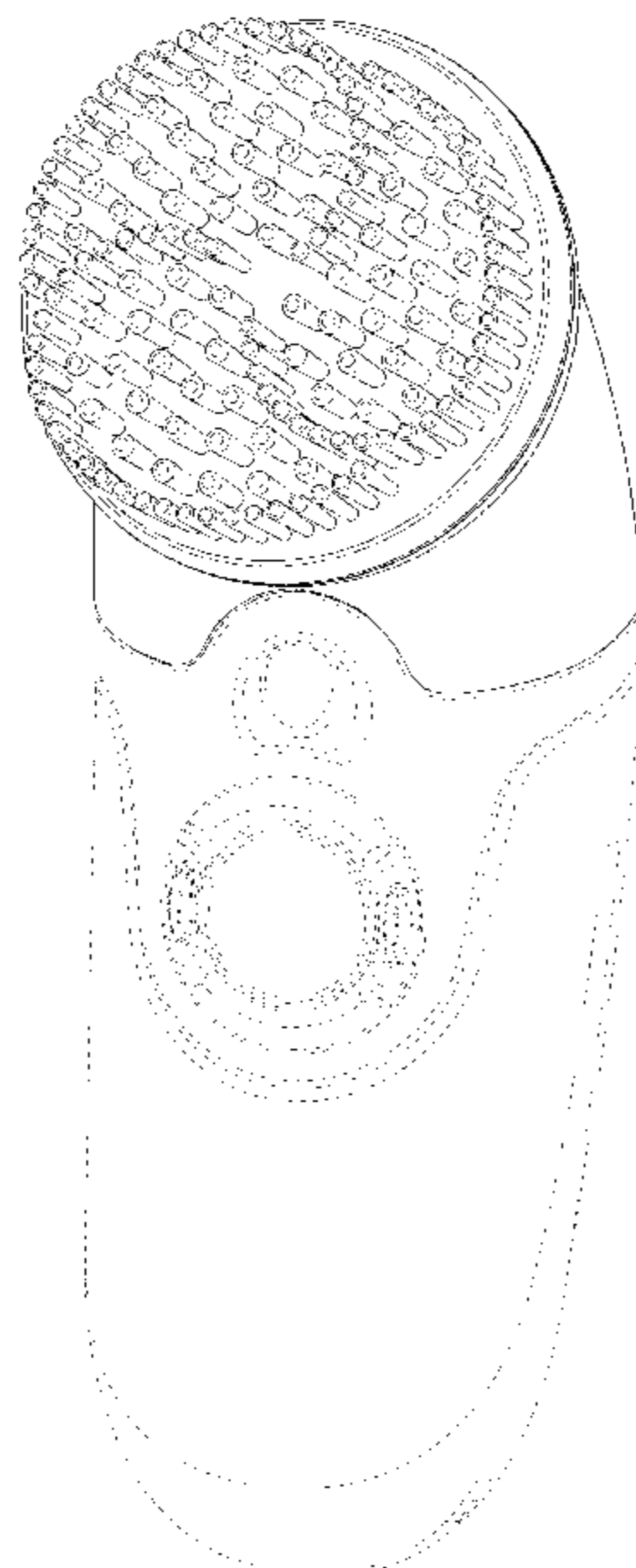
FIG. 5 is a left side view of the design as shown in FIG. 1;

FIG. 6 is a top plan view of the design as shown in FIG. 1;

and,

FIG. 7 is a bottom plan view of the design as shown in FIG. 1.

1 Claim, 6 Drawing Sheets



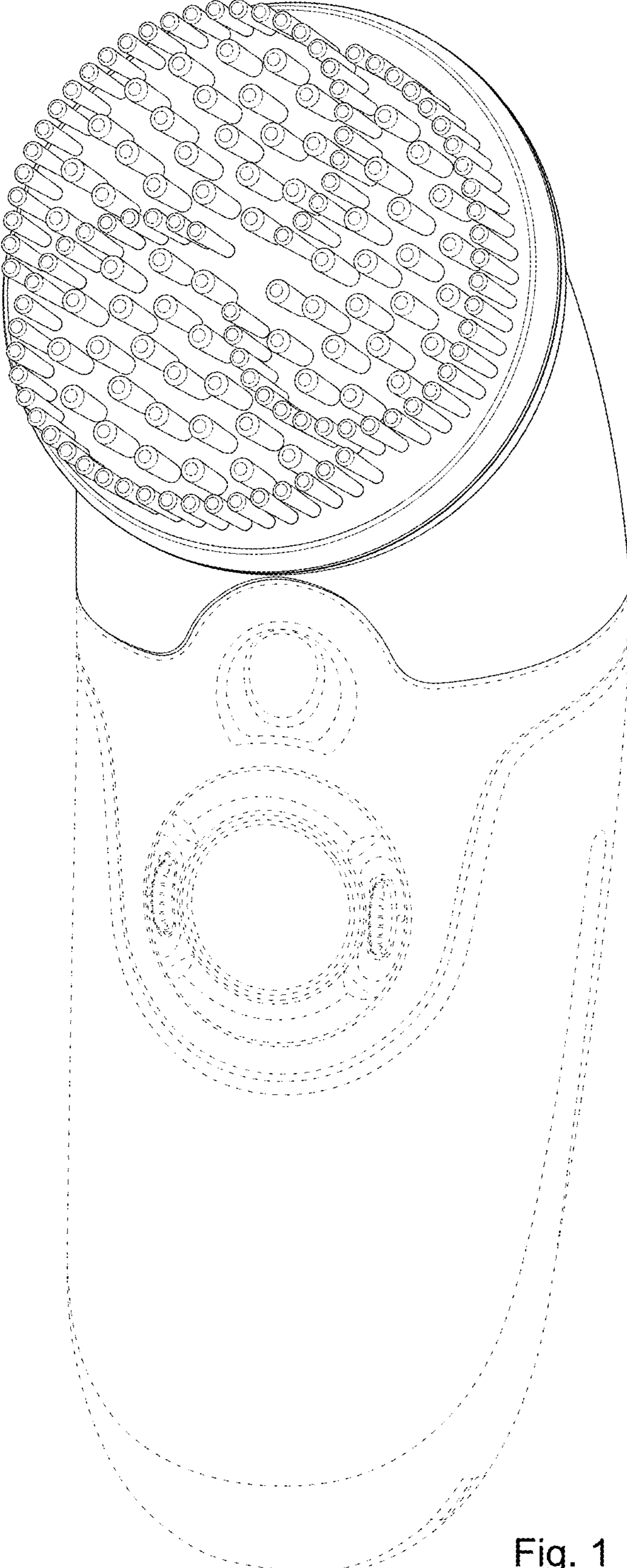


Fig. 1

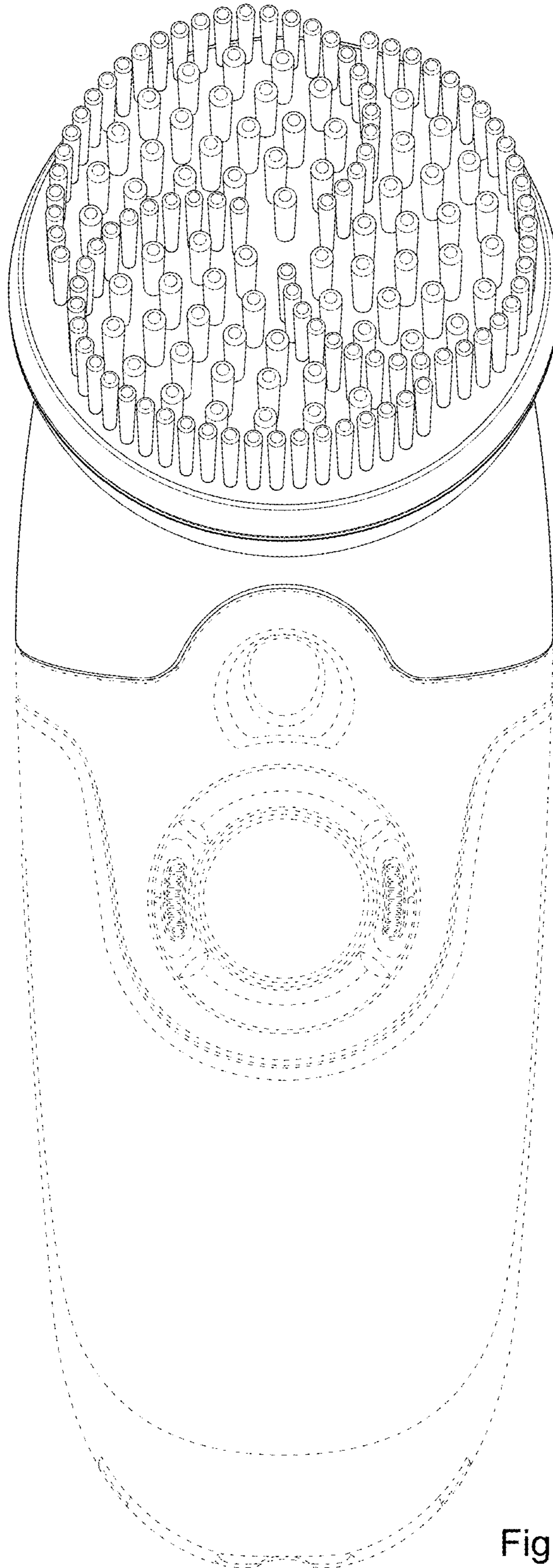


Fig. 2

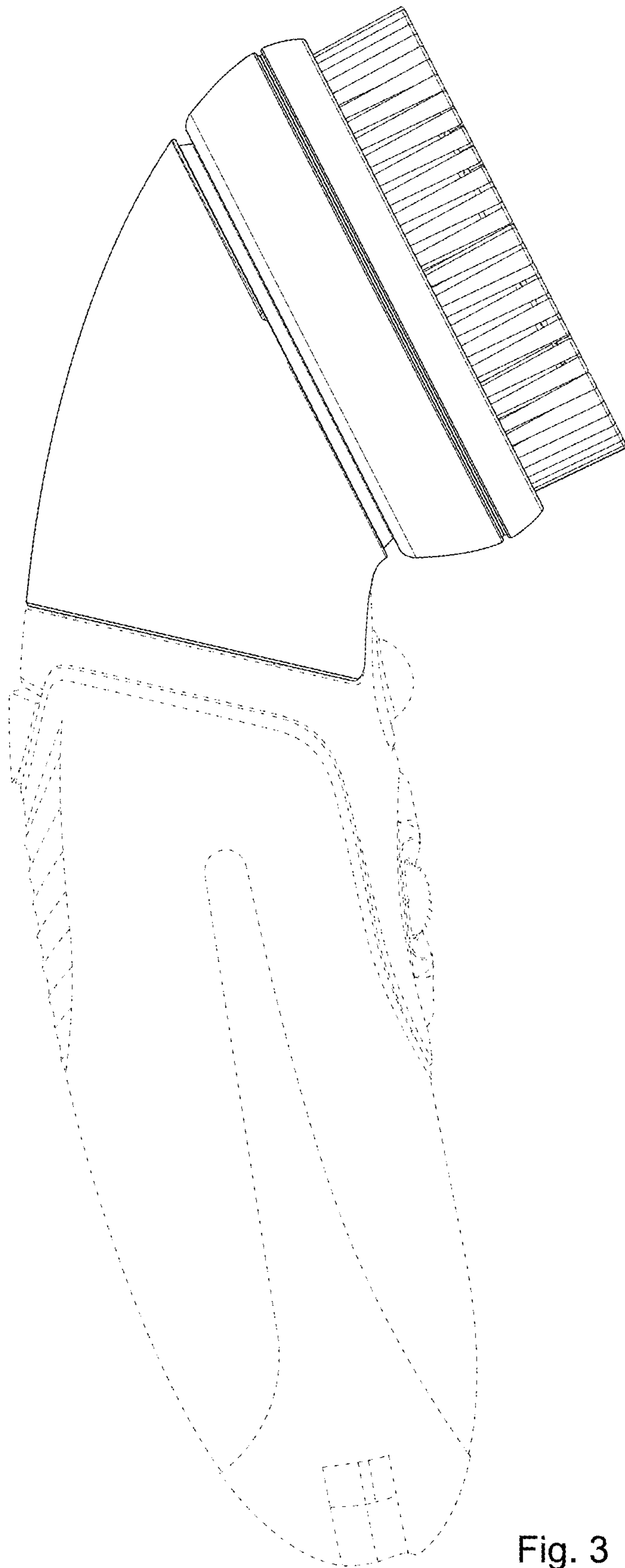


Fig. 3

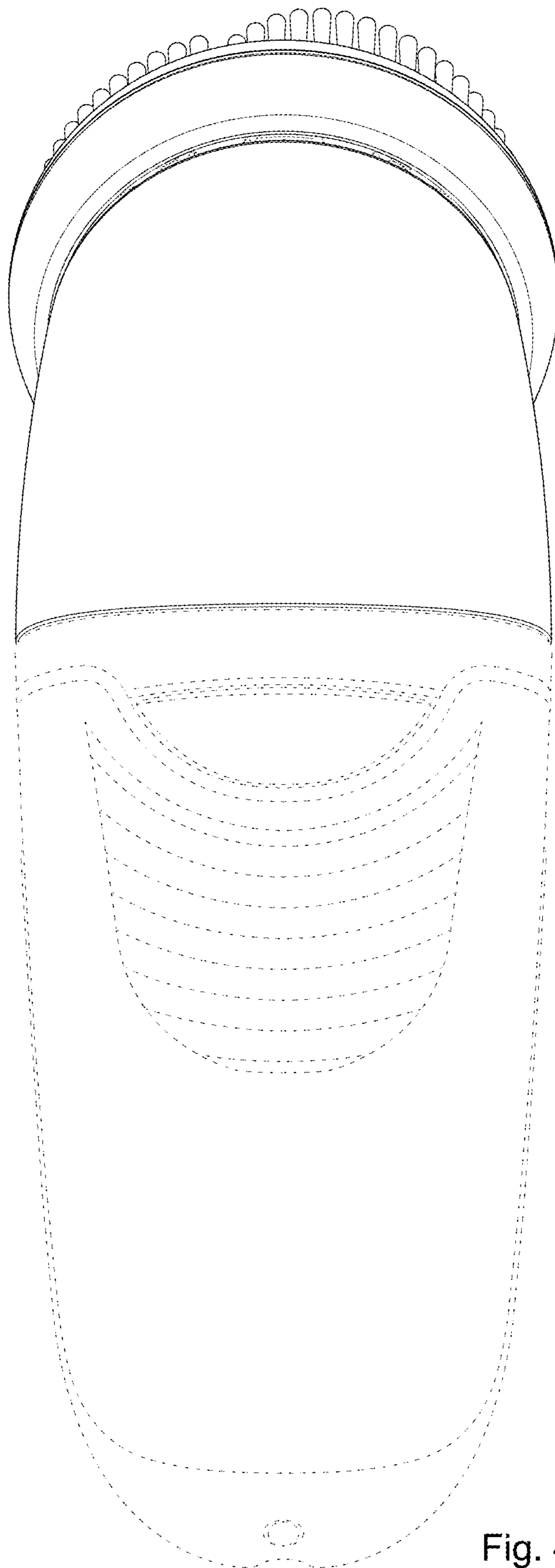


Fig. 4

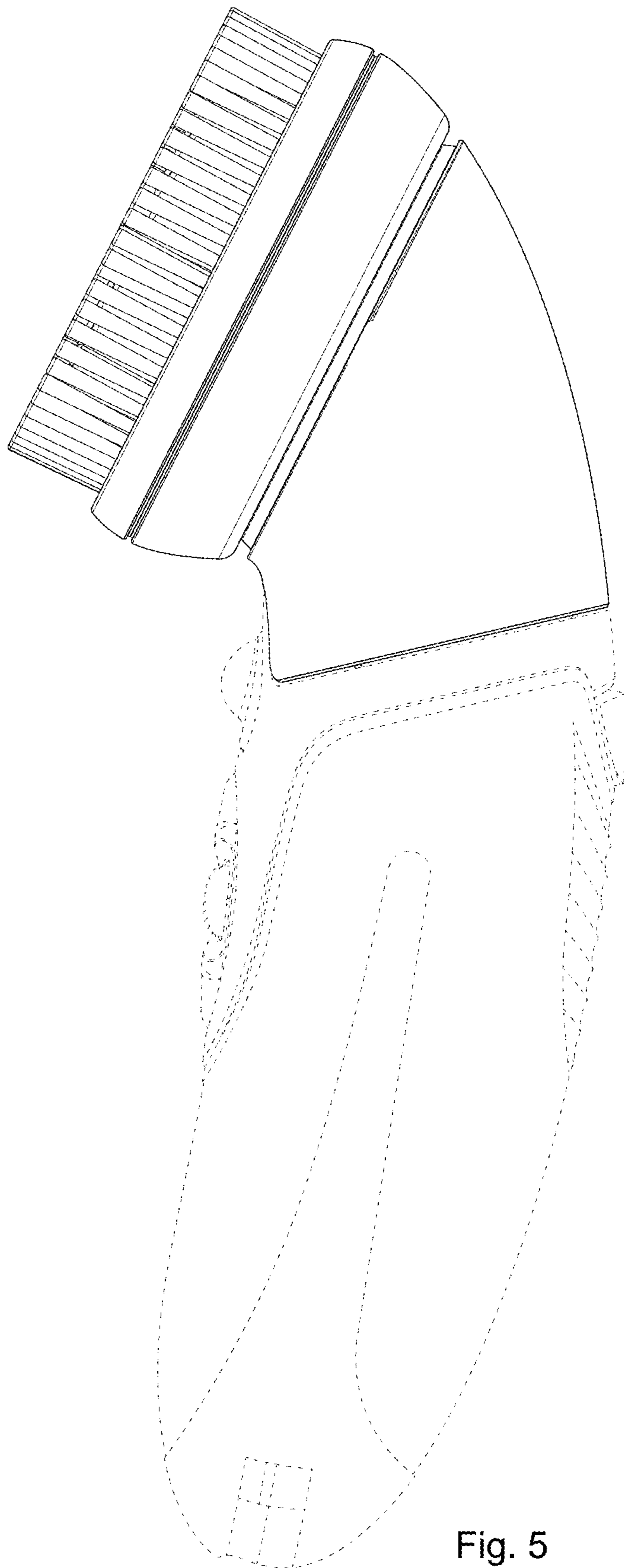


Fig. 5

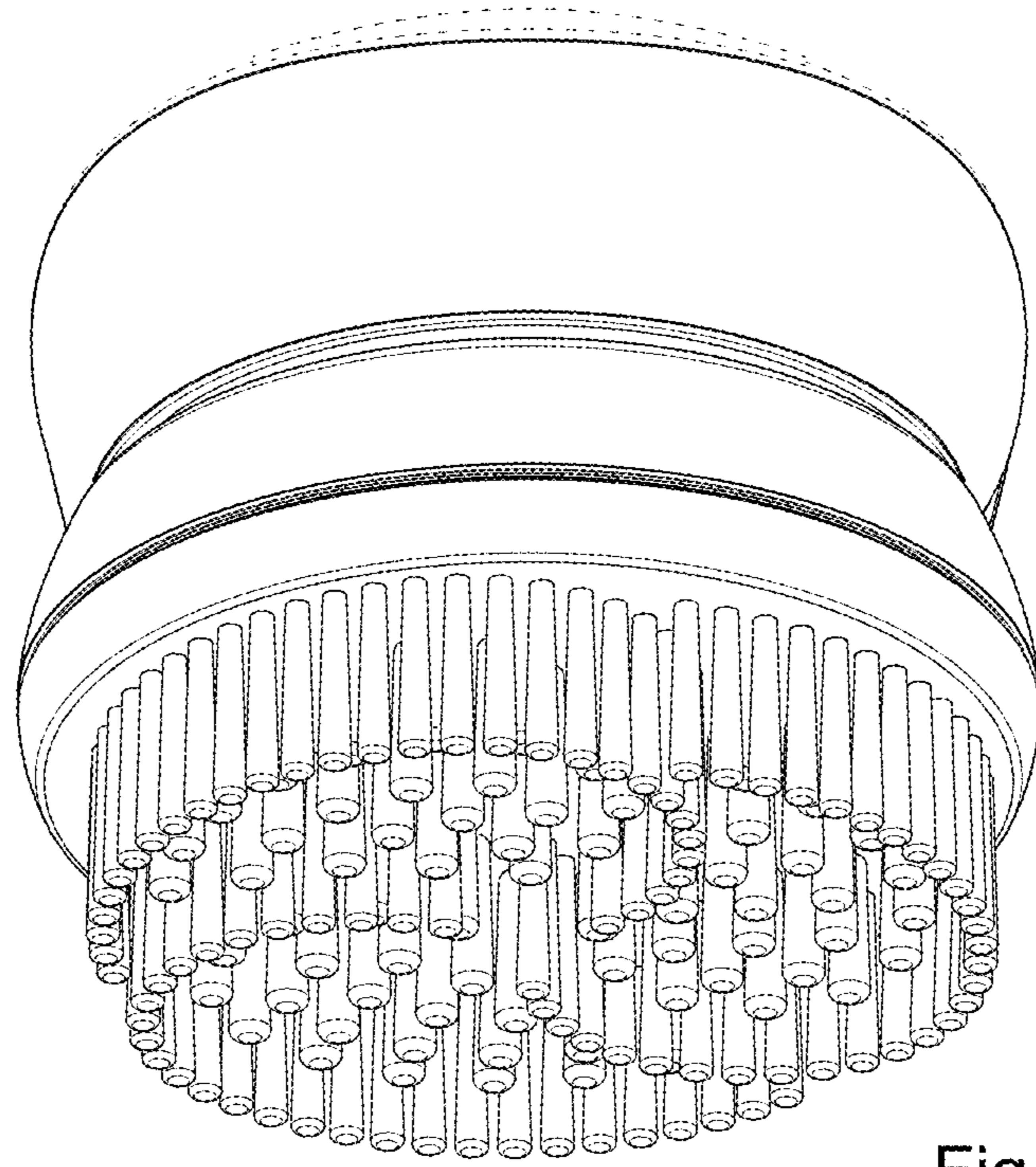


Fig. 6

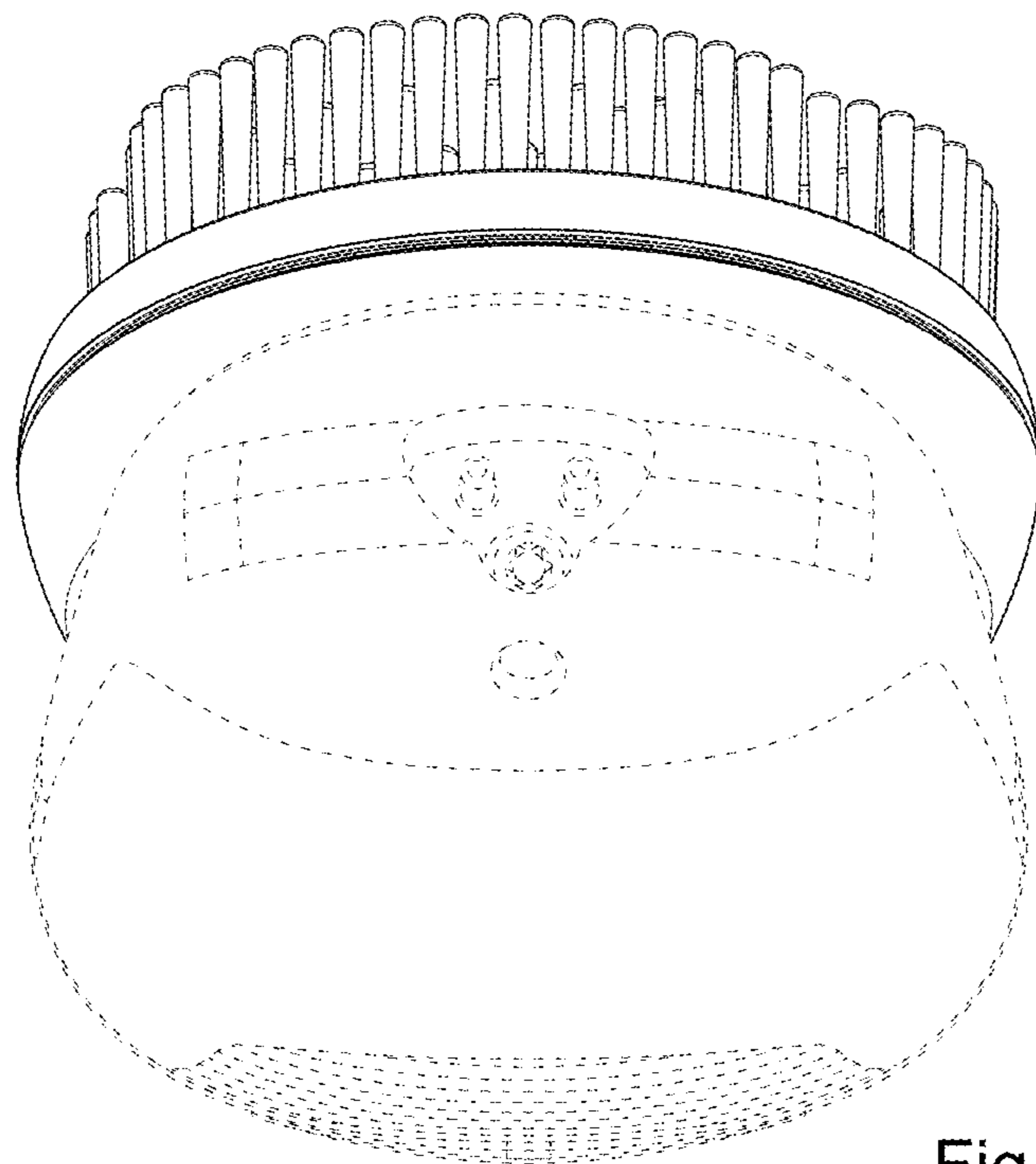


Fig. 7