



US00D768390S

(12) **United States Design Patent** (10) **Patent No.:** **US D768,390 S**
Hill (45) **Date of Patent:** **** Oct. 11, 2016**

(54) **GROUT CLEANING TOOL** 5,913,347 A * 6/1999 Wilen A46B 3/06
15/115
(71) Applicant: **Gator Cleaning Products, LLC,** 6,076,221 A * 6/2000 Bradshaw A46B 7/04
Eugene, OR (US) 15/160
(72) Inventor: **James M. Hill,** Eugene, OR (US) D612,155 S * 3/2010 Falkins D4/102
D656,735 S * 4/2012 Zupan D4/116
D659,503 S * 5/2012 Arvinte D8/90
D672,107 S * 12/2012 Van Landingham, Jr. D32/50
(73) Assignee: **Gator Cleaning Products, LLC,** D672,930 S * 12/2012 Van Landingham, Jr. D32/50
Eugene, OR (US) 2012/0284941 A1* 11/2012 Hill B08B 1/00
15/106

(**) Term: **14 Years**

(21) Appl. No.: **29/507,709**

(22) Filed: **Oct. 30, 2014**

(51) **LOC (10) Cl.** **04-01**

(52) **U.S. Cl.**
USPC **D4/119**

(58) **Field of Classification Search**
USPC D4/114, 118, 119, 120, 138, 199;
D8/15, 16, 19, 62, 90, 101; D24/119,
D24/146, 180, 200; D32/40, 41, 44, 46, 50,
D32/51, 52, 57
CPC A46B 5/00; A46B 5/0004; A46B 5/0016;
A46B 11/00; A46B 11/001; A46B 11/0006;
A46B 2200/304; A46B 2200/3006; A46B
2200/3093; A47L 13/10; A47L 13/16;
A47L 13/20; A47L 13/24; A47L 13/254
See application file for complete search history.

(56) **References Cited**

U.S. PATENT DOCUMENTS

1,817,644 A * 8/1931 Pope A46B 13/06
15/24
D257,521 S * 11/1980 Piero D32/49
D315,975 S * 4/1991 Huang D32/41
D341,427 S * 11/1993 Koll D24/211
5,412,829 A * 5/1995 Hefner A46B 7/02
15/160

OTHER PUBLICATIONS

GroutGator, "Grout Gator", Youtube, <https://www.youtube.com/watch?v=x32N-5jvU54>, May 19, 2013, 3 pages.

* cited by examiner

Primary Examiner — Susan E Krakower
Assistant Examiner — Lisa A Grabenstetter
(74) *Attorney, Agent, or Firm* — Alleman Hall McCoy
Russell & Tuttle LLP

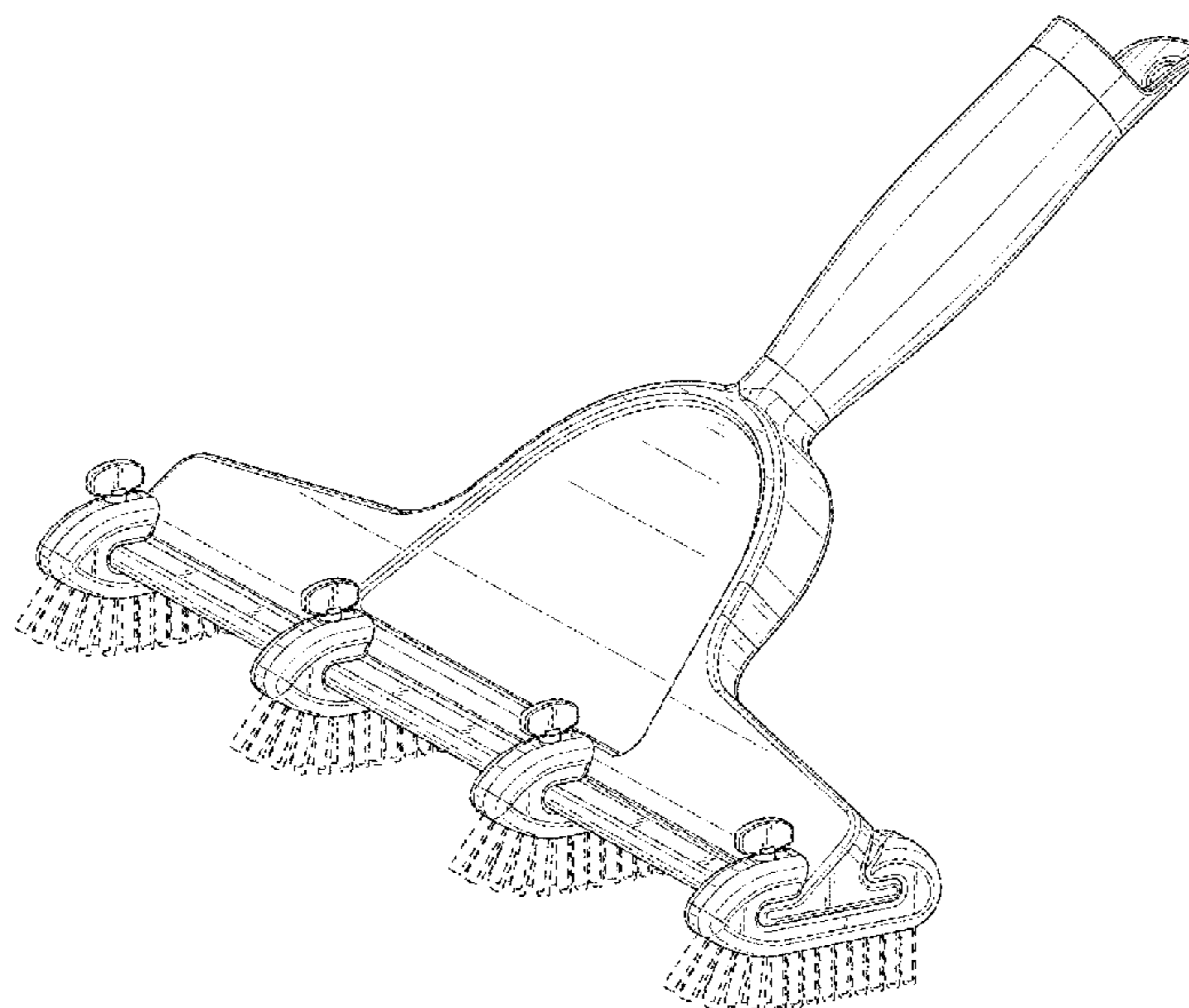
(57) **CLAIM**

The ornamental design for a grout cleaning tool, as shown and described.

DESCRIPTION

FIG. 1 is a front, left, top perspective view of a grout cleaning tool, showing my new design;
FIG. 2 is a front view thereof;
FIG. 3 is a rear view thereof;
FIG. 4 is a right view thereof;
FIG. 5 is a left view thereof;
FIG. 6 is a top view thereof; and,
FIG. 7 is a bottom view thereof.
The broken line portions show unclaimed subject matter only and form no part of the claimed design.

1 Claim, 7 Drawing Sheets



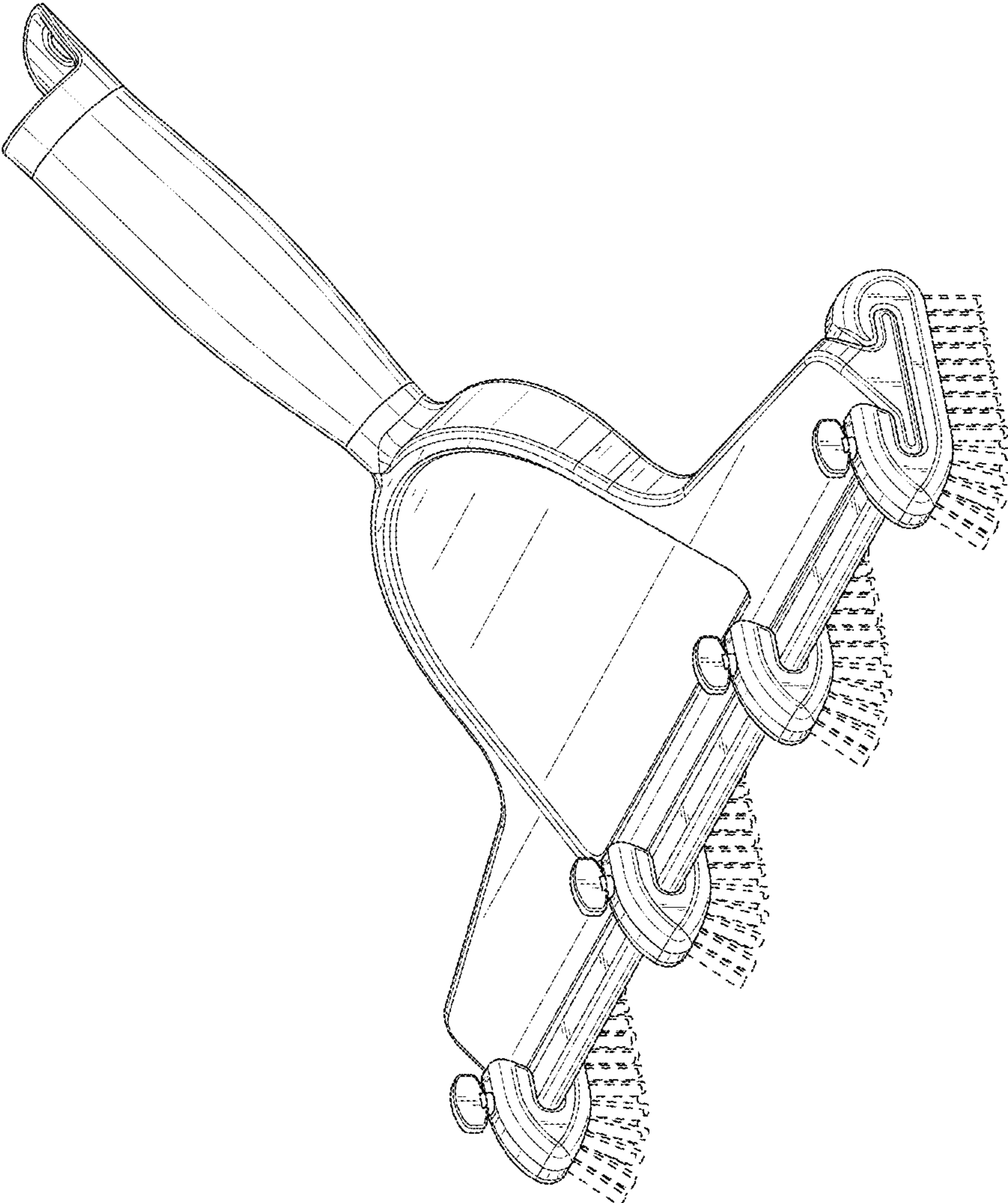


FIG. 1

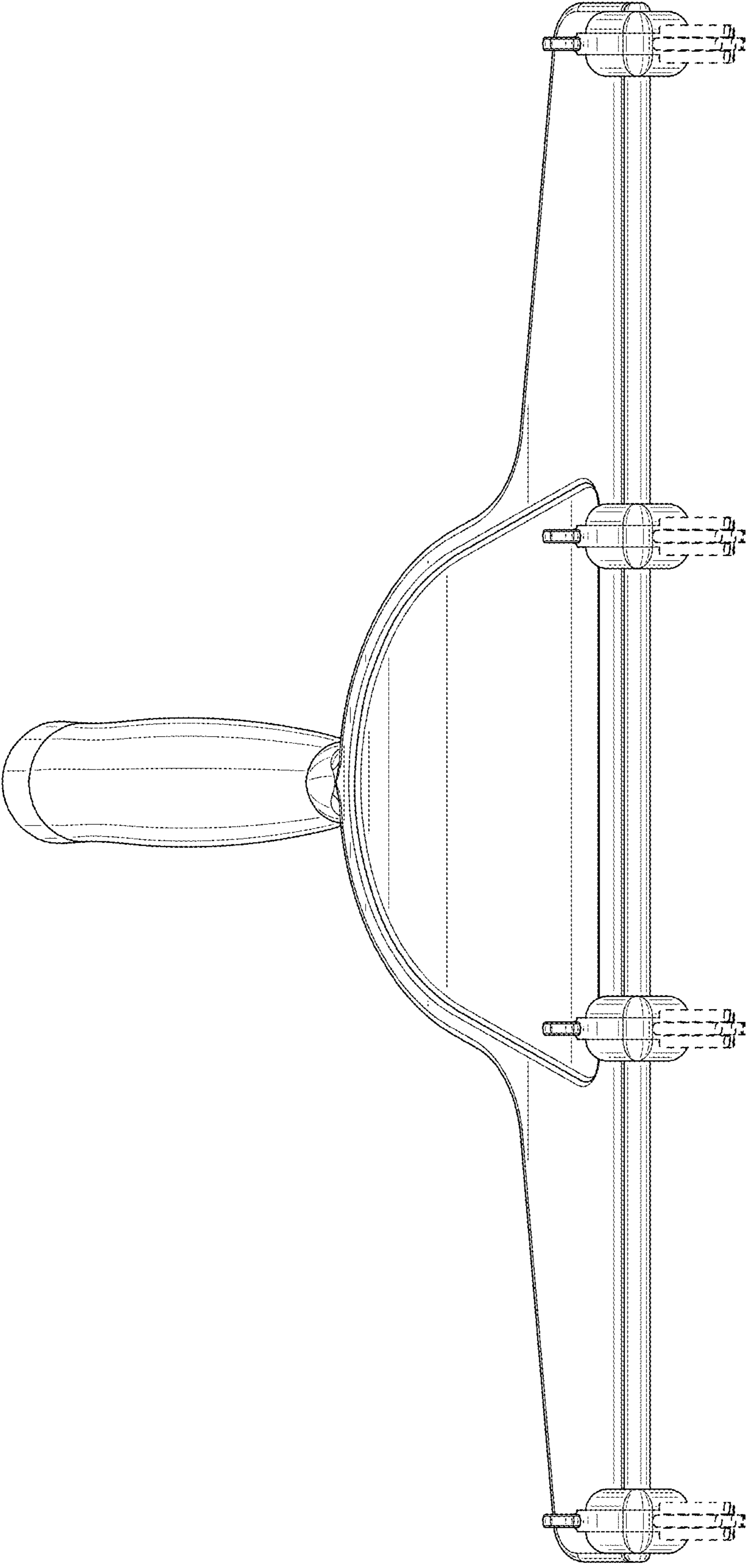


FIG. 2

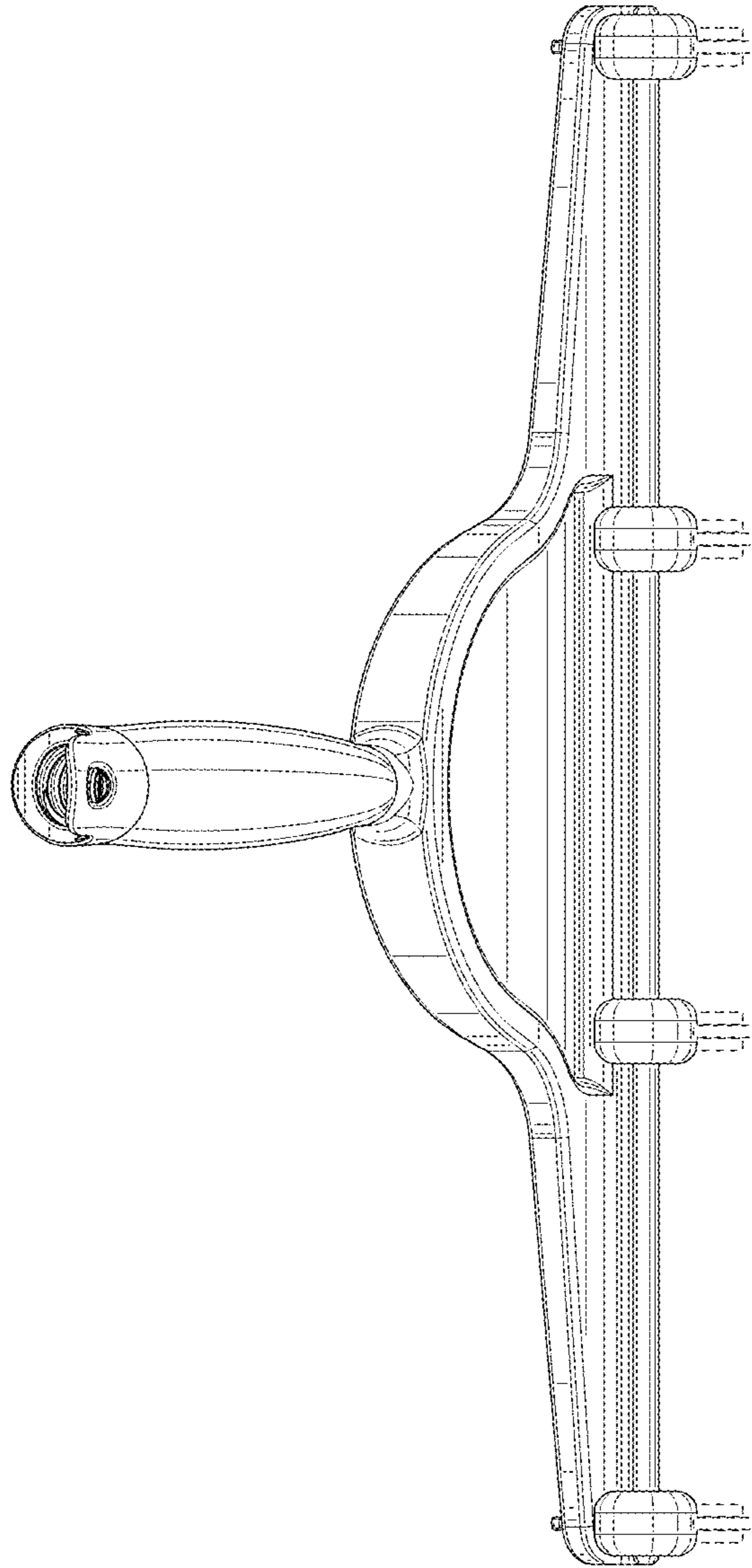


FIG. 3

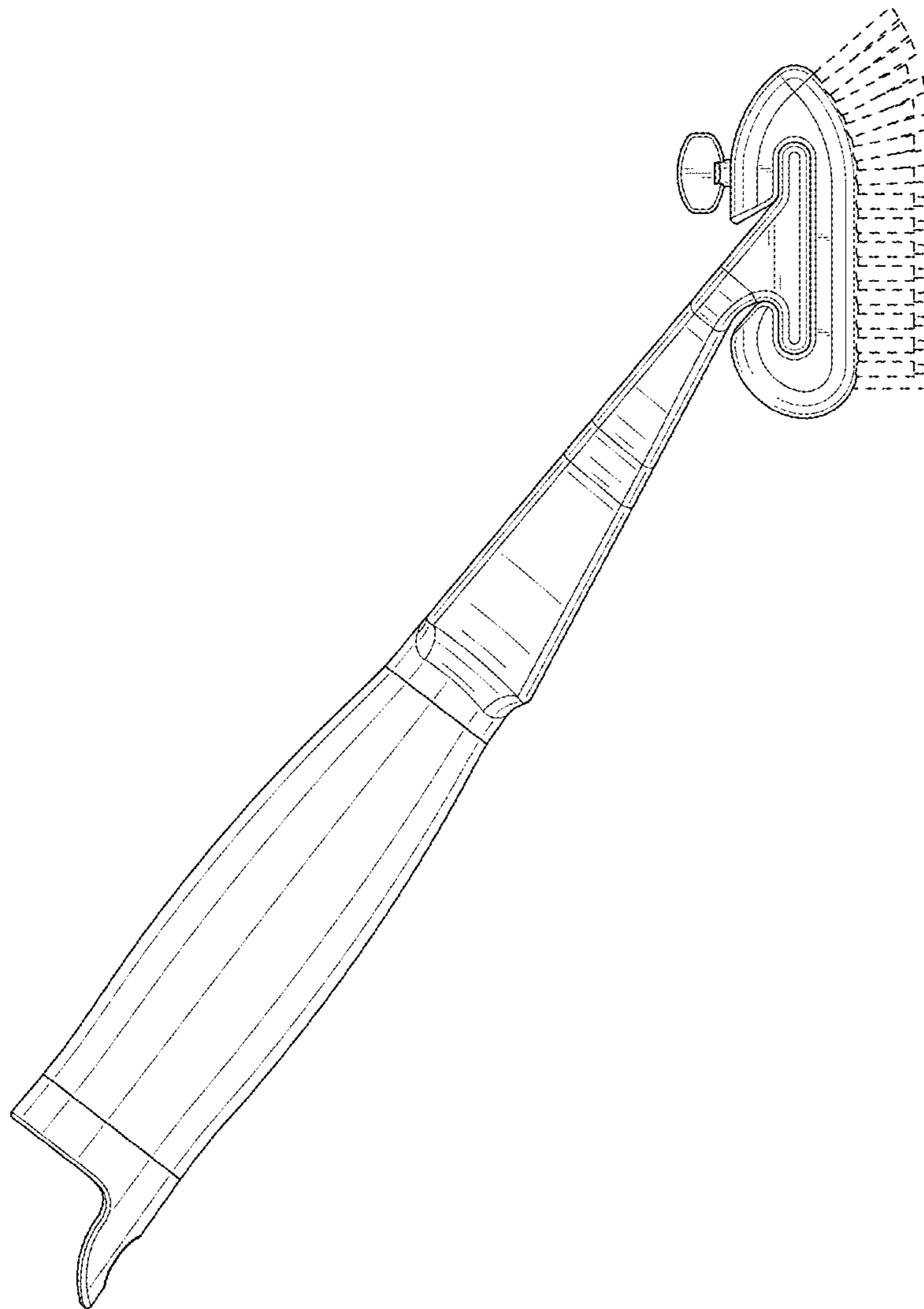


FIG. 4

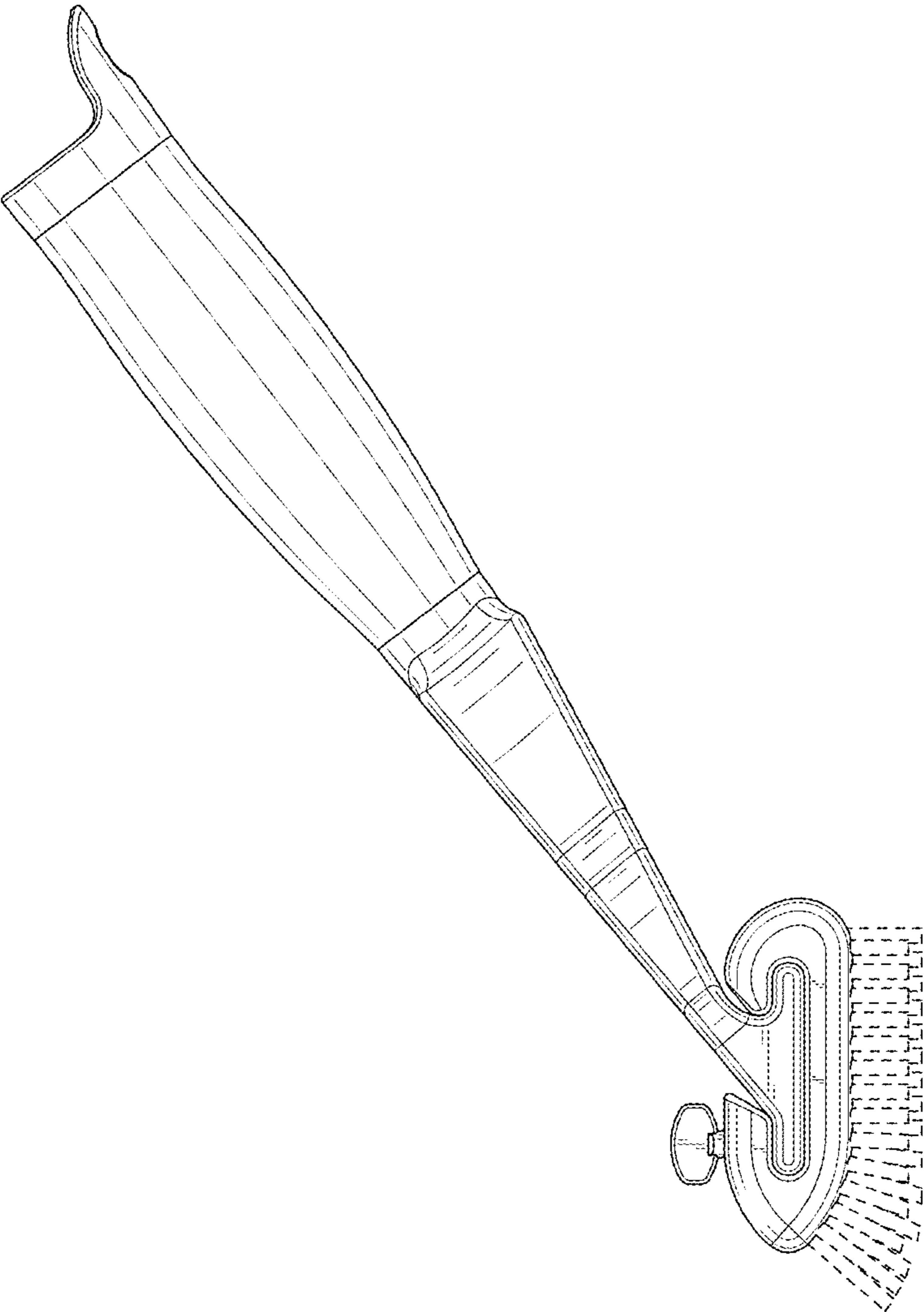


FIG. 5

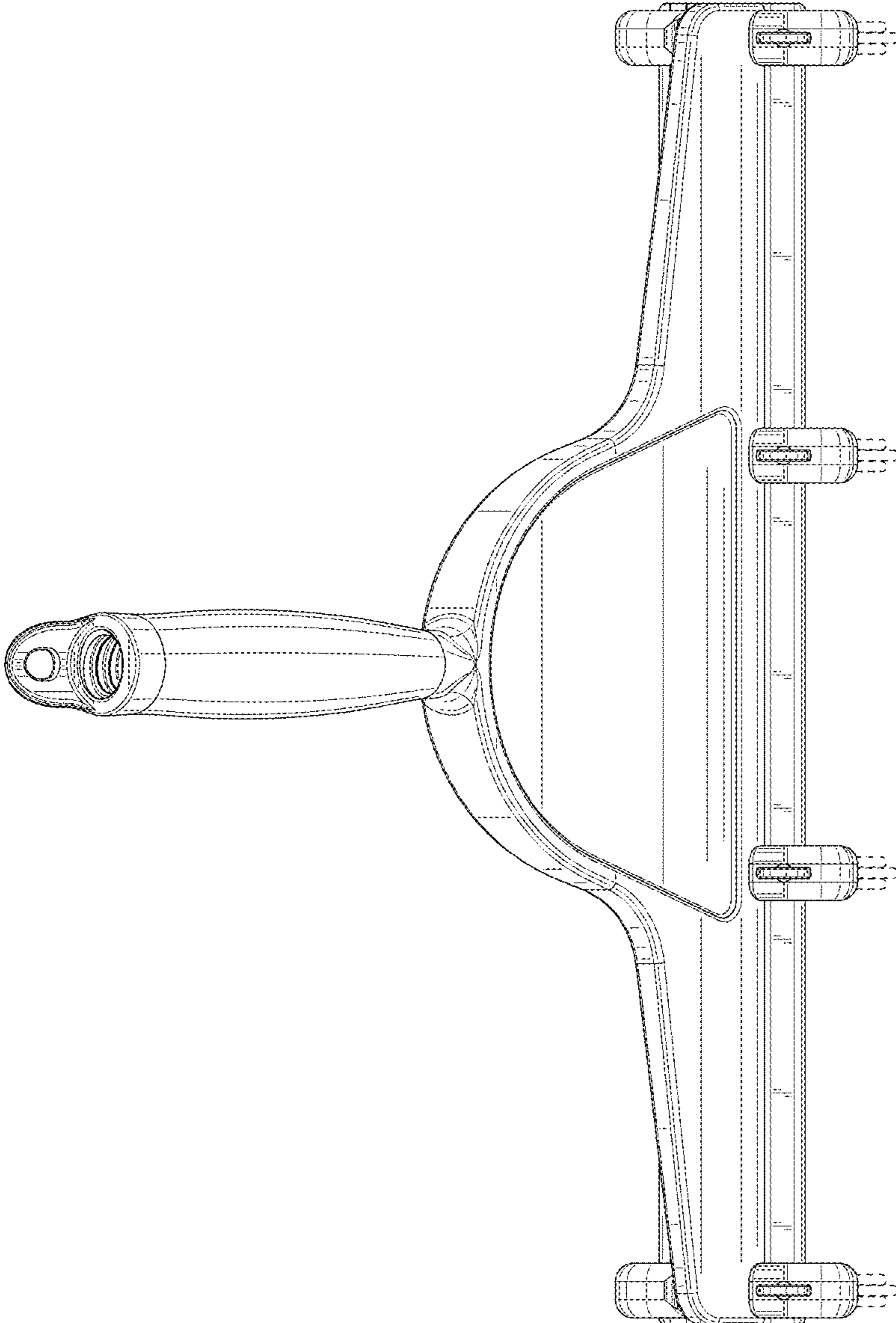


FIG. 6

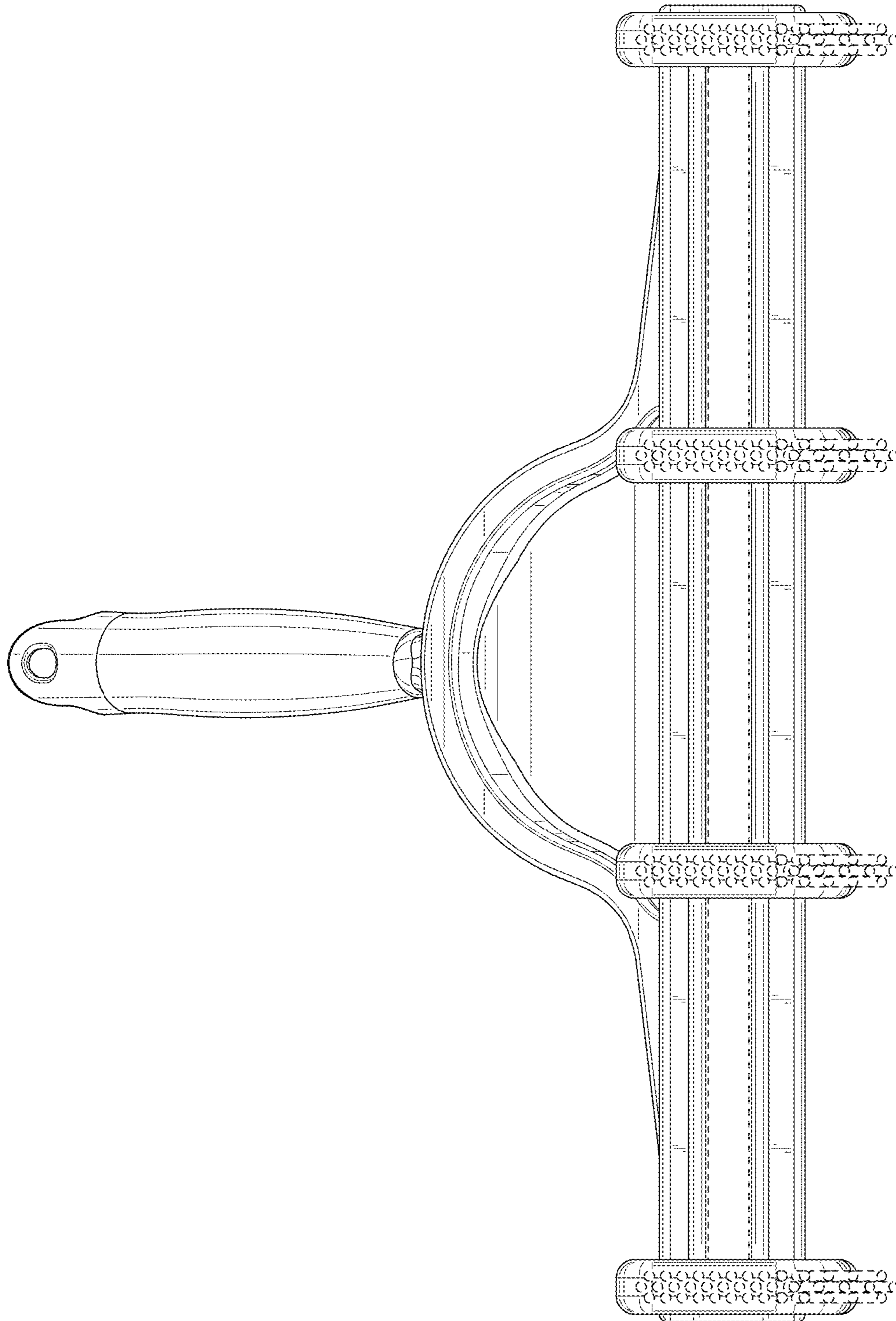


FIG. 7